



US00D562250S

(12) **United States Design Patent**
Ma

(10) **Patent No.:** **US D562,250 S**

(45) **Date of Patent:** **** Feb. 19, 2008**

(54) **ELECTRICAL CONNECTOR**

(75) Inventor: **Wen-Qiang Ma**, ShenZhen (CN)

(73) Assignee: **Hon Hai Precision Ind. Co., Ltd.**,
Taipei Hsien (TW)

(**) Term: **14 Years**

(21) Appl. No.: **29/289,002**

(22) Filed: **Jun. 29, 2007**

(30) **Foreign Application Priority Data**

Dec. 29, 2006 (CN) 2006 3 016679

(51) **LOC (8) Cl.** **13-03**

(52) **U.S. Cl.** **D13/147**

(58) **Field of Classification Search** D13/133,
D13/146-147, 154, 184; D14/432-434,
D14/436, 438; D16/200; 439/64, 79, 159-160,
439/607-610, 629-630, 636, 660
See application file for complete search history.

(56) **References Cited**

U.S. PATENT DOCUMENTS

7,029,308 B2 * 4/2006 Wada 439/330
D524,246 S * 7/2006 Wang et al. D13/147

7,112,083 B2 * 9/2006 Nishio et al. 439/331
7,147,481 B2 * 12/2006 Yang 439/71
D538,747 S * 3/2007 Yang et al. D13/147
D539,745 S * 4/2007 Nishio et al. D13/147
D539,749 S * 4/2007 Yang D13/147
D540,260 S * 4/2007 Yang D13/147
7,241,160 B2 * 7/2007 Yang 439/330

* cited by examiner

Primary Examiner—Daniel Bui

(74) *Attorney, Agent, or Firm*—Wei Te Chung

(57) **CLAIM**

The ornamental design for an electrical connector, as shown.

DESCRIPTION

FIG. 1 is a perspective view of an electrical connector showing my new design;

FIG. 2 is a front elevational view of FIG. 1;

FIG. 3 is a rear elevational view of FIG. 1;

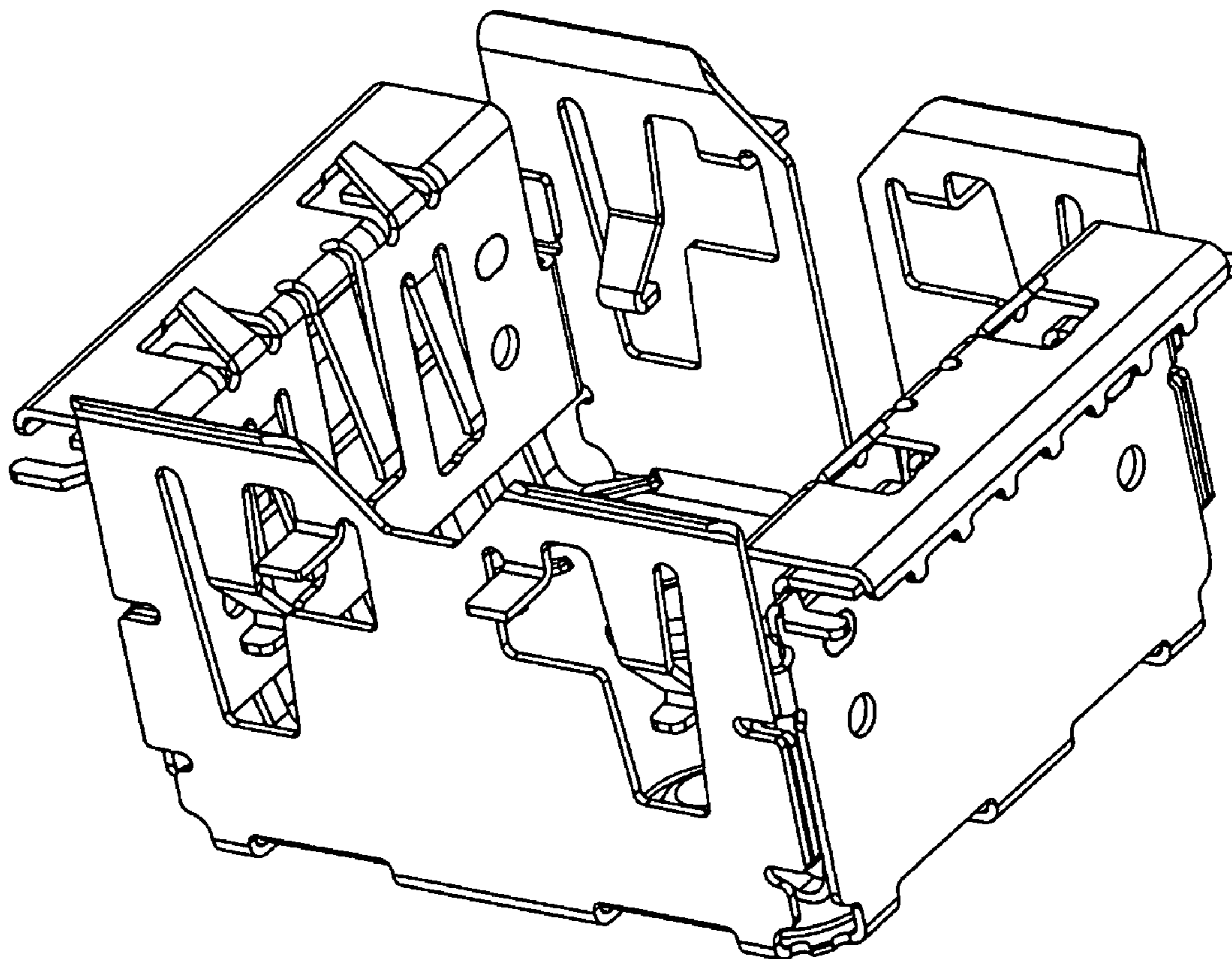
FIG. 4 is a left side elevational view of FIG. 1;

FIG. 5 is a right side elevational view of FIG. 1;

FIG. 6 is a top plan view of FIG. 1; and,

FIG. 7 is a bottom plan view of FIG. 1.

1 Claim, 7 Drawing Sheets



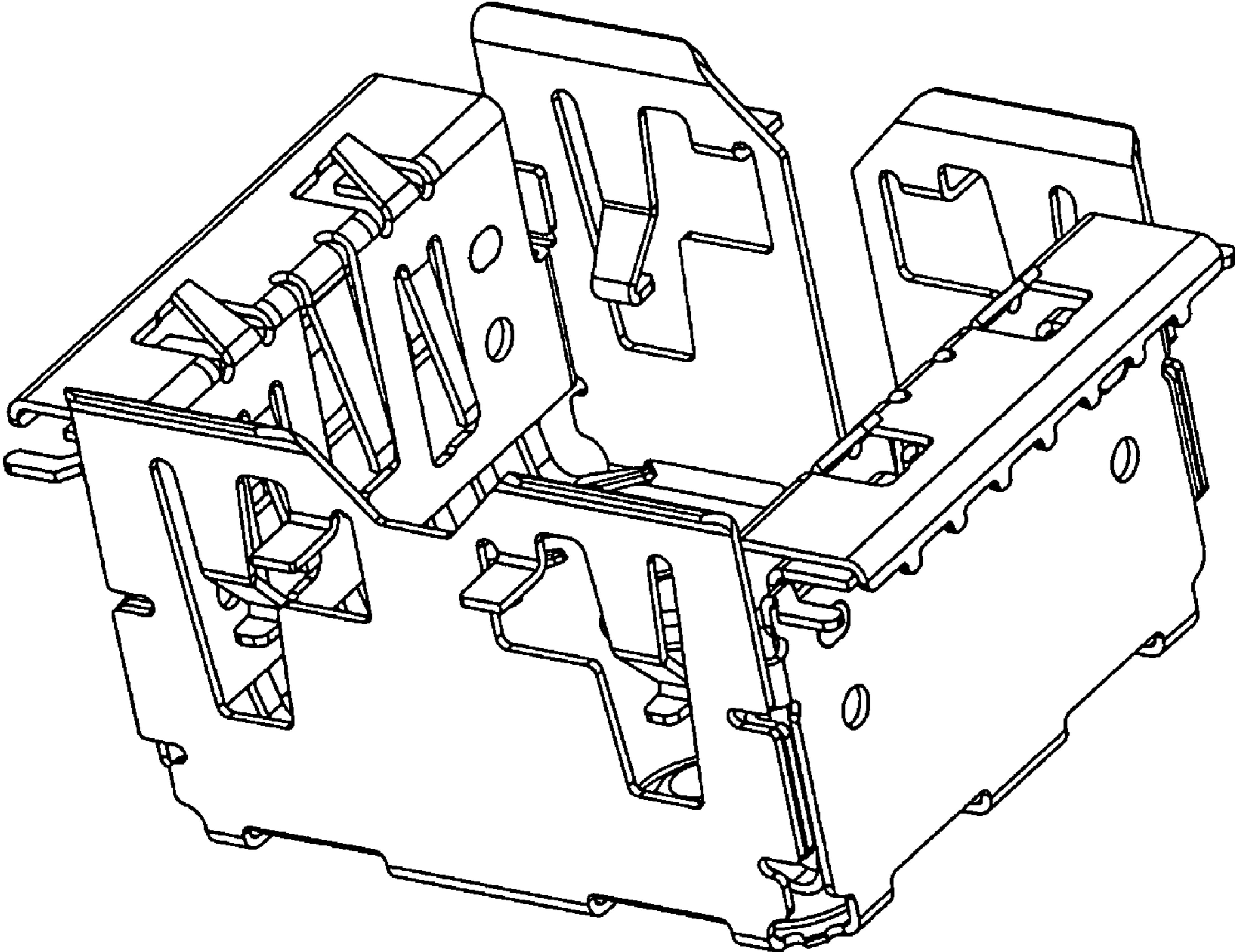


FIG. 1

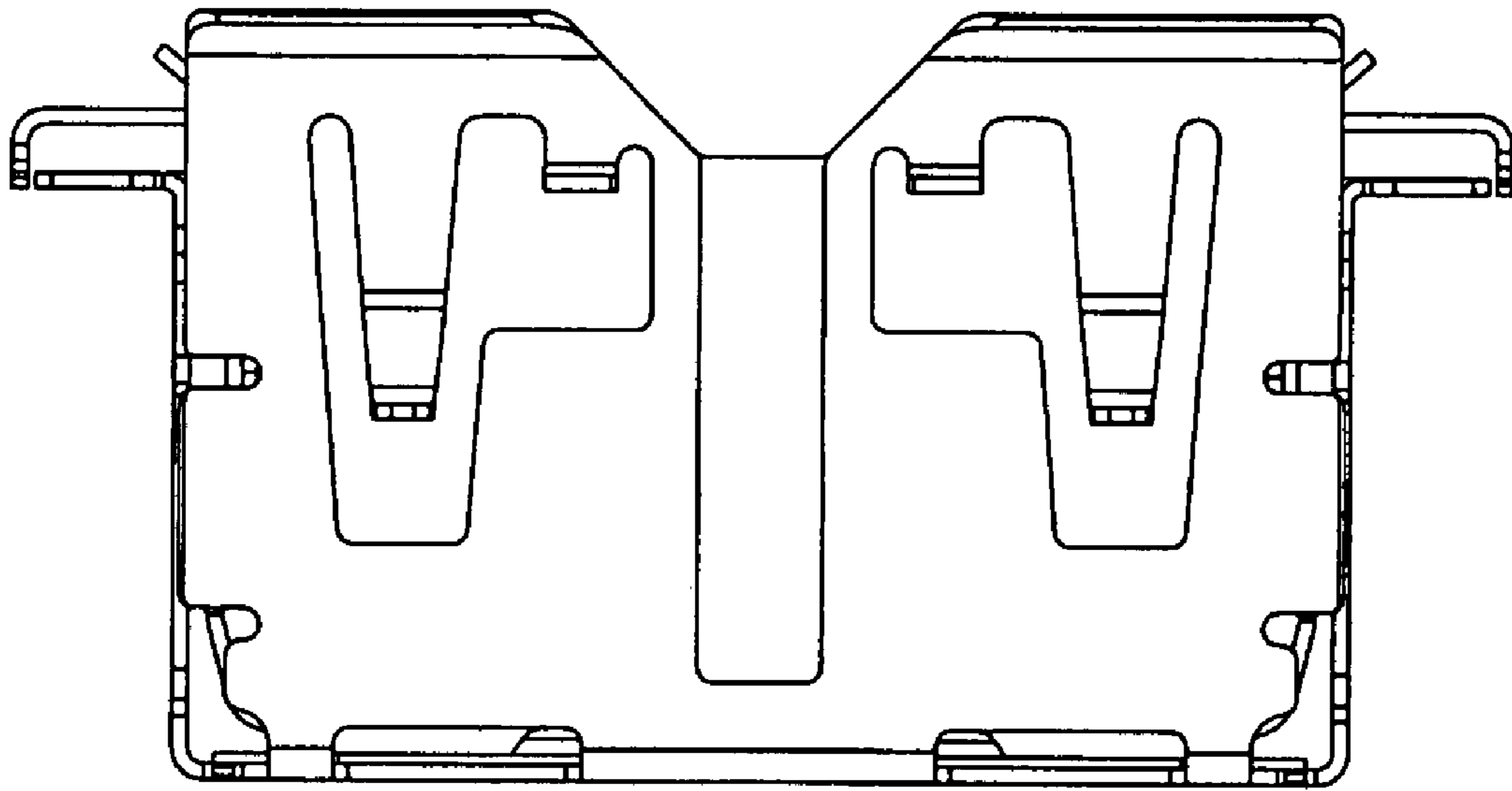


FIG. 2

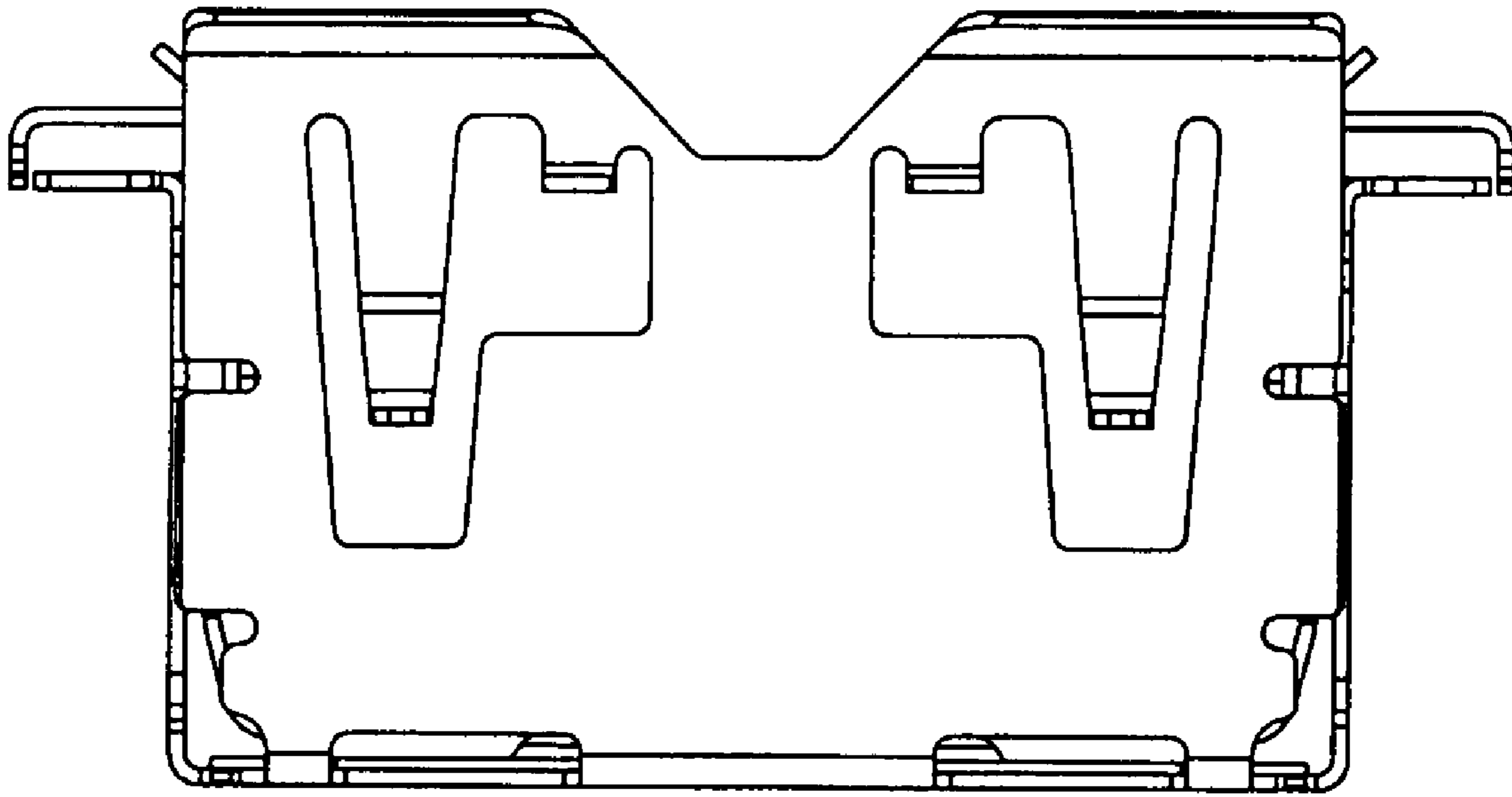


FIG. 3

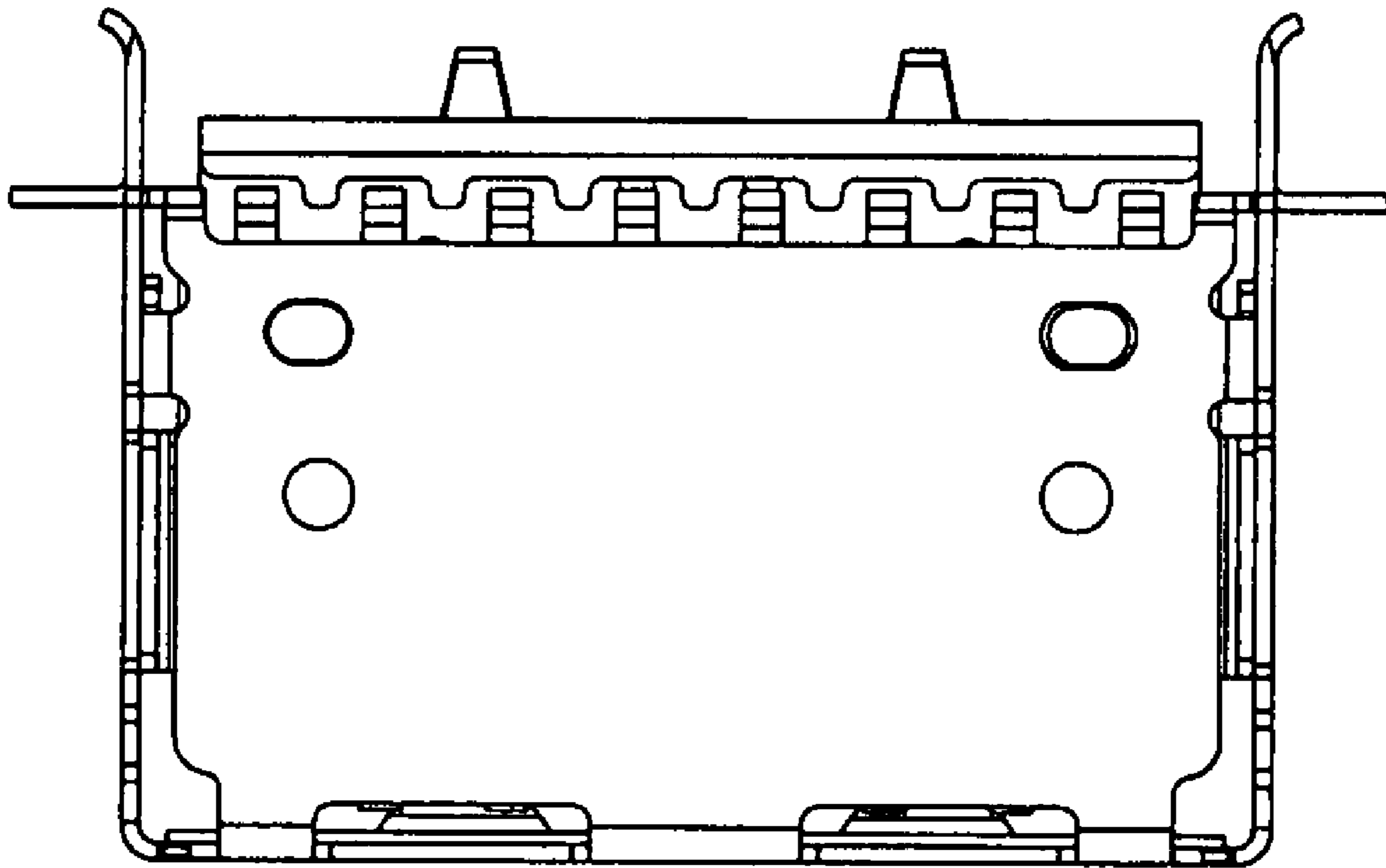


FIG. 4

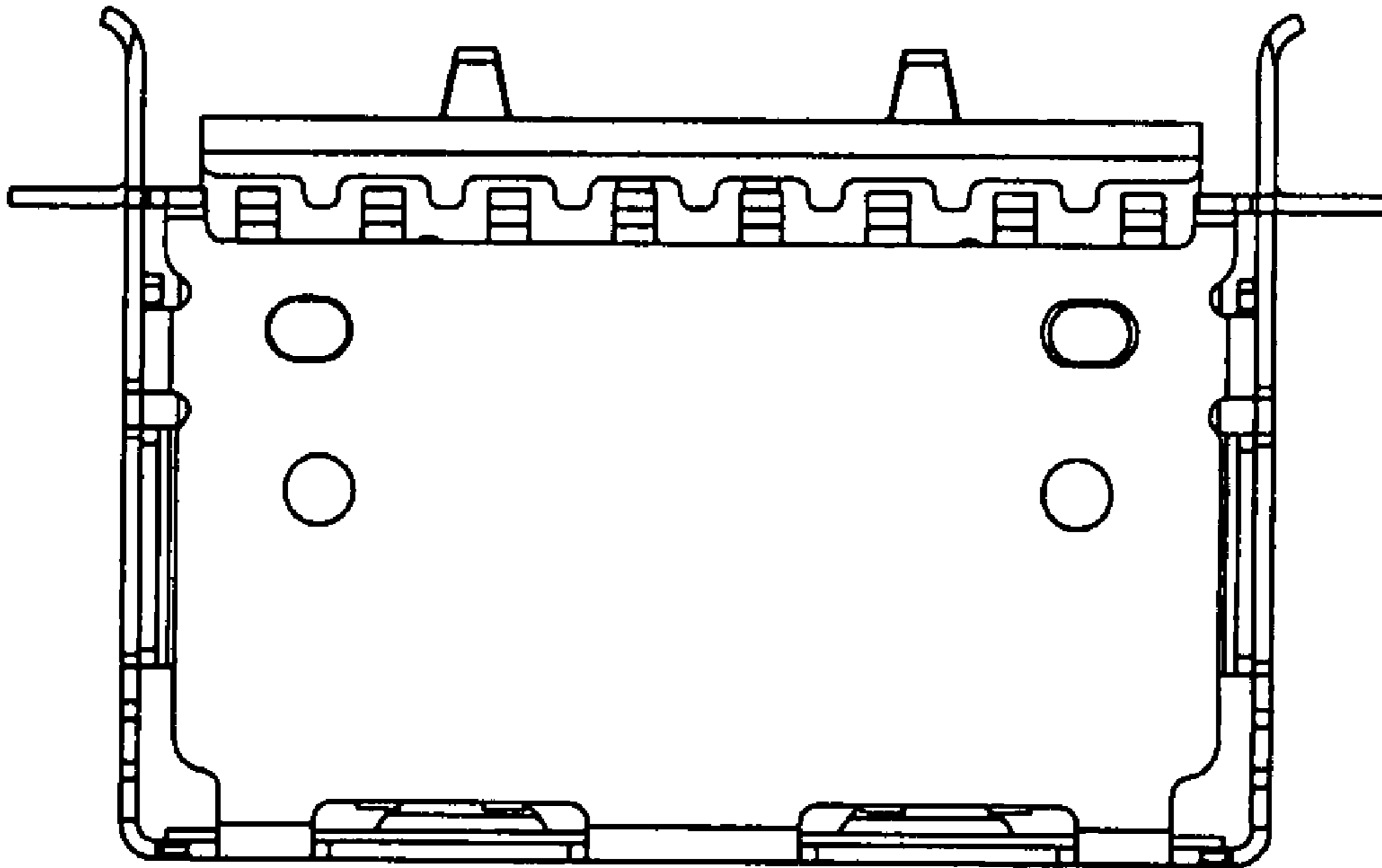


FIG. 5

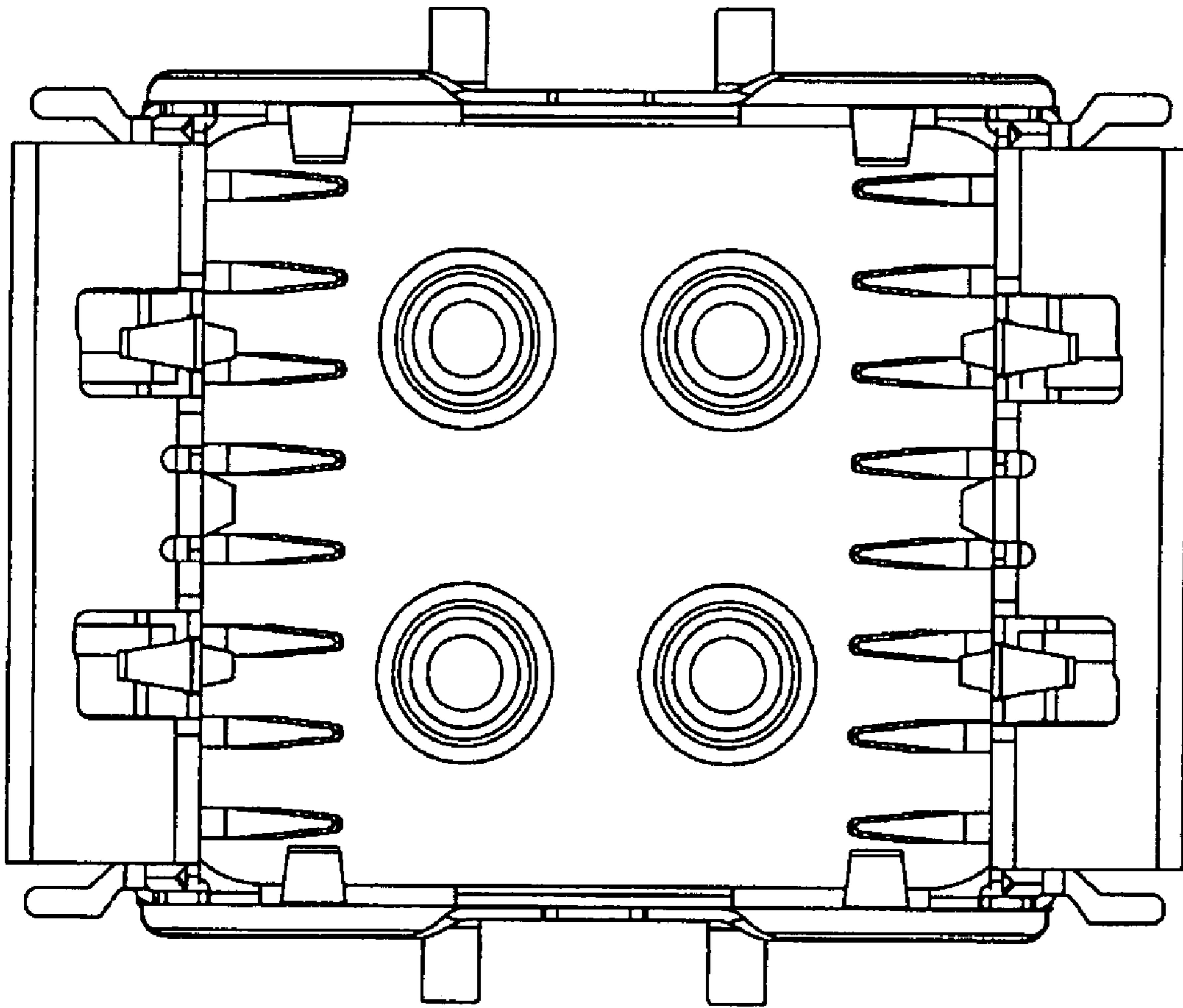


FIG. 6

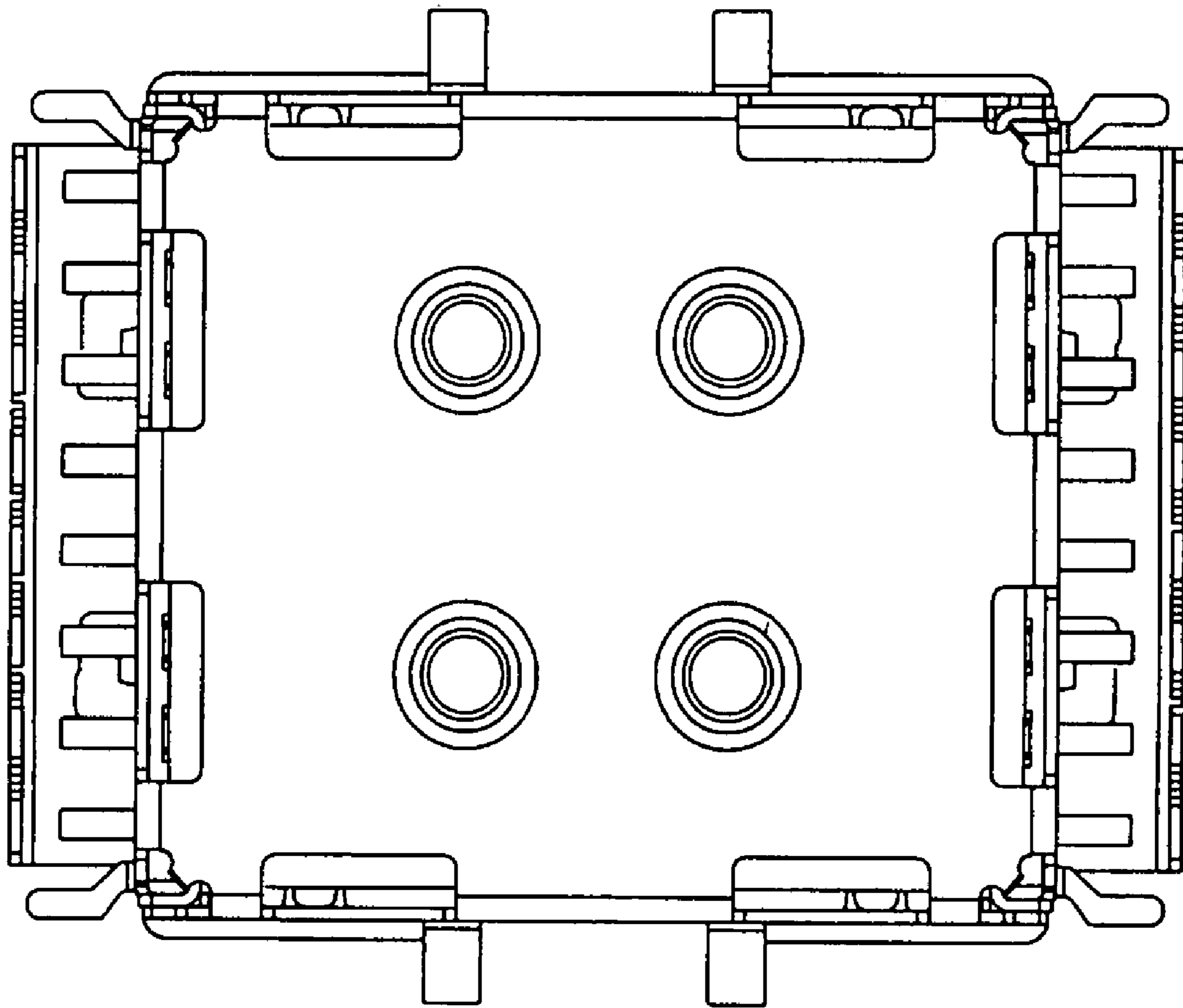


FIG. 7