

US00D562249S

(12) **United States Design Patent**
Howerton et al.

(10) **Patent No.:** **US D562,249 S**

(45) **Date of Patent:** **** Feb. 19, 2008**

(54) **ELECTRICAL CONNECTOR**

(75) Inventors: **Micah Keef Howerton**, Cedar Park, TX (US); **John L. Grant**, Sherborn, MA (US)

(73) Assignee: **AirBorn, Inc.**, Addison, TX (US)

(**) Term: **14 Years**

(21) Appl. No.: **29/284,545**

(22) Filed: **Sep. 11, 2007**

(51) **LOC (8) Cl.** **13-03**

(52) **U.S. Cl.** **D13/147**

(58) **Field of Classification Search** D13/133,
D13/146-147, 154, 184; 439/79, 358, 378,
439/607-610, 620.15, 620.2, 620.22

See application file for complete search history.

(56) **References Cited**

U.S. PATENT DOCUMENTS

D269,673	S	*	7/1983	Johansson et al.	D13/147
D274,719	S	*	7/1984	Casciotti et al.	D13/147
4,679,013	A	*	7/1987	Farrar et al.	333/182
4,824,398	A	*	4/1989	Taylor	439/557
4,889,502	A	*	12/1989	Althouse et al.	439/607
4,906,201	A	*	3/1990	Young et al.	439/108
5,055,070	A	*	10/1991	Plegge et al.	439/609
D328,595	S	*	8/1992	Lou	D14/438
D330,704	S	*	11/1992	Wagner	D14/242
5,190,481	A	*	3/1993	Ju	439/654
D349,100	S	*	7/1994	Lo	D13/147
D411,513	S	*	6/1999	Wu et al.	D13/147

D451,476	S	*	12/2001	Wang et al.	D13/147
D460,050	S	*	7/2002	Haines et al.	D13/147
D552,034	S	*	10/2007	Hobson et al.	D13/133
2001/0031579	A1	*	10/2001	Fujino et al.	439/610
2002/0164903	A1	*	11/2002	Chuang	439/620

OTHER PUBLICATIONS

Airborn, Inc., Airborn Interconnect Series; Microminiature Series, May 2007.

* cited by examiner

Primary Examiner—Daniel Bui

(74) *Attorney, Agent, or Firm*—Locke Lord Bissell & Liddell LLP

(57) **CLAIM**

The ornamental design for an electrical connector, as shown and described.

DESCRIPTION

FIG. 1 is a front perspective view of an electrical connector, showing our new design;

FIG. 2 is a rear perspective view thereof;

FIG. 3 is a side elevational view thereof;

FIG. 4 is a top plan view thereof;

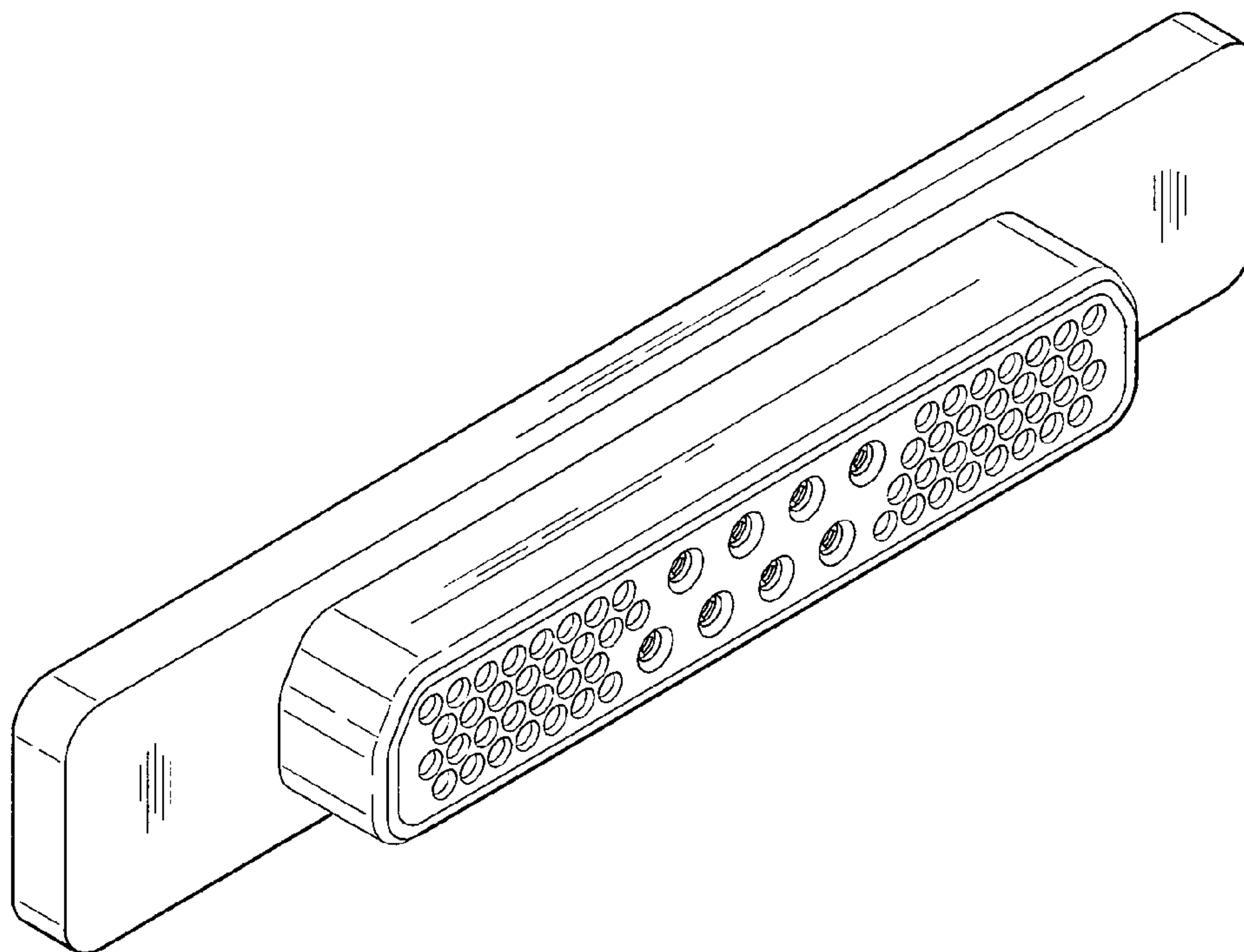
FIG. 5 is a front elevational view thereof;

FIG. 6 is a bottom plan view thereof; and,

FIG. 7 is a rear elevational view thereof.

The broken line showing of the environment is for illustrative purposes only and forms no part of the claimed design.

1 Claim, 2 Drawing Sheets



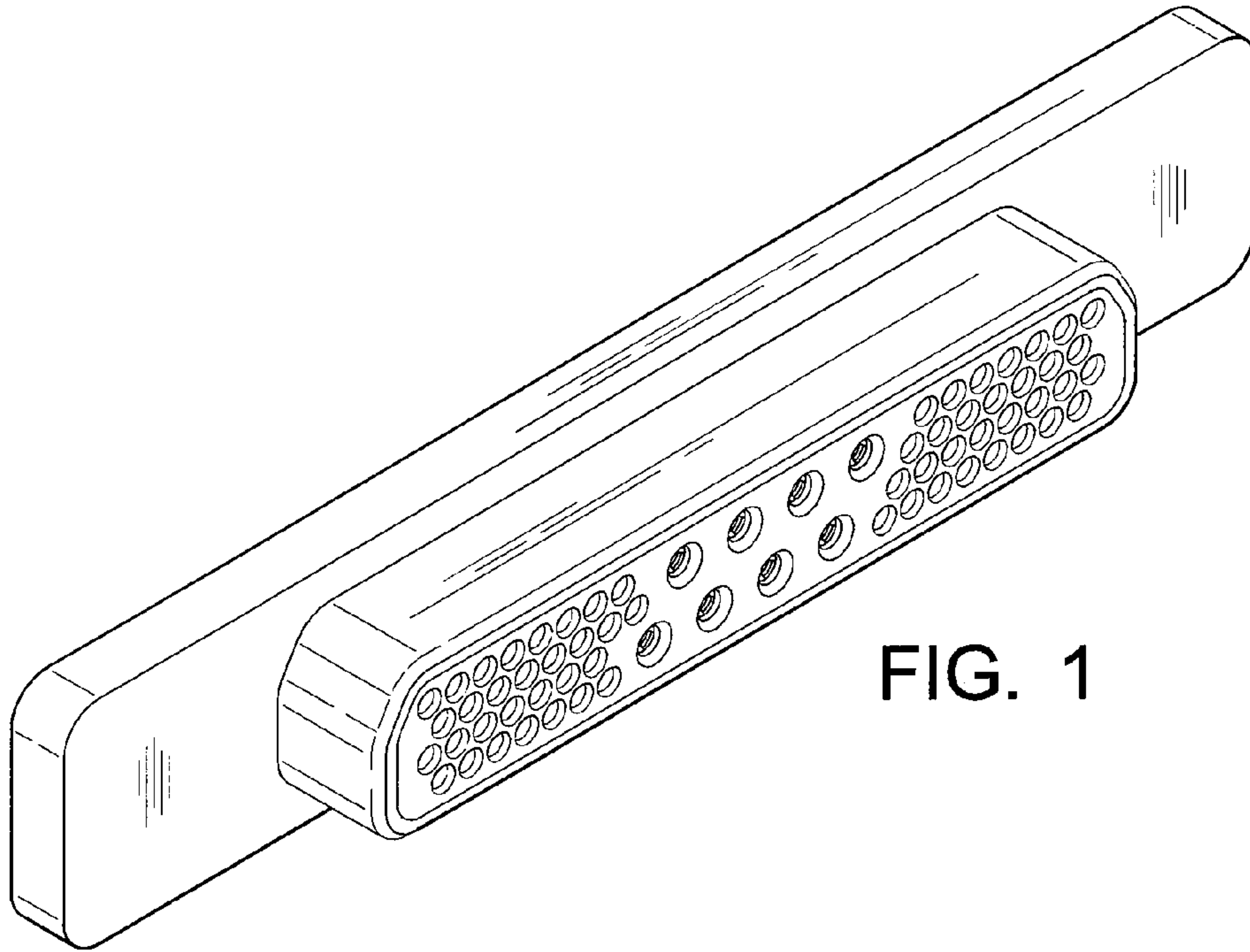


FIG. 1

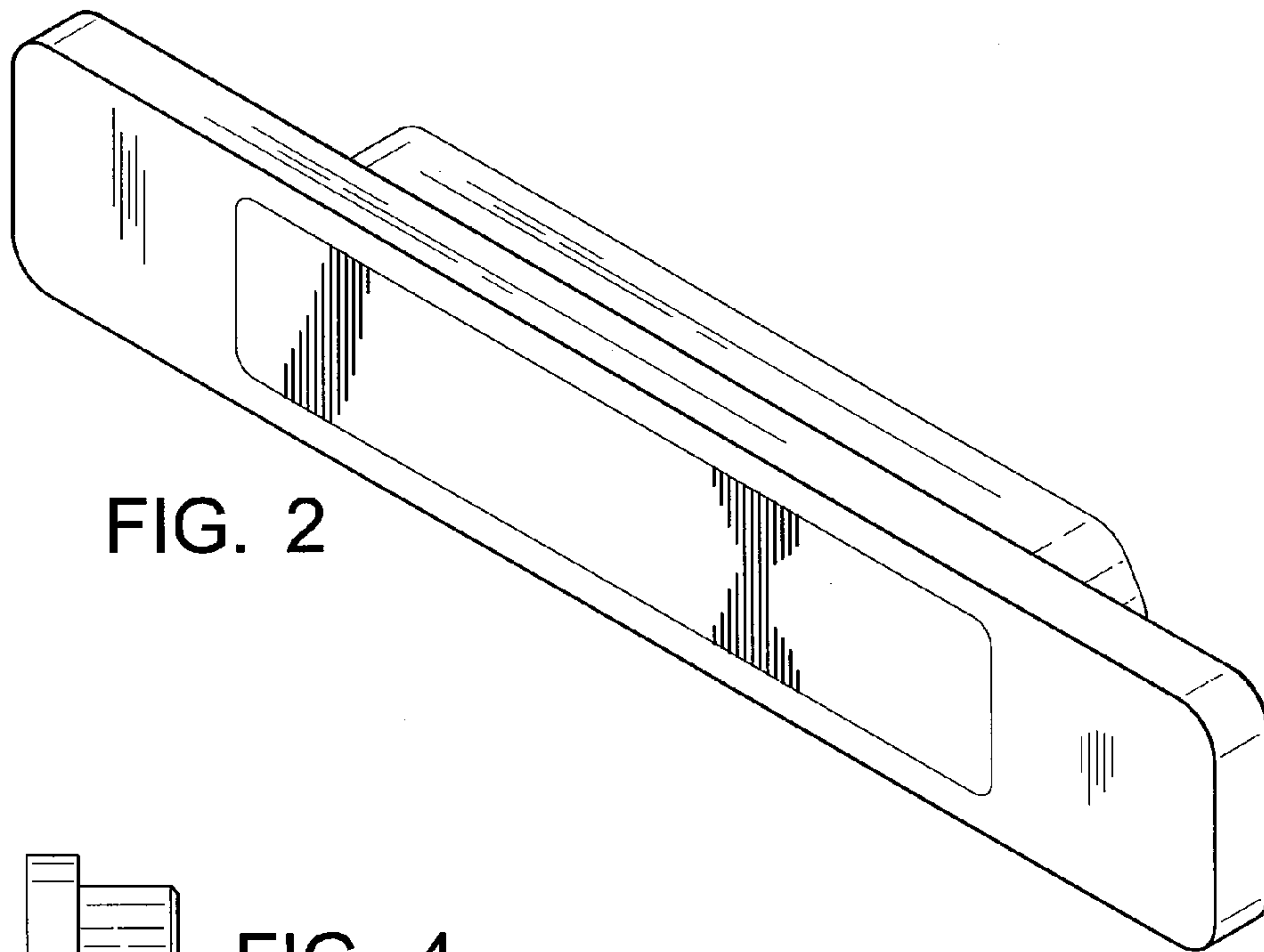


FIG. 2

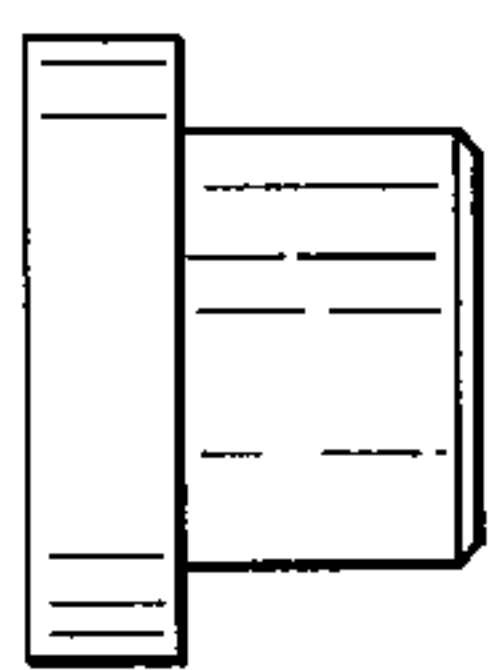


FIG. 4

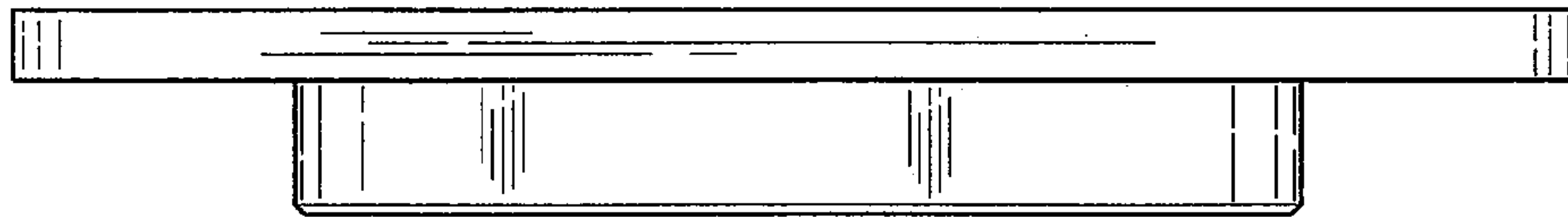


FIG. 6

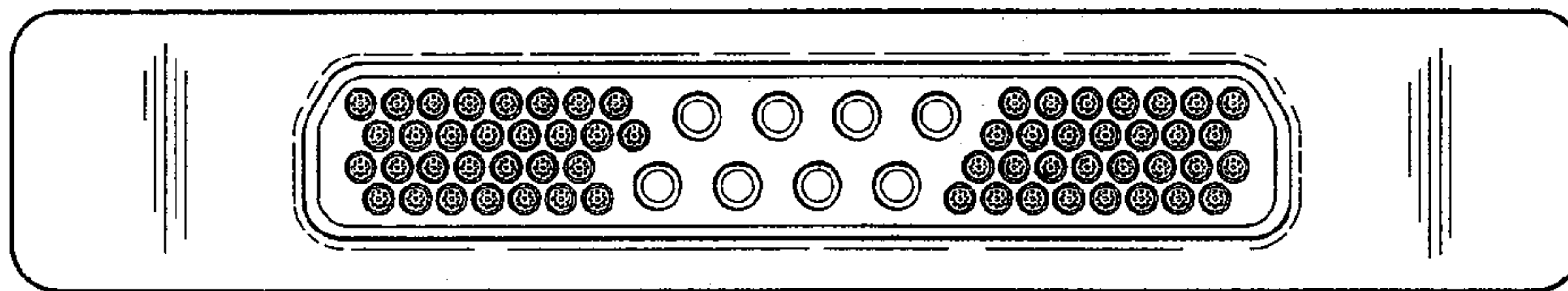


FIG. 5

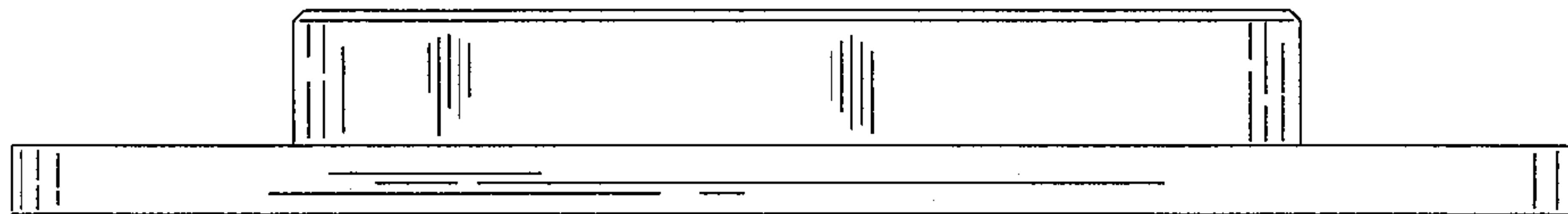


FIG. 7

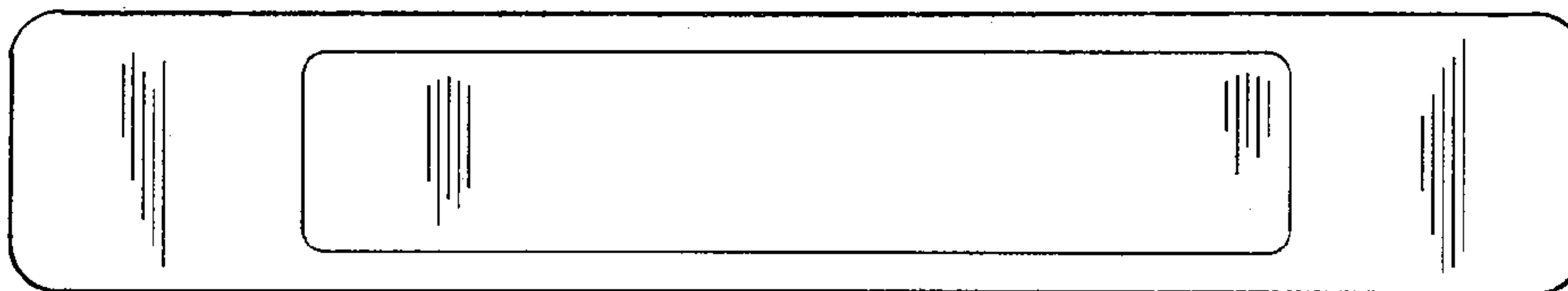


FIG. 3