



US00D562248S

(12) **United States Design Patent**
Howerton et al.

(10) **Patent No.:** **US D562,248 S**

(45) **Date of Patent:** **** Feb. 19, 2008**

(54) **ELECTRICAL CONNECTOR**

(75) Inventors: **Micah Keef Howerton**, Cedar Park, TX (US); **John L. Grant**, Sherborn, MA (US)

(73) Assignee: **AirBorn, Inc.**, Addison, TX (US)

(**) Term: **14 Years**

(21) Appl. No.: **29/284,544**

(22) Filed: **Sep. 11, 2007**

(51) **LOC (8) Cl.** **13-03**

(52) **U.S. Cl.** **D13/147**

(58) **Field of Classification Search** D13/133,
D13/146-147, 154, 184; 439/79, 358, 378,
439/607-610, 620.15, 620.2, 620.22
See application file for complete search history.

(56) **References Cited**

U.S. PATENT DOCUMENTS

| | | | | | | |
|-----------|---|---|---------|------------------|-------|---------|
| D269,673 | S | * | 7/1983 | Johansson et al. | | D13/147 |
| D274,719 | S | * | 7/1984 | Casciotti et al. | | D13/147 |
| 4,679,013 | A | * | 7/1987 | Farrar et al. | | 333/182 |
| 4,824,398 | A | * | 4/1989 | Taylor | | 439/557 |
| 4,889,502 | A | * | 12/1989 | Althouse et al. | | 439/607 |
| 4,906,201 | A | * | 3/1990 | Young et al. | | 439/108 |
| 5,055,070 | A | * | 10/1991 | Plegge et al. | | 439/609 |
| D328,595 | S | * | 8/1992 | Lou | | D14/438 |
| D330,704 | S | * | 11/1992 | Wagner | | D14/242 |
| 5,190,481 | A | * | 3/1993 | Ju | | 439/654 |
| D349,100 | S | * | 7/1994 | Lo | | D13/147 |

| | | | | | | |
|--------------|----|---|---------|---------------|-------|---------|
| D411,513 | S | * | 6/1999 | Wu et al. | | D13/147 |
| D451,476 | S | * | 12/2001 | Wang et al. | | D13/147 |
| D460,050 | S | * | 7/2002 | Haines et al. | | D13/147 |
| D552,034 | S | * | 10/2007 | Hobson et al. | | D13/133 |
| 2001/0031579 | A1 | * | 10/2001 | Fujino et al. | | 439/610 |
| 2002/0164903 | A1 | * | 11/2002 | Chunag | | 439/620 |

OTHER PUBLICATIONS

Airborn, Inc., Airborn Interconnect Series; Microminature Series, May 2007.

* cited by examiner

Primary Examiner—Daniel Bui

(74) *Attorney, Agent, or Firm*—Locke Lord Bissell & Liddell LLP

(57) **CLAIM**

The ornamental design for an electrical connector, as shown and described.

DESCRIPTION

FIG. 1 is a front perspective view of an electrical connector showing our new design;

FIG. 2 is a rear perspective view thereof;

FIG. 3 is a side elevational view thereof;

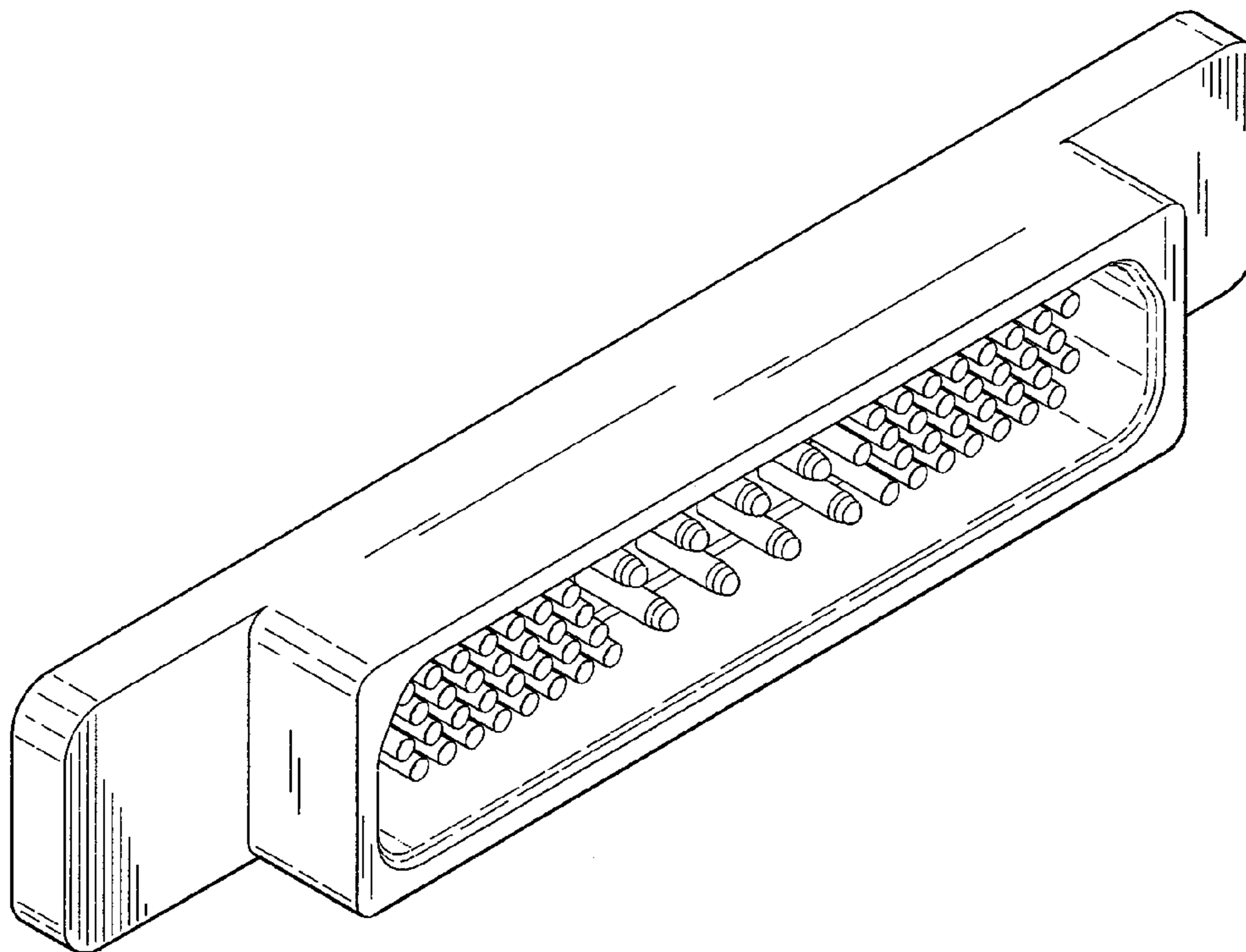
FIG. 4 is a top plan view thereof;

FIG. 5 is a front elevational view thereof;

FIG. 6 is a bottom plan view thereof; and,

FIG. 7 is a rear elevational view thereof.

1 Claim, 2 Drawing Sheets



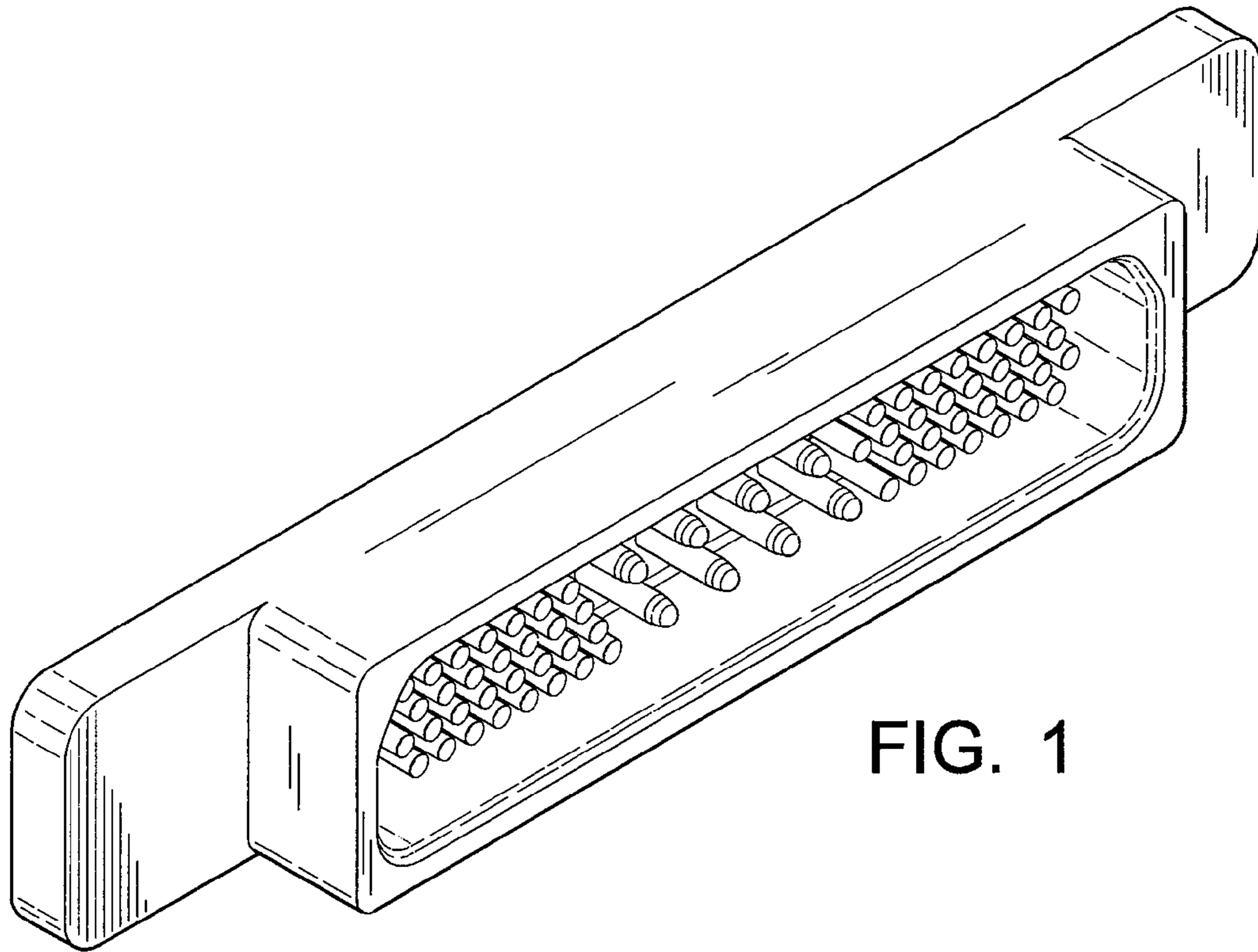


FIG. 1

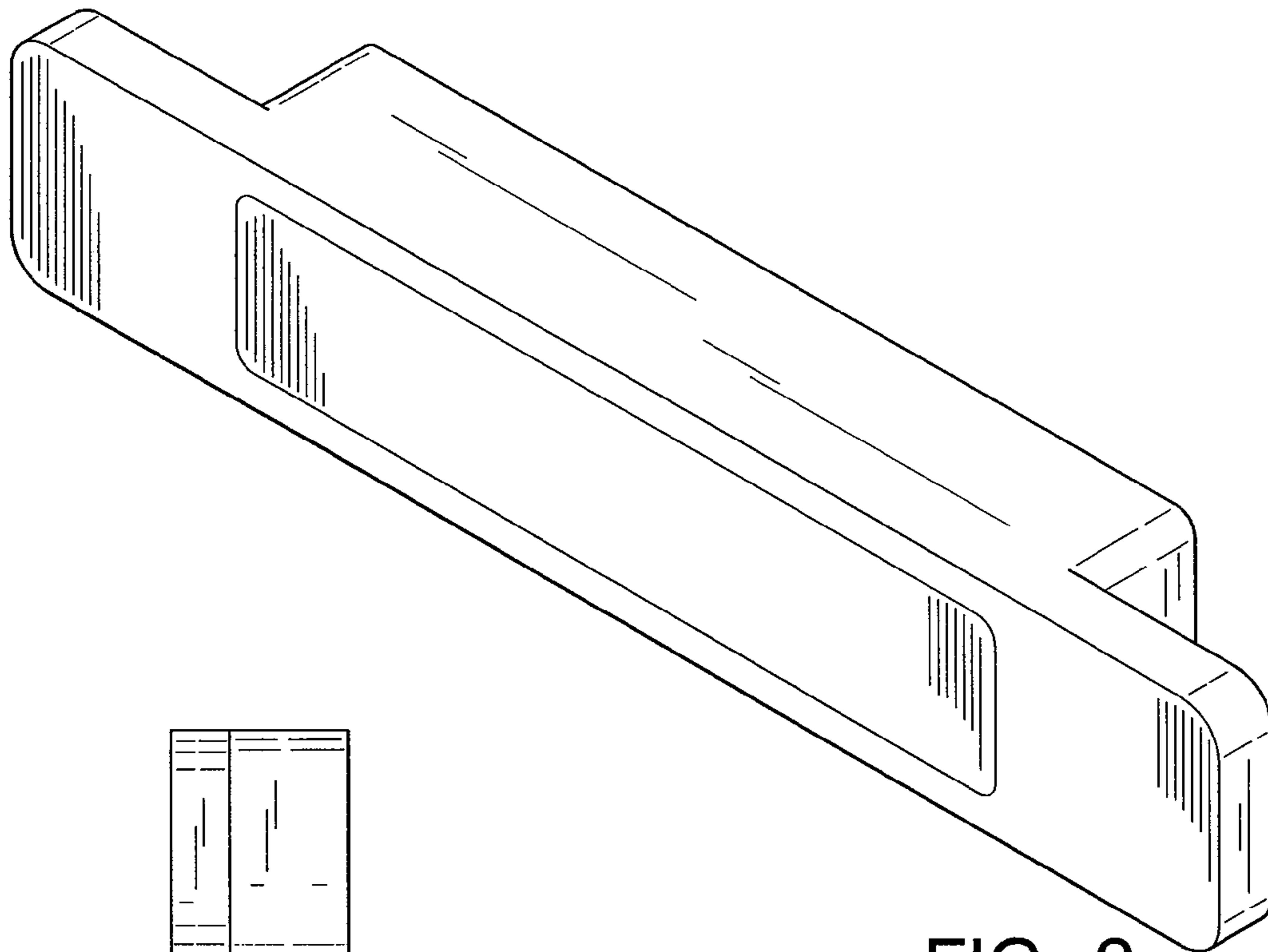


FIG. 2



FIG. 3

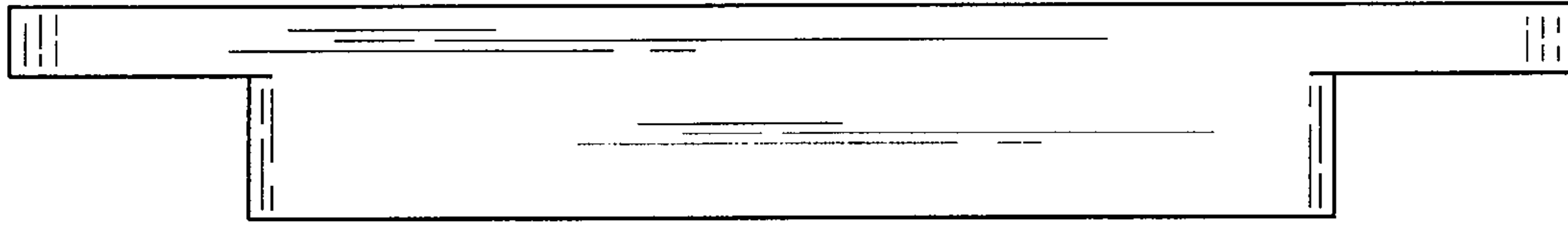


FIG. 4

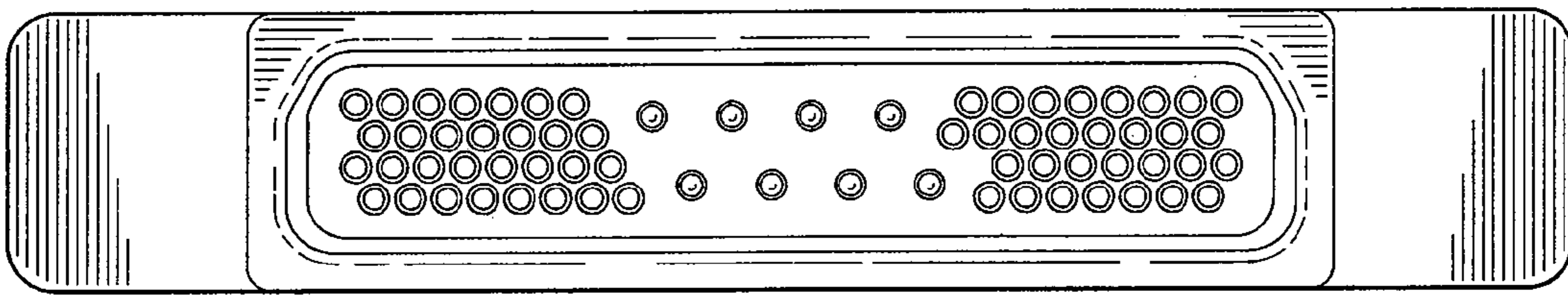


FIG. 5

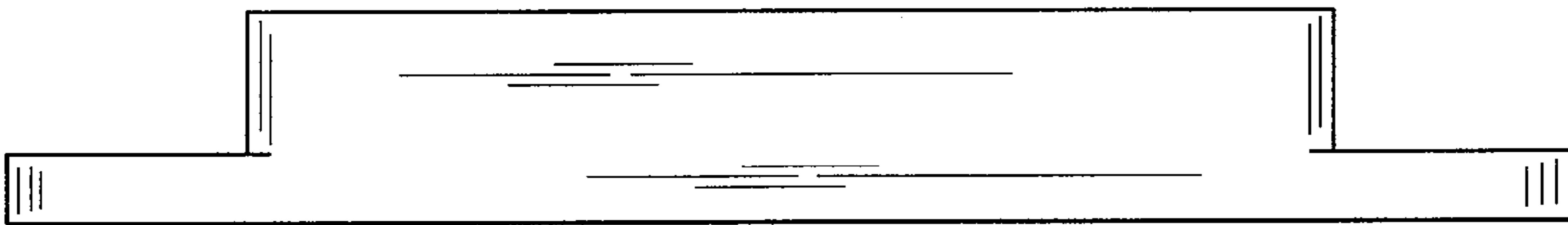


FIG. 6

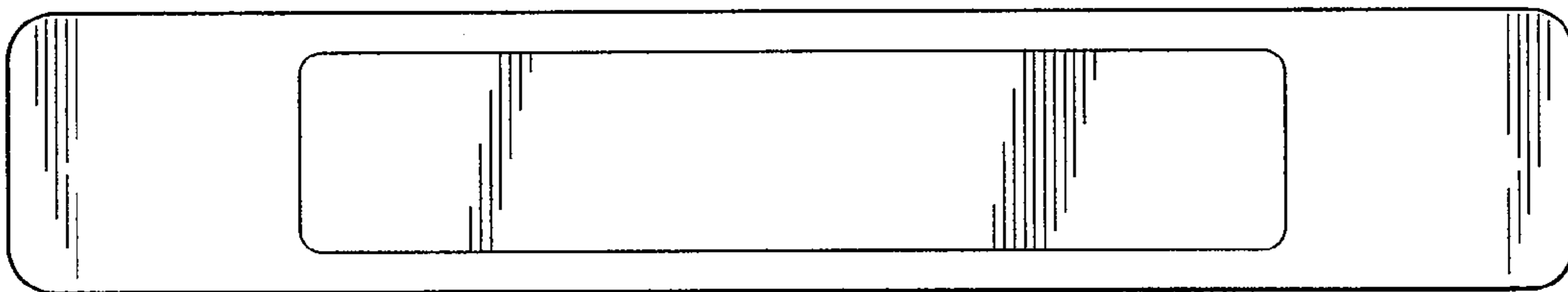


FIG. 7