



US00D562247S

(12) **United States Design Patent**
Matsuzaki et al.

(10) **Patent No.:** **US D562,247 S**

(45) **Date of Patent:** **** Feb. 19, 2008**

(54) **ELECTRICAL CONNECTOR**

(75) Inventors: **Shinichi Matsuzaki**, Kawasaki (JP);
Hitoshi Suzuki, Kawasaki (JP)

(73) Assignee: **Iriso Electronics Co., Ltd.**, Kanagawa
(JP)

(**) Term: **14 Years**

(21) Appl. No.: **29/277,695**

(22) Filed: **Mar. 7, 2007**

(30) **Foreign Application Priority Data**

Sep. 7, 2006 (JP) 2006-023944

(51) **LOC (8) Cl.** **13-03**

(52) **U.S. Cl.** **D13/147**

(58) **Field of Classification Search** D13/133,
D13/146-147, 154, 184; D14/432-433,
D14/435-436, 438; 439/64, 79, 108, 260,
439/159-160, 325-326, 329, 394-395, 607-610,
439/629-630

See application file for complete search history.

(56) **References Cited**

U.S. PATENT DOCUMENTS

5,961,347 A * 10/1999 Hsu 439/570
D501,829 S * 2/2005 Kimura et al. D13/147

D506,443 S * 6/2005 Moritake D13/147
D506,730 S * 6/2005 Ura D13/147
D516,516 S * 3/2006 Shimizu et al. D13/147
D518,443 S * 4/2006 Kawahara et al. D13/147
D518,445 S * 4/2006 Fan D13/147
7,179,094 B2 * 2/2007 Kawahara et al. 439/74

* cited by examiner

Primary Examiner—Daniel Bui

(74) *Attorney, Agent, or Firm*—Lowe Hauptman Ham &
Berner LLP

(57) **CLAIM**

The ornamental design for an electrical connector, as shown
and described.

DESCRIPTION

FIG. 1 is a perspective view of an electrical connector
showing our new design;

FIG. 2 is a front elevation view thereof;

FIG. 3 is a right side view thereof, the left side view being
a mirror image thereto;

FIG. 4 is a top plan view thereof;

FIG. 5 is a bottom plan view thereof; and,

FIG. 6 is a cross sectional view thereof, taken along line
“6—6” in FIG. 2.

1 Claim, 3 Drawing Sheets

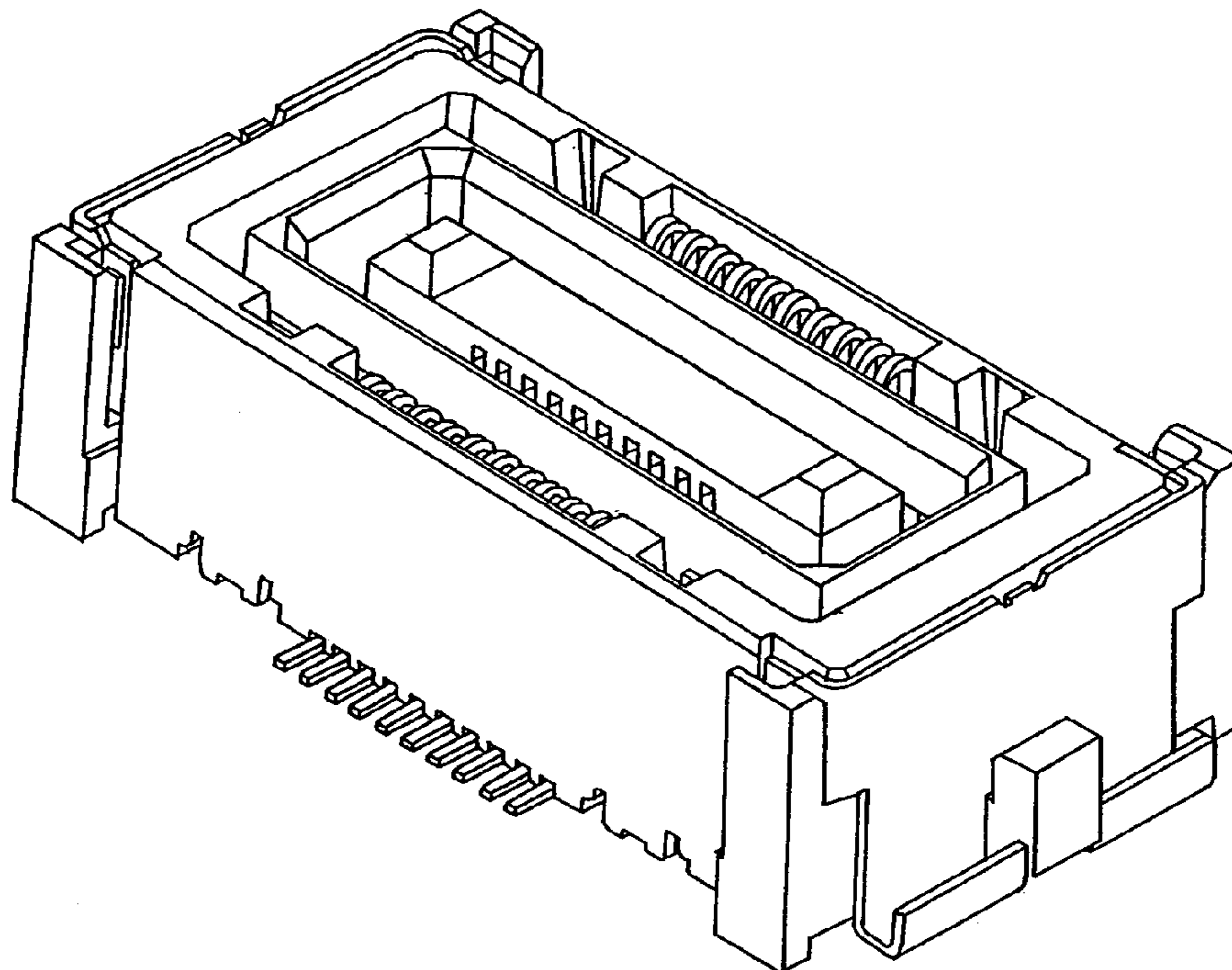


FIG. 1

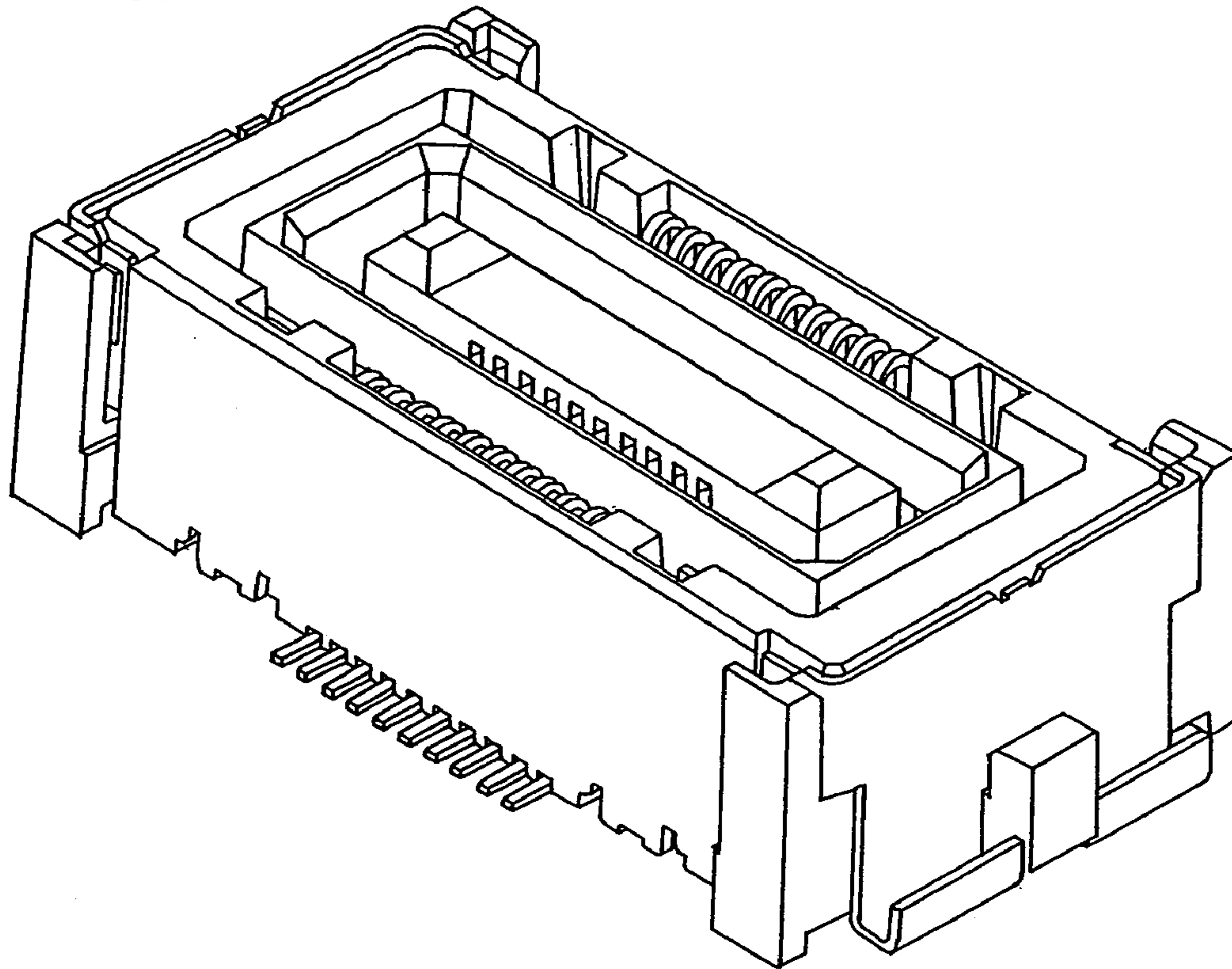


FIG. 6

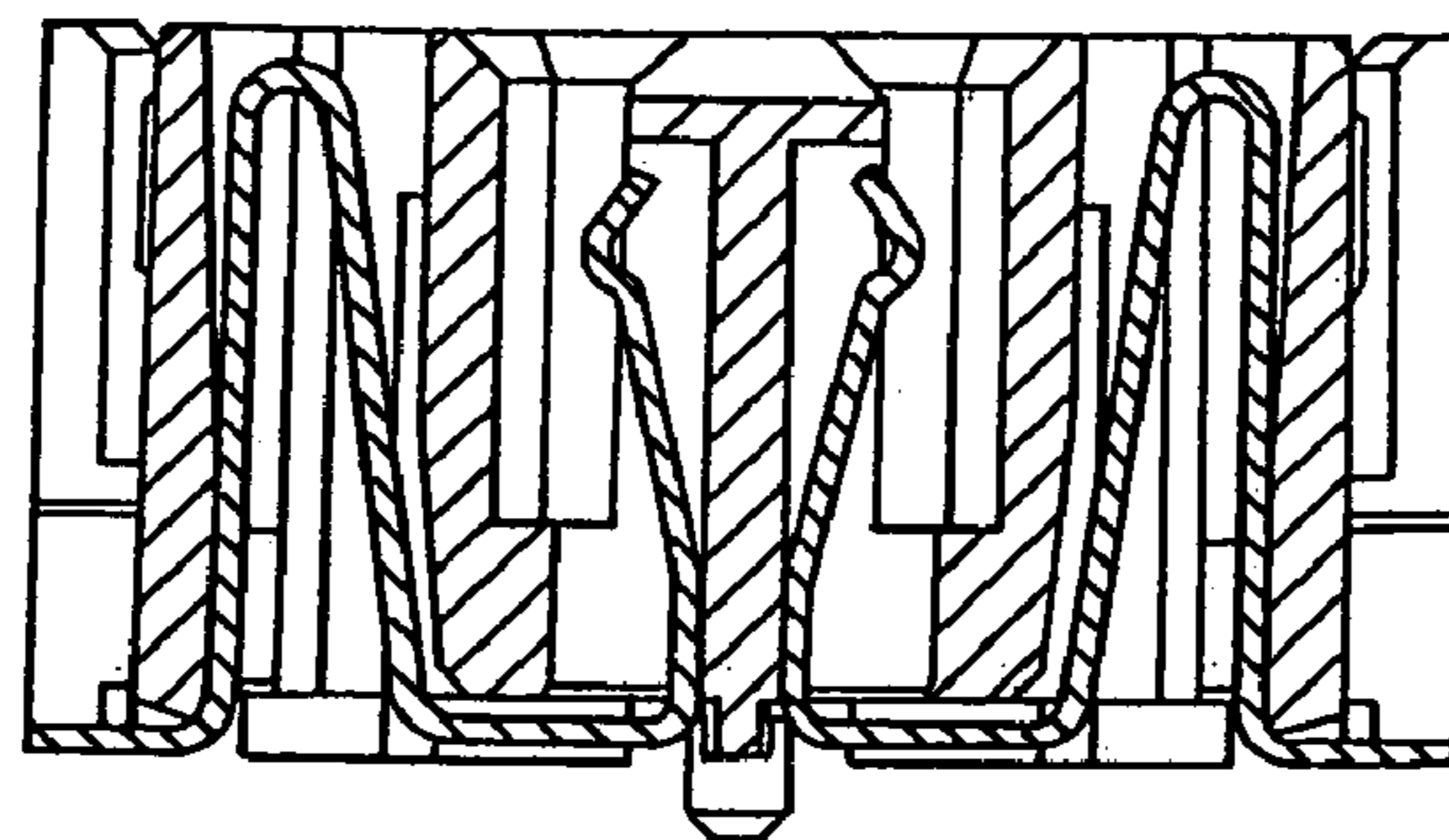


FIG. 2

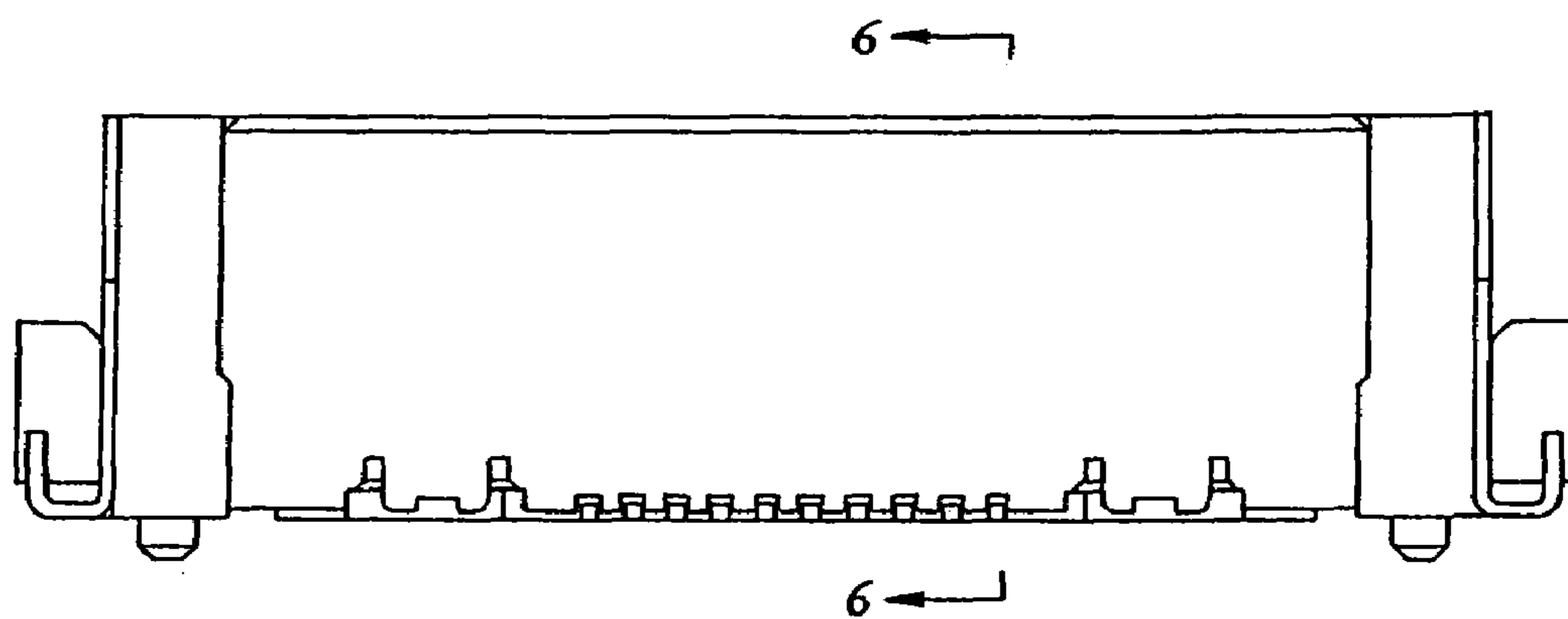


FIG. 3

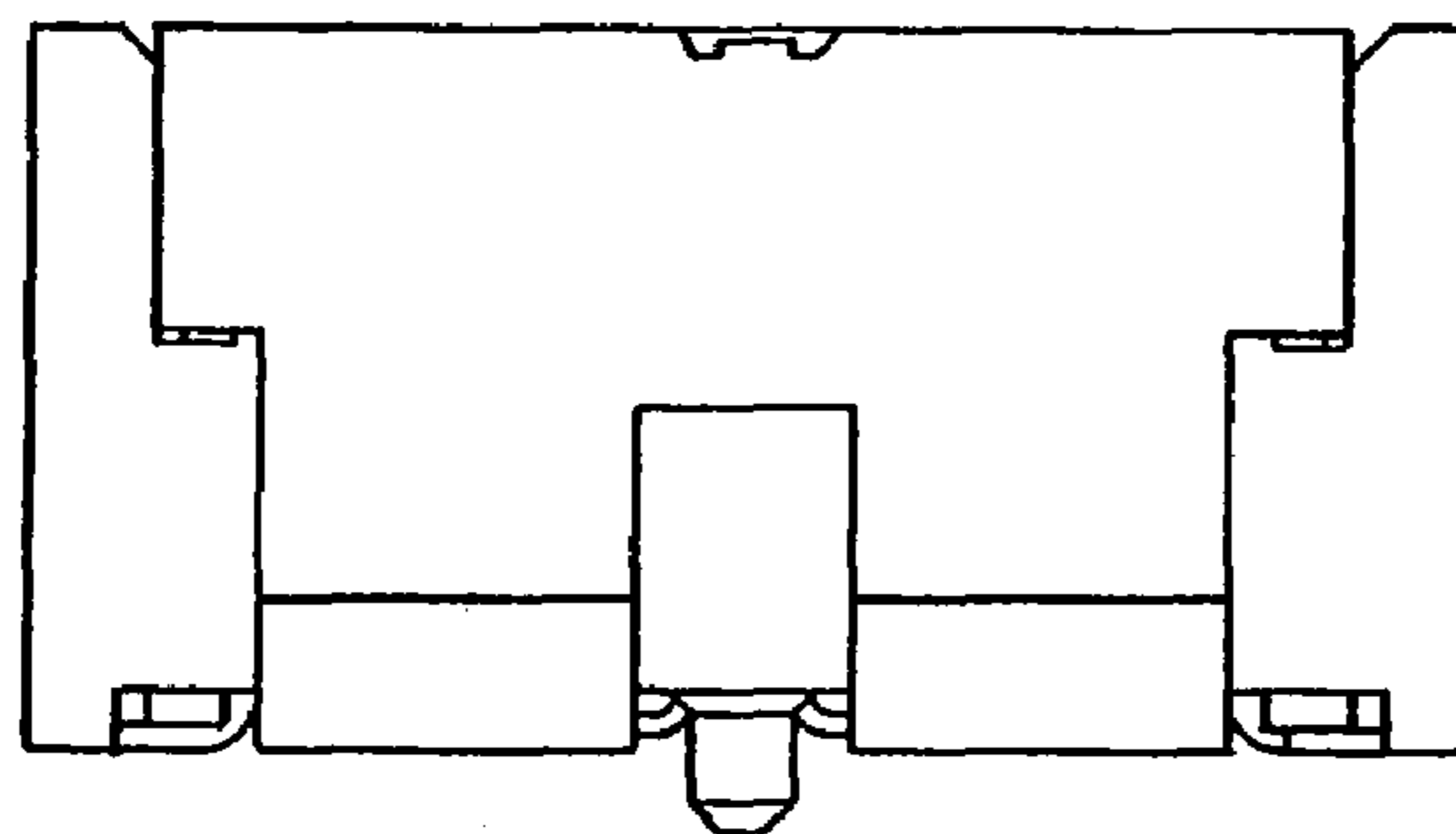


FIG. 4

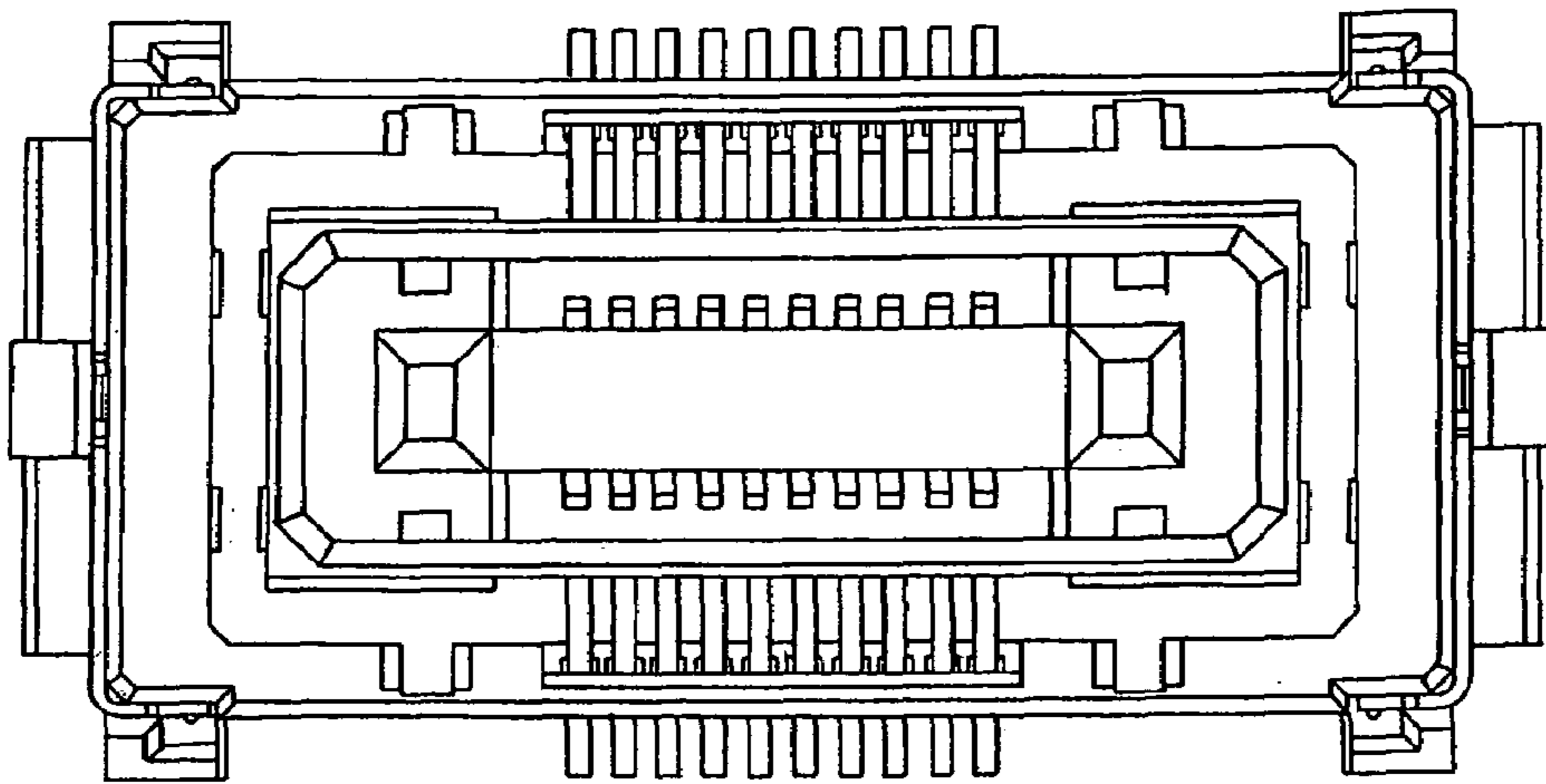


FIG. 5

