



US00D562244S

(12) **United States Design Patent**
Peng

(10) **Patent No.:** **US D562,244 S**

(45) **Date of Patent:** **** Feb. 19, 2008**

(54) **RECEPTACLE CONNECTOR**

(75) Inventor: **Yung-Chi Peng**, Tu-Cheng (TW)

(73) Assignee: **Cheng Uei Precision Industry Co., Ltd.**, Taipei Hsien (TW)

(**) Term: **14 Years**

(21) Appl. No.: **29/274,795**

(22) Filed: **May 25, 2007**

(51) **LOC (8) Cl.** **13-03**

(52) **U.S. Cl.** **D13/147**

(58) **Field of Classification Search** D13/133,
D13/146-147, 154, 184; D14/432-433,
D14/435-436, 438; 439/64, 79, 108, 260,
439/159-160, 325-326, 329, 394-395, 607-610,
439/629-630

See application file for complete search history.

(56) **References Cited**

U.S. PATENT DOCUMENTS

- D453,734 S * 2/2002 Shimoyama et al. D13/147
- D501,448 S * 2/2005 Ishikawa D13/147
- 7,090,508 B1 * 8/2006 Chen 439/74
- D528,987 S * 9/2006 Peng D13/147

- D539,225 S * 3/2007 Kishi et al. D13/147
- D544,447 S * 6/2007 Peng et al. D13/147
- 2004/0185690 A1 * 9/2004 Huang 439/74
- 2005/0042924 A1 * 2/2005 Zhang et al. 439/607
- 2007/0020966 A1 * 1/2007 Lee et al. 439/74

* cited by examiner

Primary Examiner—Daniel Bui

(74) *Attorney, Agent, or Firm*—Rosenberg, Klein & Lee

(57) **CLAIM**

The ornamental design for a receptacle connector, as shown and described.

DESCRIPTION

FIG. 1 is a perspective view of a receptacle connector showing my new design;

FIG. 2 is a front elevational view thereof;

FIG. 3 is a rear elevational view thereof;

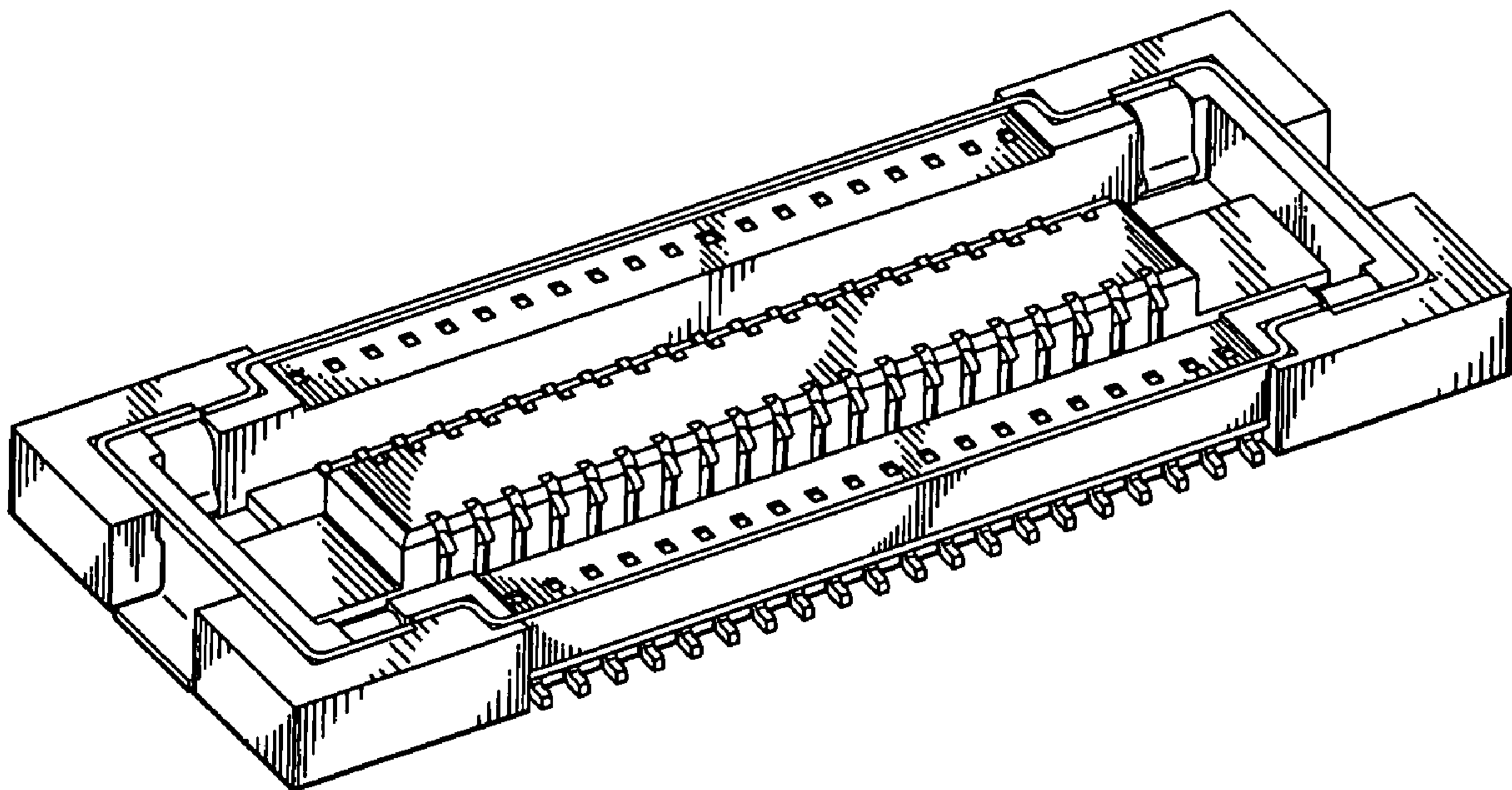
FIG. 4 is a left side elevational view thereof;

FIG. 5 is a right side elevational view thereof;

FIG. 6 is a top plan view thereof; and,

FIG. 7 is a bottom plan view thereof.

1 Claim, 7 Drawing Sheets



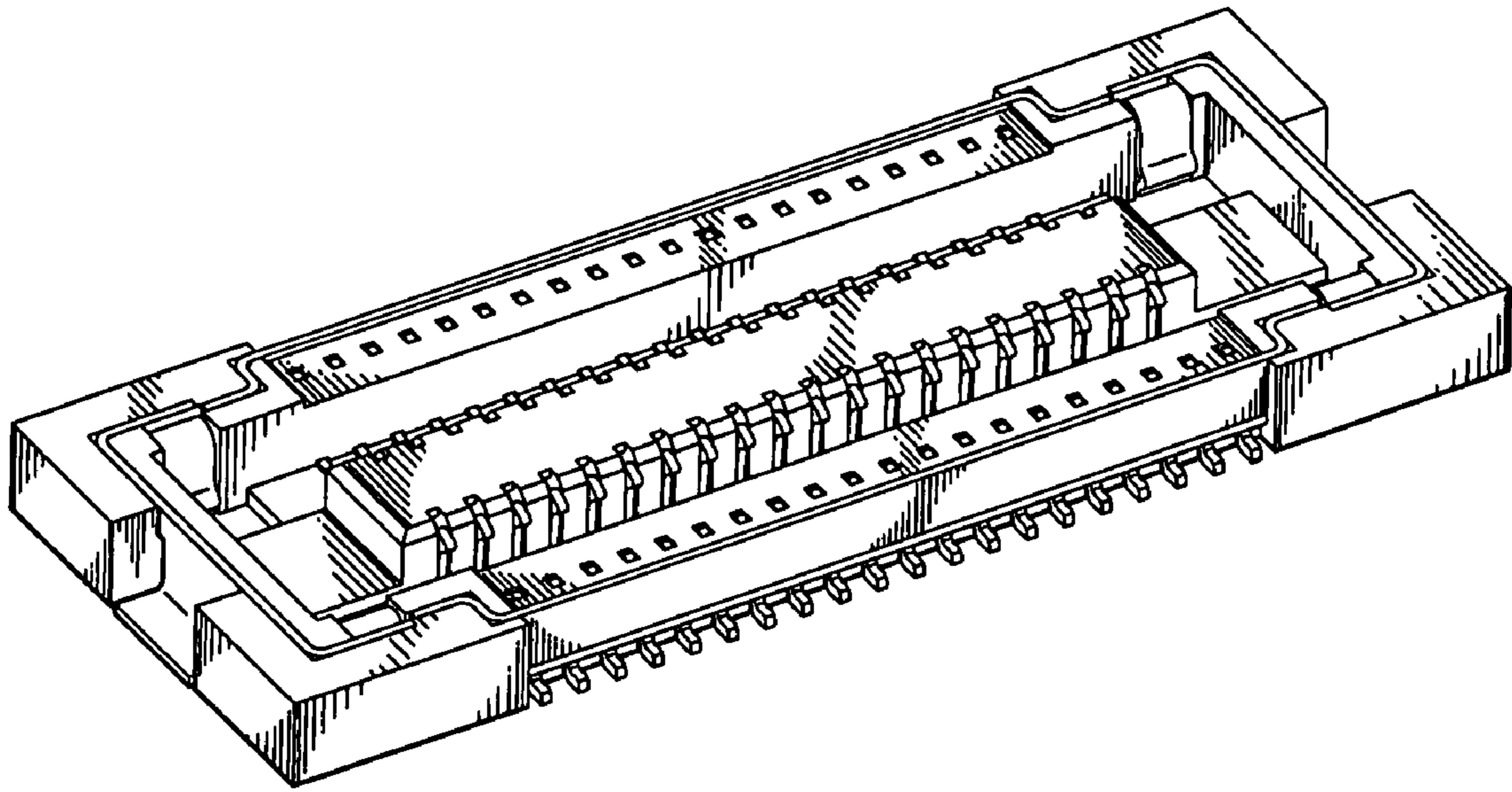


FIG. 1

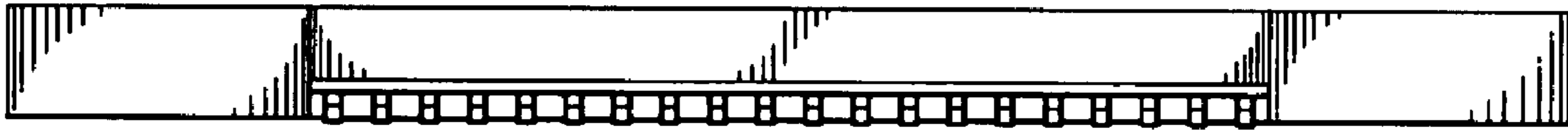


FIG. 2

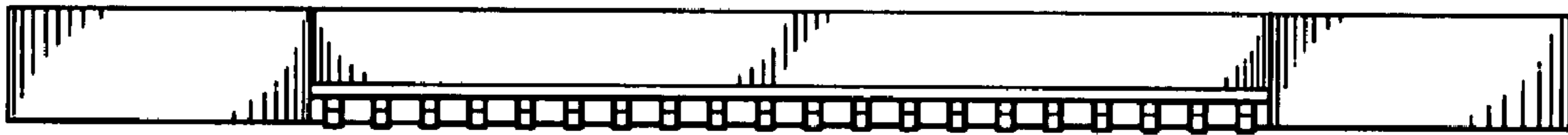


FIG. 3

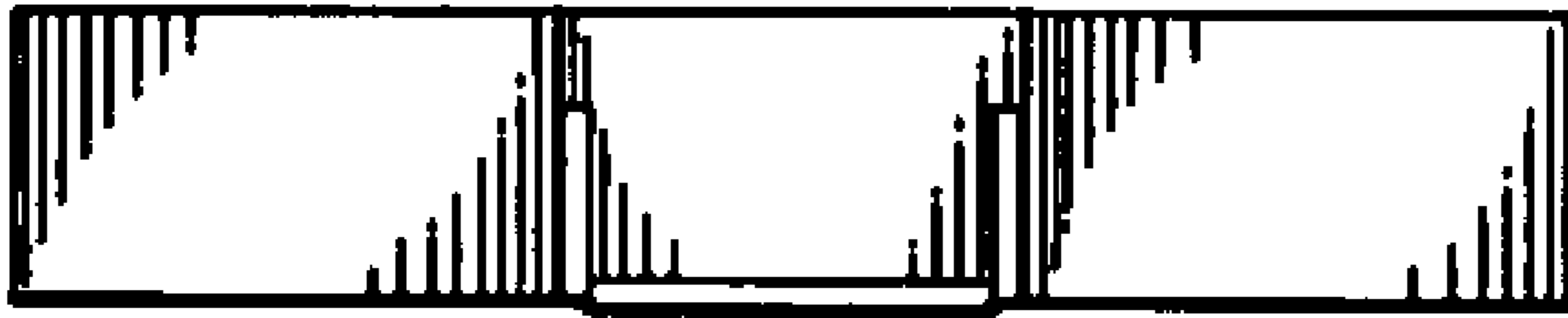


FIG. 4

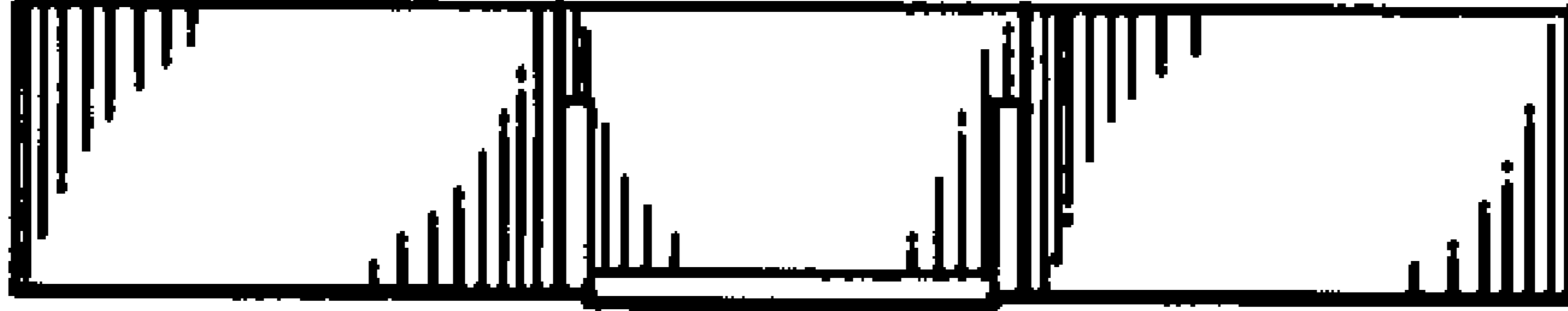


FIG. 5

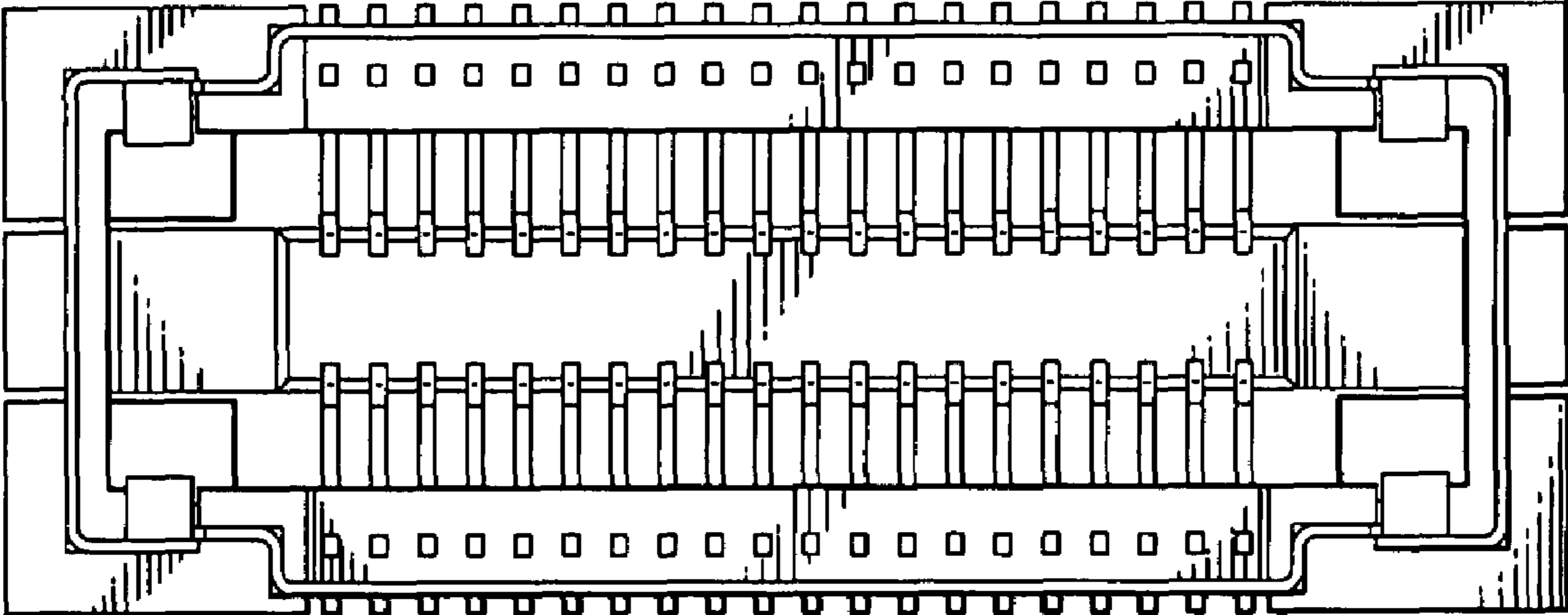


FIG. 6

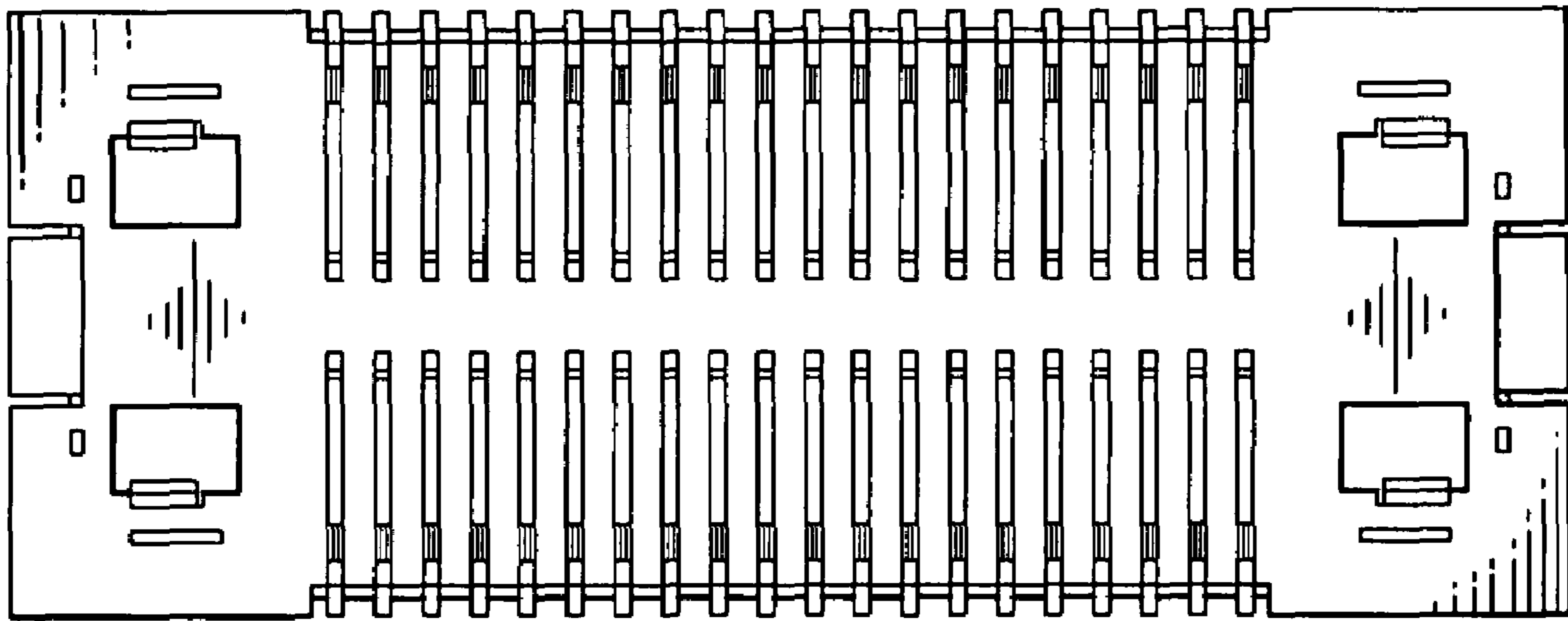


FIG. 7