



US00D562243S

(12) **United States Design Patent**
Zhang

(10) **Patent No.:** **US D562,243 S**

(45) **Date of Patent:** **** Feb. 19, 2008**

(54) **ELECTRICAL CONNECTOR**

(75) Inventor: **Han-Ming Zhang**, ShenZhen (CN)

(73) Assignee: **Hon Hai Precision Ind. Co., Ltd.**,
Taipei Hsien (TW)

(**) Term: **14 Years**

(21) Appl. No.: **29/270,652**

(22) Filed: **Dec. 28, 2006**

(30) **Foreign Application Priority Data**

Jun. 30, 2006 (CN) 2006 3 0121981

(51) **LOC (8) Cl.** **13-03**

(52) **U.S. Cl.** **D13/147**

(58) **Field of Classification Search** D13/133,
D13/146-147, 154, 184; D14/432-434,
D14/436, 438; D16/200; 439/64, 79, 159-160,
439/607-610, 629-630, 636, 660

See application file for complete search history.

(56) **References Cited**

U.S. PATENT DOCUMENTS

D524,246 S * 7/2006 Wang et al. D13/147
D524,749 S * 7/2006 Wang et al. D13/147
D538,747 S * 3/2007 Yang D13/147
D539,745 S * 4/2007 Nishio et al. D13/147
D539,749 S * 4/2007 Yang D13/147

D540,260 S * 4/2007 Yang D13/147
7,241,160 B2 * 7/2007 Yang 439/330
2006/0234557 A1 * 10/2006 Chen 439/609

* cited by examiner

Primary Examiner—Daniel Bui

(74) *Attorney, Agent, or Firm*—Wei Te Chung

(57) **CLAIM**

The ornamental design for an electrical connector, as shown and described.

DESCRIPTION

FIG. 1 is a perspective view of an electrical connector showing my new design;

FIG. 2 is a front elevational view thereof;

FIG. 3 is a rear elevational view thereof;

FIG. 4 is a left side elevational view thereof;

FIG. 5 is a right side elevational view thereof;

FIG. 6 is a top plan view thereof;

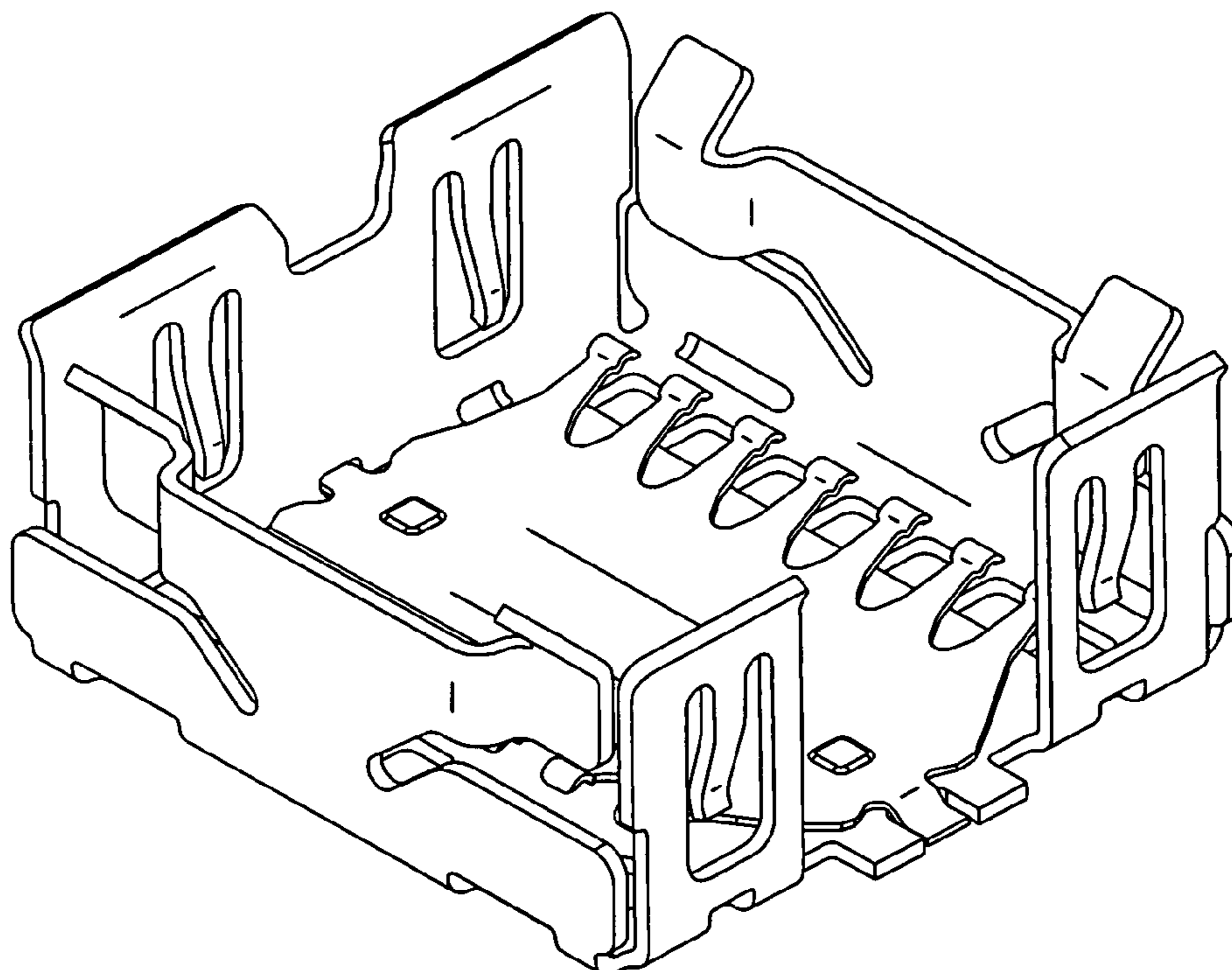
FIG. 7 is a bottom plan view thereof;

FIG. 8 is a perspective view thereof, in use condition; and,

FIG. 9 is another perspective view thereof, in use condition.

The broken line showing of the environment is for illustrative purposes only and forms no part of the claimed design.

1 Claim, 9 Drawing Sheets



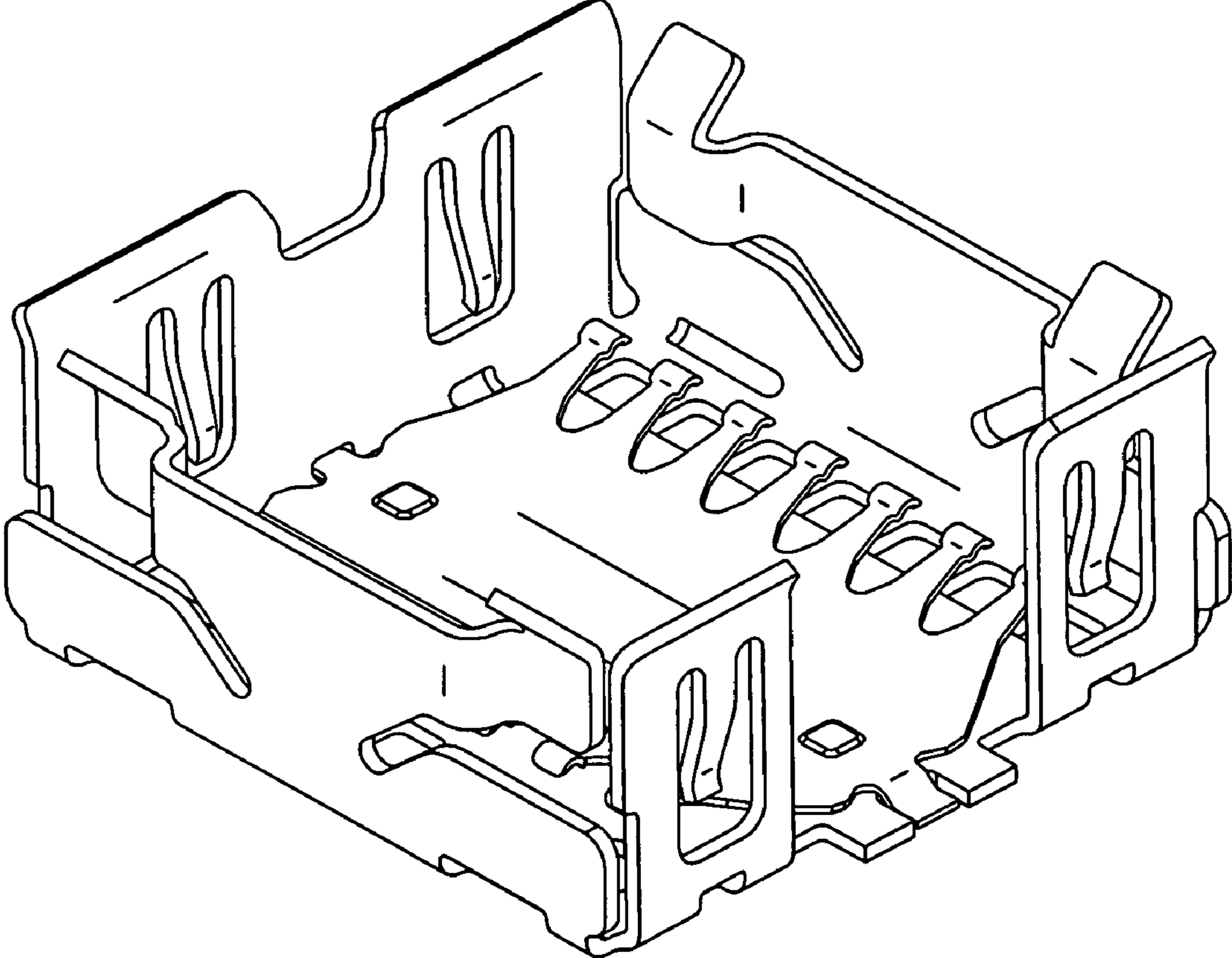


FIG. 1

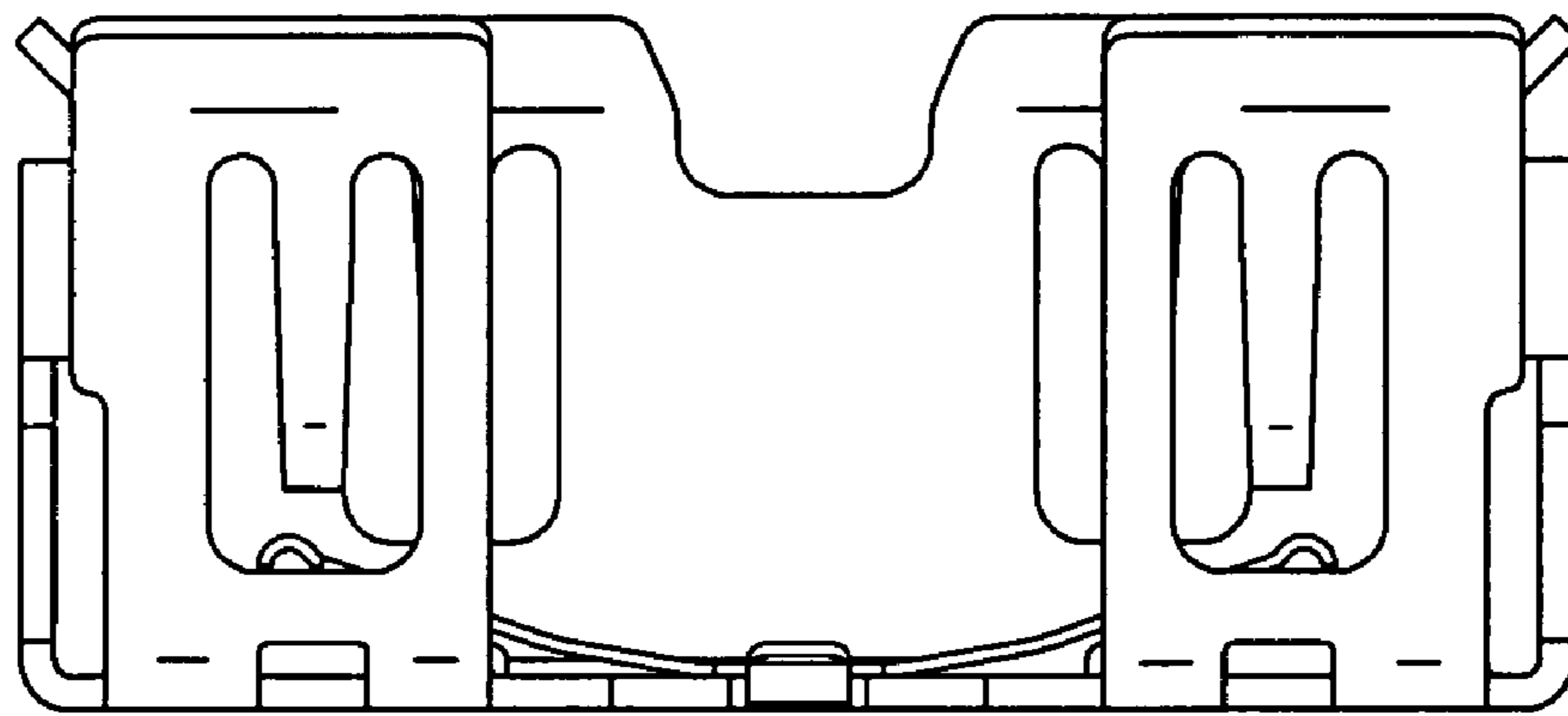


FIG. 2

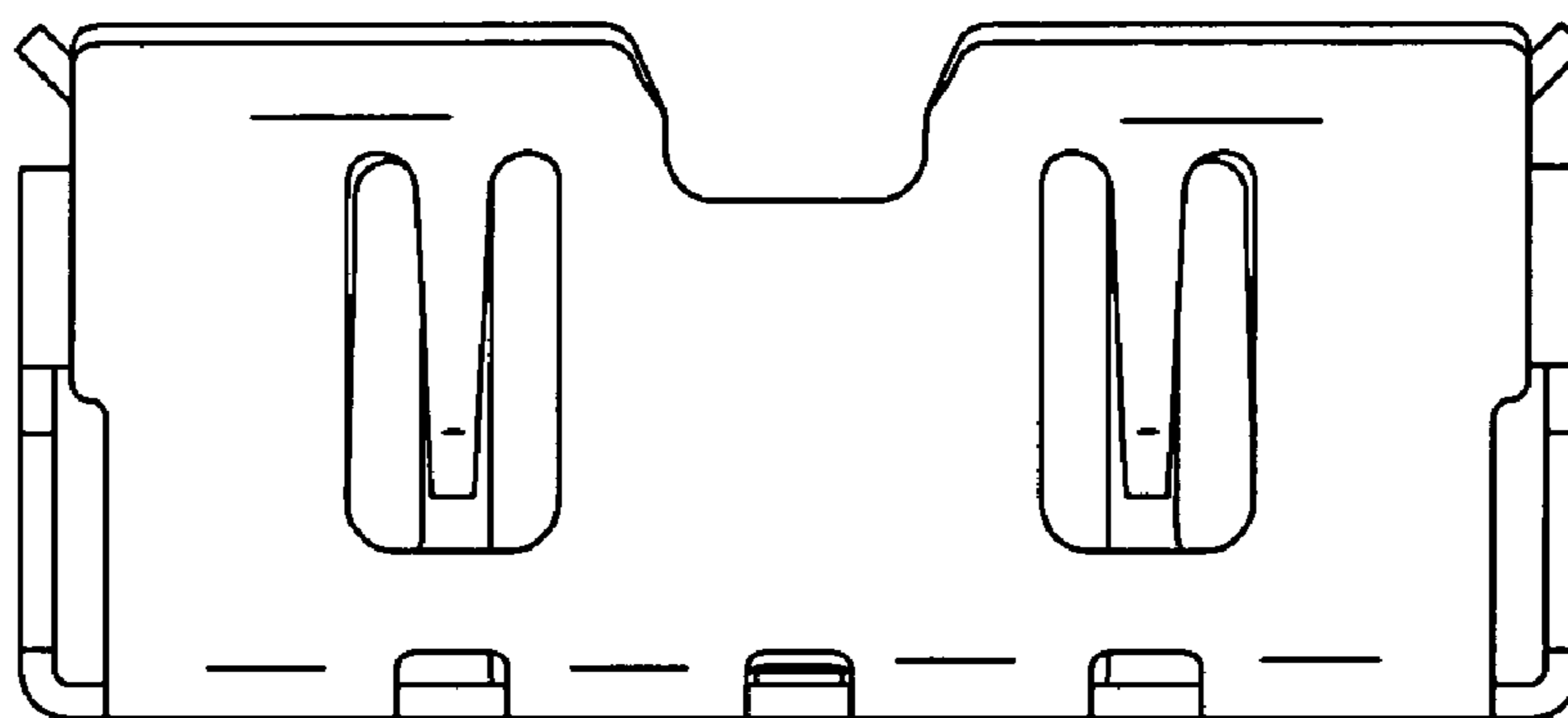


FIG. 3

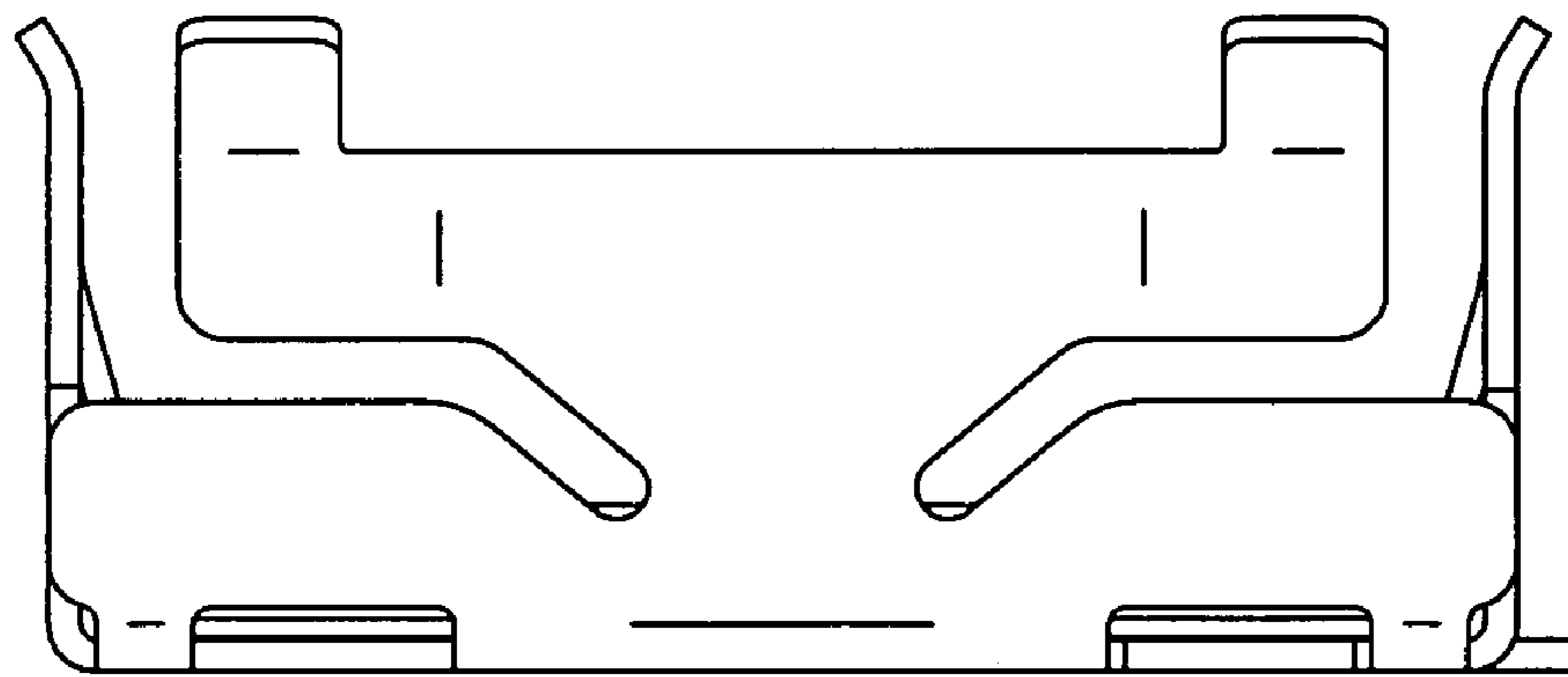


FIG. 4

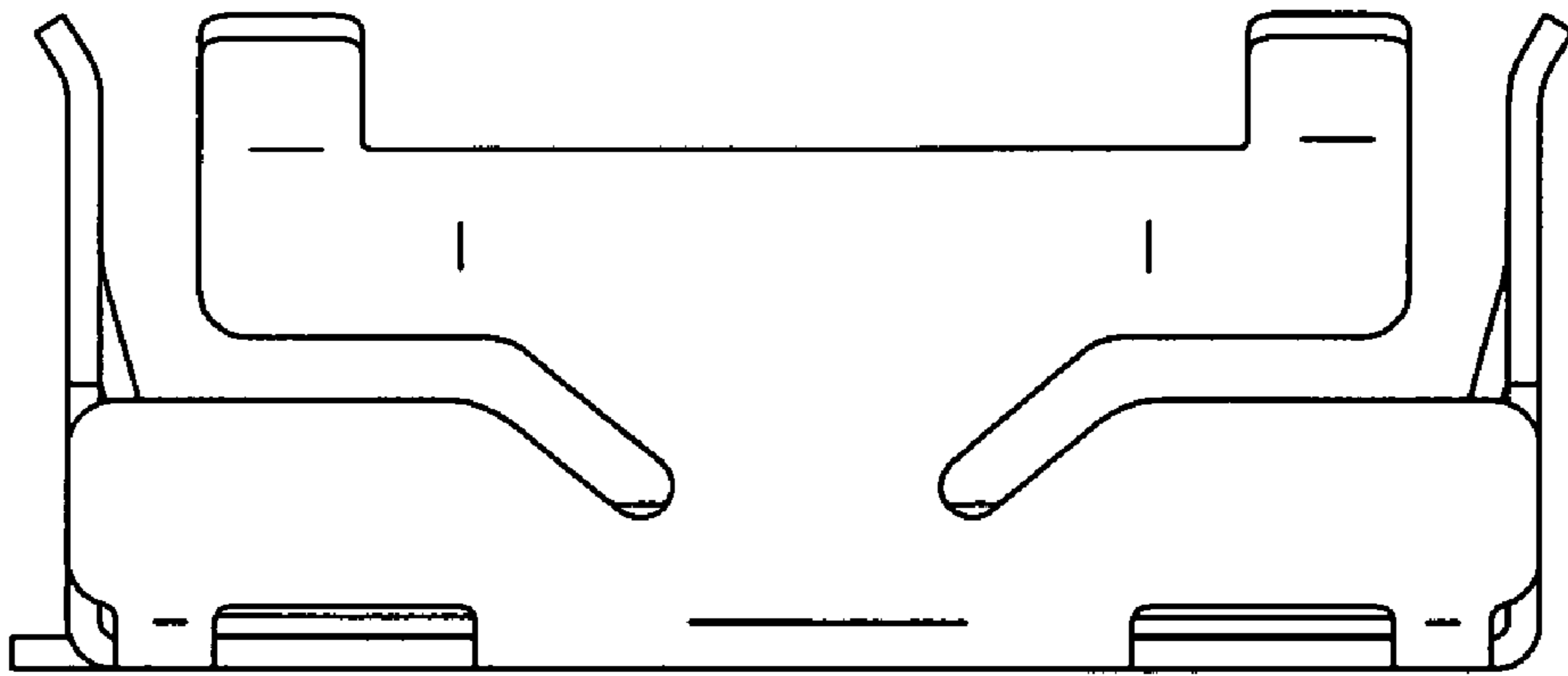


FIG. 5

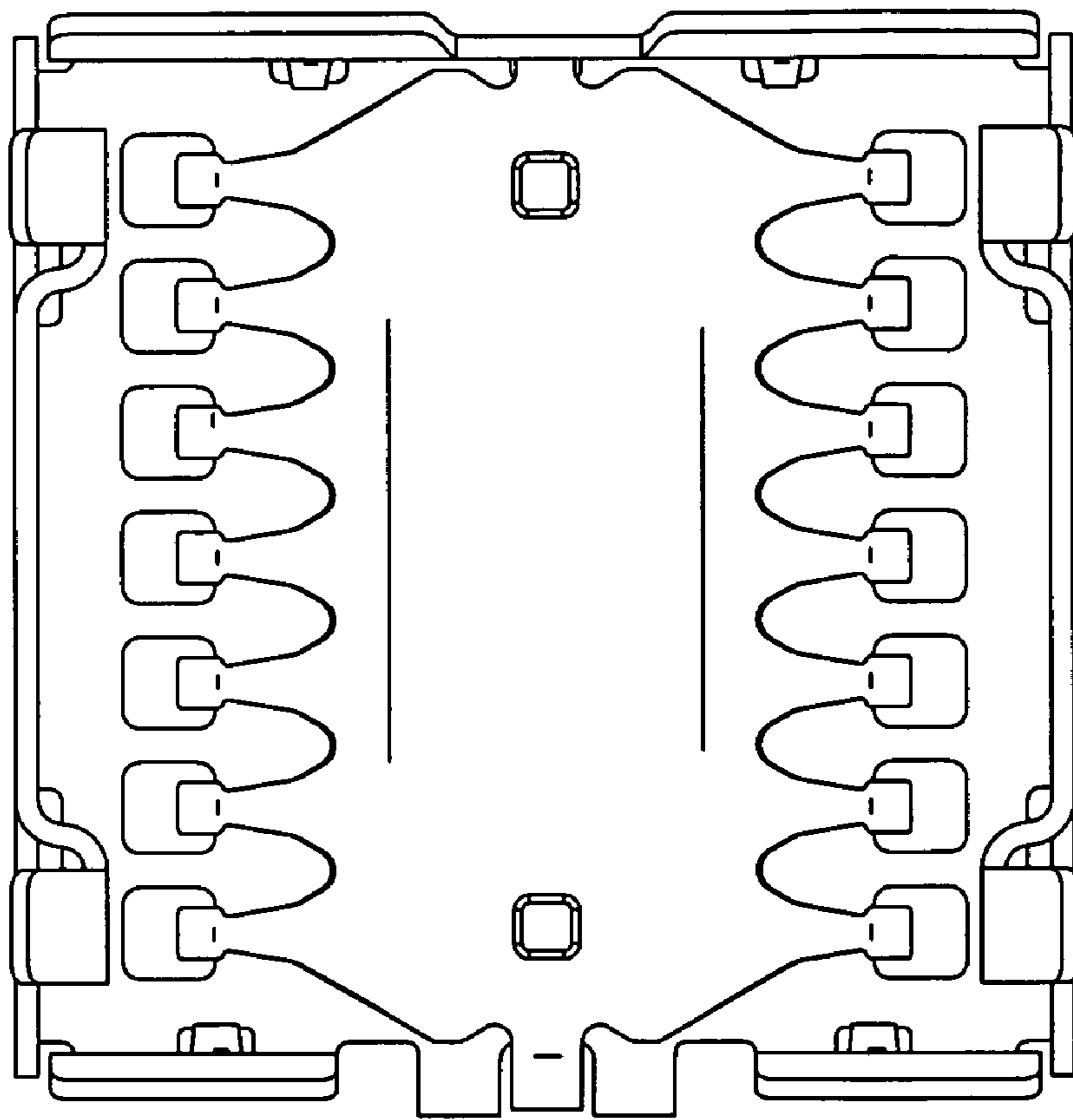


FIG. 6

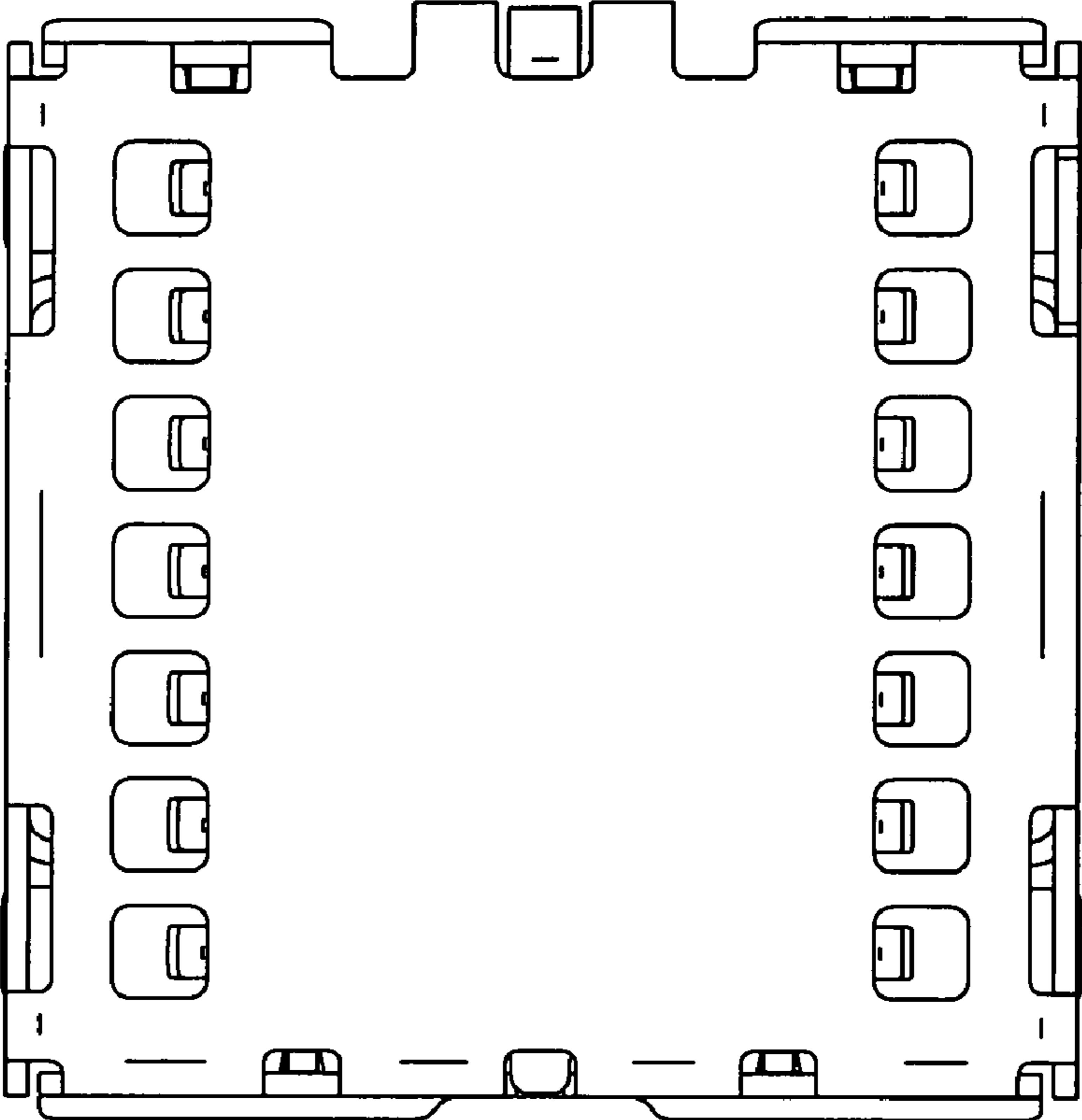


FIG. 7

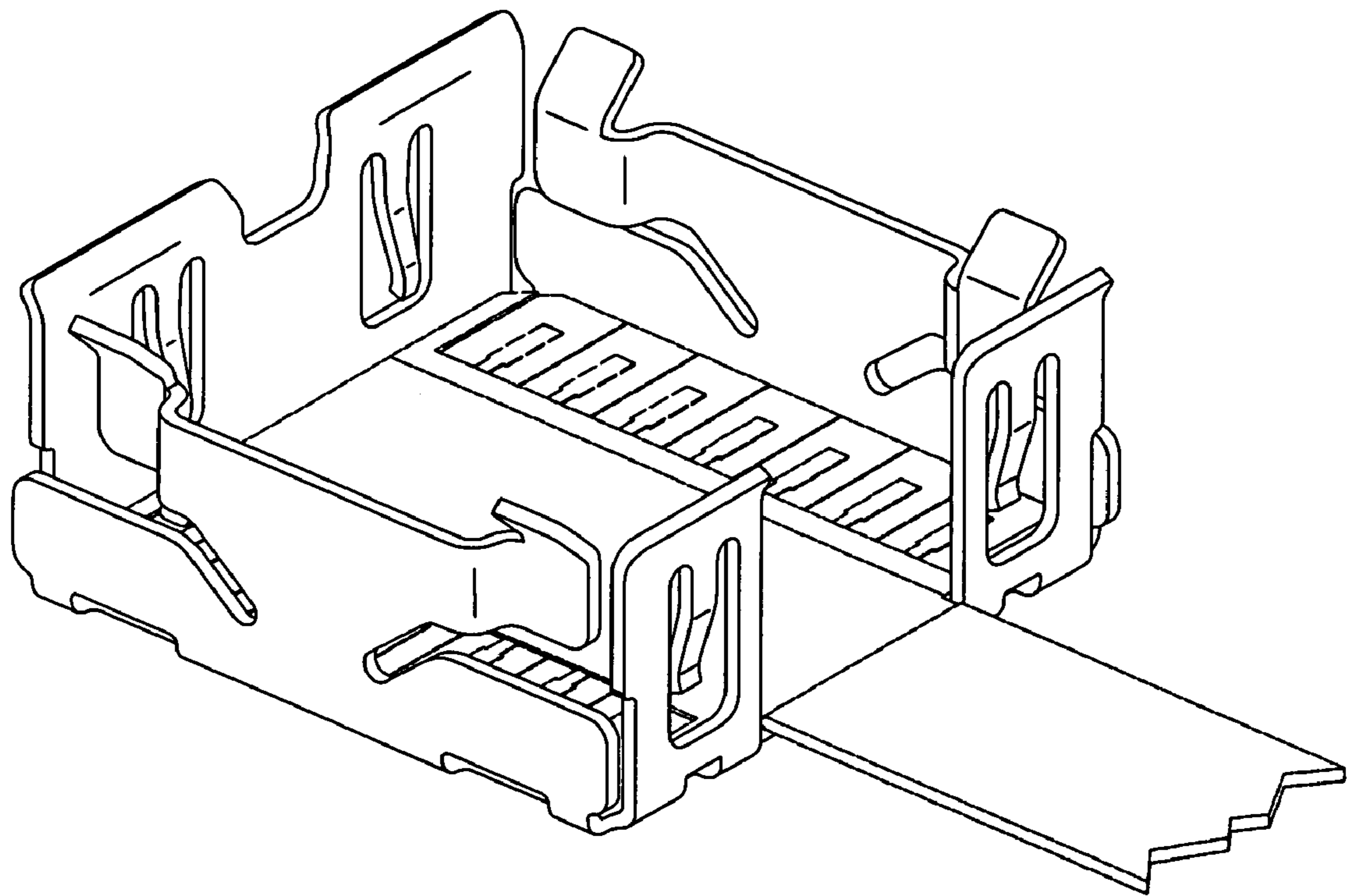


FIG. 8

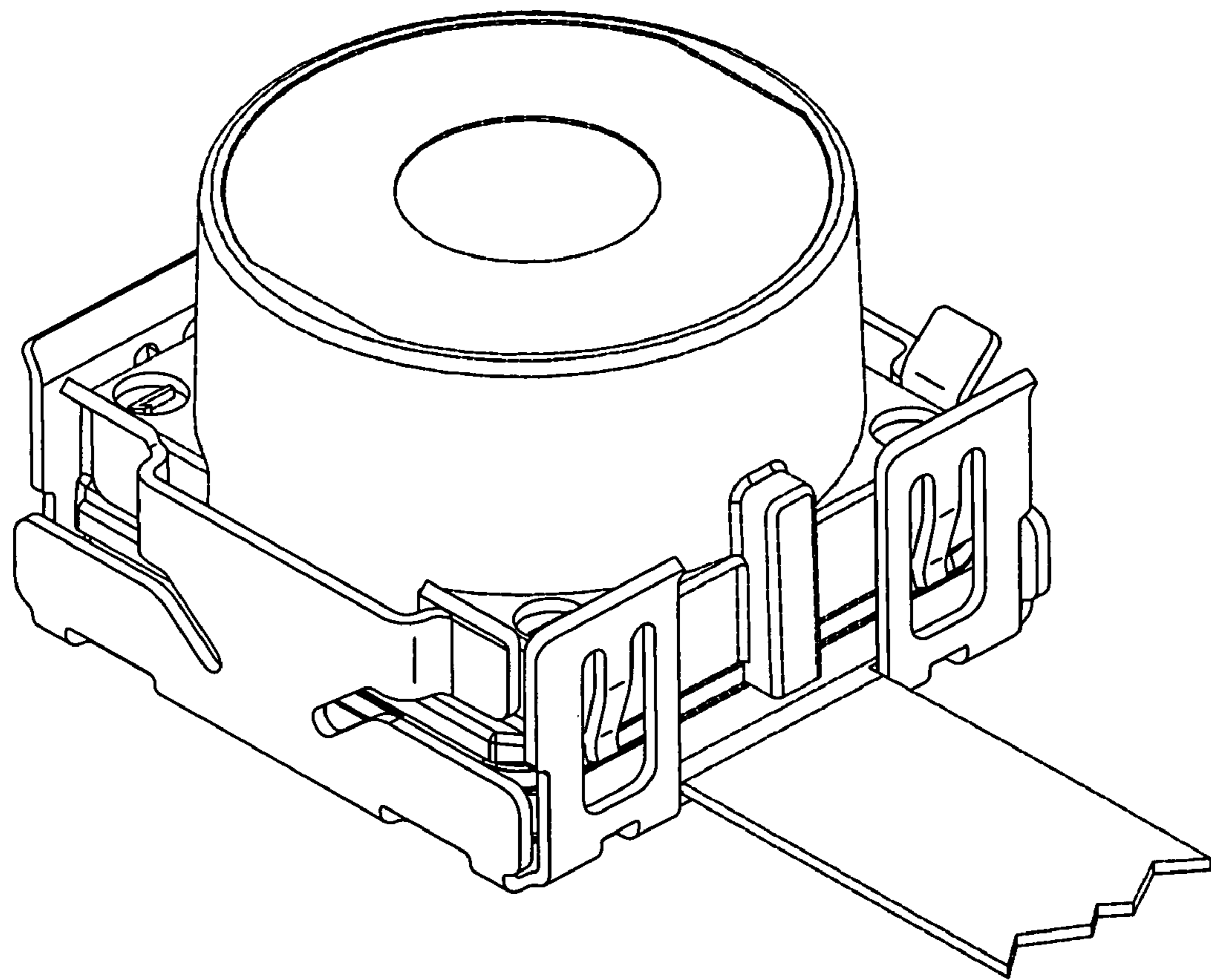


FIG. 9