



US00D562242S

(12) **United States Design Patent**  
**Yang**

(10) **Patent No.:** **US D562,242 S**

(45) **Date of Patent:** **\*\* Feb. 19, 2008**

(54) **ELECTRICAL CONNECTOR**

(75) Inventor: **Meng-Huan Yang**, Tu-Cheng (TW)

(73) Assignee: **Hon Hai Precision Ind. Co., Ltd.**,  
Taipei Hsien (TW)

(\*\*) Term: **14 Years**

(21) Appl. No.: **29/267,187**

(22) Filed: **Oct. 4, 2006**

(30) **Foreign Application Priority Data**

Apr. 13, 2006 (CN) ..... 200630084426

(51) **LOC (8) Cl.** ..... **13-03**

(52) **U.S. Cl.** ..... **D13/147**

(58) **Field of Classification Search** ..... D13/133,  
D13/146-147, 154, 184; D14/432-434,  
D14/436, 438; D16/200; 439/64, 79, 159-160,  
439/607-610, 629-630, 636, 660

See application file for complete search history.

(56) **References Cited**

**U.S. PATENT DOCUMENTS**

D493,427 S *	7/2004	Nishio et al.	.....	D13/147
D502,144 S *	2/2005	Nishio et al.	.....	D13/147
D524,246 S *	7/2006	Wang et al.	.....	D13/147
D531,122 S *	10/2006	Asai et al.	.....	D13/147
D538,747 S *	3/2007	Yang et al.	.....	D13/147
D539,223 S *	3/2007	Nishio et al.	.....	D13/147

D539,224 S *	3/2007	Nishio et al.	.....	D13/147
D539,745 S *	4/2007	Nishio et al.	.....	D13/147
D539,749 S *	4/2007	Yang	.....	D13/147
D540,260 S *	4/2007	Yang	.....	D13/147

\* cited by examiner

*Primary Examiner*—Daniel Bui

(74) *Attorney, Agent, or Firm*—Wei Te Chung

(57) **CLAIM**

The ornamental design for an electrical connector, as shown and described.

**DESCRIPTION**

FIG. 1 is a front, top and right side perspective view of an electrical connector showing my new design;

FIG. 2 is a front elevational view thereof;

FIG. 3 is a rear elevational view thereof;

FIG. 4 is a left side elevational view thereof;

FIG. 5 is a right side elevational view thereof;

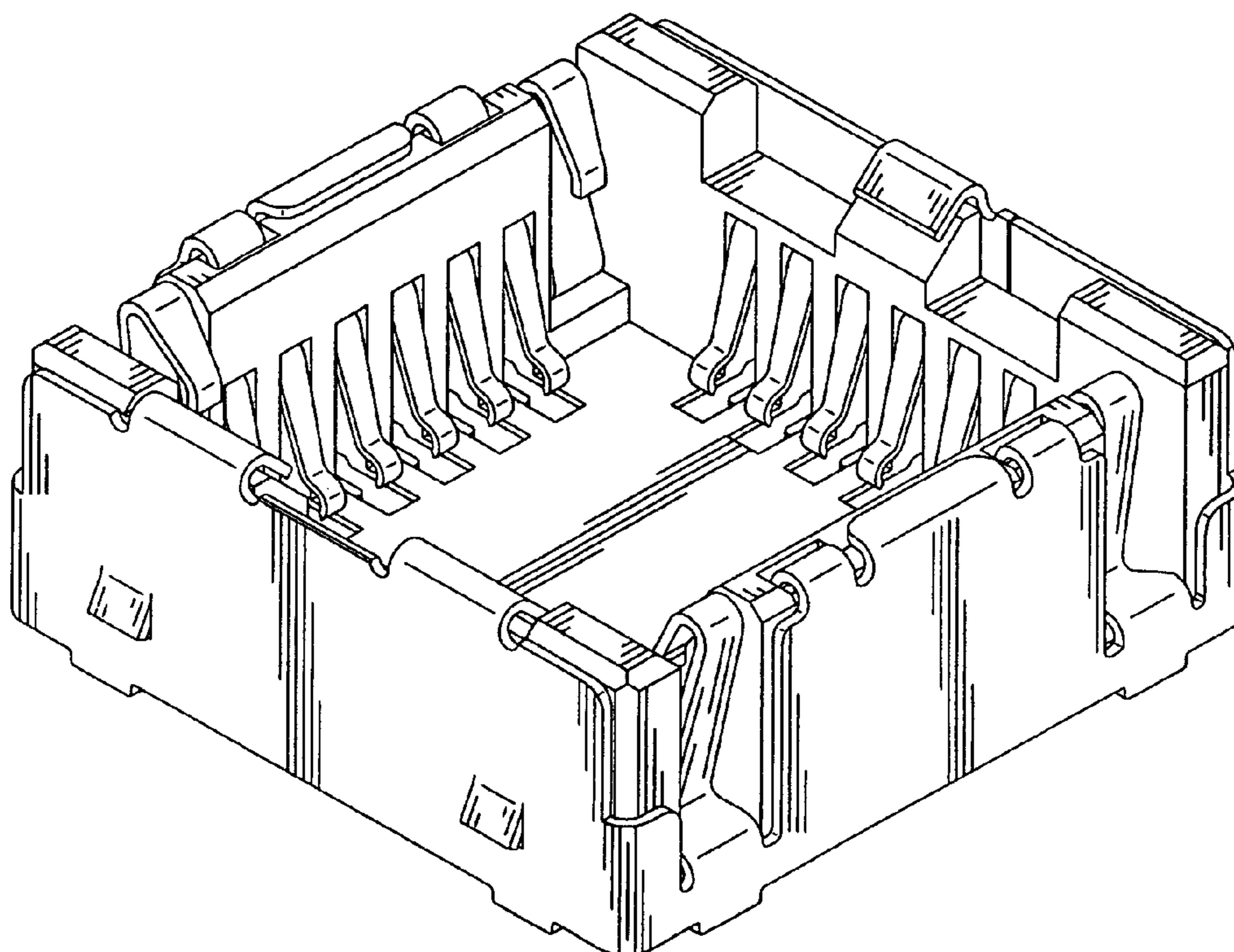
FIG. 6 is a top plan view thereof; and

FIG. 7 is a bottom plan view thereof; and,

FIG. 8 is a front, top and right side perspective view thereof, in use condition.

The broken line showing of the environment is for illustrative purposes only and forms no part of the claimed design.

**1 Claim, 8 Drawing Sheets**



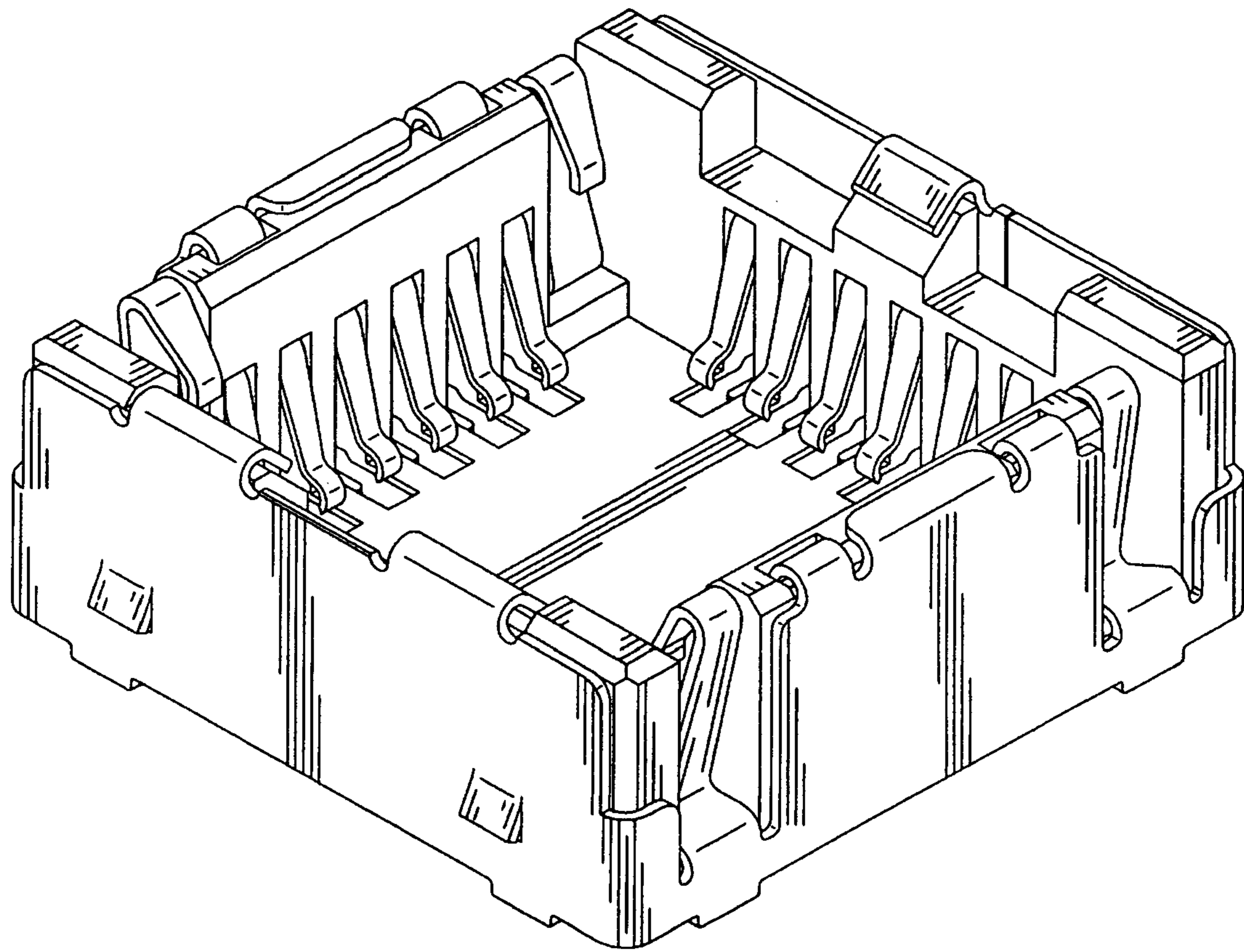


FIG. 1

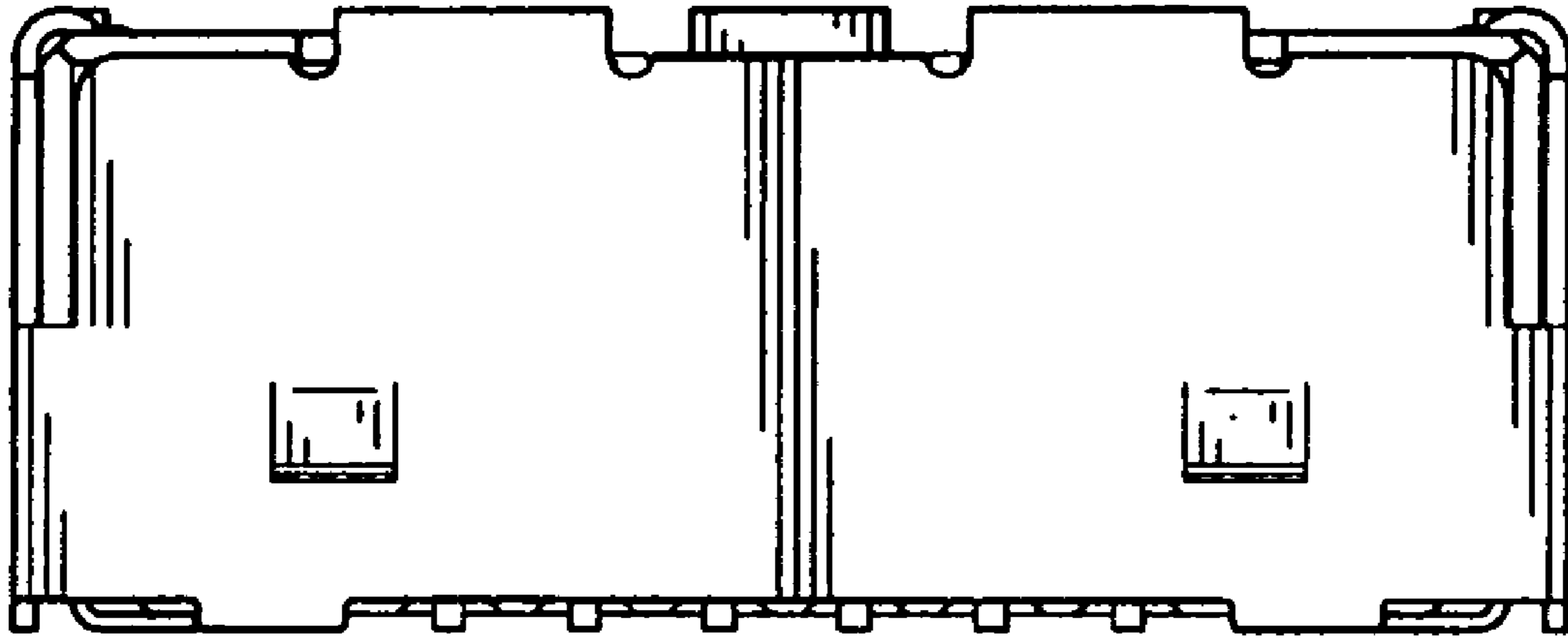


FIG. 2

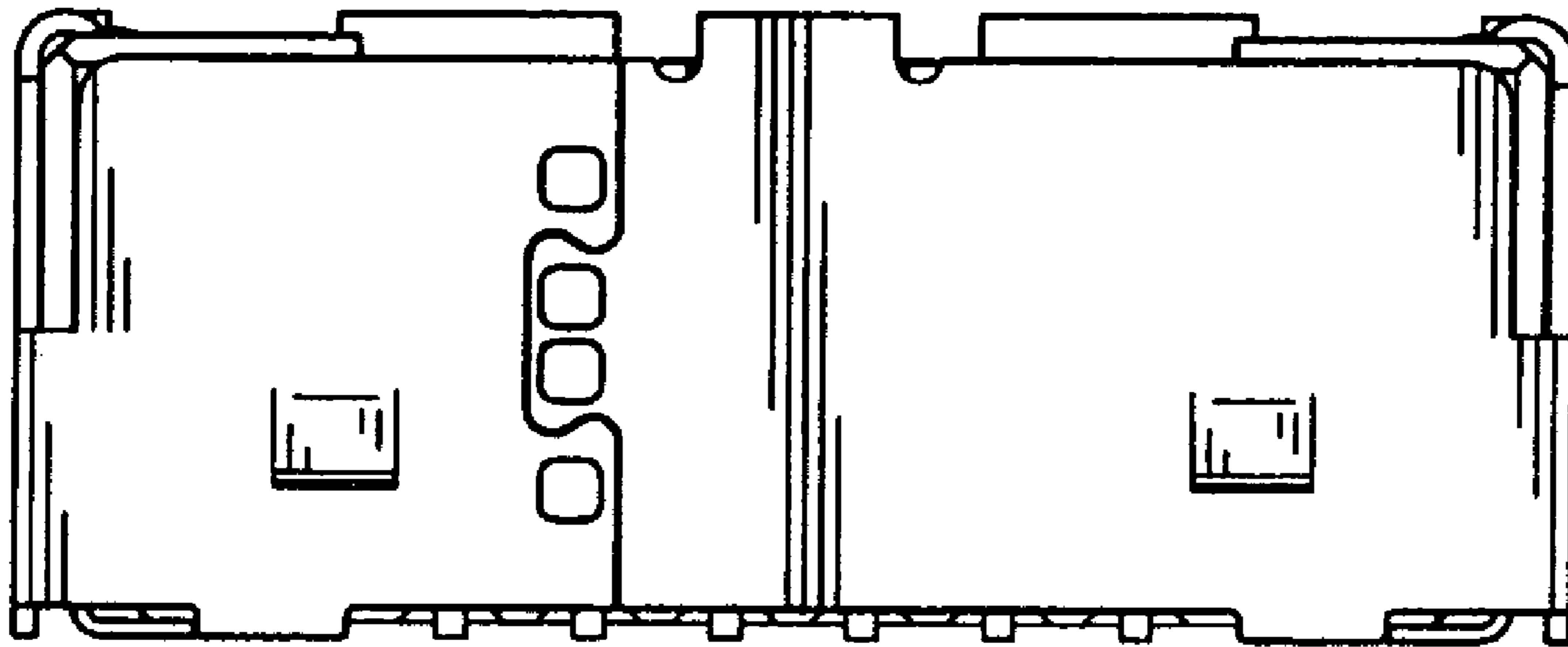


FIG. 3

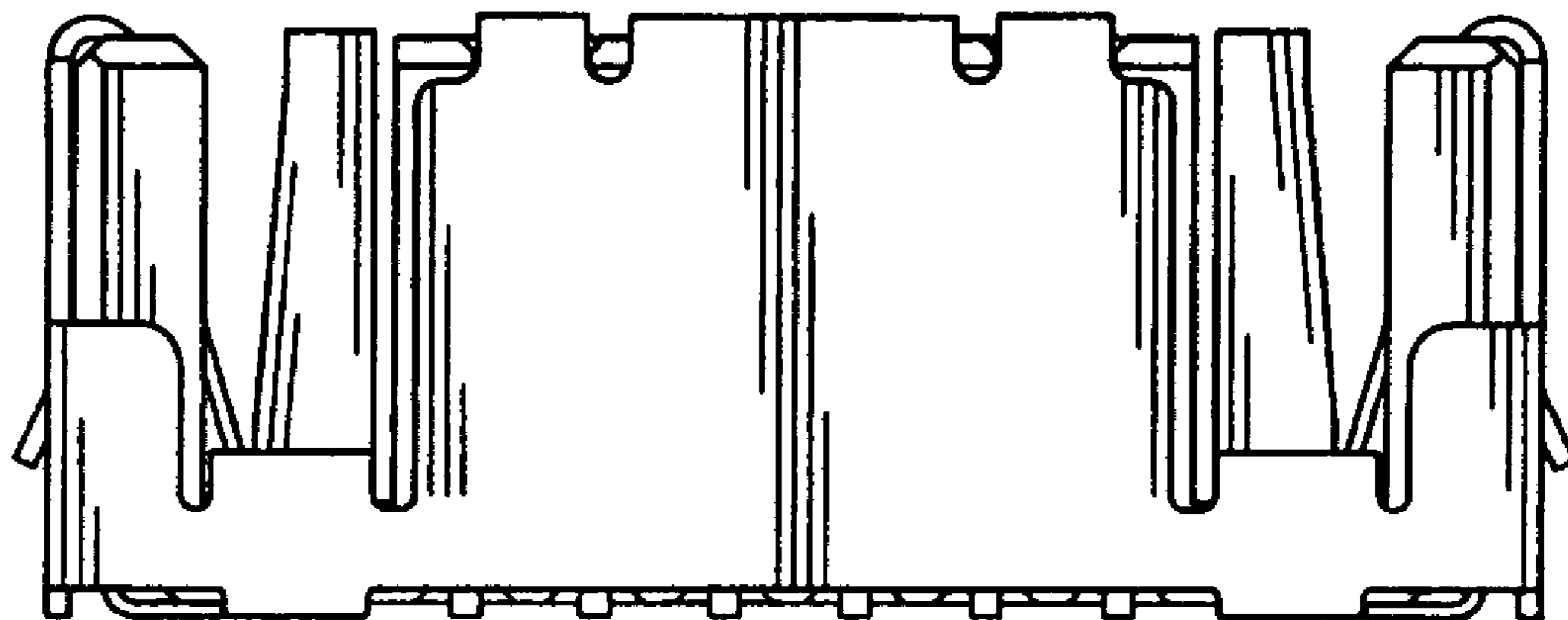


FIG. 4

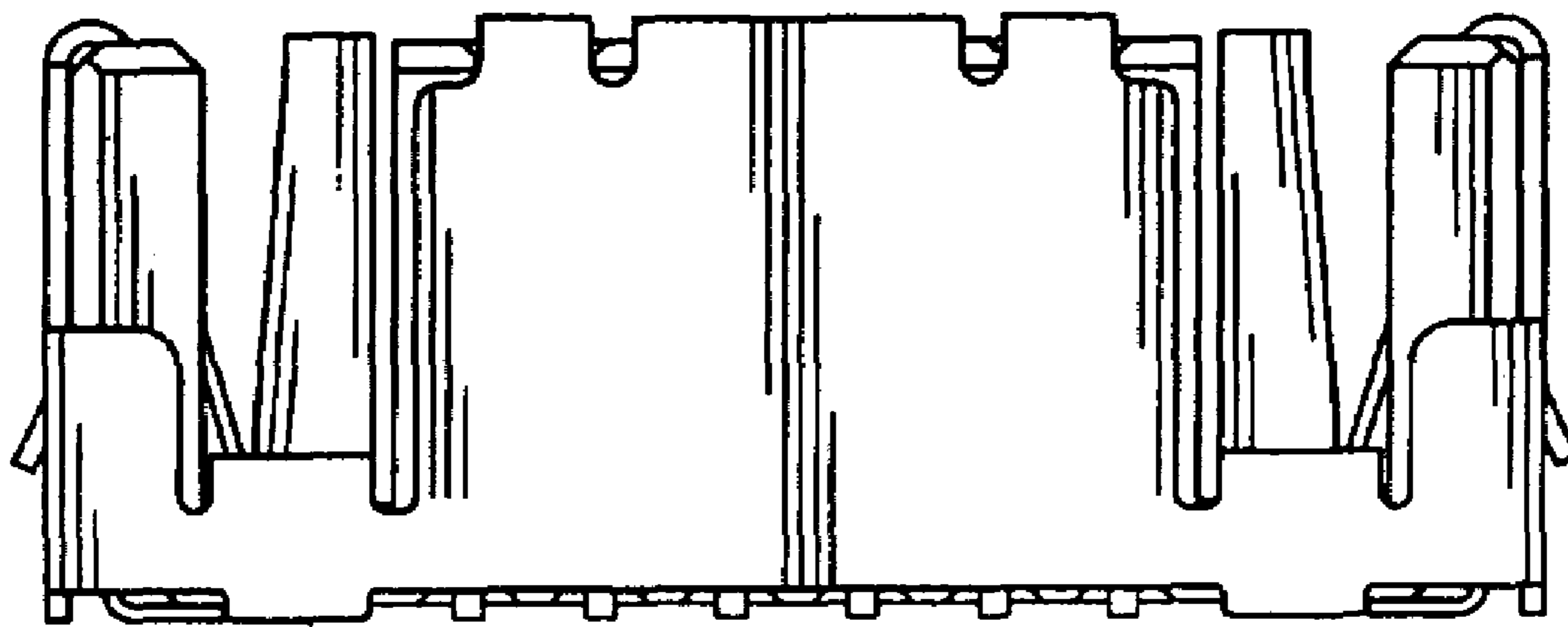


FIG. 5

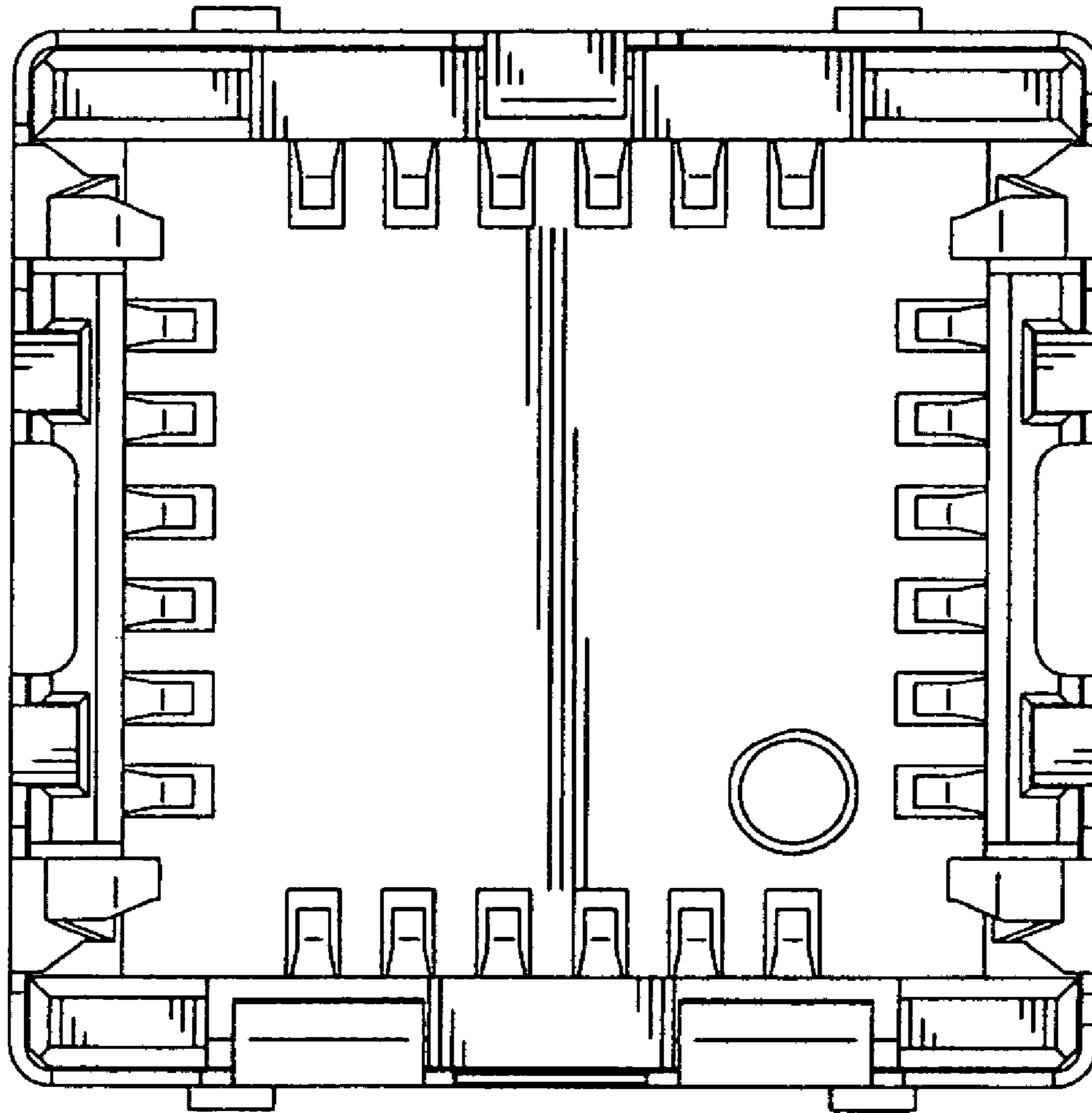


FIG. 6

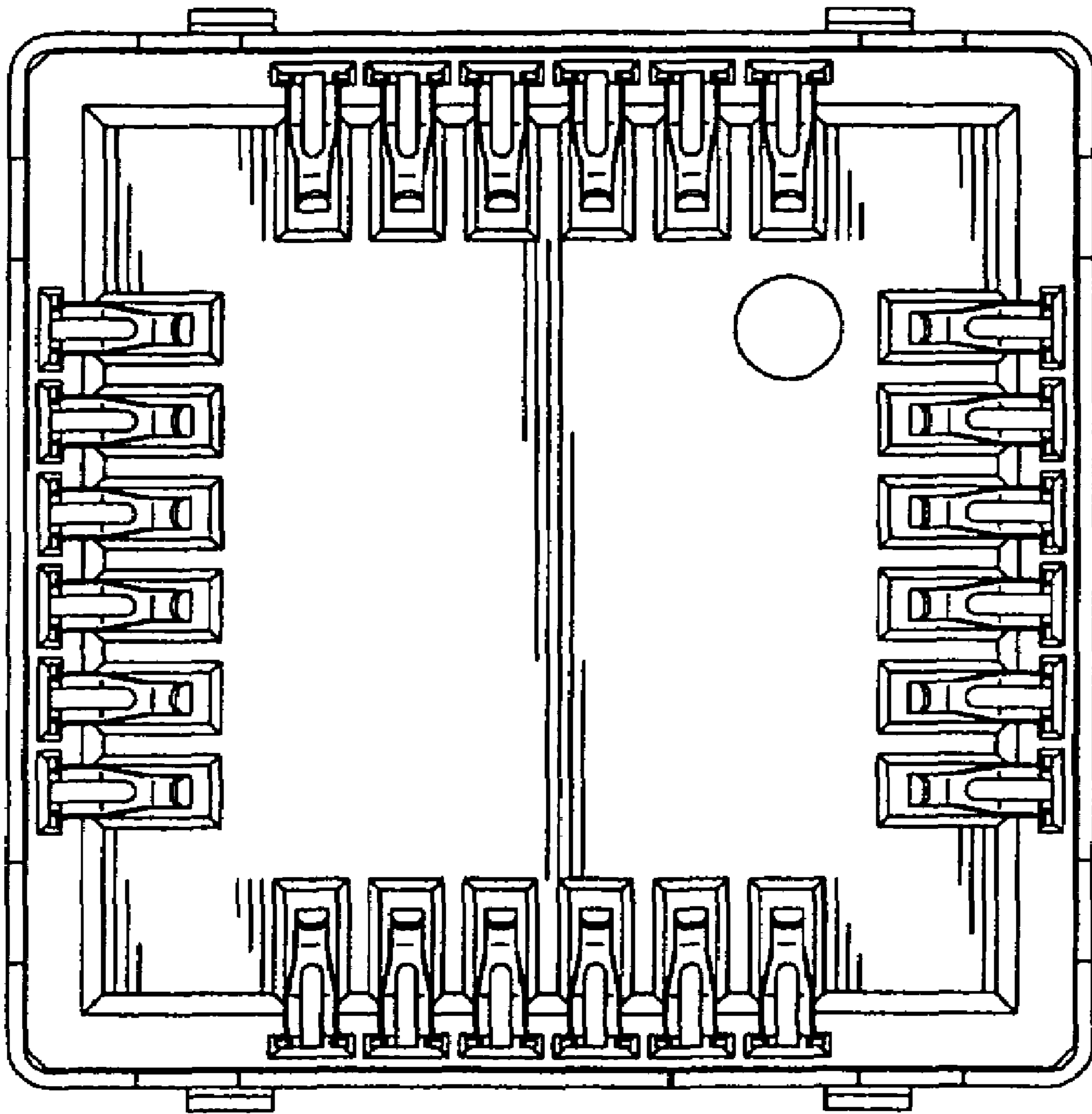


FIG. 7



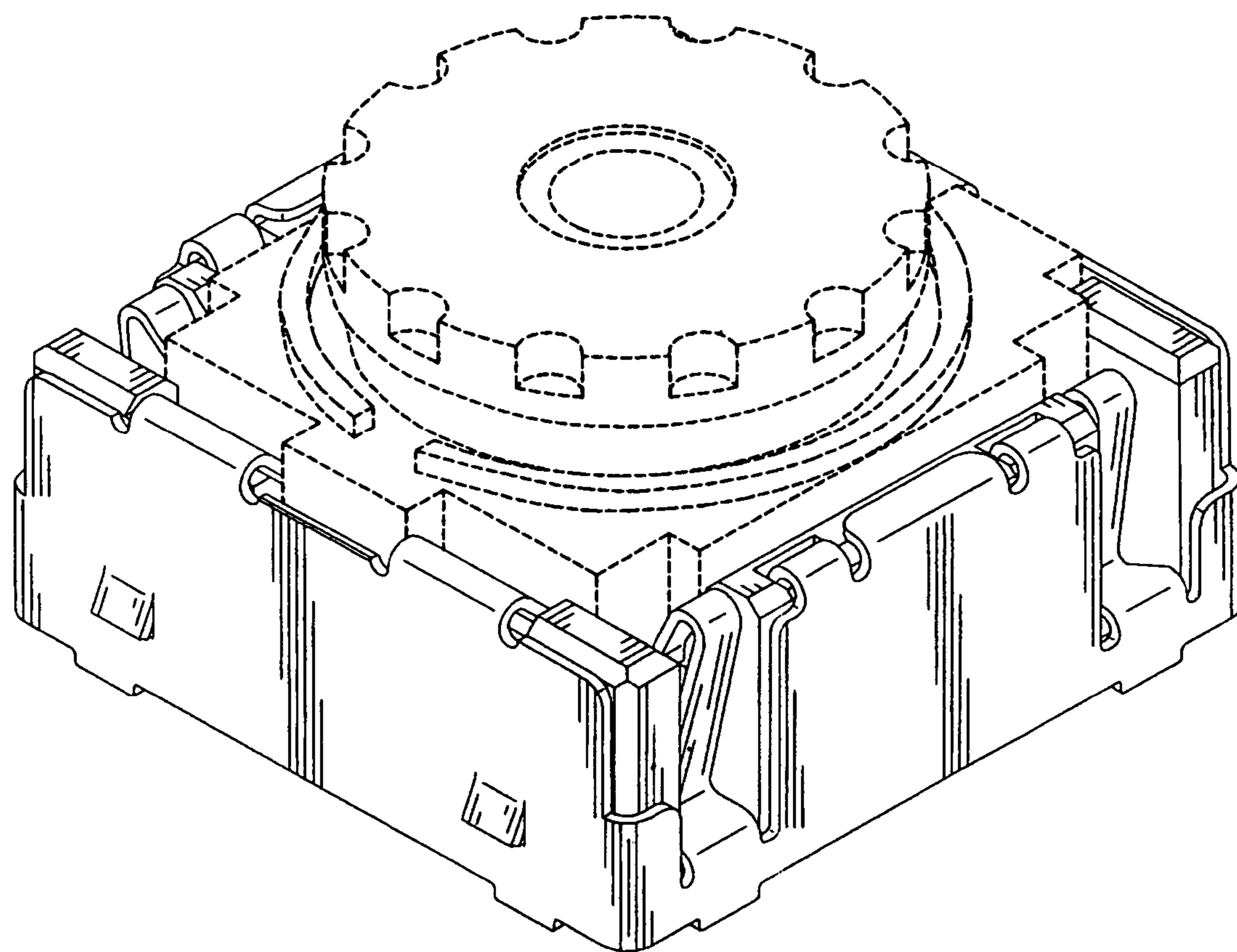


FIG. 8