



US00D562241S

(12) **United States Design Patent**
Hsu et al.

(10) **Patent No.:** **US D562,241 S**
(45) **Date of Patent:** **** Feb. 19, 2008**

(54) **SIM CARD CONNECTOR**

(75) Inventors: **Chang-Shin Hsu**, Tu-Cheng (TW);
Chen Liu, ShenZhen (CN)

(73) Assignee: **Hon Hai Precision Ind. Co., Ltd.**,
Taipei Hsien (TW)

(**) Term: **14 Years**

(21) Appl. No.: **29/271,657**

(22) Filed: **Jan. 24, 2007**

(30) **Foreign Application Priority Data**

Jul. 24, 2006 (TW) 95304124

(51) **LOC (8) Cl.** **13-03**

(52) **U.S. Cl.** **D13/146; D13/133; D13/147;**
D13/154

(58) **Field of Classification Search** D14/256,
D14/363, 367, 432-439, 489; D13/123,
D13/154, 184, 146, 147, 120, 133, 199; 439/159,
439/160, 433, 630, 65, 295, 441, 660, 862,
439/152, 607-610, 131, 299, 300, 345, 372,
439/928.1, 344, 395, 409, 500, 676; 361/685,
361/727; 200/51.09

See application file for complete search history.

(56) **References Cited**

U.S. PATENT DOCUMENTS

6,361,359 B1 * 3/2002 Du et al. 439/500

D455,126 S * 4/2002 Wu D13/147
D486,448 S * 2/2004 Watanabe et al. D13/147
6,951,488 B2 * 10/2005 Hsieh 439/660
D529,443 S * 10/2006 Chien D13/147
D531,958 S * 11/2006 Yang et al. D13/147
D538,228 S * 3/2007 Wang et al. D13/146

* cited by examiner

Primary Examiner—Cathron Brooks
Assistant Examiner—Deanna Fluegeman
(74) *Attorney, Agent, or Firm*—Wei Te Chung

(57) **CLAIM**

The ornamental design for a SIM card connector, as shown.

DESCRIPTION

FIG. 1 is a perspective view of a SIM card connector showing our new design;

FIG. 2 is a front elevational view of FIG. 1;

FIG. 3 is a rear elevational view of FIG. 1;

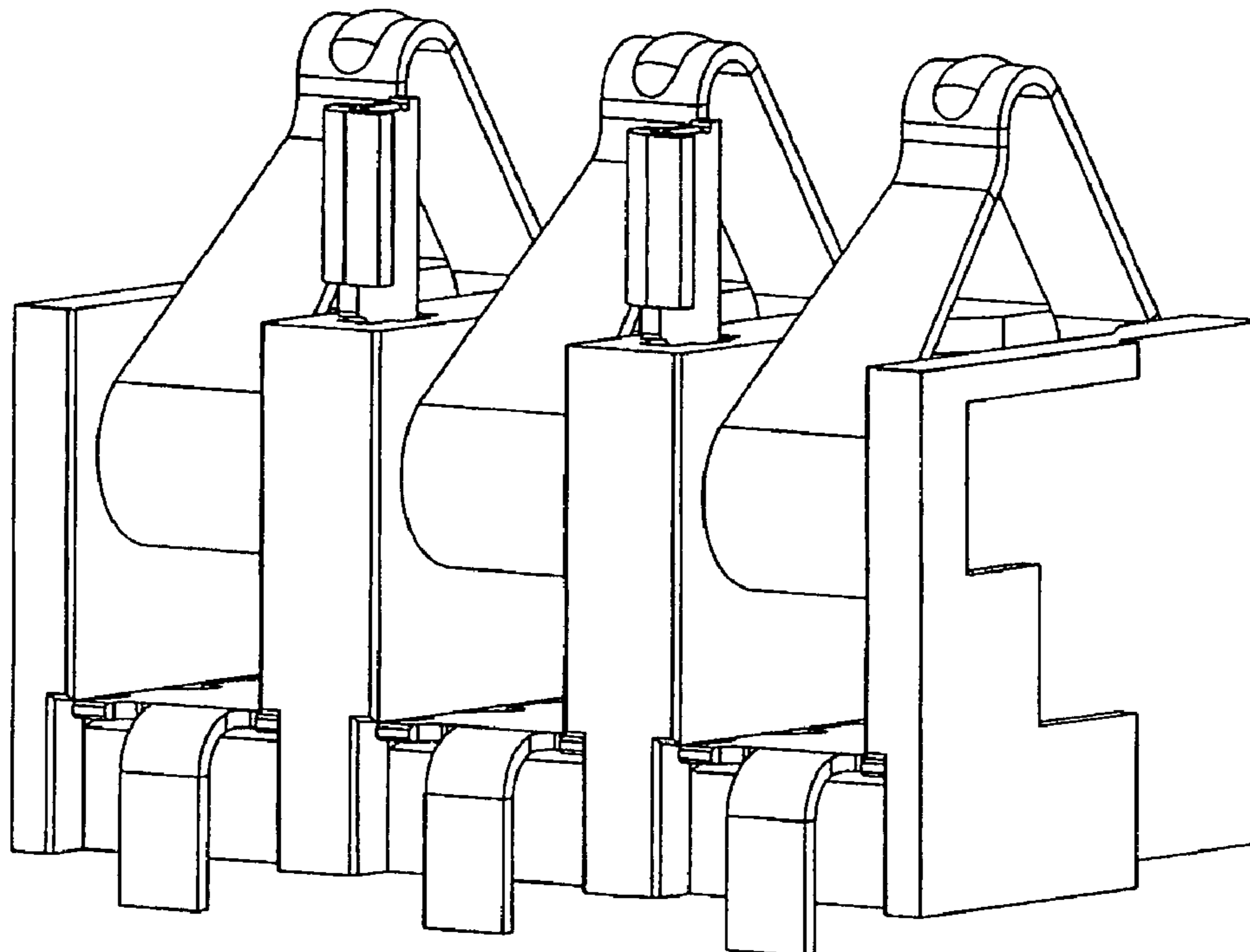
FIG. 4 is a left side elevational view of FIG. 1;

FIG. 5 is a right side elevational view of FIG. 1;

FIG. 6 is a top plan view of FIG. 1; and,

FIG. 7 is a bottom plan view of FIG. 1.

1 Claim, 7 Drawing Sheets



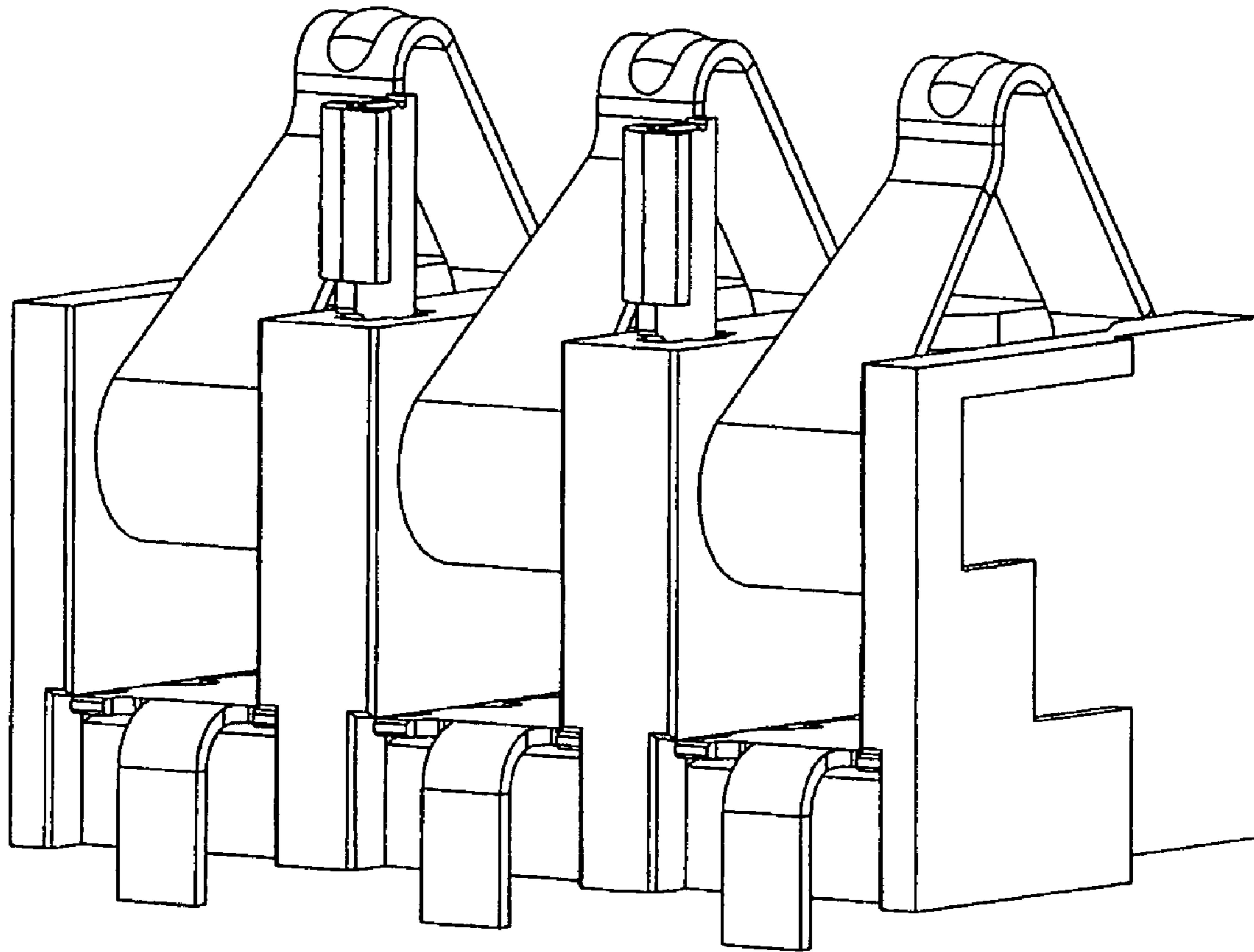


FIG. 1

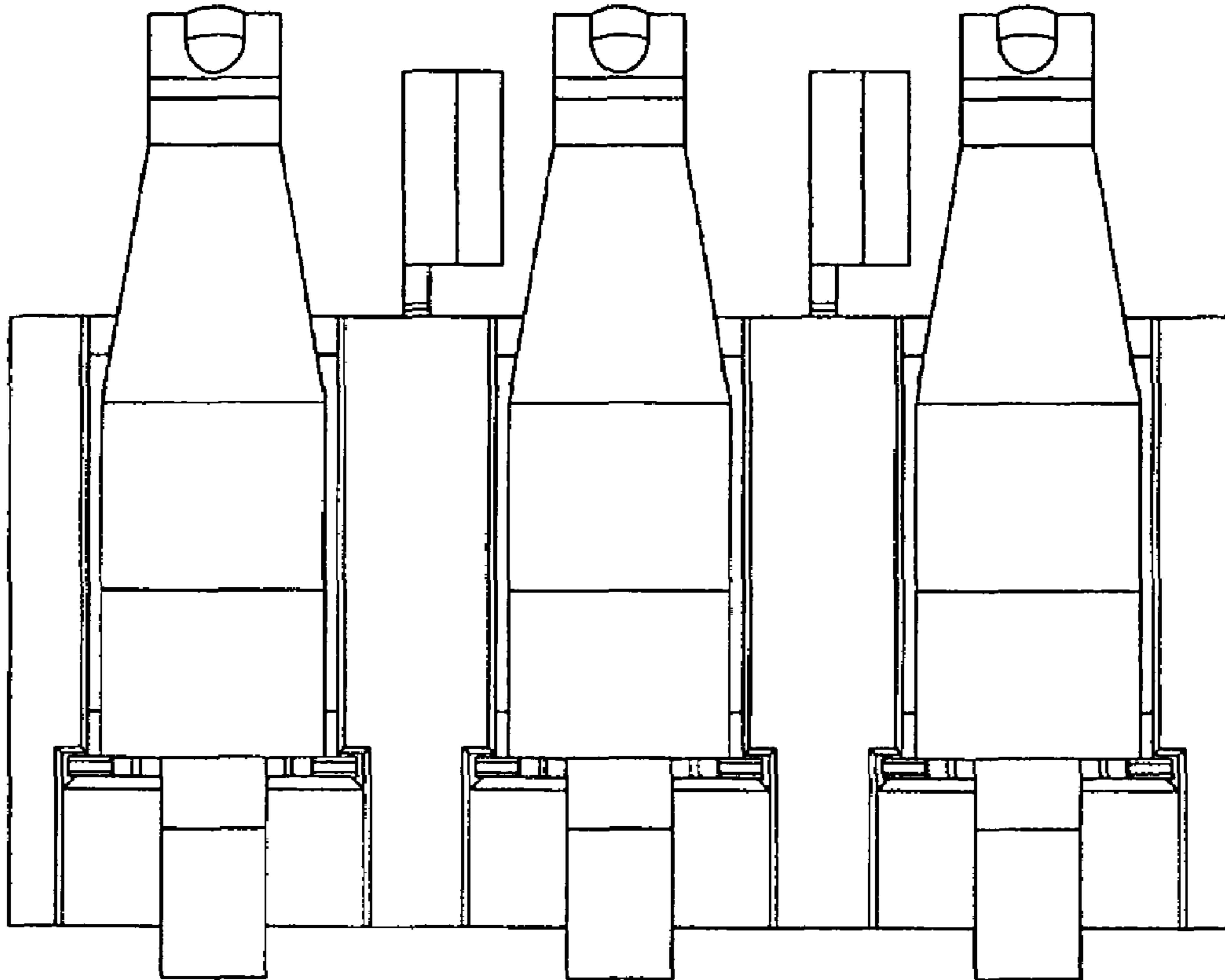


FIG. 2

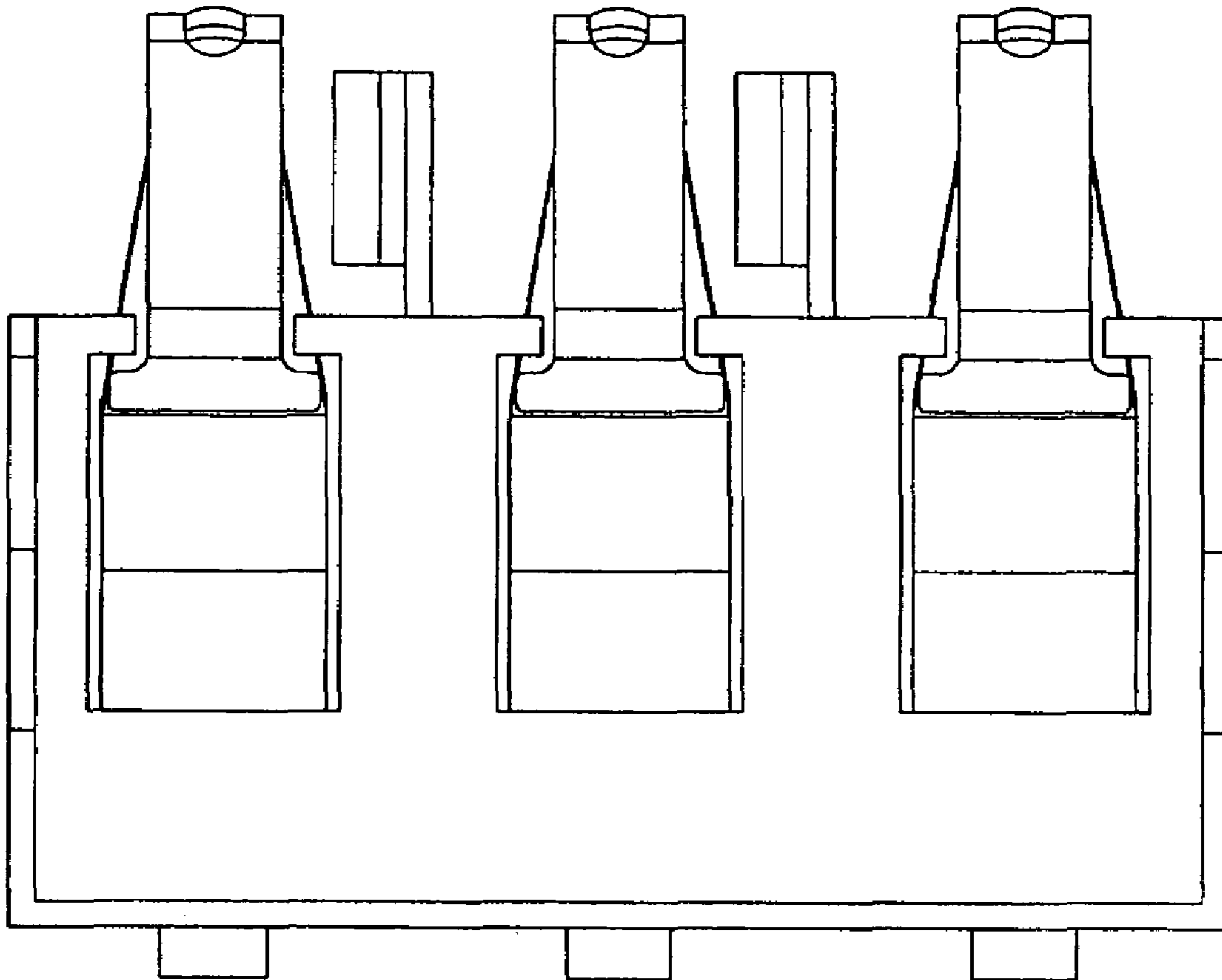


FIG. 3

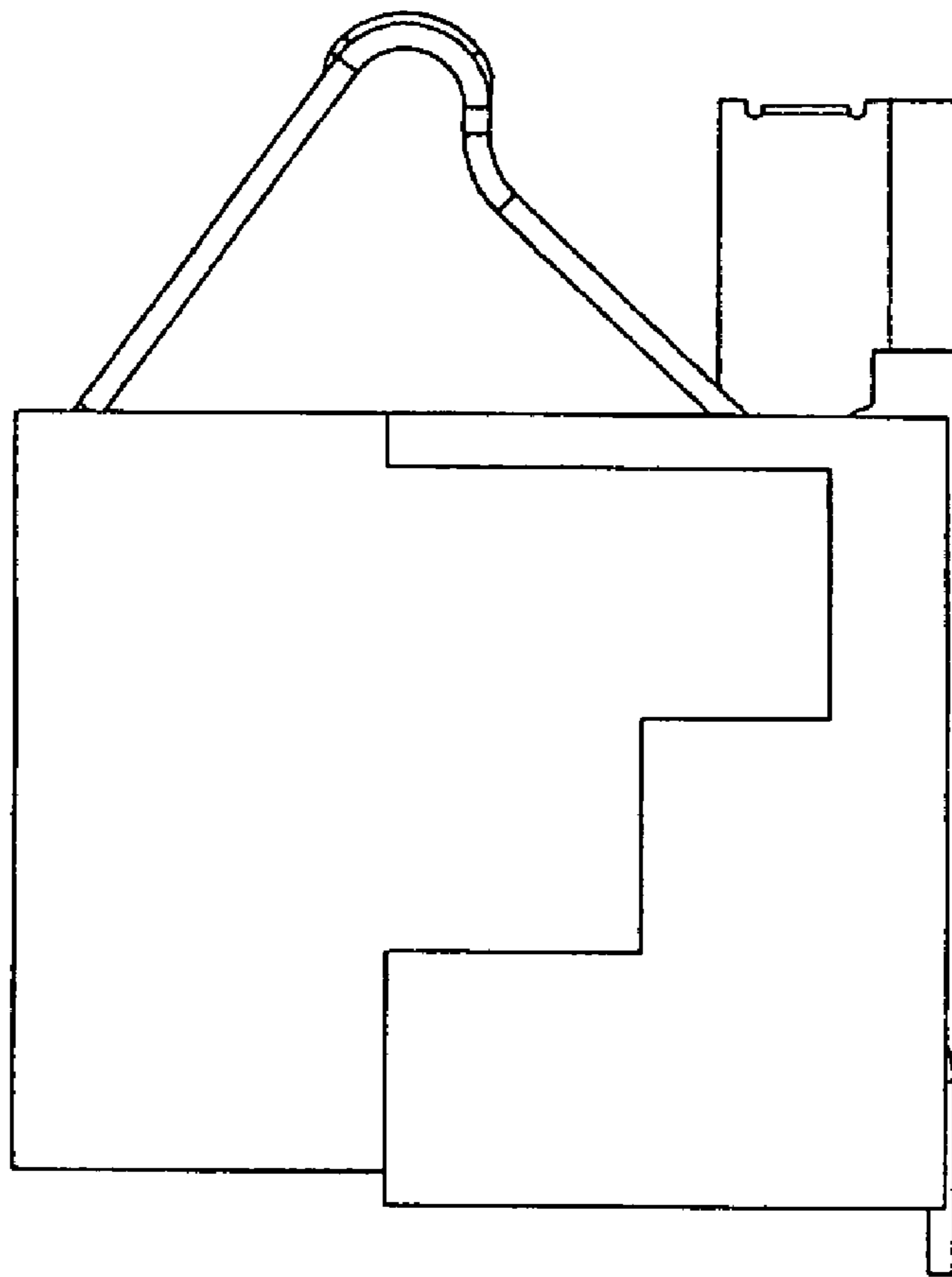


FIG. 4

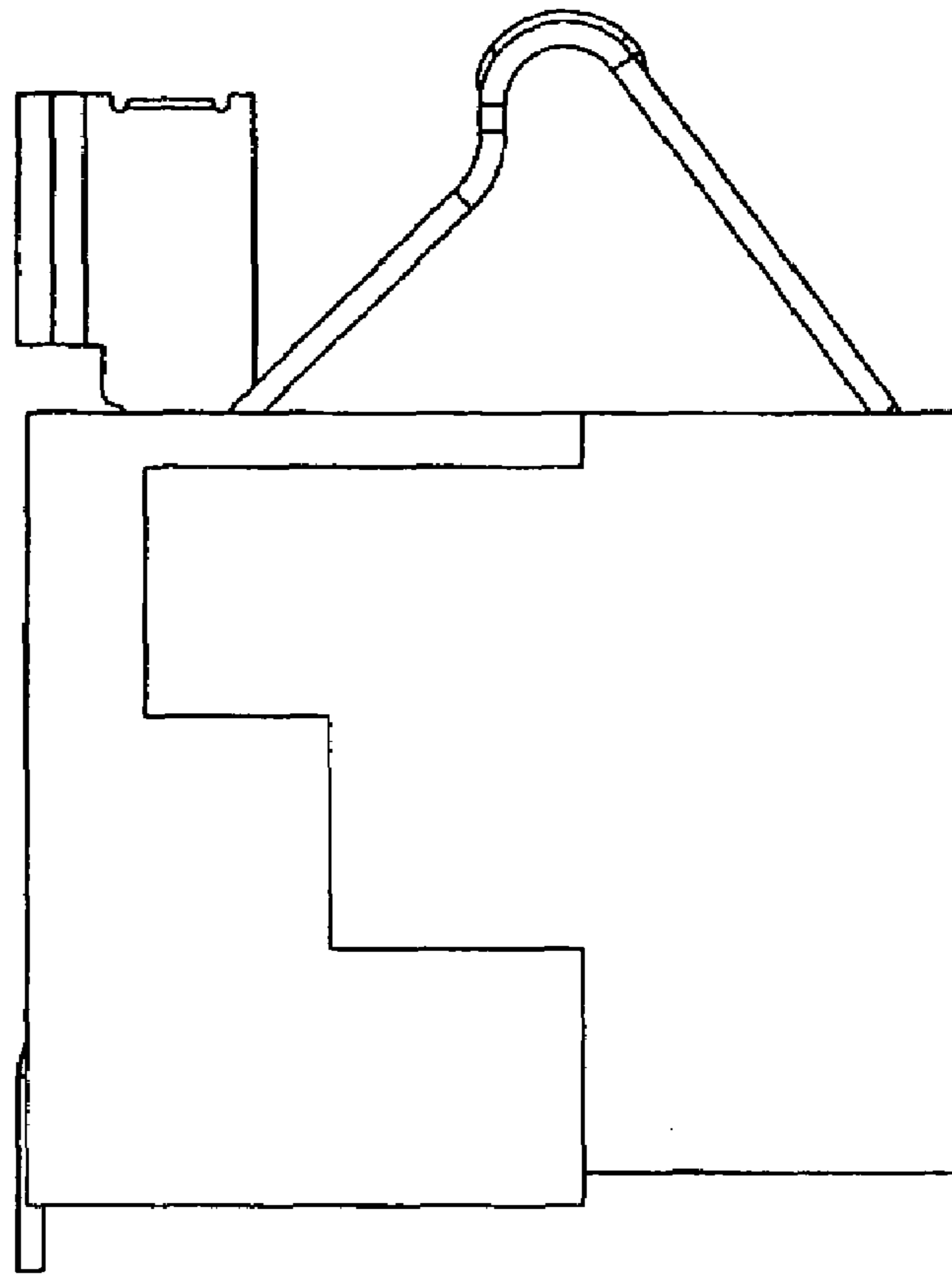


FIG. 5

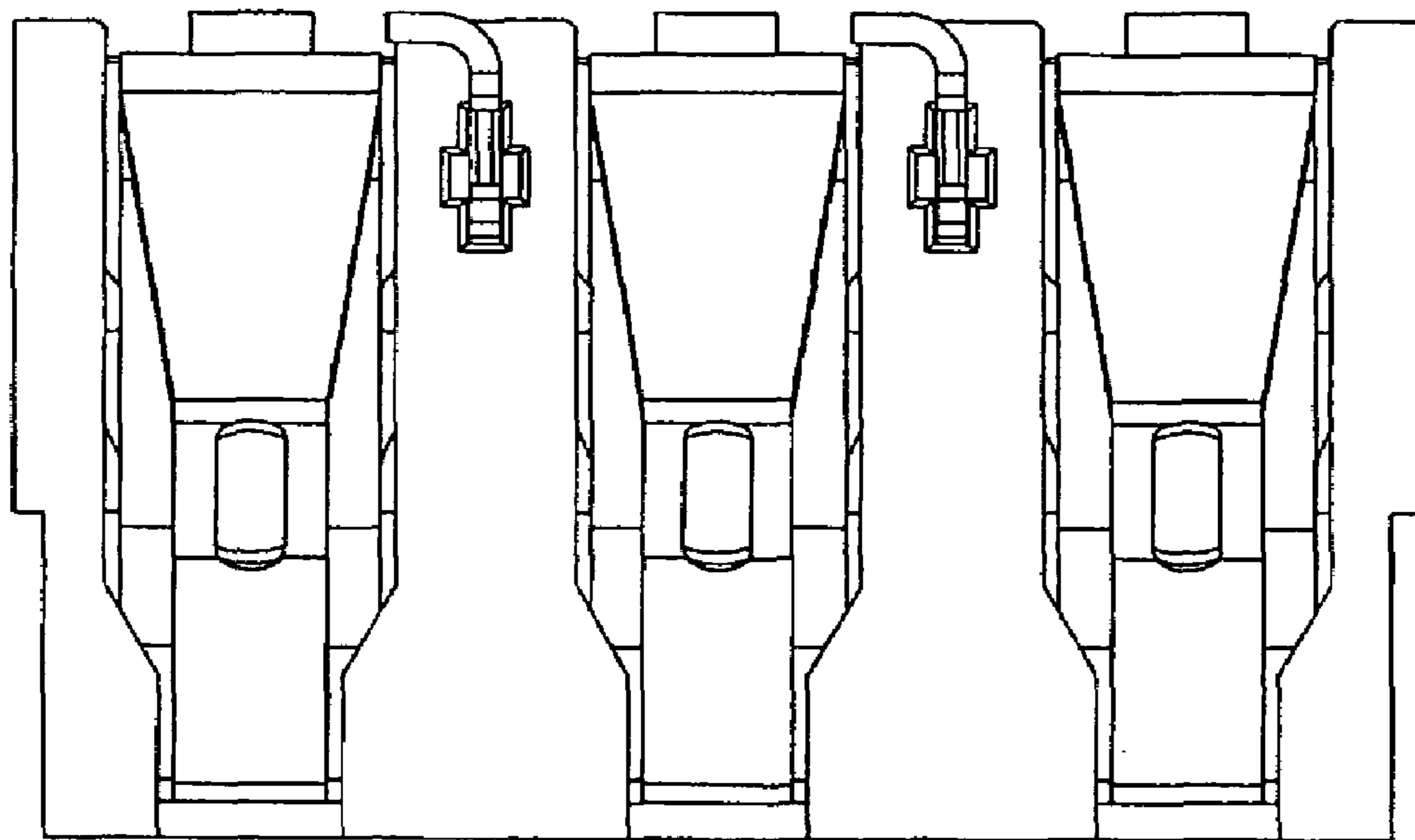


FIG. 6

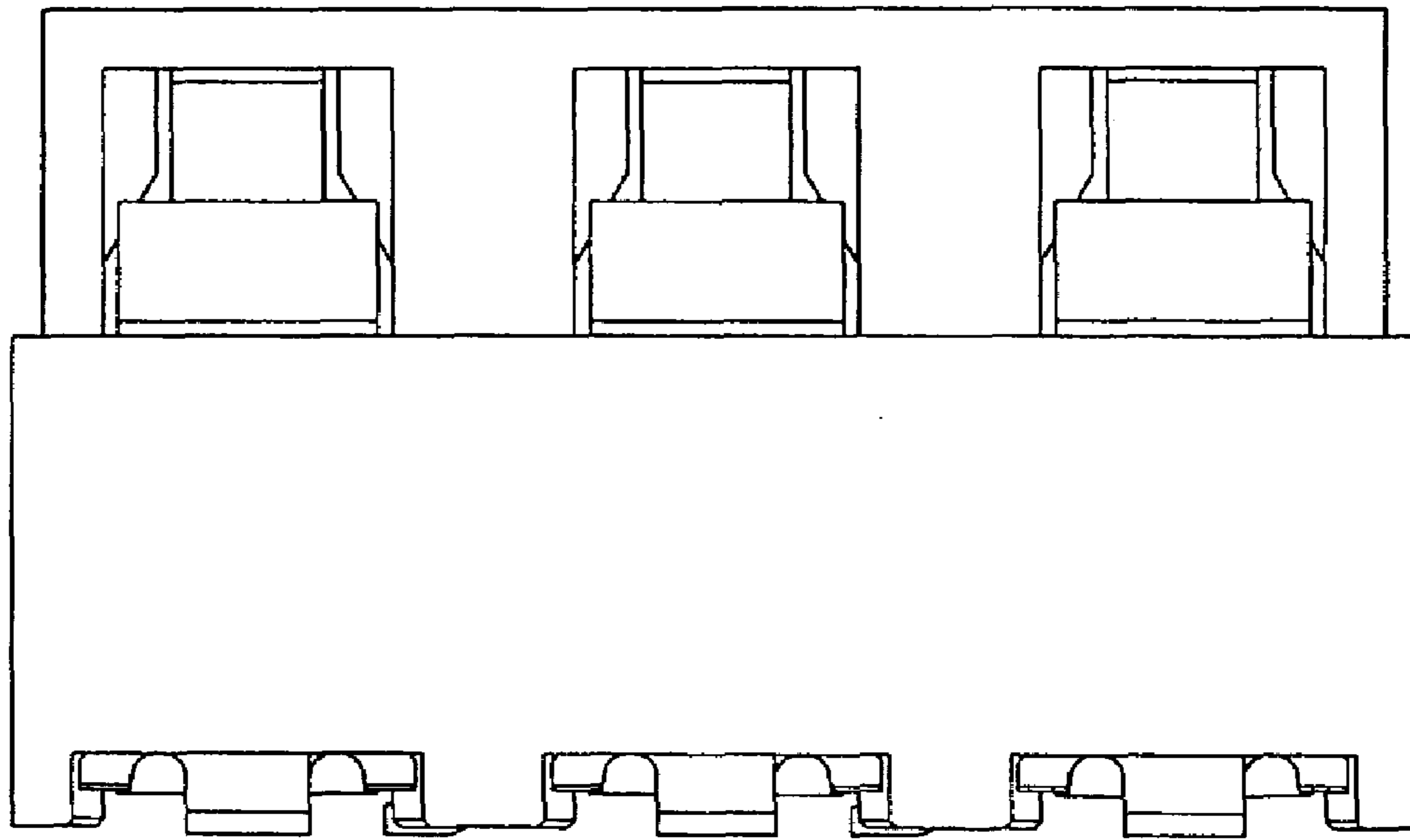


FIG. 7