



US00D562240S

(12) **United States Design Patent**
Lee

(10) **Patent No.:** **US D562,240 S**
(45) **Date of Patent:** **** Feb. 19, 2008**

(54) **IN LINE EXTENSION CORD TAP**

(75) Inventor: **Dominic Kan Nam Lee**, Hong Kong (HK)

(73) Assignee: **Multiway Industries Ltd**, Hong Kong (CN)

(**) Term: **14 Years**

(21) Appl. No.: **29/288,336**

(22) Filed: **Jun. 7, 2007**

(51) **LOC (8) Cl.** **13-03**

(52) **U.S. Cl.** **D13/137.2**

(58) **Field of Classification Search** D13/107,
D13/108, 110, 133, 137.1-137.3, 139.1, 139.3,
D13/184; D14/433; 174/53-58, 66; 439/105-107,
439/535, 650-655, 692

See application file for complete search history.

(56) **References Cited**

U.S. PATENT DOCUMENTS

D251,293 S *	3/1979	Trueblood	D13/137.2
5,409,397 A *	4/1995	Karman	439/484
5,582,524 A	12/1996	Sanner et al.		
D409,146 S	5/1999	Fladung		
5,931,702 A	8/1999	Fladung		
D446,502 S *	8/2001	Wen	D13/137.2

* cited by examiner

Primary Examiner—Cathron Brooks
Assistant Examiner—Rosemary K Tarcza

(74) *Attorney, Agent, or Firm*—Frost Brown Todd, LLC

(57) **CLAIM**

The ornamental design for an in line extension cord tap, as shown and described.

DESCRIPTION

FIG. 1 presents a top pictorial view of an in line tap embodying my ornamental design.

FIG. 2 presents a top plan of the in line tap shown in FIG. 1.

FIG. 3 presents a left side elevational view of the in line tap shown in FIG. 1.

FIG. 4 presents a bottom view of the in line tap shown in FIG. 1.

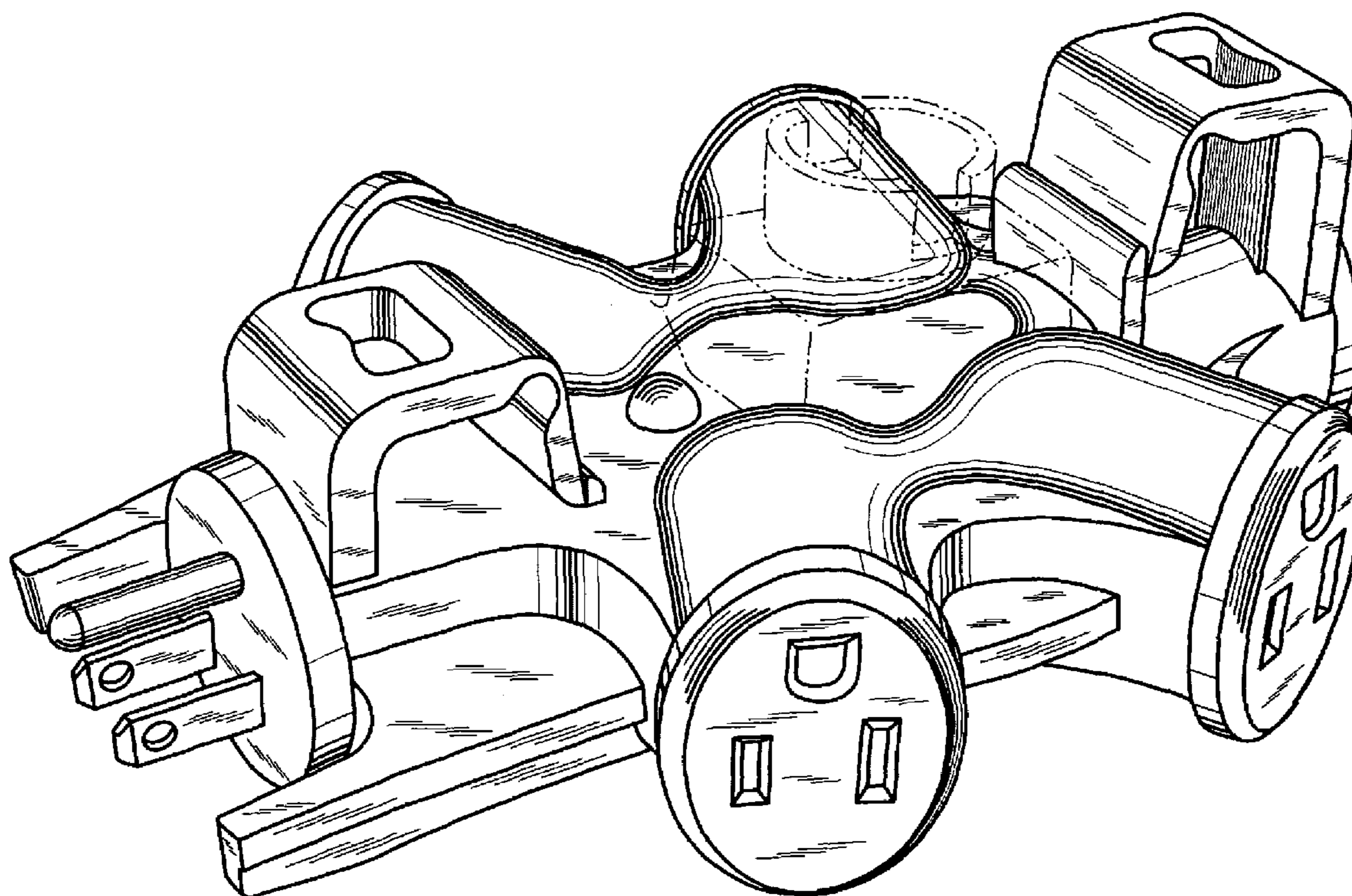
FIG. 5 presents a rear elevational view of the in line tap shown in FIG. 1; and,

FIG. 6 presents a front elevational view of the in line tap shown in FIG. 1.

The right side elevational view is a reverse of FIG. 3.

The broken lines in the drawings are for illustrative purposes only and form no part of the claimed design.

1 Claim, 6 Drawing Sheets



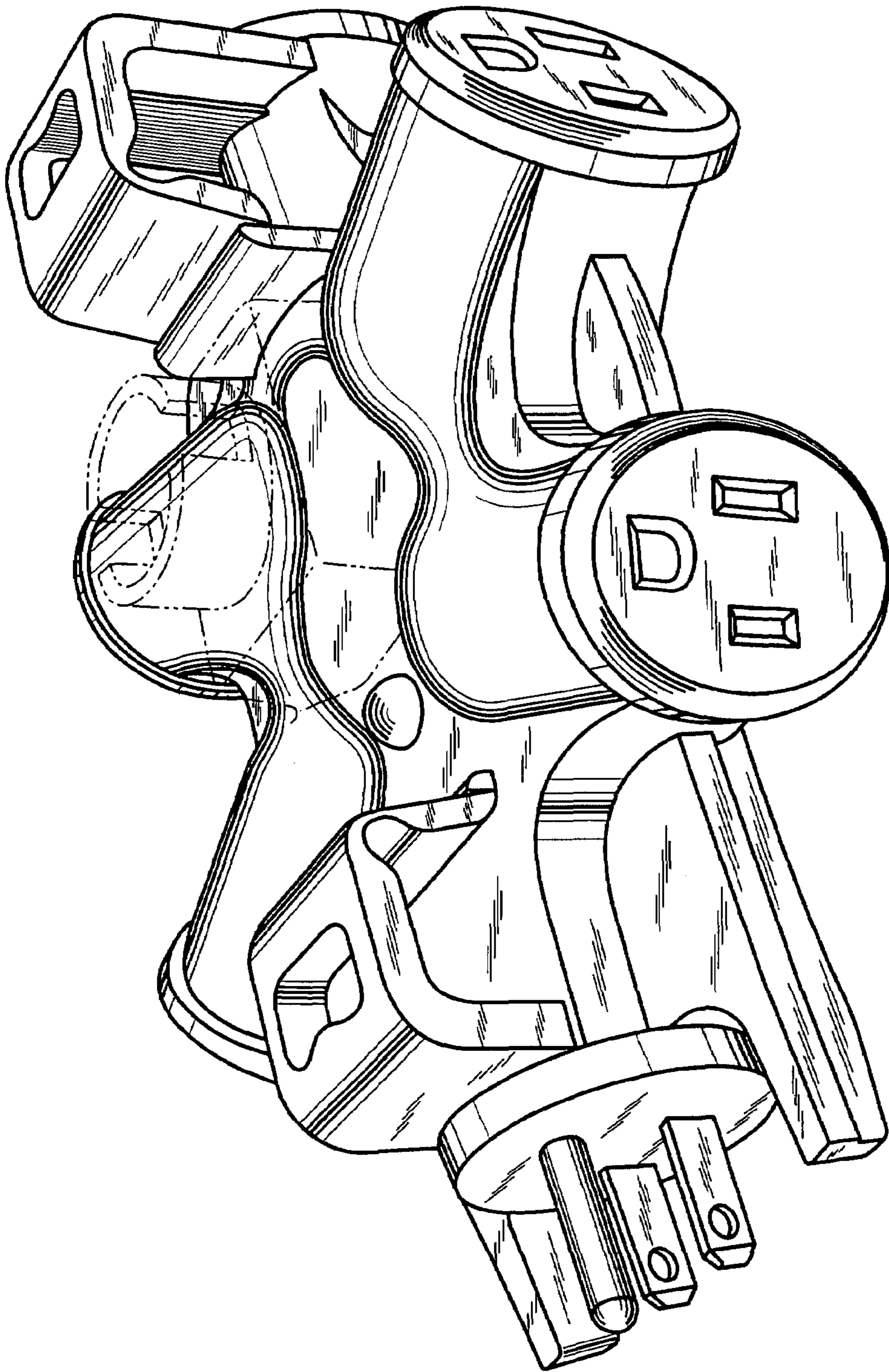


FIG. 1

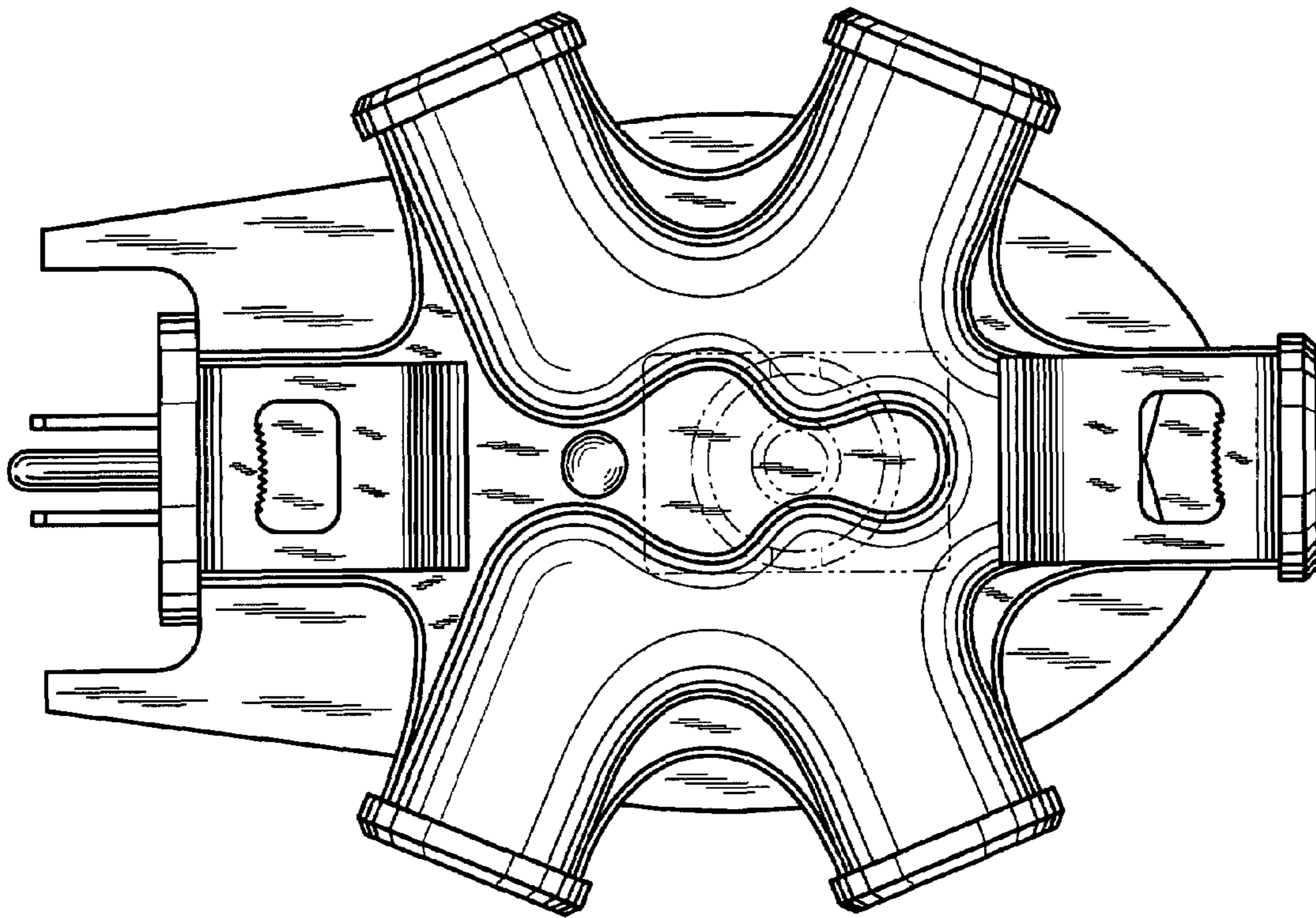
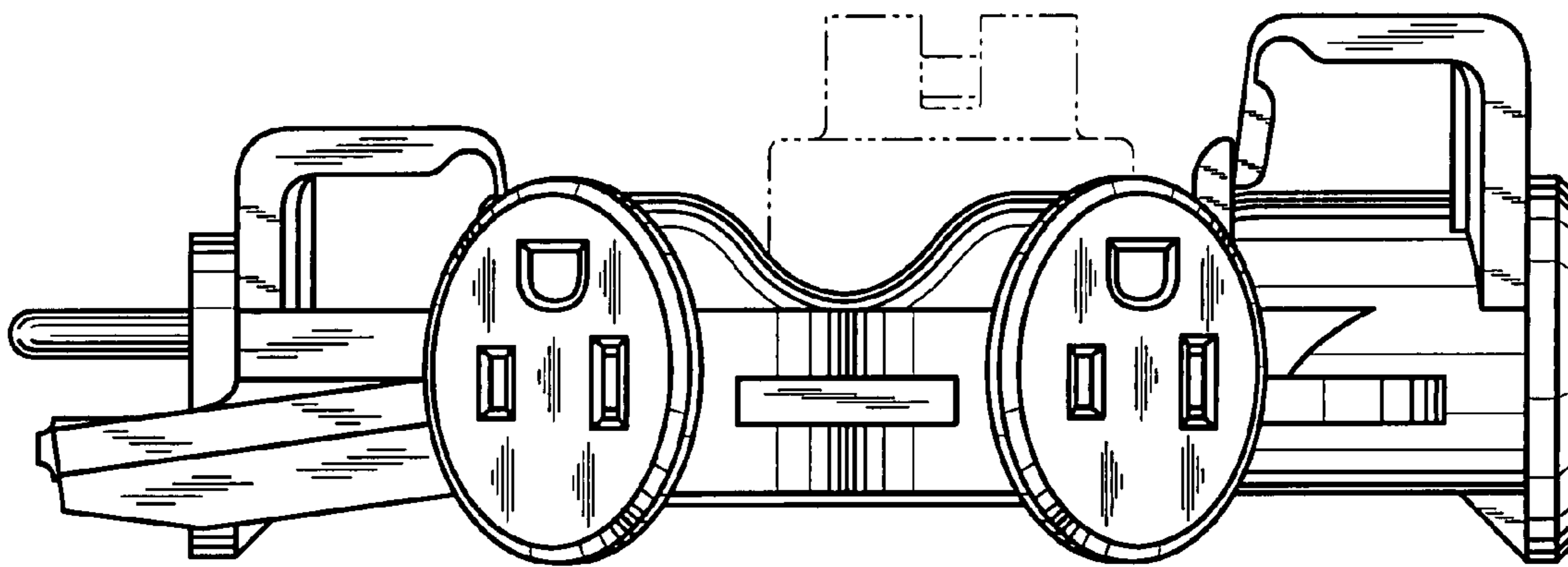
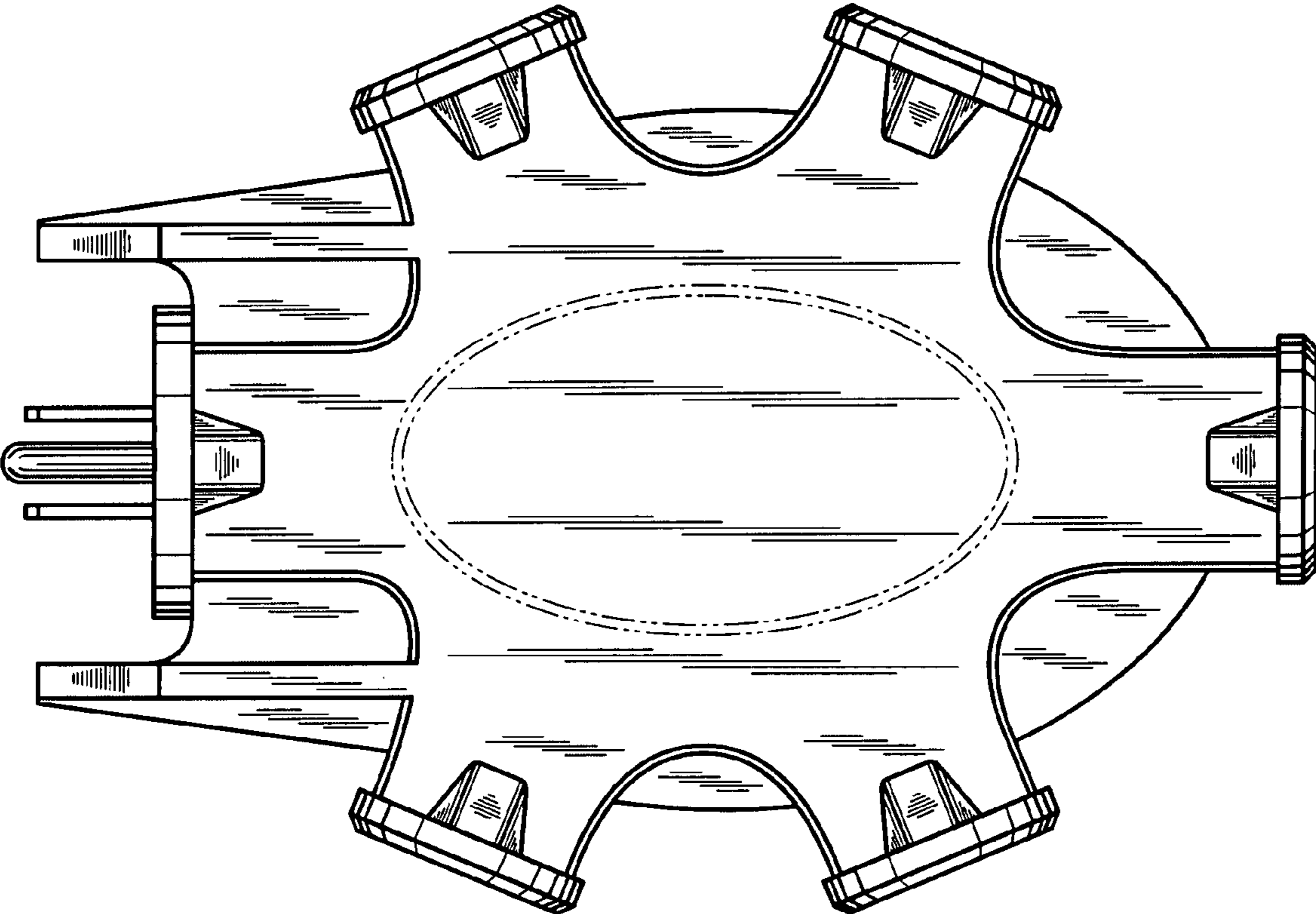


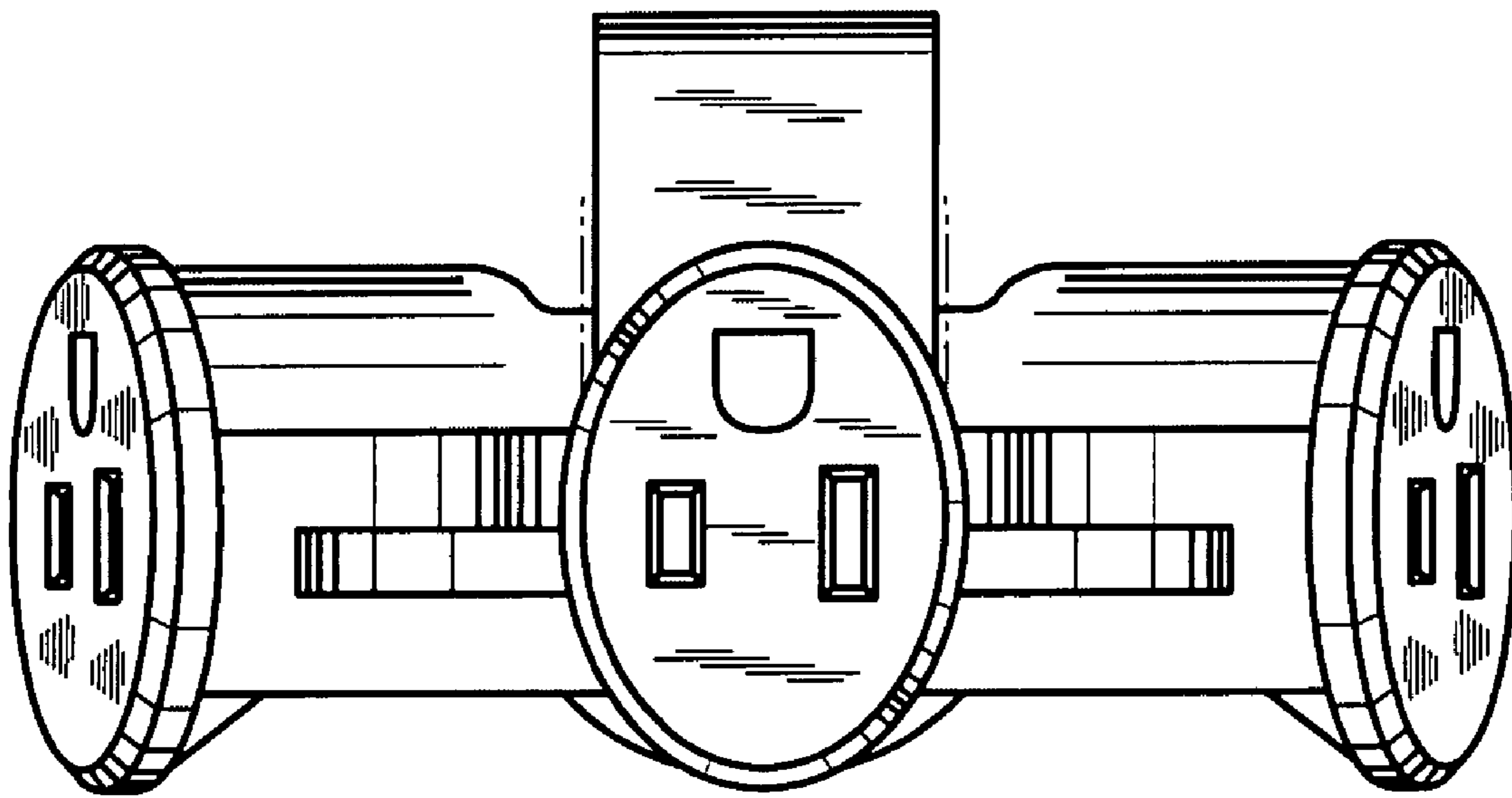
FIG. 2



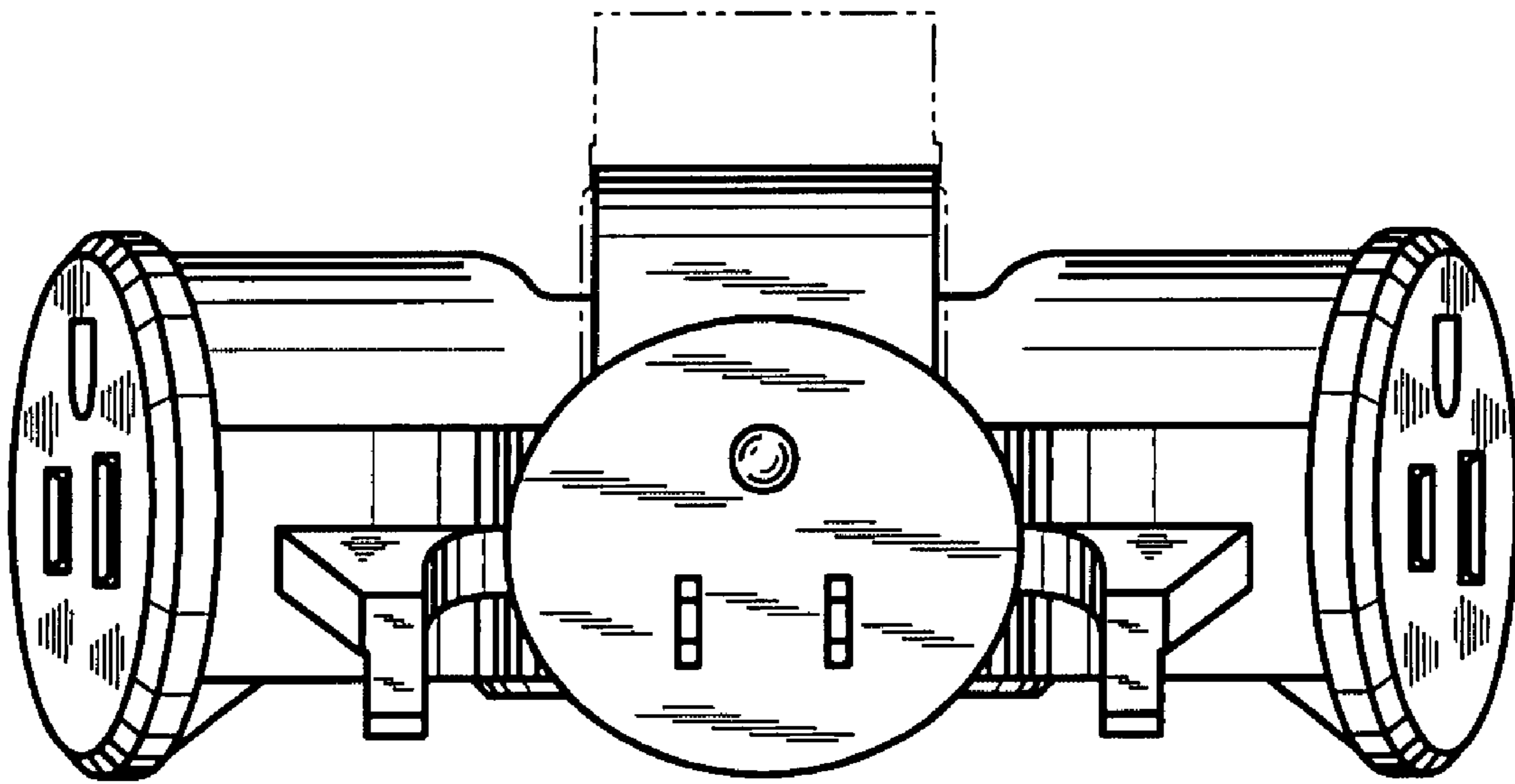
—FIG. 3



—FIG. 4



— FIG. 5



— FIG. 6