



US00D562237S

(12) **United States Design Patent**
Tu

(10) **Patent No.:** **US D562,237 S**

(45) **Date of Patent:** **** Feb. 19, 2008**

(54) **DC MOTOR**

D409,564 S * 5/1999 Koshida D13/112
D424,516 S * 5/2000 Friedrichsen D13/112
6,657,338 B2 * 12/2003 Fisher et al. 310/89

(76) **Inventor:** **Ta-Sen Tu**, No. 345, Shuiyuan Rd.,
Fengyuan City, Taichung County (TW)

* cited by examiner

(**) **Term:** **14 Years**

Primary Examiner—Prabhakar Deshmukh

Assistant Examiner—Derrick Holland

(21) **Appl. No.:** **29/274,659**

(74) *Attorney, Agent, or Firm*—Rosenberg, Klein & Lee

(22) **Filed:** **May 14, 2007**

(57) **CLAIM**

(51) **LOC (8) Cl.** **13-01**

The ornamental design for a DC motor, as shown and described.

(52) **U.S. Cl.** **D13/112**

(58) **Field of Classification Search** D13/112,
D13/101, 113, 114, 122; D15/5, 199; 310/40 R,
310/98, 109, 130, 137, 177; 318/254
See application file for complete search history.

DESCRIPTION

(56) **References Cited**

FIG. 1 is a perspective view of a DC motor showing my new design;

FIG. 2 is a top plan view thereof;

FIG. 3 is a bottom plan view thereof;

FIG. 4 is a front elevational view thereof;

FIG. 5 is a rear elevational view thereof;

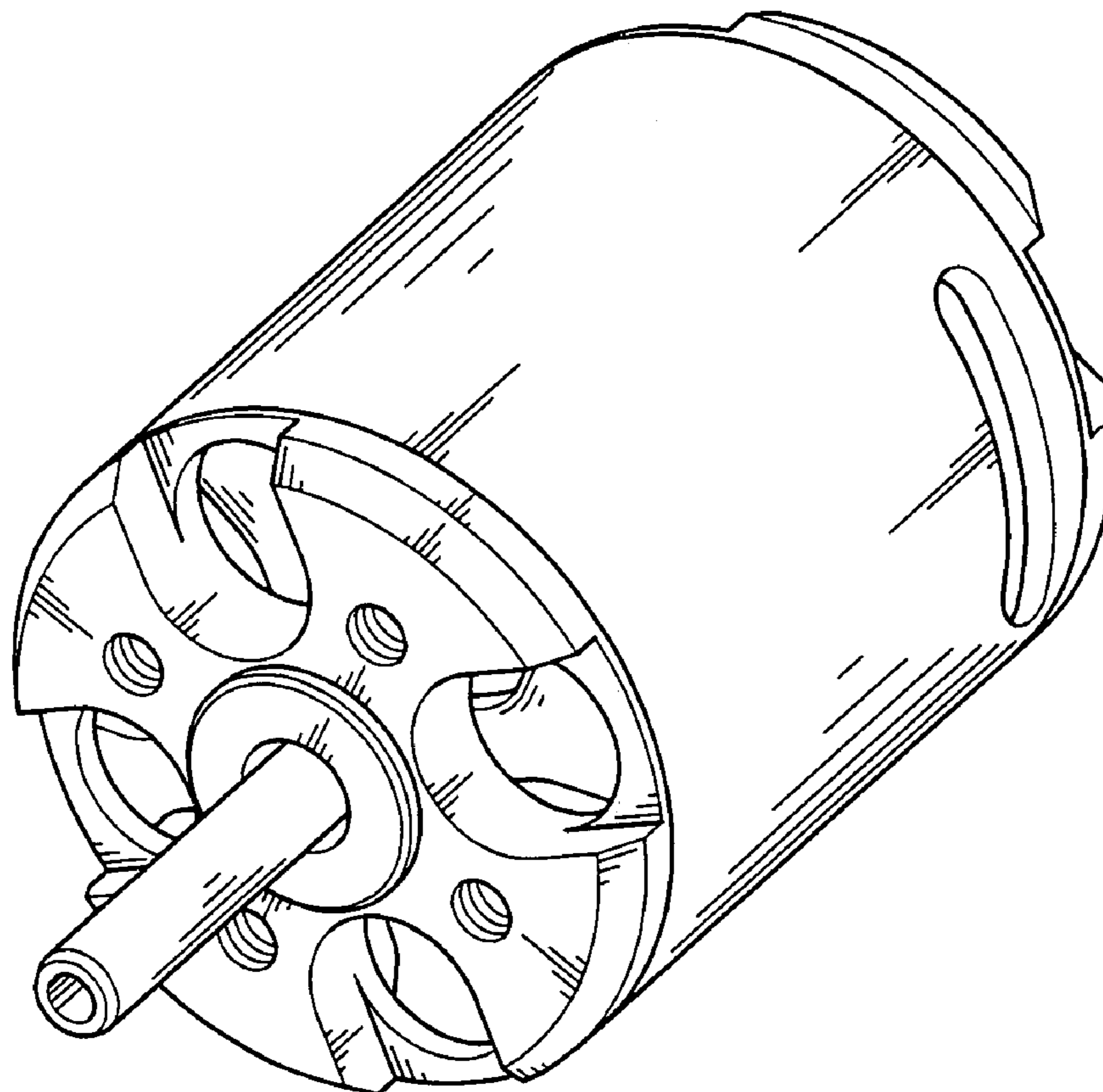
FIG. 6 is a left side elevational view thereof; and,

FIG. 7 is a right side elevational view thereof.

U.S. PATENT DOCUMENTS

2,643,351	A *	6/1953	Feiertag	310/258
D172,769	S *	8/1954	Sunberg	D13/112
D205,662	S *	9/1966	Bluemink	D13/112
D213,563	S *	3/1969	Mabuchi	D13/112
3,832,583	A *	8/1974	Chang	310/201
D298,228	S *	10/1988	Hoshino	D13/112
D310,816	S *	9/1990	Sawato et al.	D13/112
D354,476	S *	1/1995	Ehrhart	D13/122

1 Claim, 4 Drawing Sheets



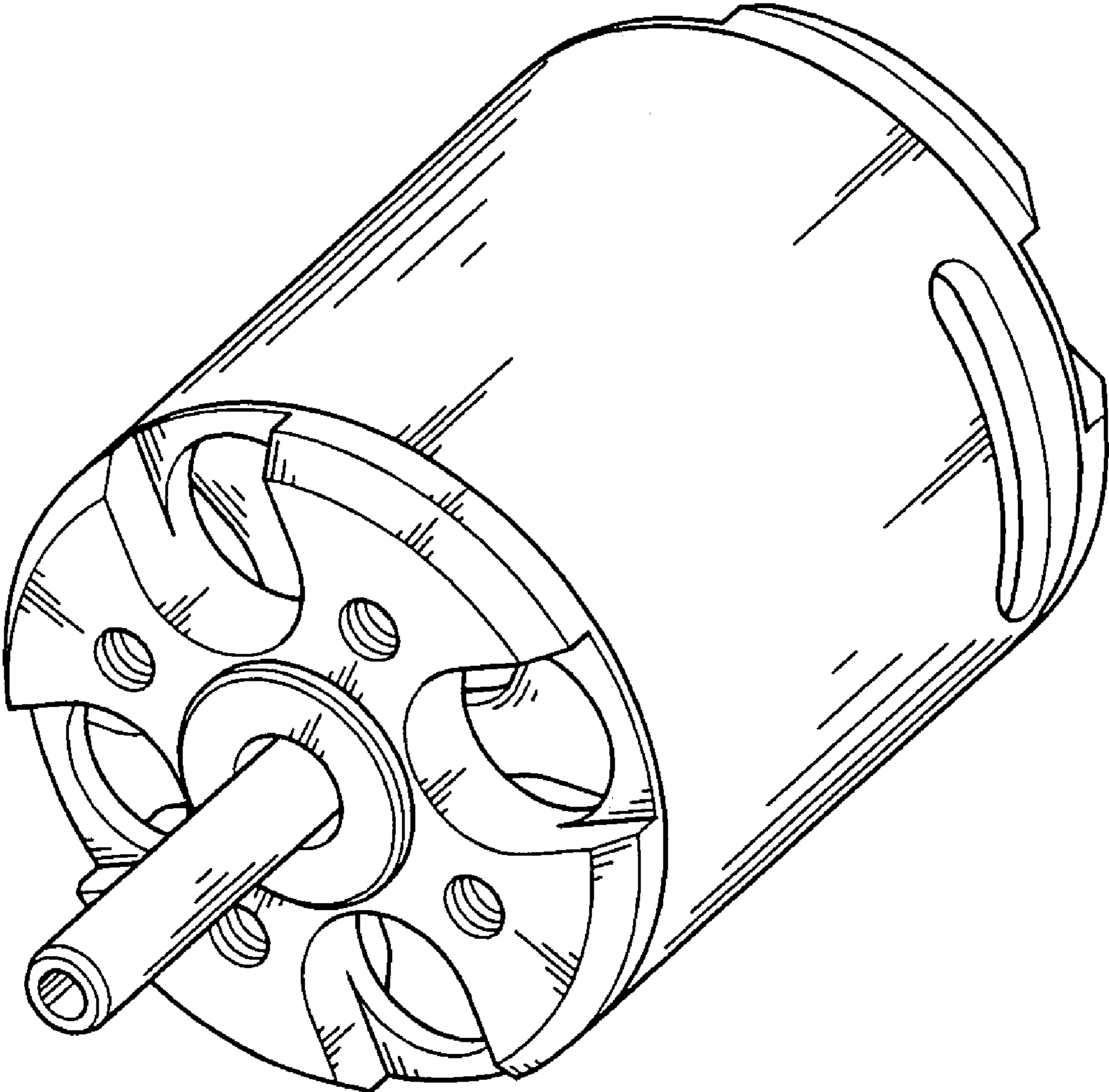


FIG. 1

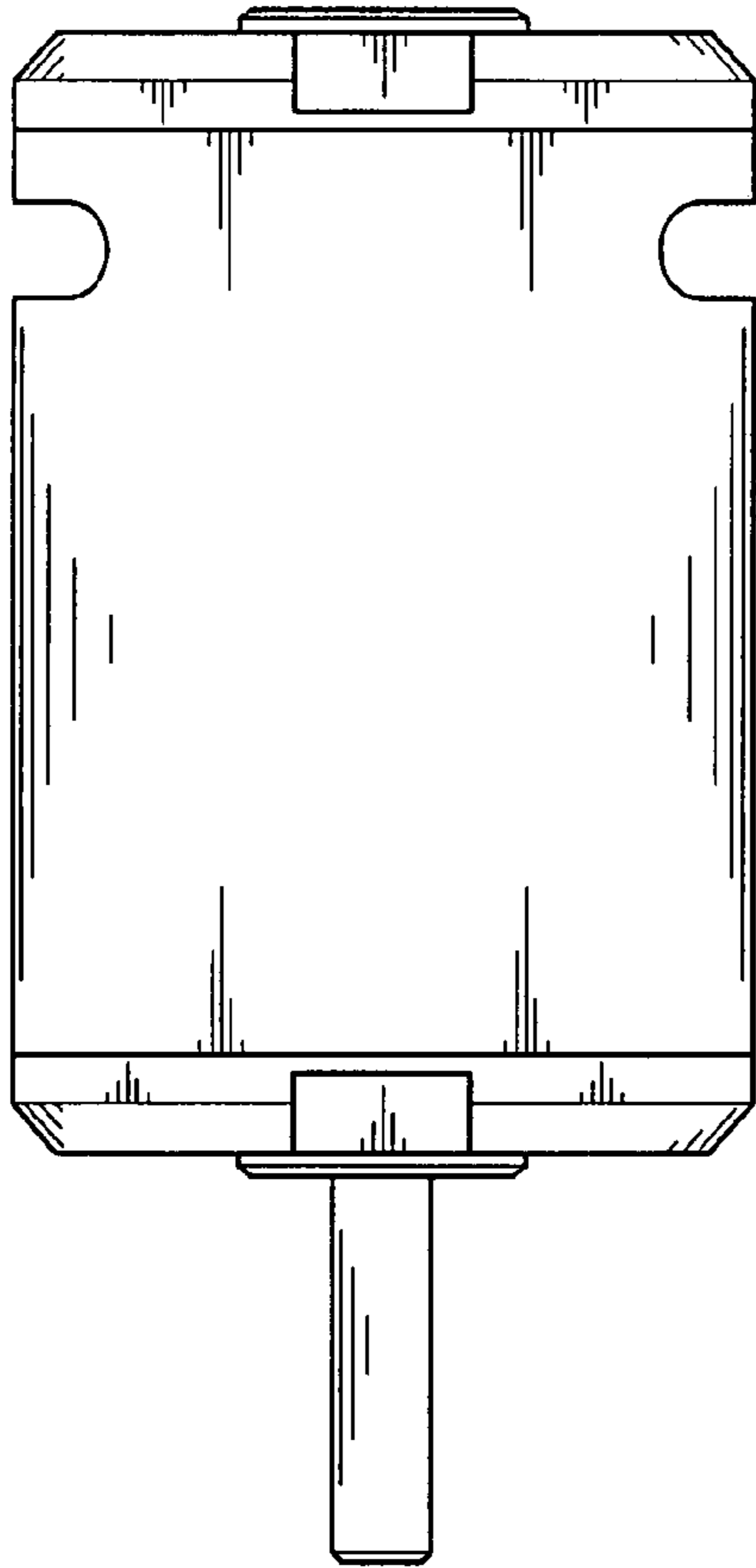


FIG. 2

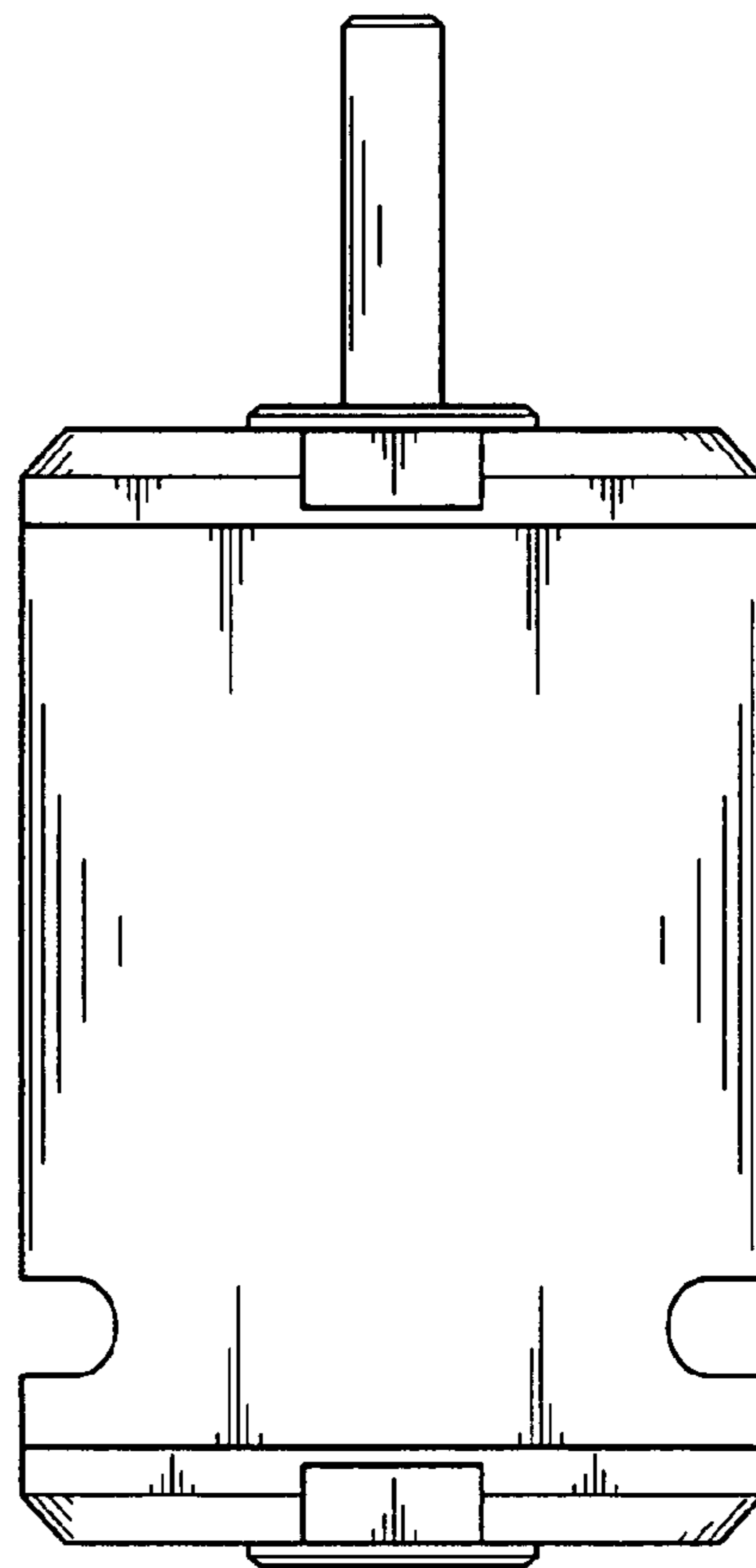


FIG. 3

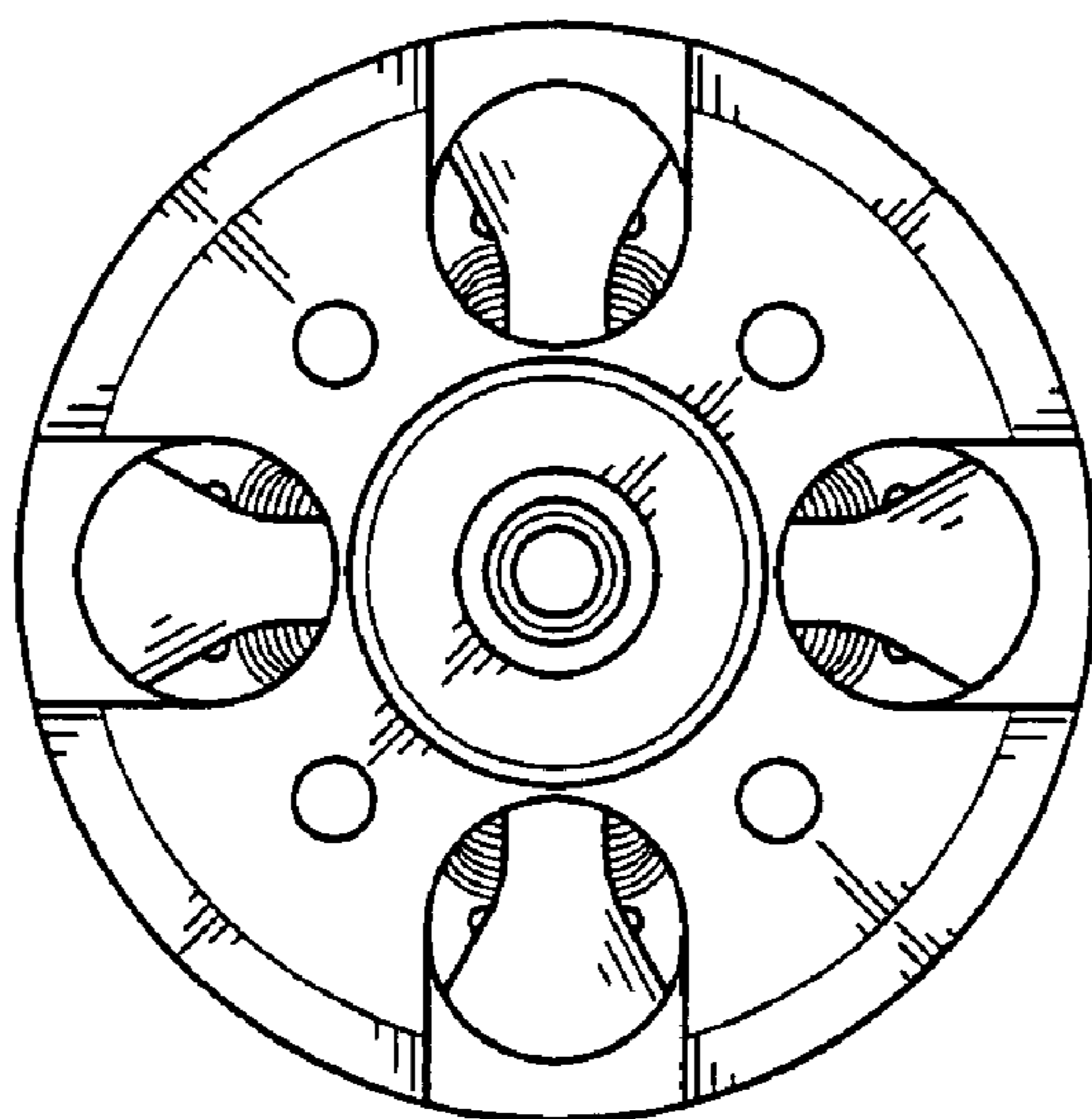


FIG. 4

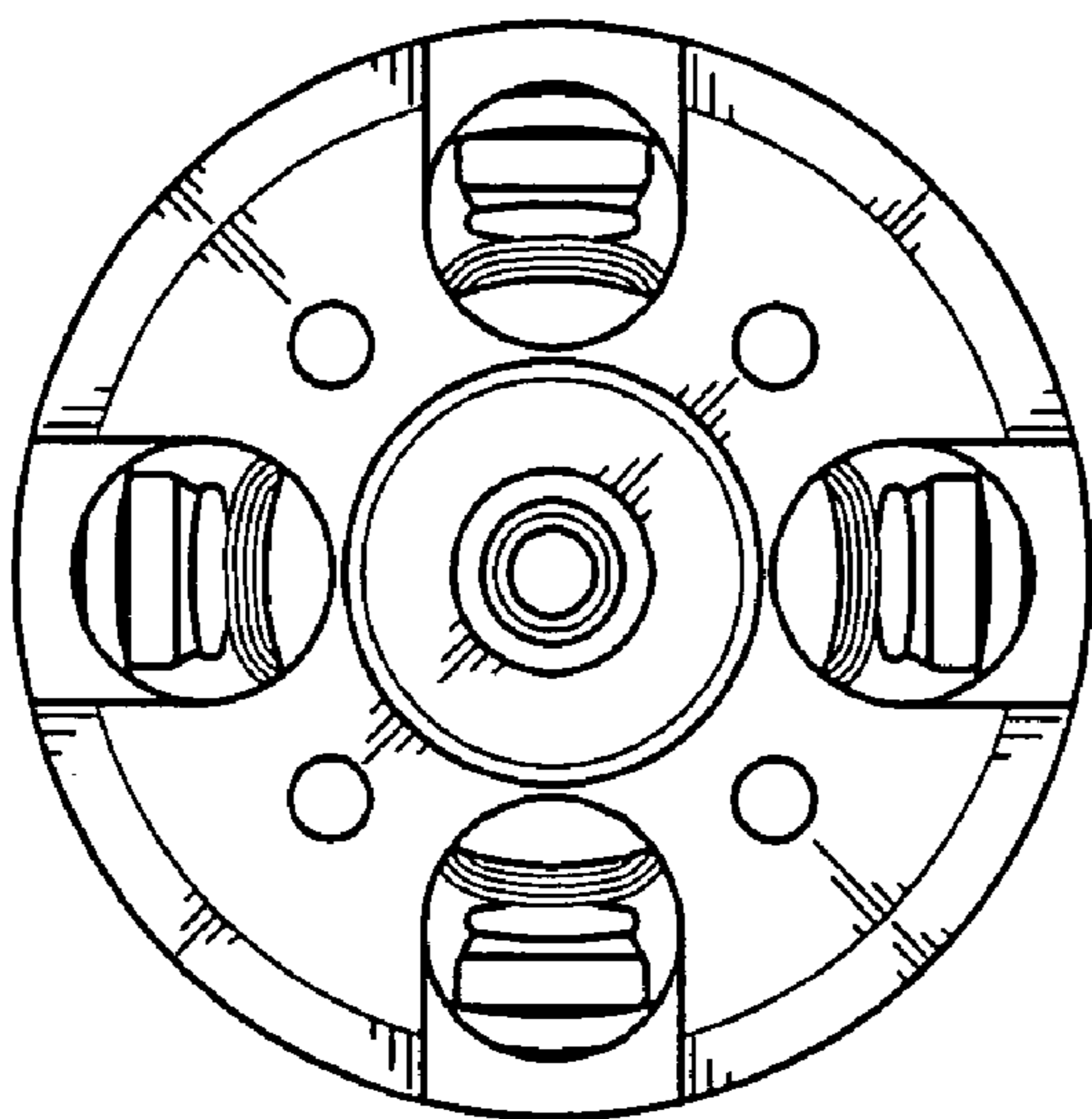


FIG. 5

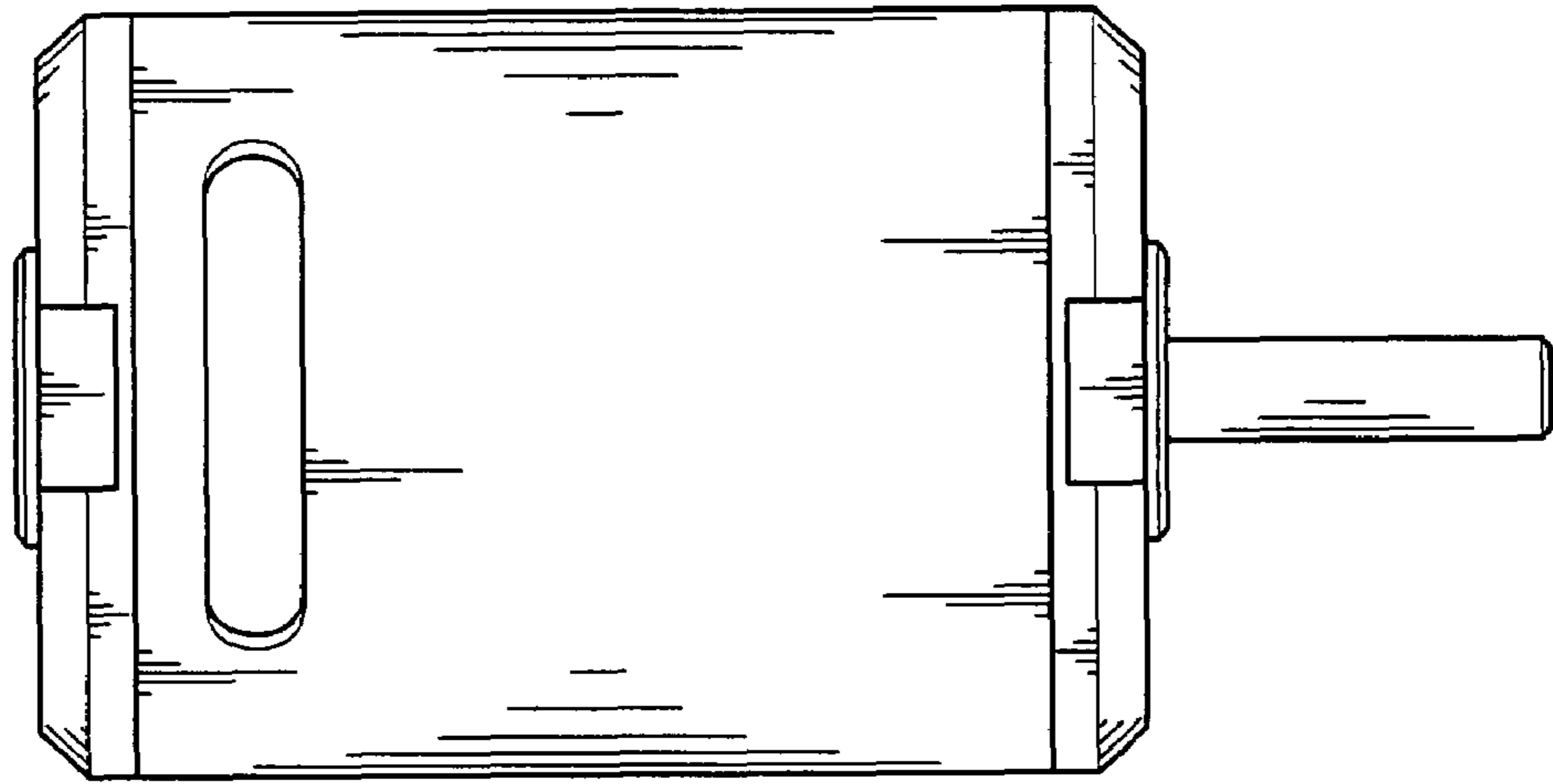


FIG. 6

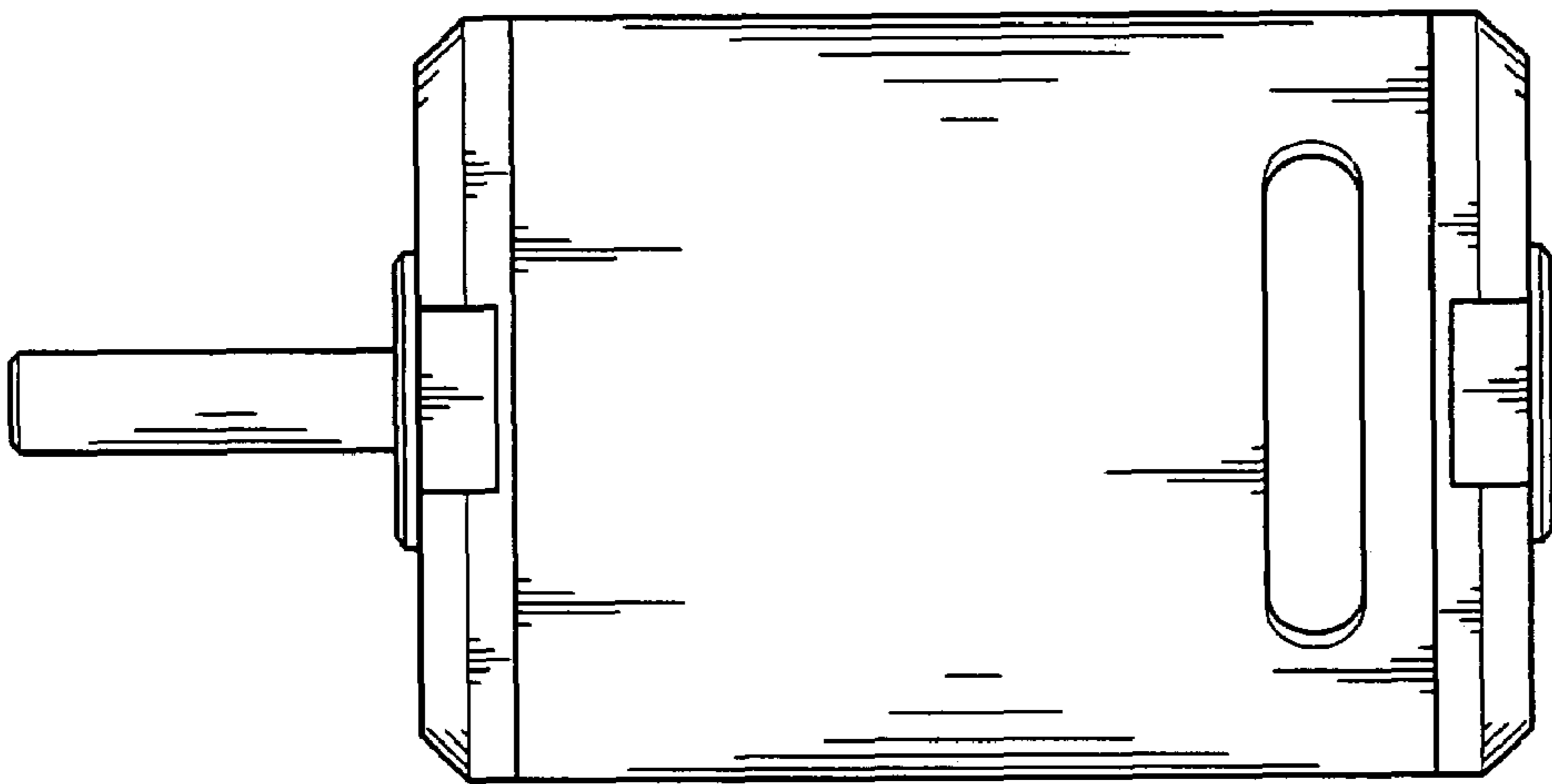


FIG. 7