

US00D562236S

(12) **United States Design Patent**  
**Marchetto et al.**

(10) **Patent No.:** **US D562,236 S**  
(45) **Date of Patent:** **\*\* Feb. 19, 2008**

(54) **MOTOR FOR LIFTABLE DOORS**

D424,516 S \* 5/2000 Friedrichsen ..... D13/112  
D457,493 S \* 5/2002 Borges ..... D13/112

(75) Inventors: **Oscar Marchetto**, Oderzo (IT);  
**Roberto Gherlenda**, Oderzo (IT)

\* cited by examiner

(73) Assignee: **Nice S.p.A.**, Oderzo (IT)

*Primary Examiner*—Prabhakar Deshmukh

*Assistant Examiner*—Derrick Holland

(\*\*) Term: **14 Years**

(74) *Attorney, Agent, or Firm*—Birch, Stewart, Kolasch & Birch, LLP

(21) Appl. No.: **29/269,603**

(57) **CLAIM**

(22) Filed: **Dec. 5, 2006**

The ornamental design for motor for liftable doors, as shown and described.

(30) **Foreign Application Priority Data**

Jun. 6, 2006 (IT) ..... TV06O0033

**DESCRIPTION**

(51) **LOC (8) Cl.** ..... **13-01**

(52) **U.S. Cl.** ..... **D13/112**

(58) **Field of Classification Search** ..... D13/112,  
D13/114, 122, 199; D15/199; 310/12, 13,  
310/28, 37, 40 R, 89, 109; 318/9, 15, 255,  
318/466-468

See application file for complete search history.

FIG. 1 is a left-side view of a motor for liftable doors showing our new design;

FIG. 2 is a rear view thereof;

FIG. 3 is a perspective view thereof;

FIG. 4 is a right-side view thereof;

FIG. 5 is a front view thereof;

FIG. 6 is a top plan view thereof;

FIG. 7 is another perspective view thereof; and,

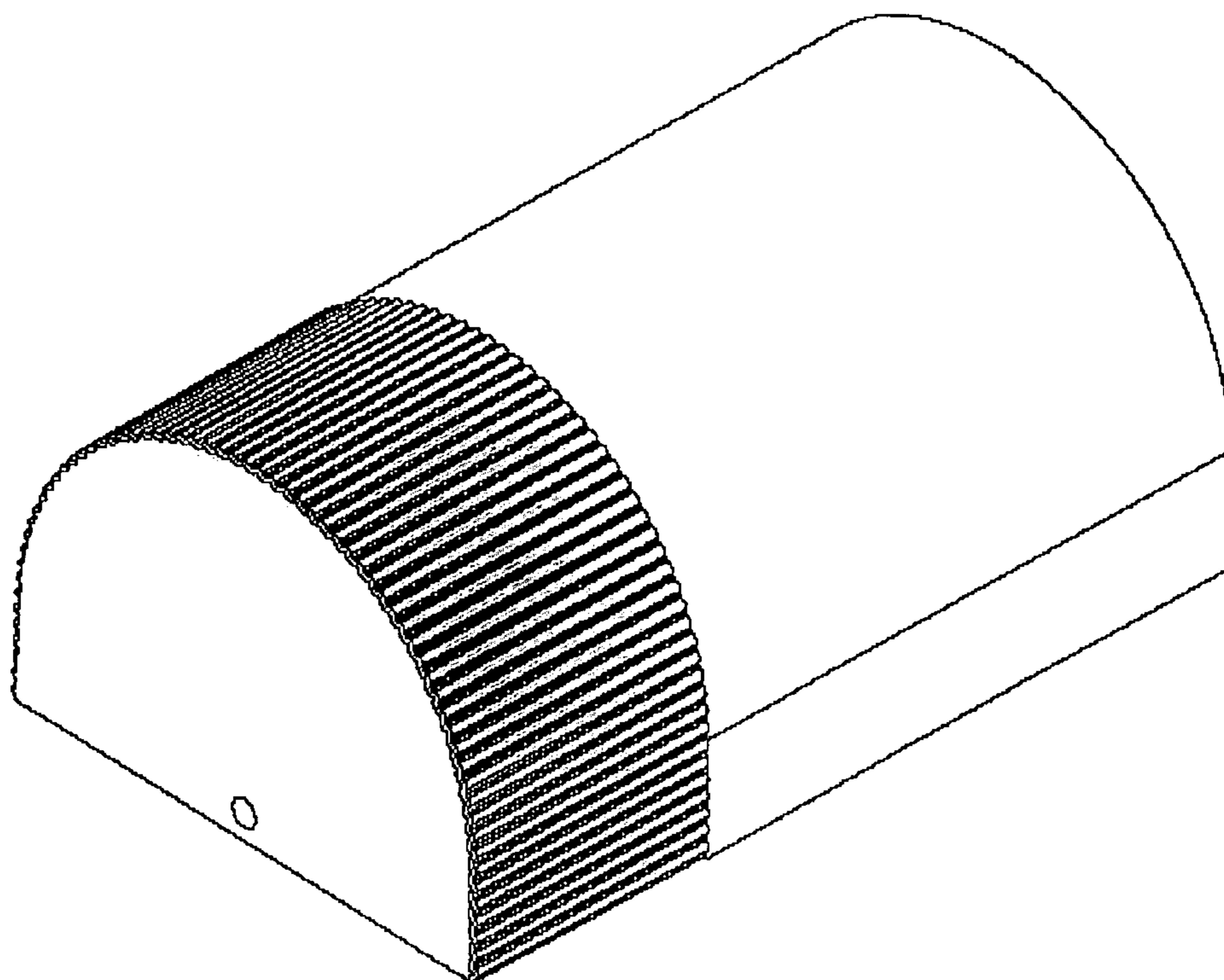
FIG. 8 is a bottom plan view thereof.

(56) **References Cited**

**U.S. PATENT DOCUMENTS**

4,290,368 A \* 9/1981 Mazzini ..... 105/341  
D380,444 S \* 7/1997 Mok ..... D13/112  
D390,188 S \* 2/1998 Norfolk et al. .... D13/112

**1 Claim, 8 Drawing Sheets**



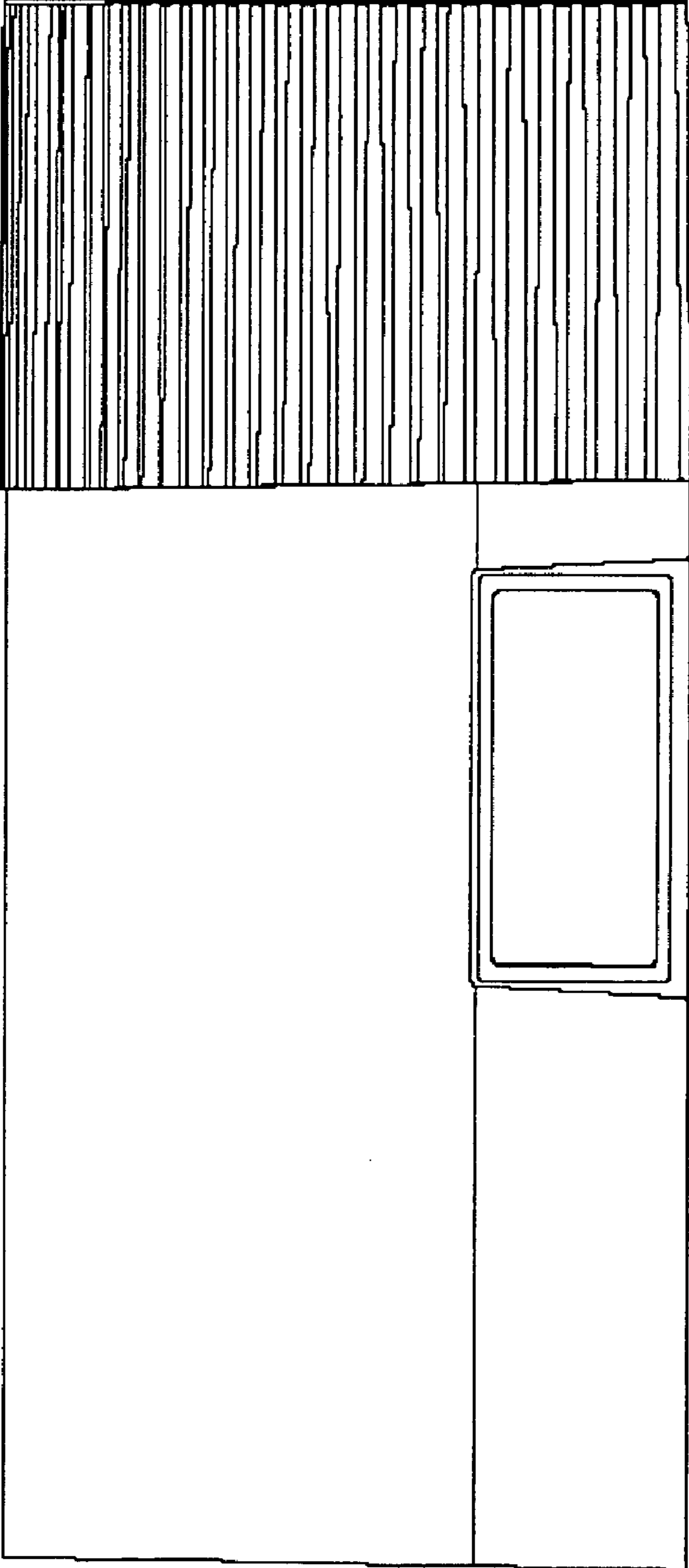


Fig. 1

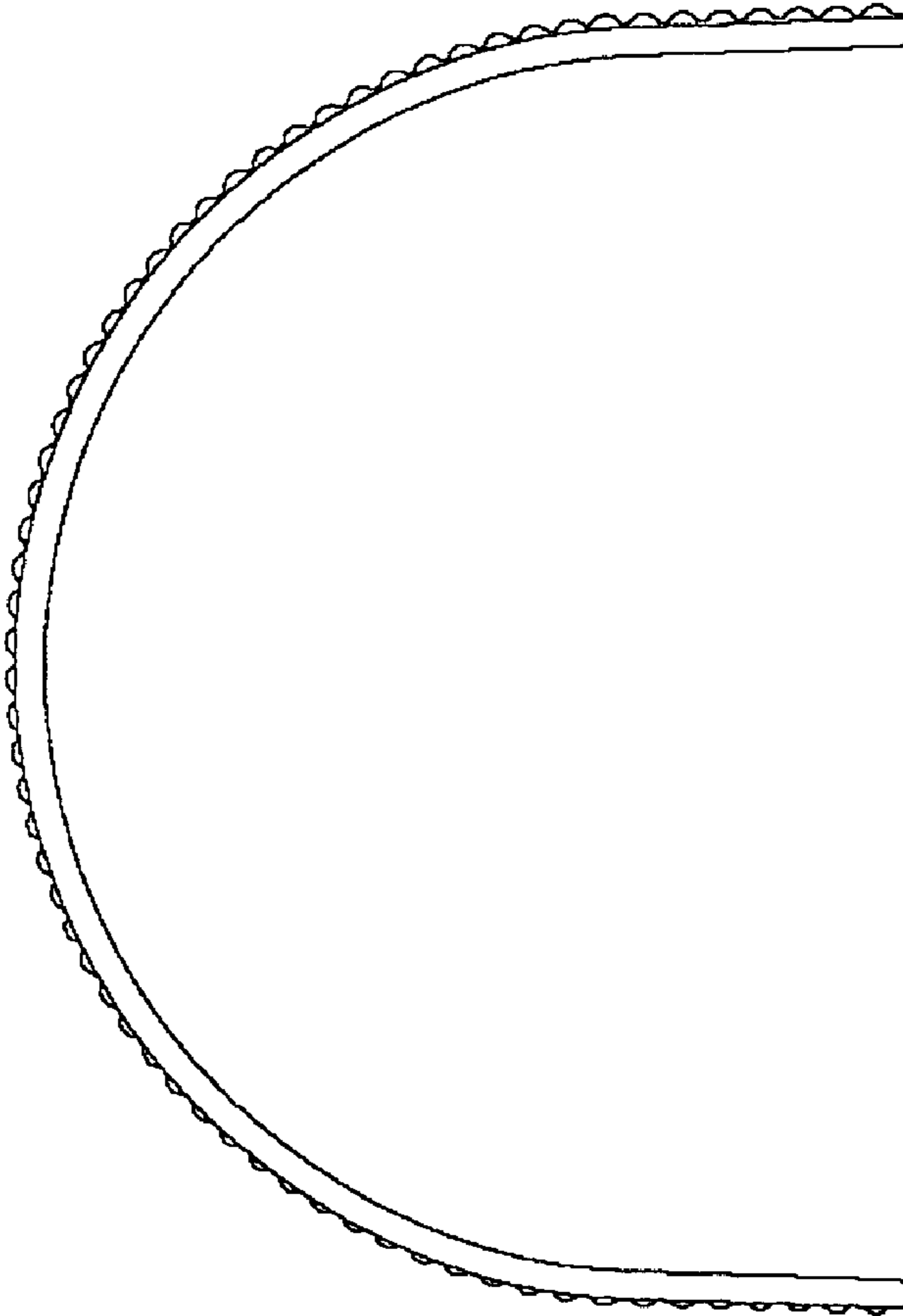


Fig. 2

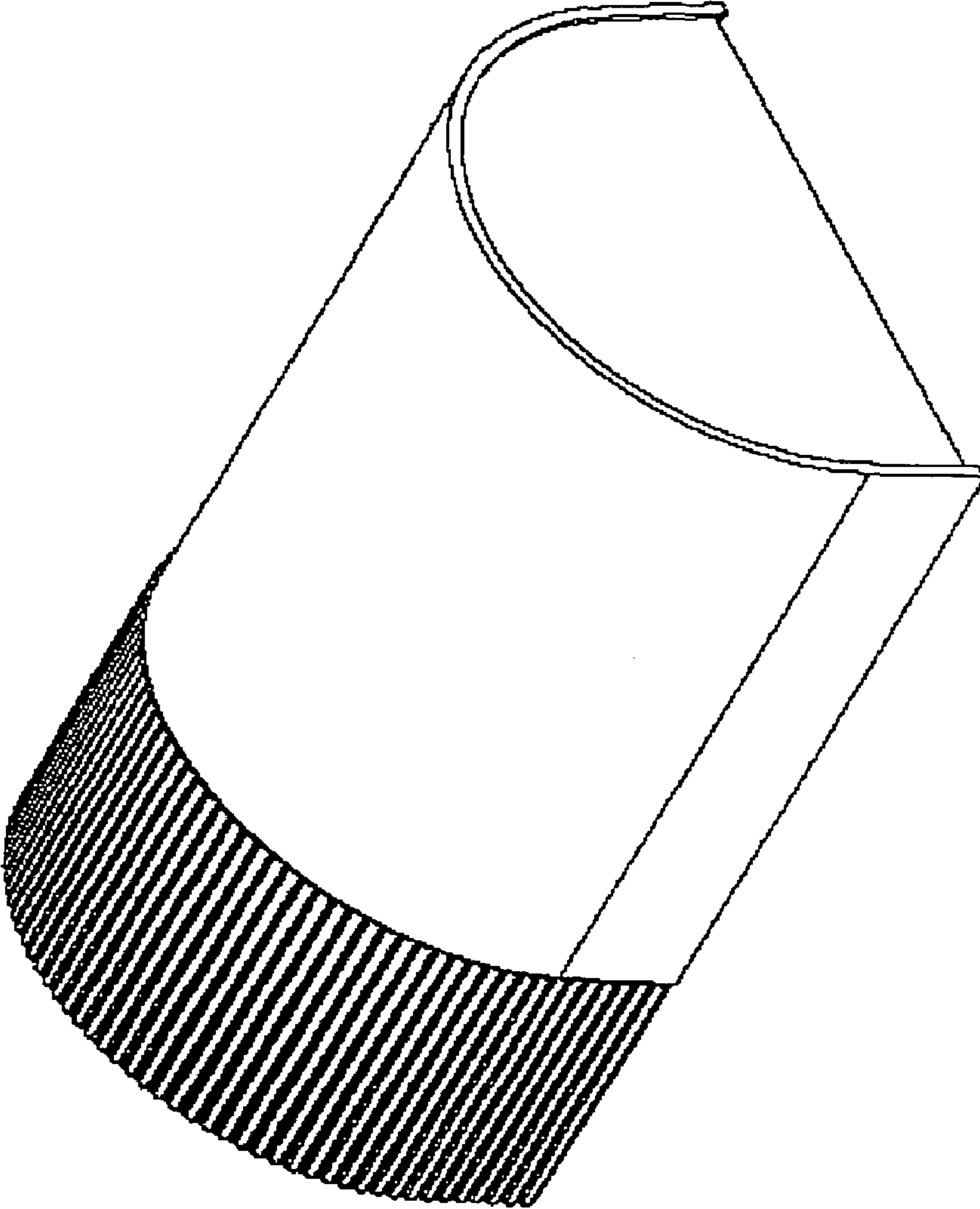


Fig. 3

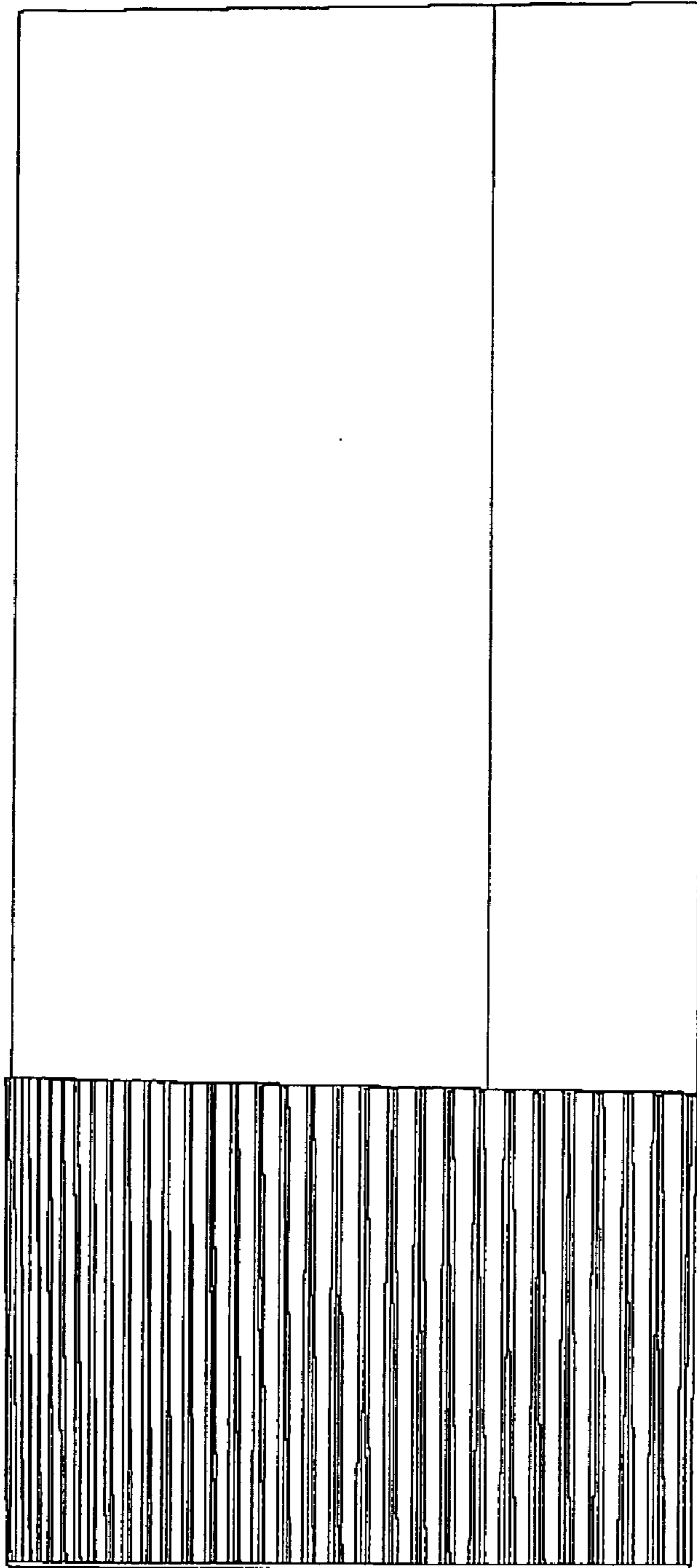


Fig. 4

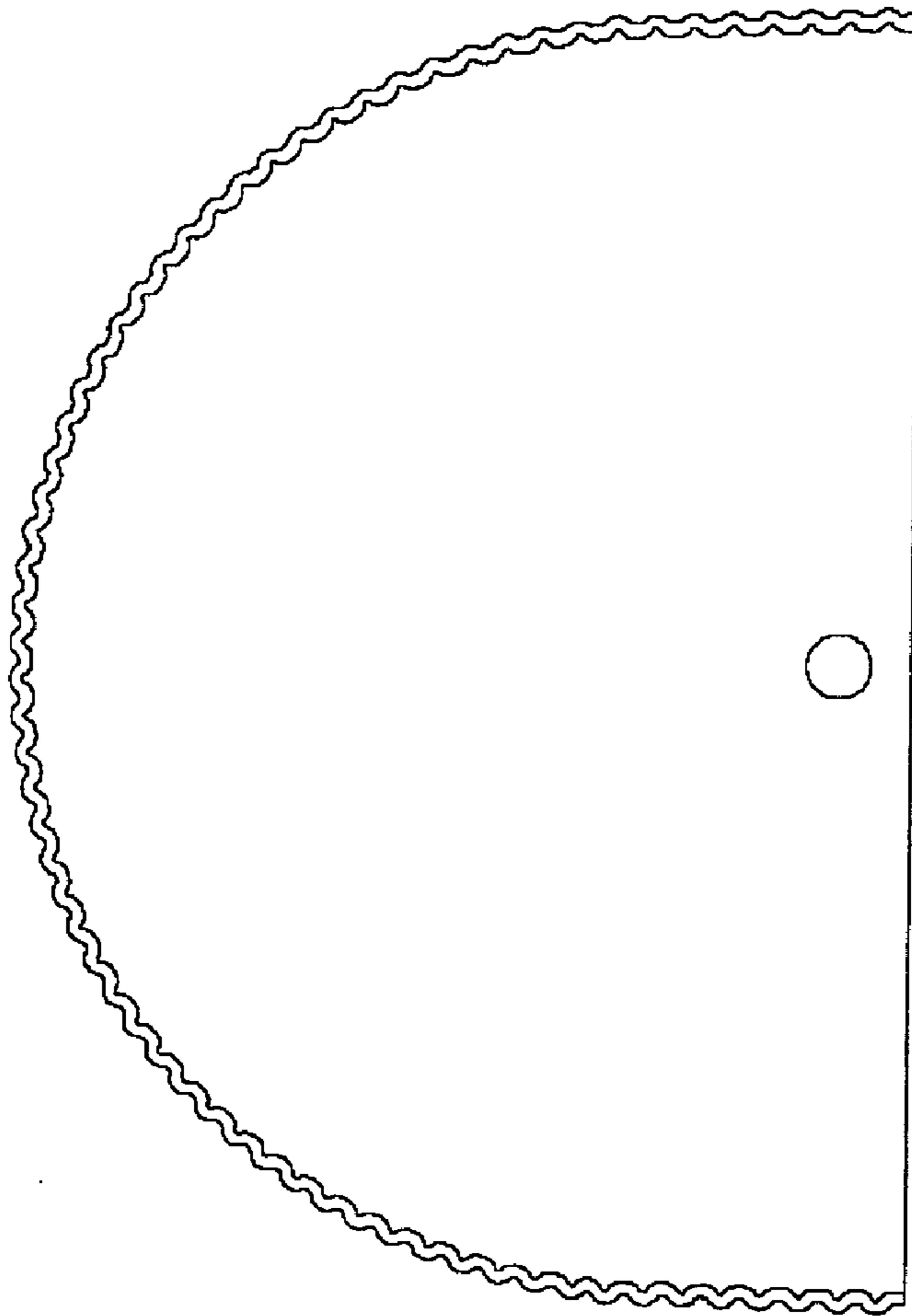


Fig. 5

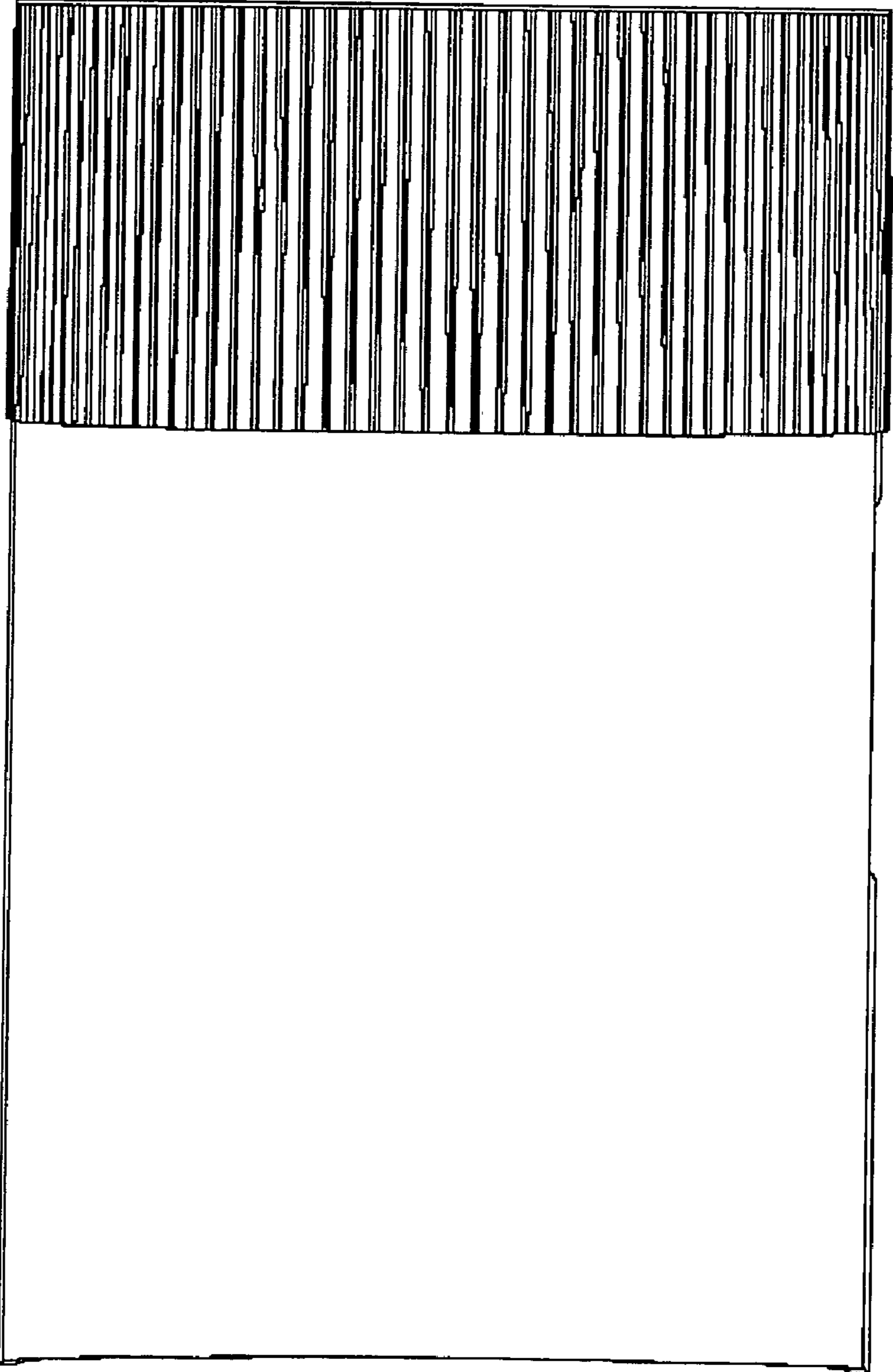


Fig. 6

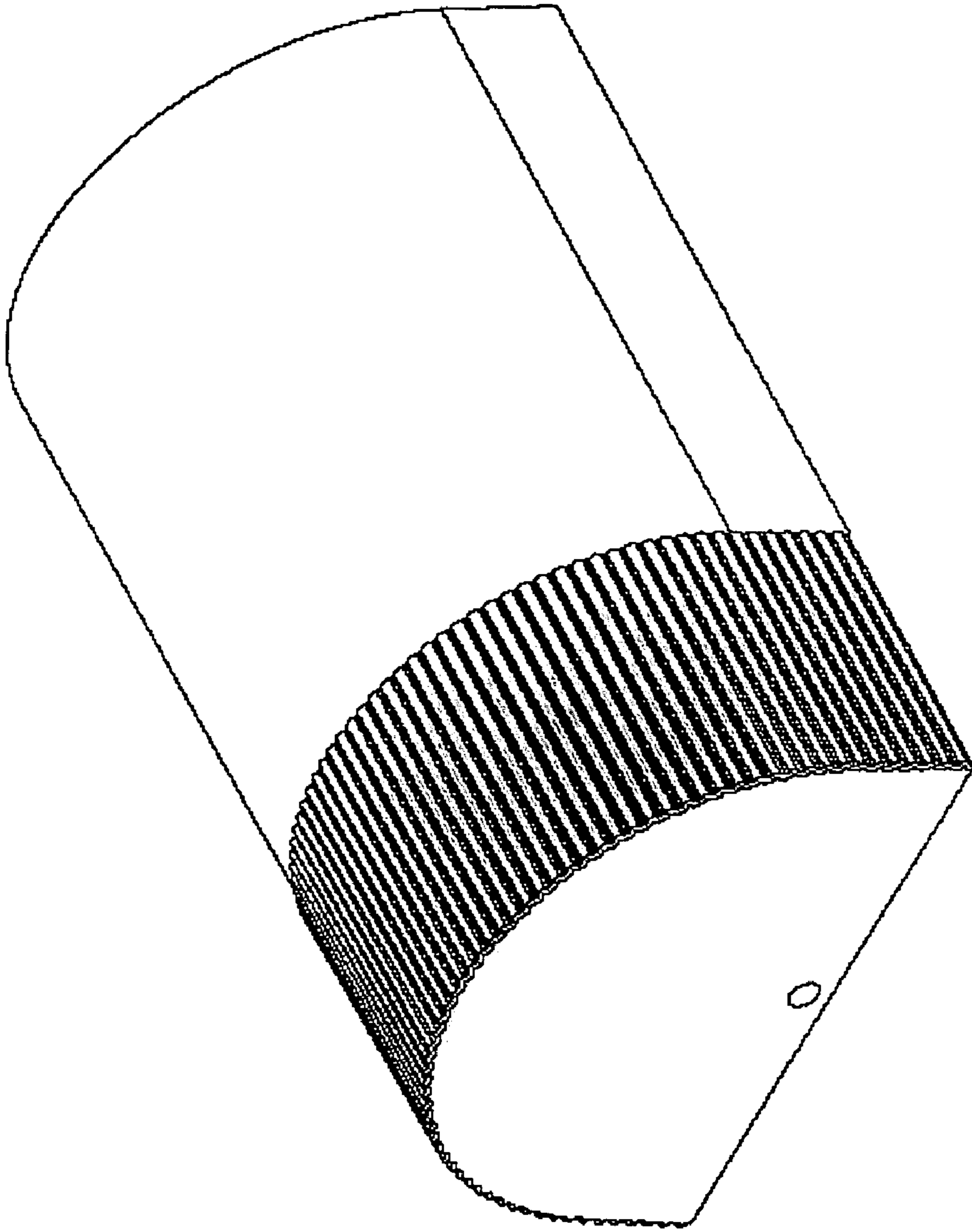


Fig. 7



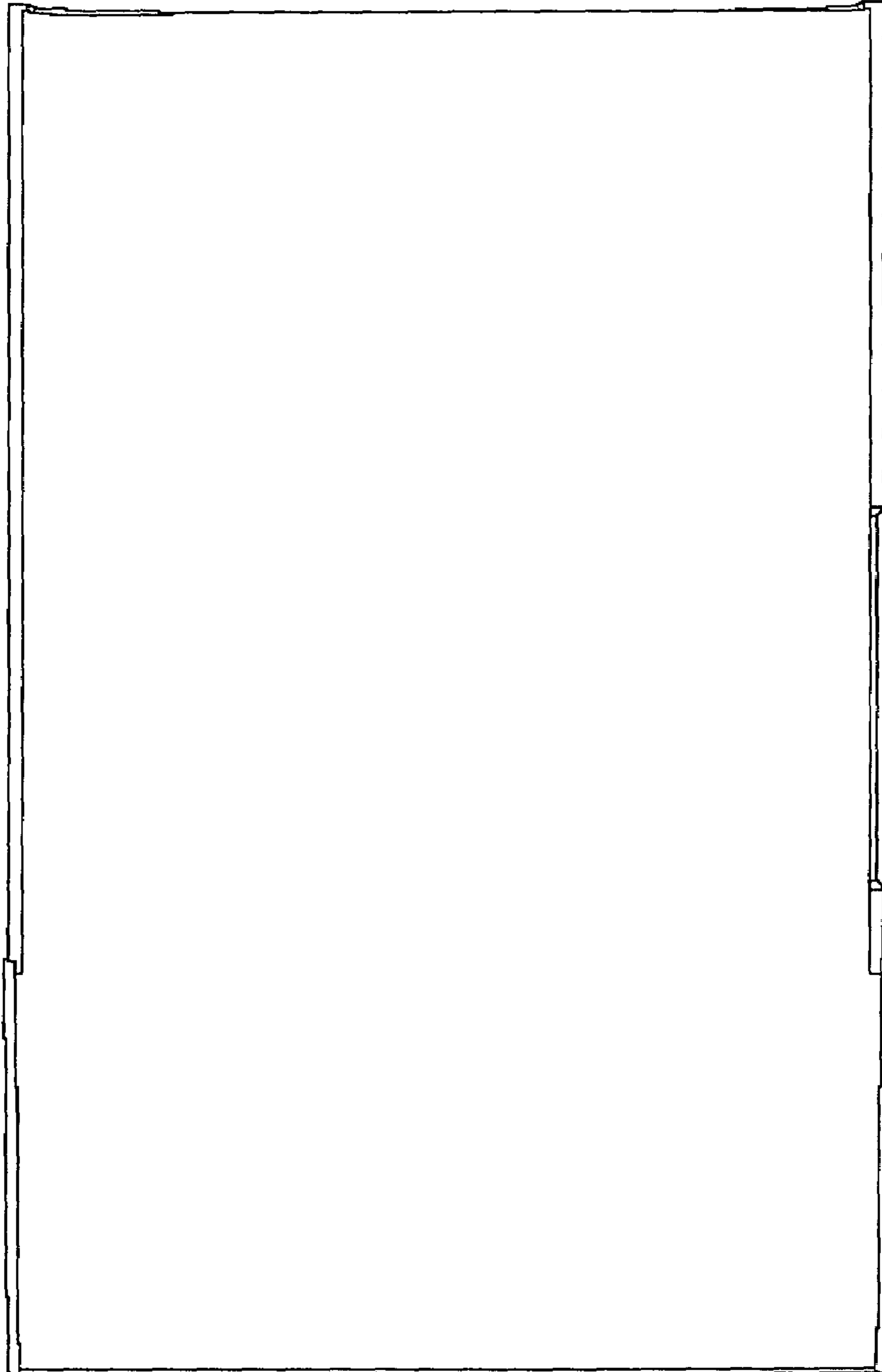


Fig. 8