



US00D562233S

(12) **United States Design Patent**
Isomoto et al.

(10) **Patent No.:** **US D562,233 S**

(45) **Date of Patent:** **** Feb. 19, 2008**

(54) **INVERTER CONTROLLER**

(75) Inventors: **Kenji Isomoto**, Kitakyushu (JP);
Shigekatsu Nagatomo, Kitakyushu
(JP); **Koji Nuki**, Kitakyushu (JP);
Takayuki Morihara, Kitakyushu (JP)

(73) Assignee: **Kabushiki Kaisha Yaskawa Denki**,
Fukuoka (JP)

(**) Term: **14 Years**

(21) Appl. No.: **29/278,747**

(22) Filed: **Apr. 9, 2007**

(30) **Foreign Application Priority Data**

Oct. 10, 2006 (JP) D2006-027252

(51) **LOC (8) Cl.** **13-02**

(52) **U.S. Cl.** **D13/110**

(58) **Field of Classification Search** D13/110,
D13/101, 123, 184, 199; 307/150-152; 361/600,
361/601, 622, 702, 703, 730, 809; 363/141,
363/142

See application file for complete search history.

(56) **References Cited**

U.S. PATENT DOCUMENTS

4,620,263 A * 10/1986 Ito 361/690
D303,370 S * 9/1989 Kondo et al. D13/110
5,170,336 A * 12/1992 Getter et al. 363/141
D343,382 S * 1/1994 Hagura et al. D13/110
D358,753 S * 5/1995 Yoshida et al. D13/123
5,497,289 A * 3/1996 Sugishima et al. 361/709
D372,017 S * 7/1996 Suematsu et al. D13/110

D376,785 S * 12/1996 Ikeda et al. D13/110
D455,121 S * 4/2002 Takeuchi et al. D13/110
D455,399 S * 4/2002 Imamura et al. D13/110
D455,714 S * 4/2002 Kim D13/110
D457,492 S * 5/2002 Kim D13/110
D502,914 S * 3/2005 Higuchi et al. D13/110
D502,916 S * 3/2005 Higuchi et al. D13/110

* cited by examiner

Primary Examiner—Prabhakar Deshmukh

Assistant Examiner—Derrick Holland

(74) *Attorney, Agent, or Firm*—Westerman, Hattori, Daniels
& Adrian, LLP.

(57) **CLAIM**

The ornamental design for an inverter controller, as shown
and described.

DESCRIPTION

FIG. 1 is a front elevation view of an inverter controller
showing our new design;

FIG. 2 is a rear elevation view thereof;

FIG. 3 is a left side elevation view thereof;

FIG. 4 is a right side elevation view thereof;

FIG. 5 is a top plan view thereof;

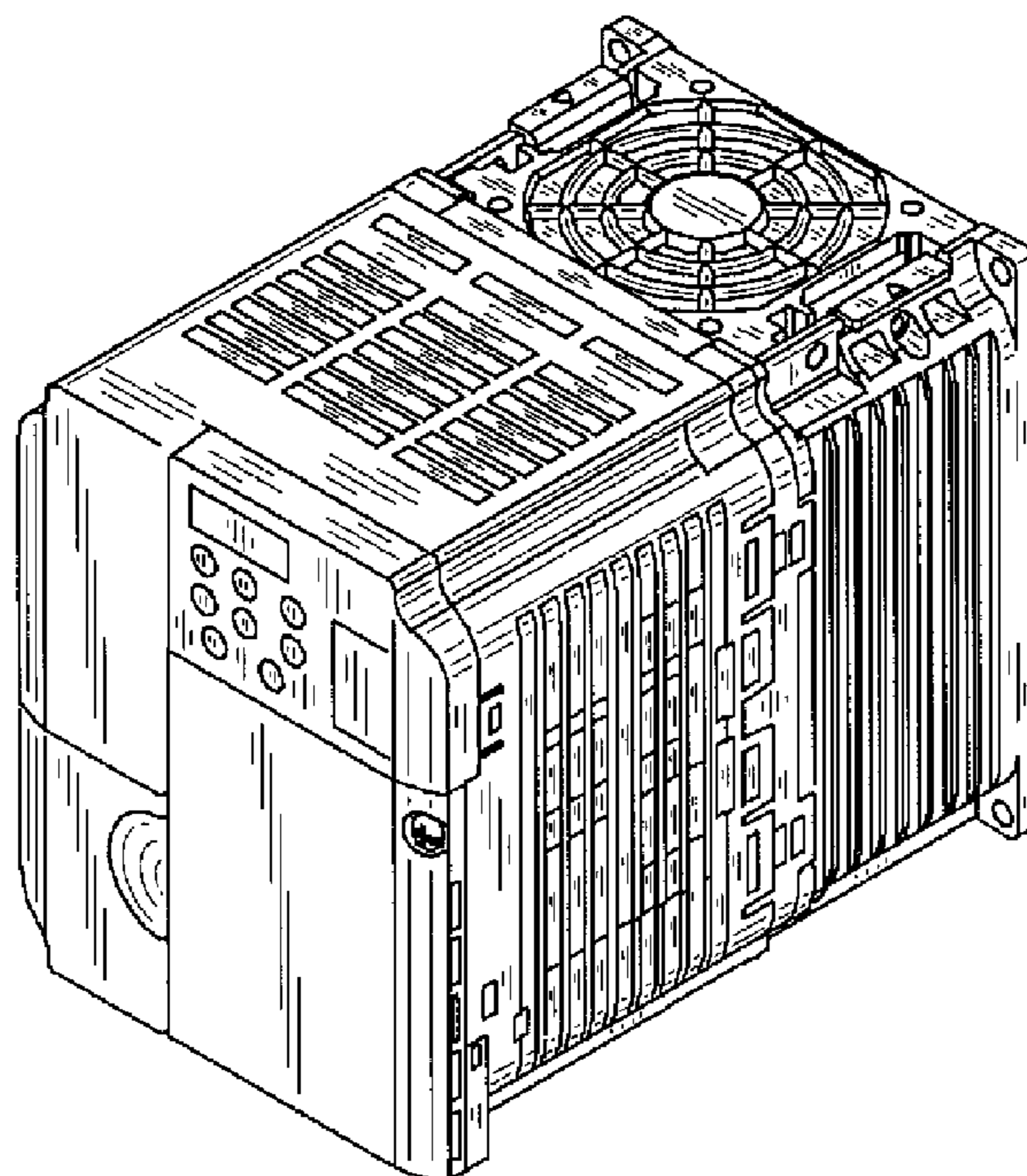
FIG. 6 is a bottom plan view thereof;

FIG. 7 is a perspective view thereof; and,

FIG. 8 is a perspective view showing the inverter controller
in use being connected to a motor by an output cable.

The broken lines show environmental structure only, and are
not a part of the design sought to be patented.

1 Claim, 5 Drawing Sheets



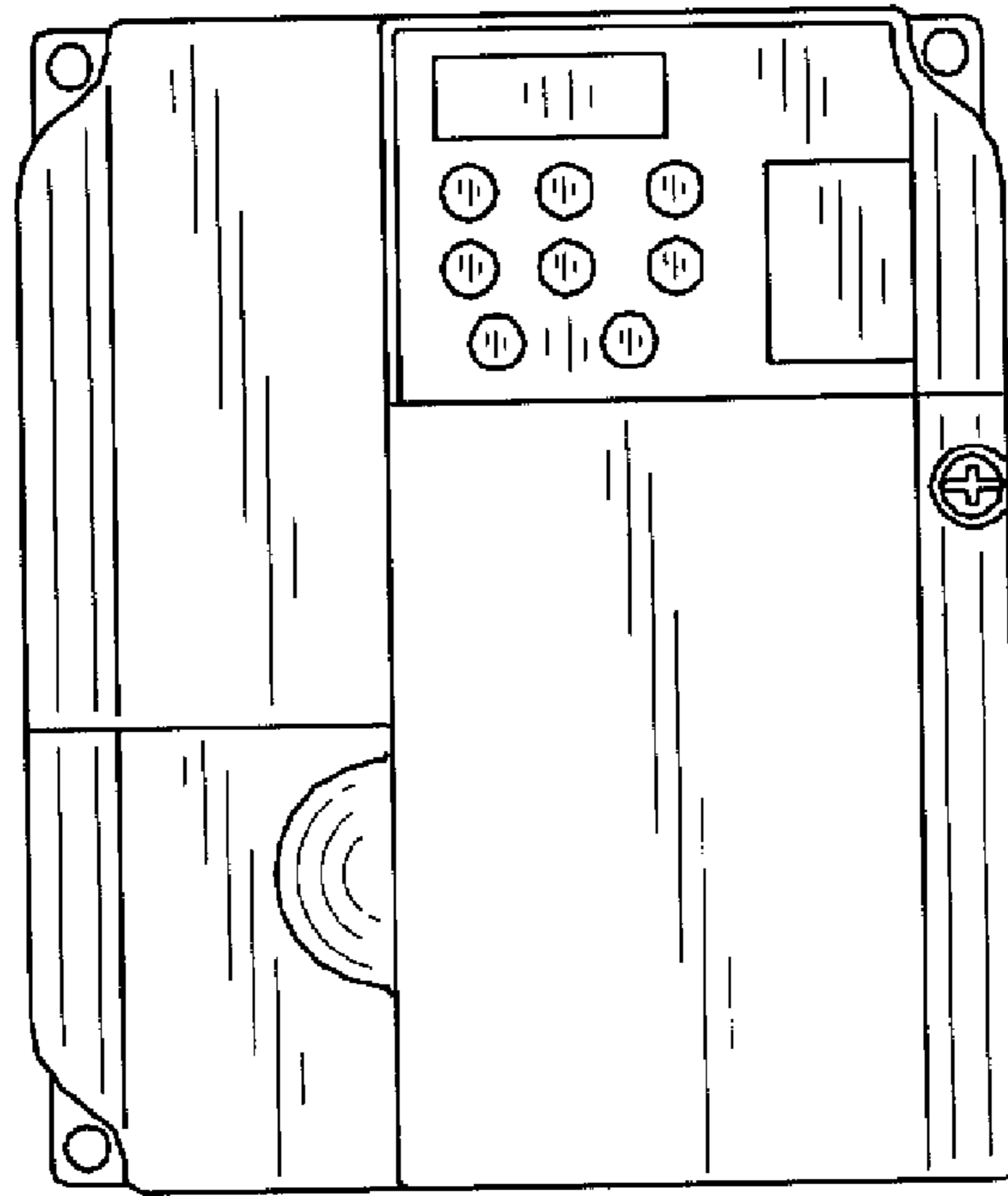


FIG. 1

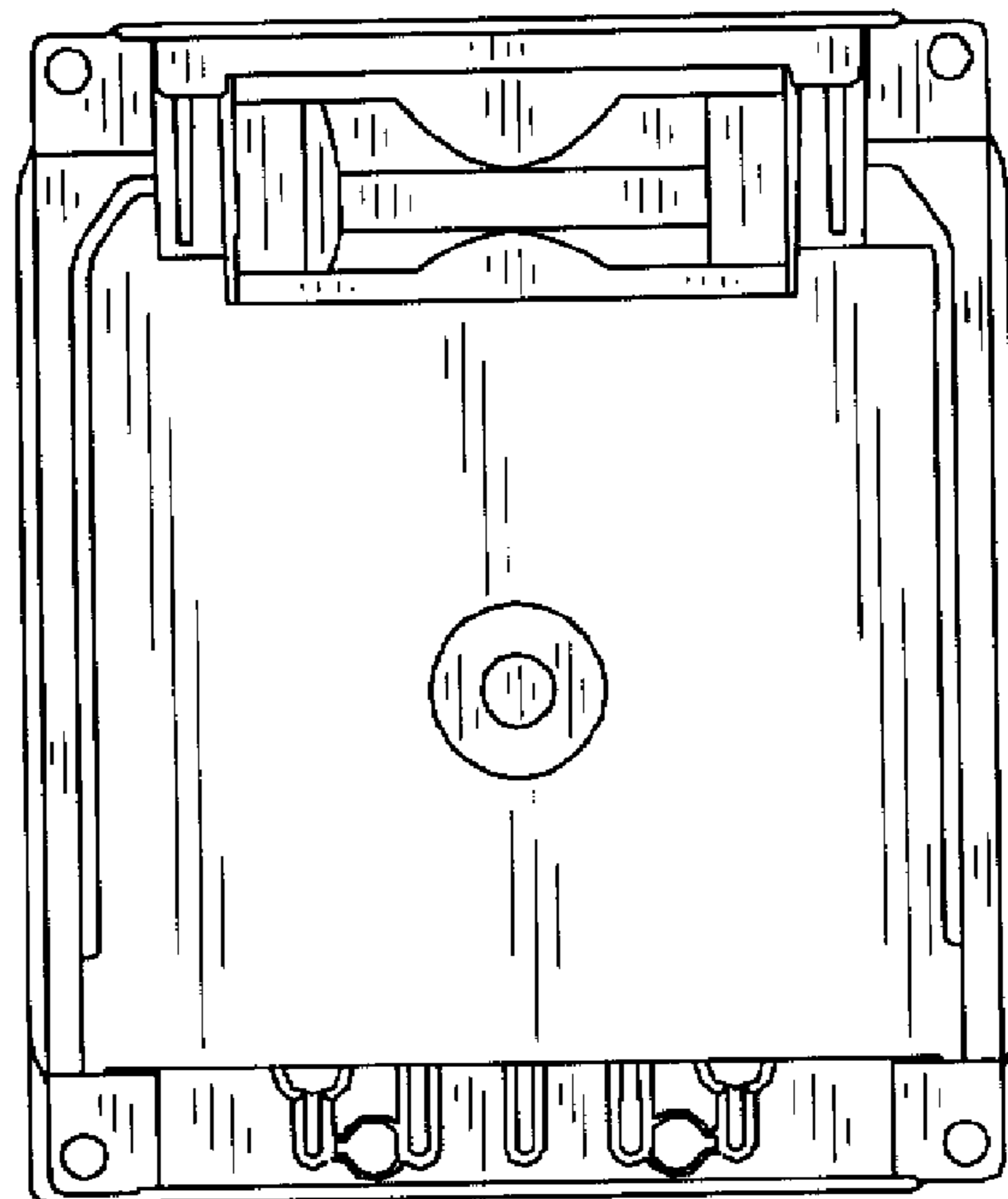


FIG. 2

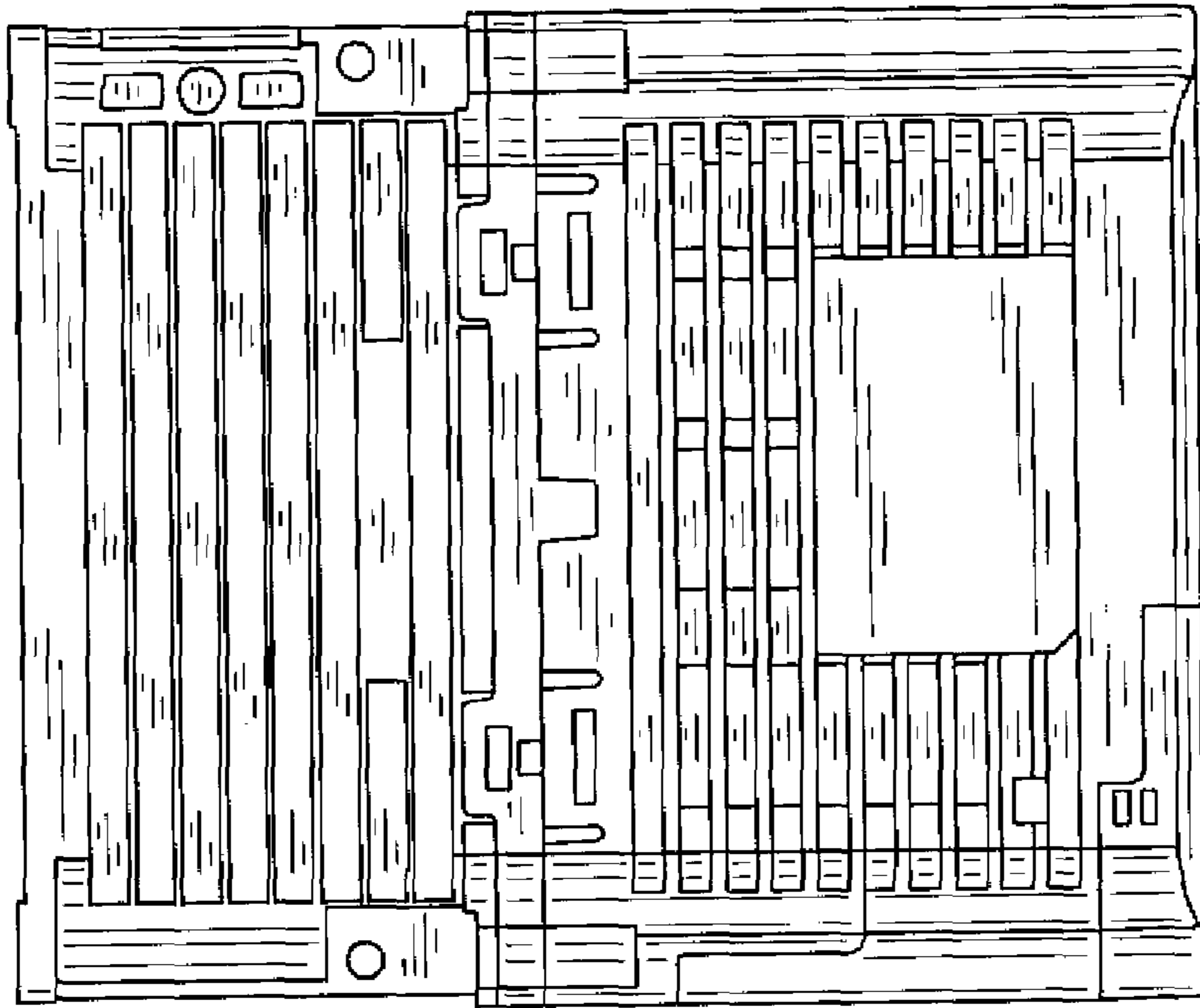


FIG. 3

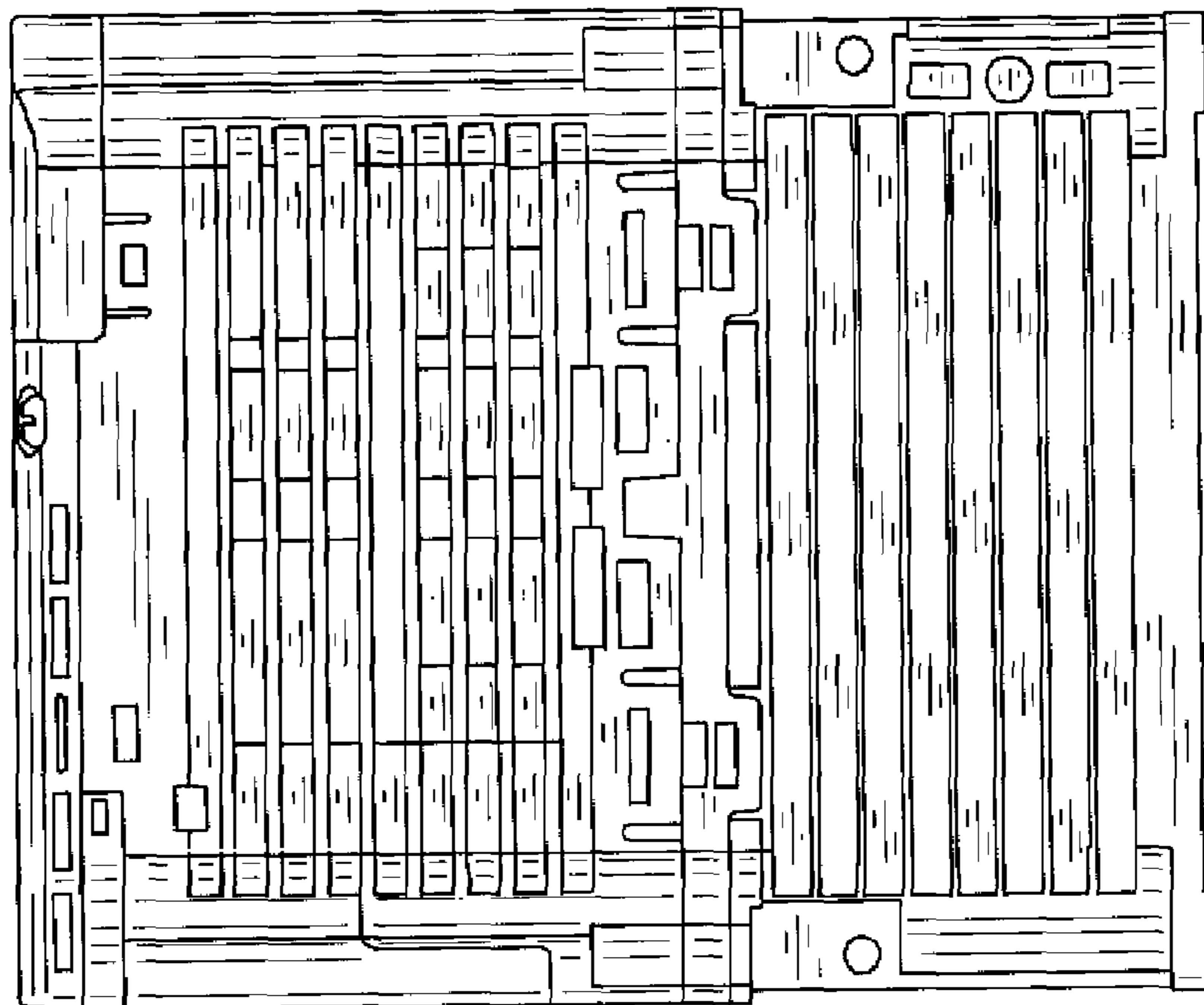


FIG. 4

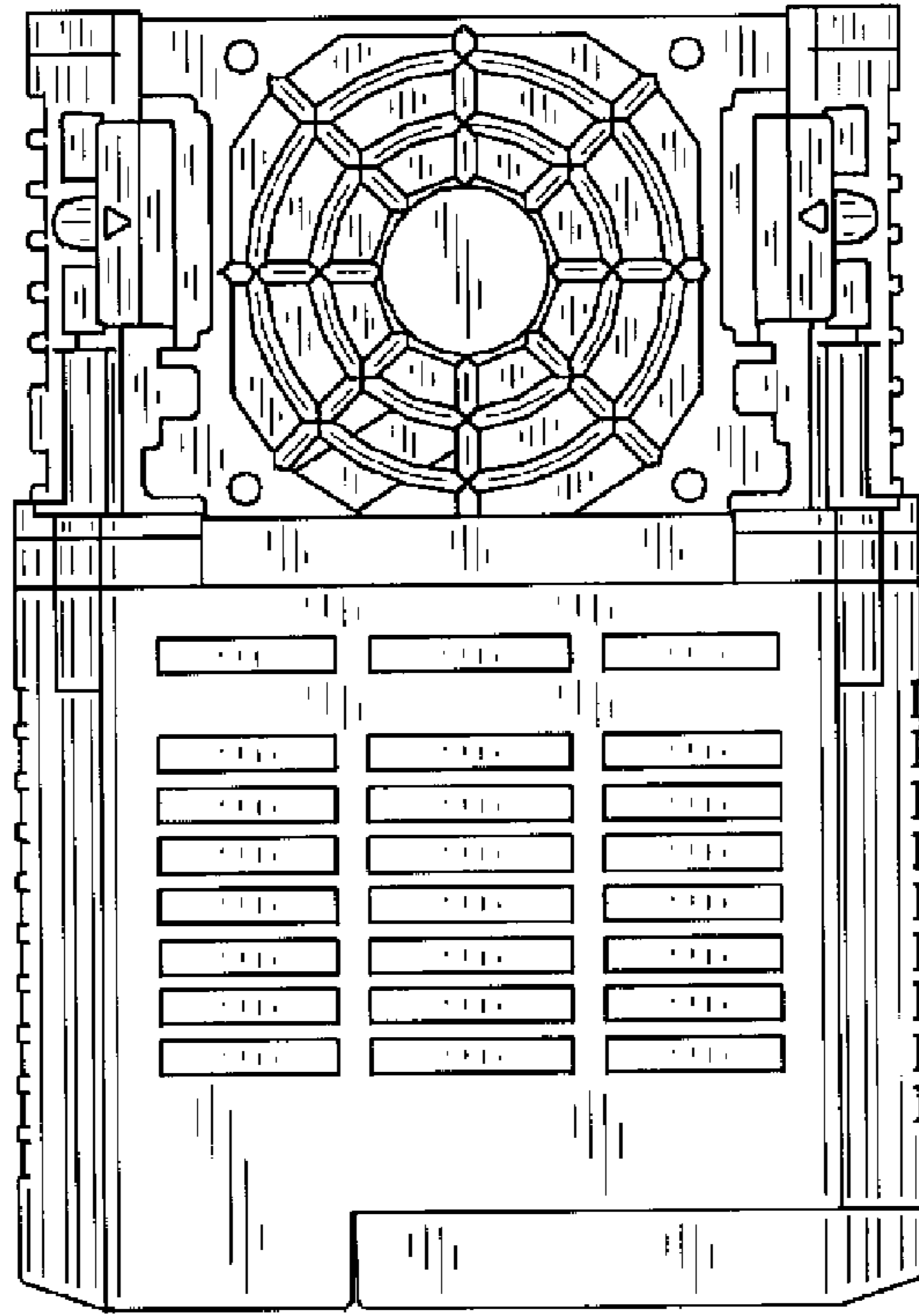


FIG. 5

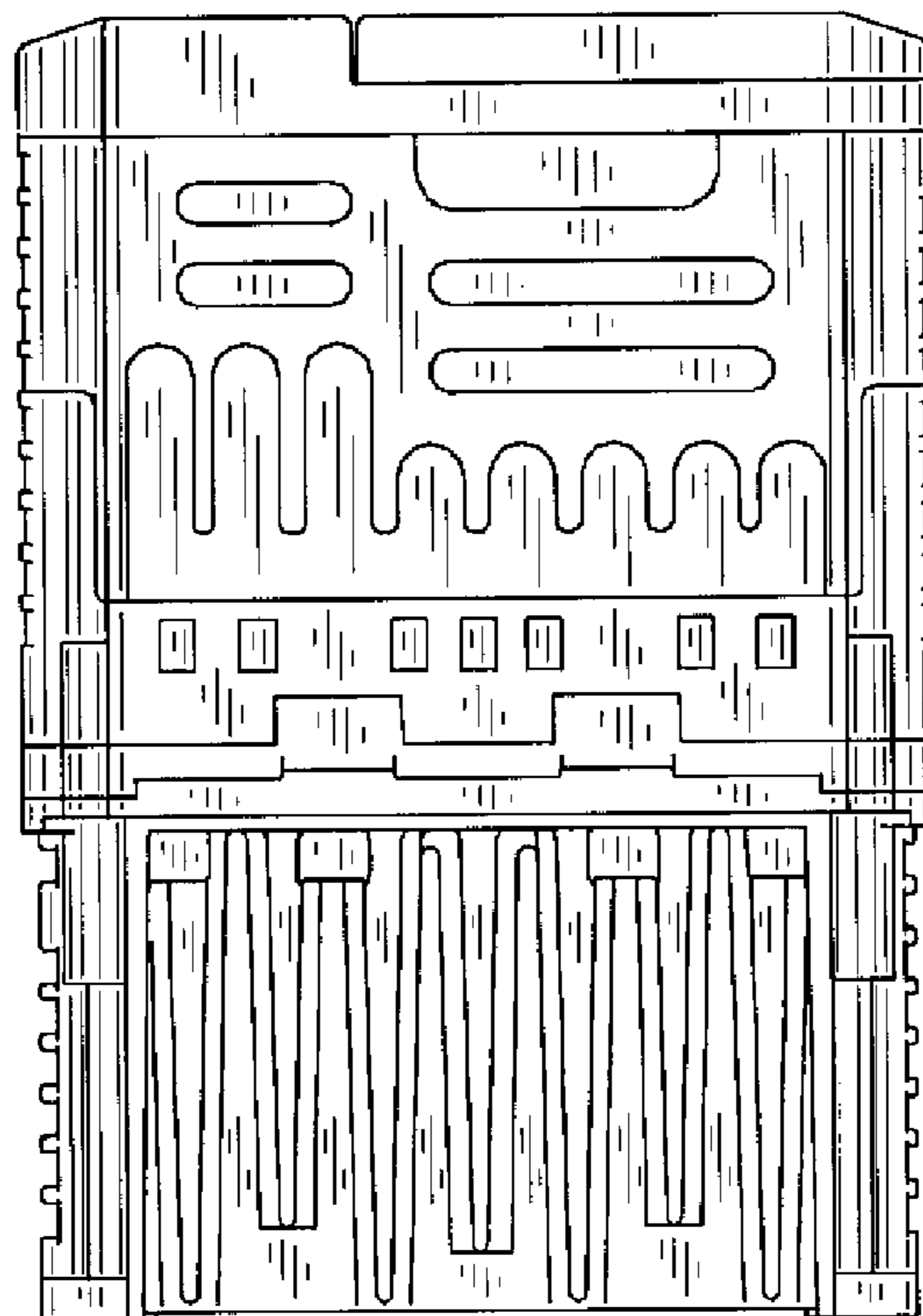


FIG. 6

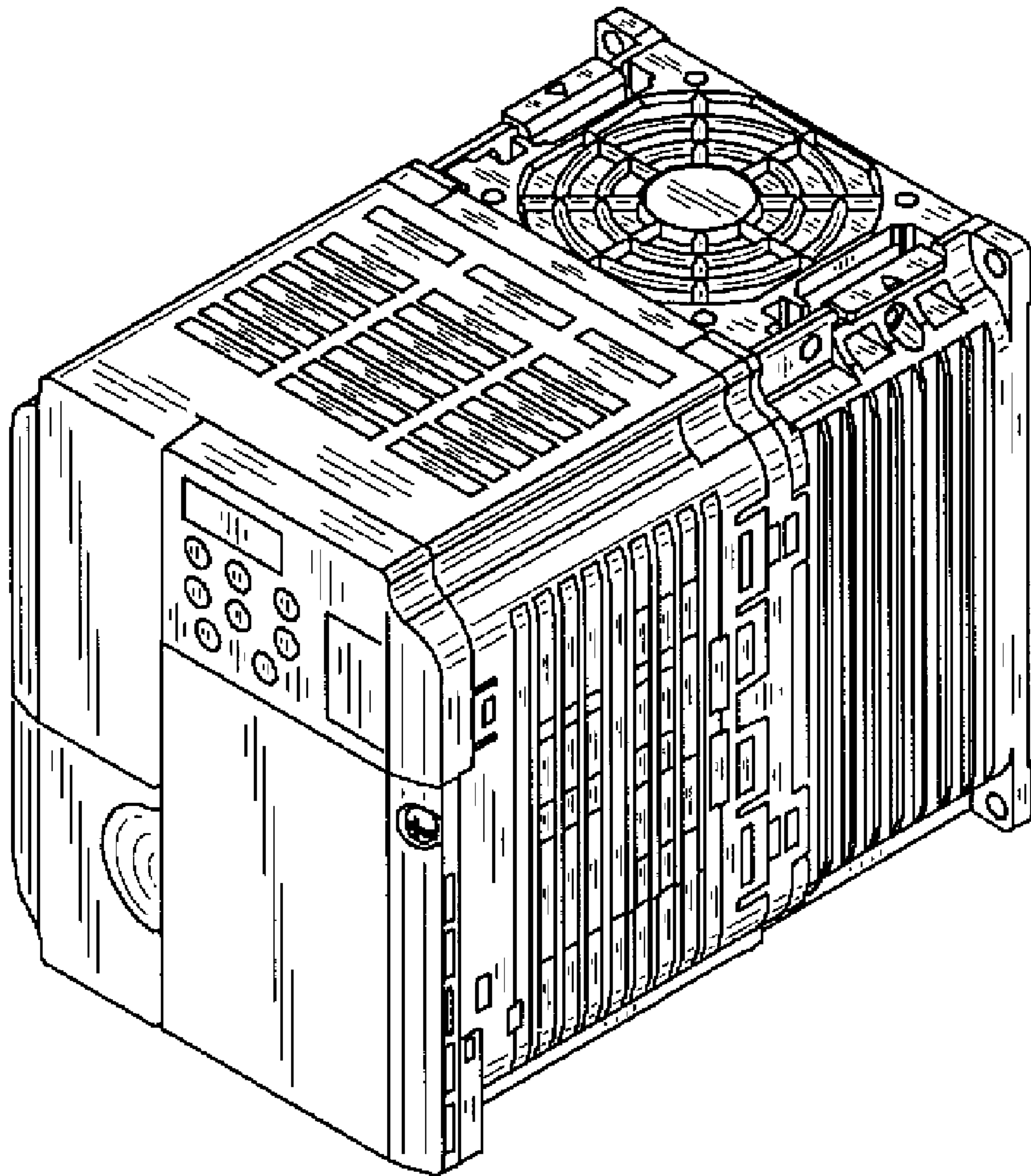


FIG. 7

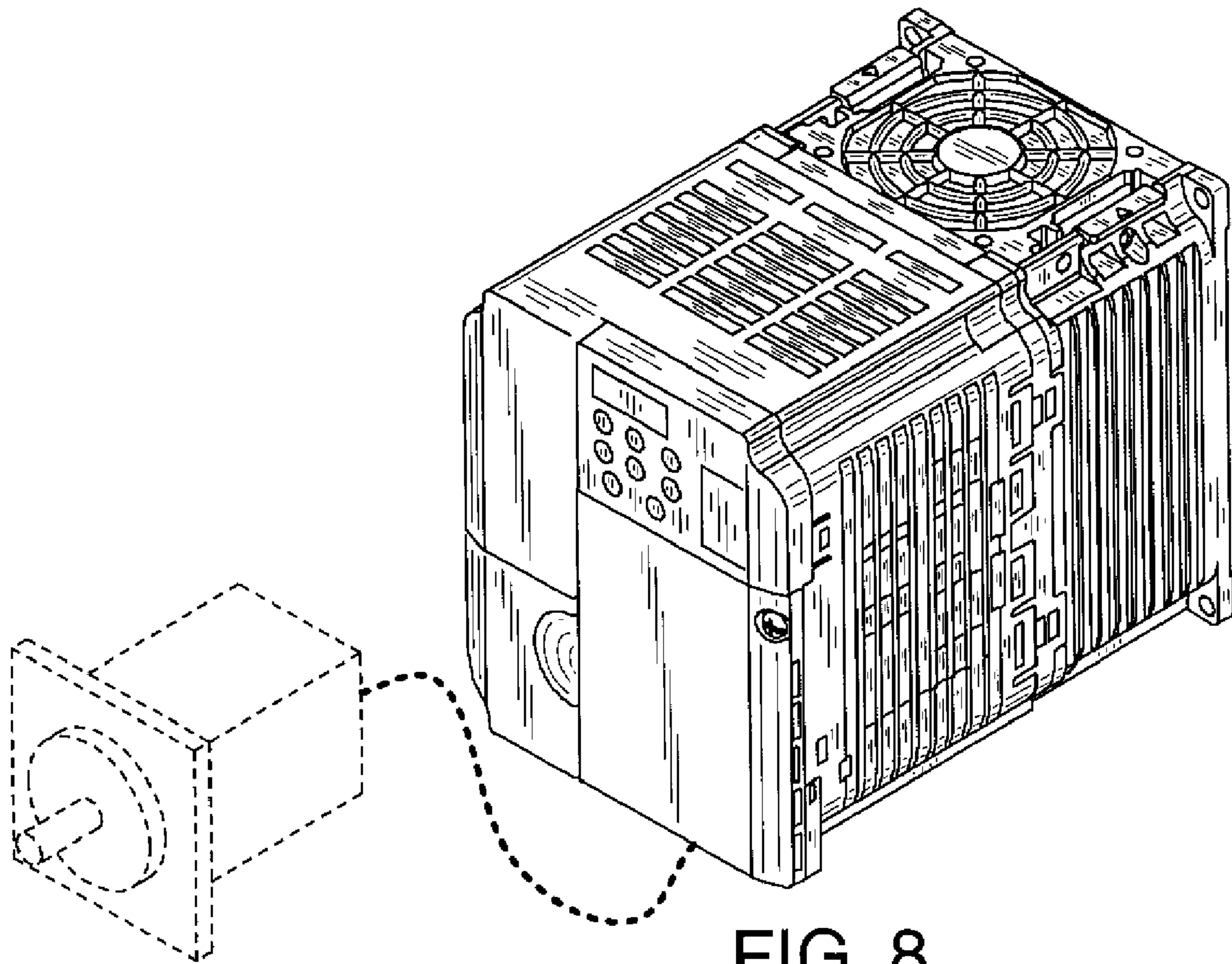


FIG. 8