

US00D562229S

(12) **United States Design Patent**
Peters

(10) **Patent No.:** **US D562,229 S**

(45) **Date of Patent:** **** Feb. 19, 2008**

(54) **BATTERY BOX**

(76) **Inventor:** **Frank Peters**, 98 Private Rd., Sumner,
TX (US) 75486

(**) **Term:** **14 Years**

(21) **Appl. No.:** **29/279,749**

(22) **Filed:** **May 7, 2007**

(51) **LOC (8) Cl.** **13-02**

(52) **U.S. Cl.** **D13/103**

(58) **Field of Classification Search** D13/102-106,
D13/110, 118-119, 184; 429/96-100, 163,
429/176

See application file for complete search history.

(56) **References Cited**

U.S. PATENT DOCUMENTS

D28,997 S *	7/1898	Packard et al.	D13/110
D298,029 S *	10/1988	Foster	D13/119
D419,137 S *	1/2000	Gaffney et al.	D13/103
D499,070 S	11/2004	Lavington		
D517,479 S *	3/2006	Schemm	D13/119
D517,987 S *	3/2006	Castagnola et al.	D13/119
D517,988 S	3/2006	Ihde		

* cited by examiner

Primary Examiner—Cathron Brooks
Assistant Examiner—Rosemary K Tarcza

(74) *Attorney, Agent, or Firm*—Vincent J. Allen; Carstens &
Cahoon, LLP

(57) **CLAIM**

The ornamental design for a battery box, as shown and
described.

DESCRIPTION

FIG. 1 is a perspective view of the battery box of the present
invention.

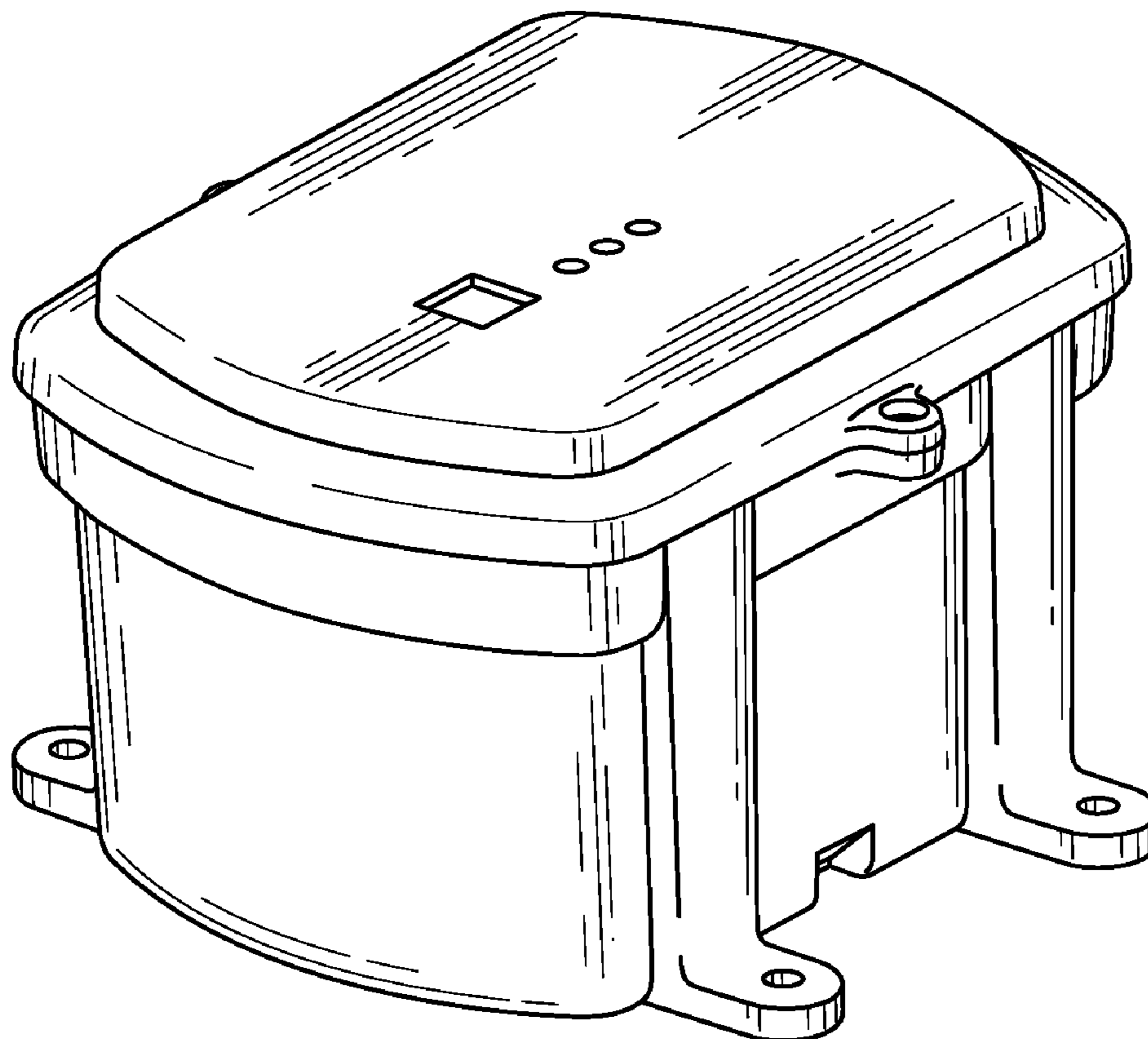
FIG. 2 is a front elevation view of the battery box of the
present invention. The back elevation view of the battery
box of the present invention is a mirror image of FIG. 2.

FIG. 3 is a right side view of the battery box of the present
invention. The left side view of the battery box of the present
invention is a mirror image of FIG. 3.

FIG. 4 is a top elevation view of the battery box of the
present invention; and,

FIG. 5 is a bottom elevation view of the battery box of the
present invention.

1 Claim, 3 Drawing Sheets



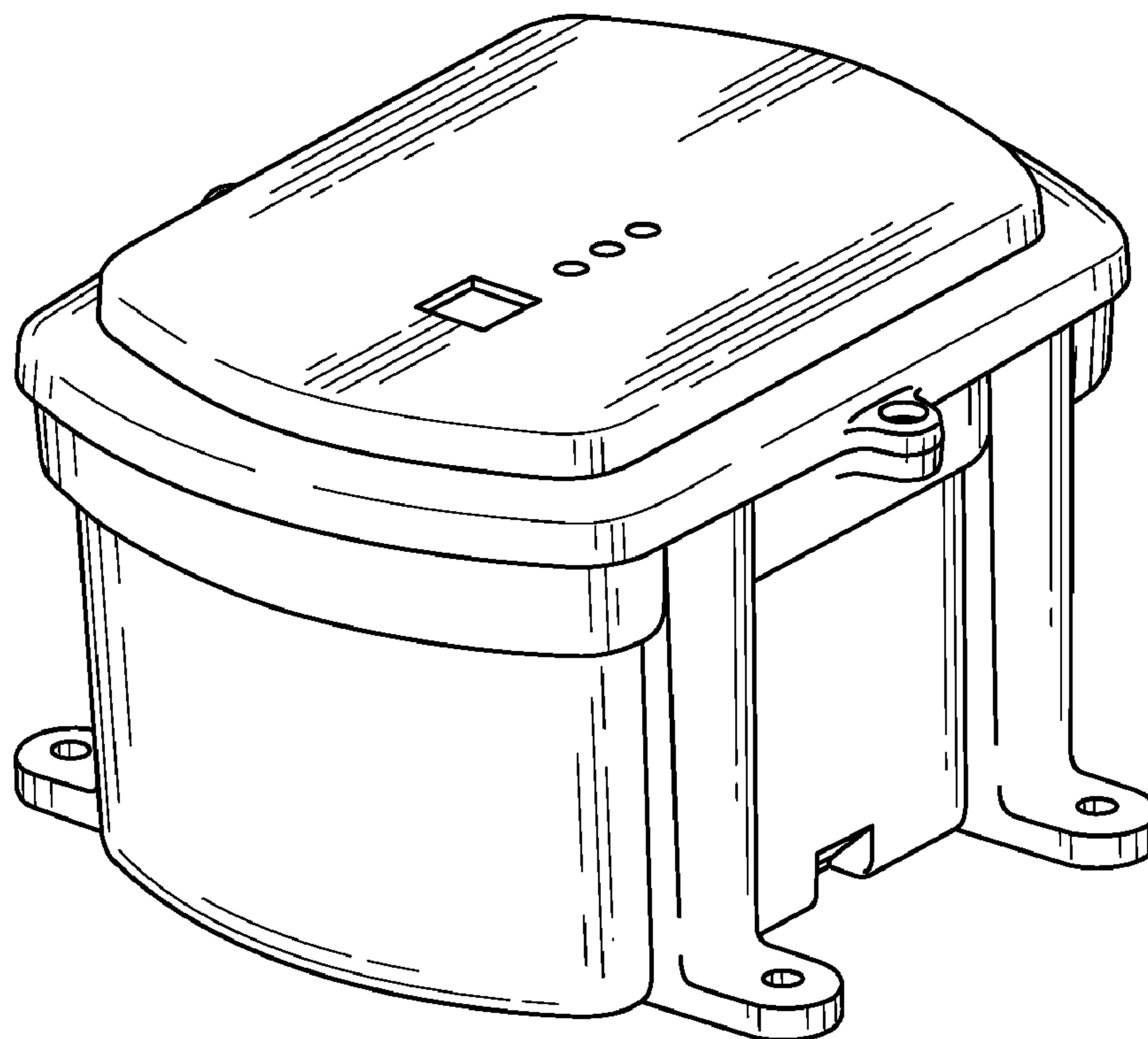


FIG. 1

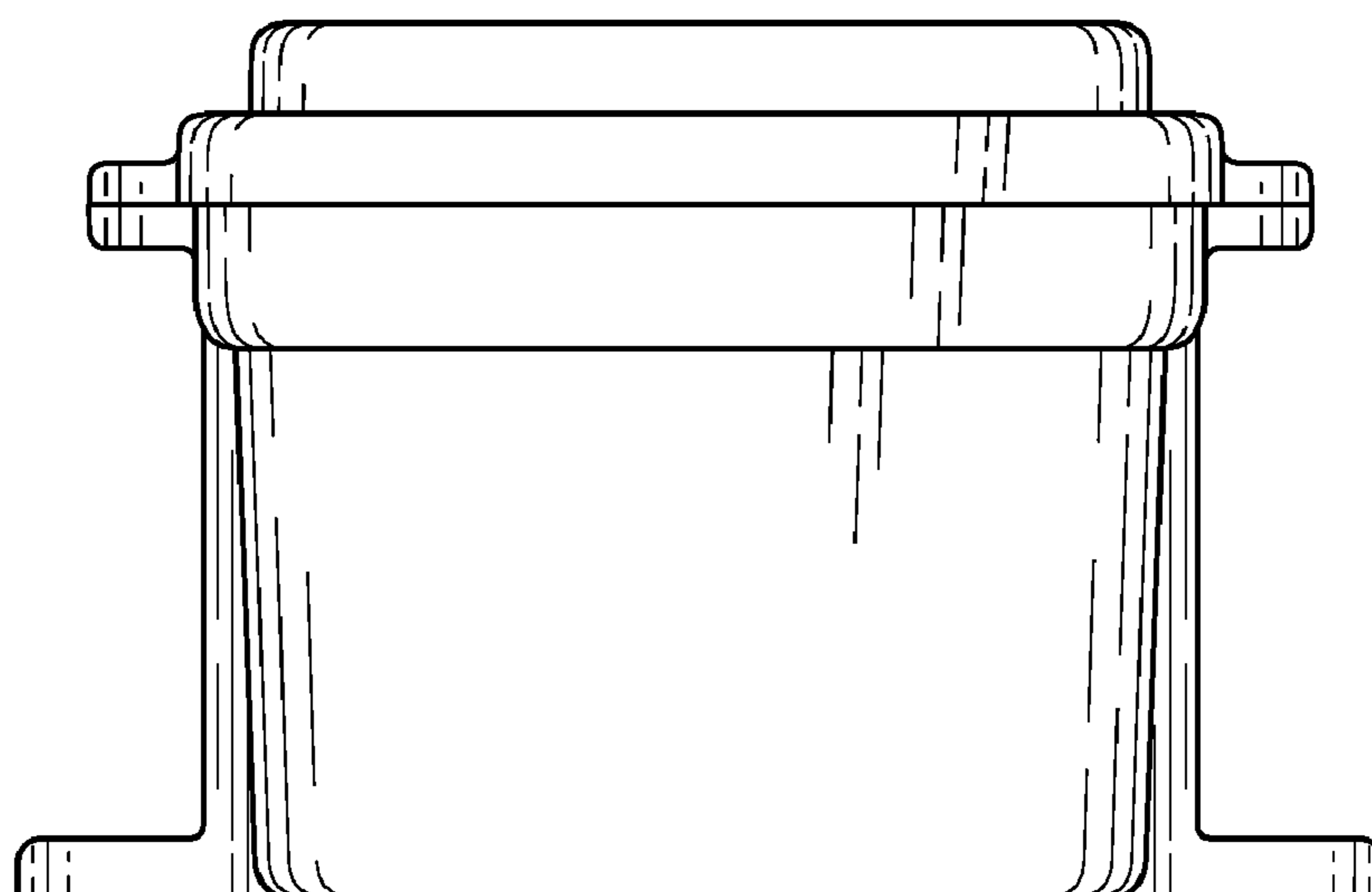


FIG. 2

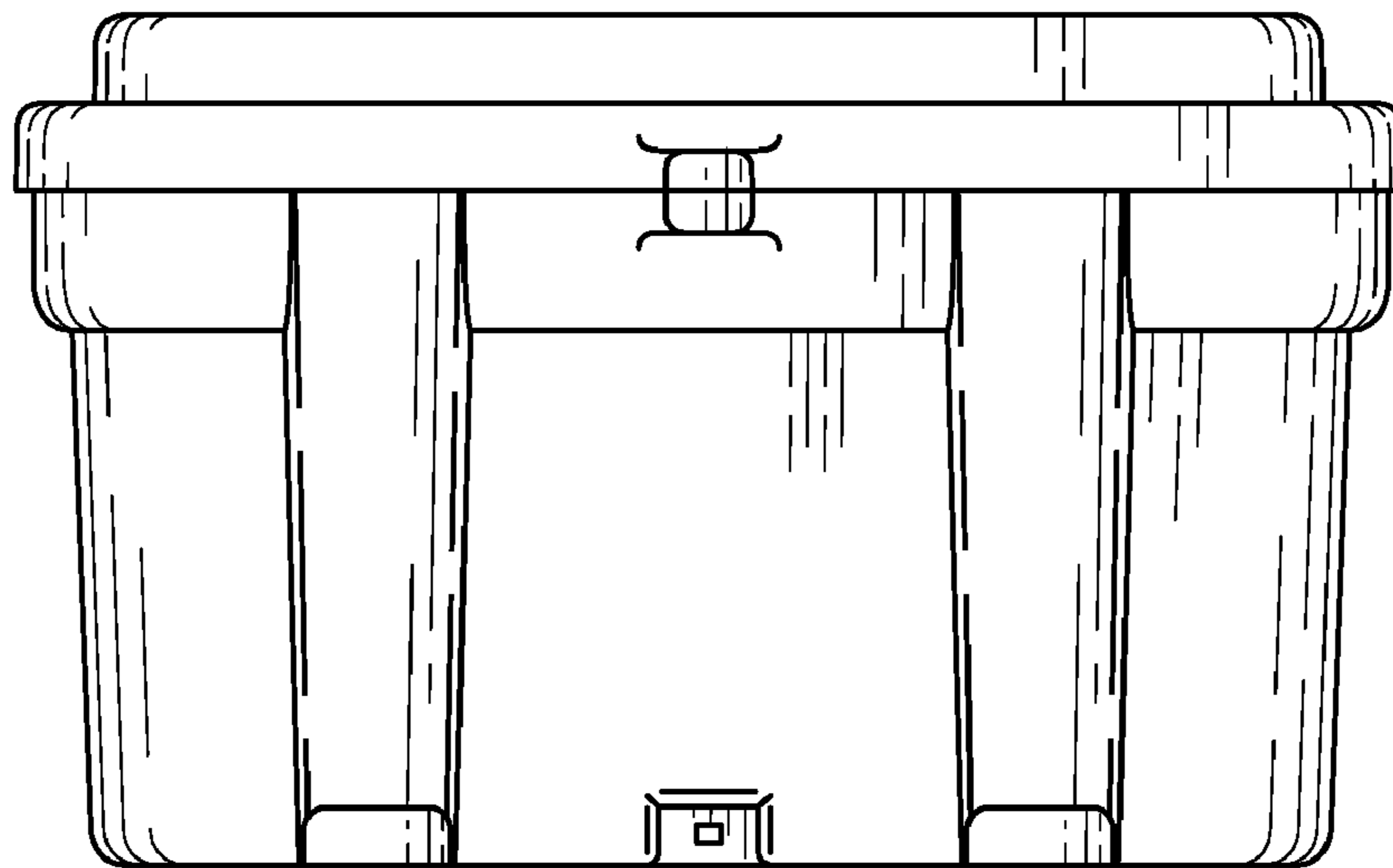


FIG. 3

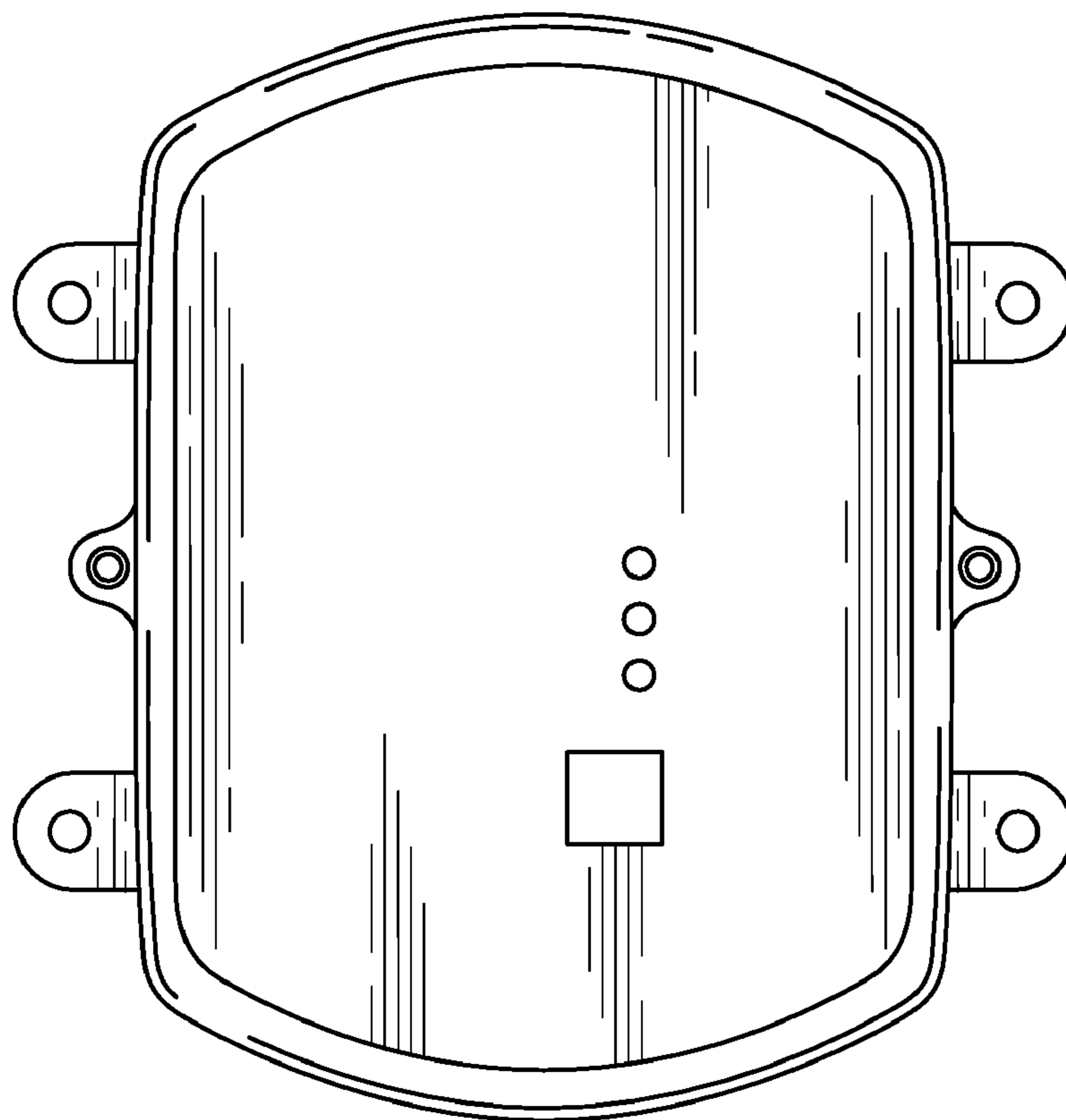


FIG. 4

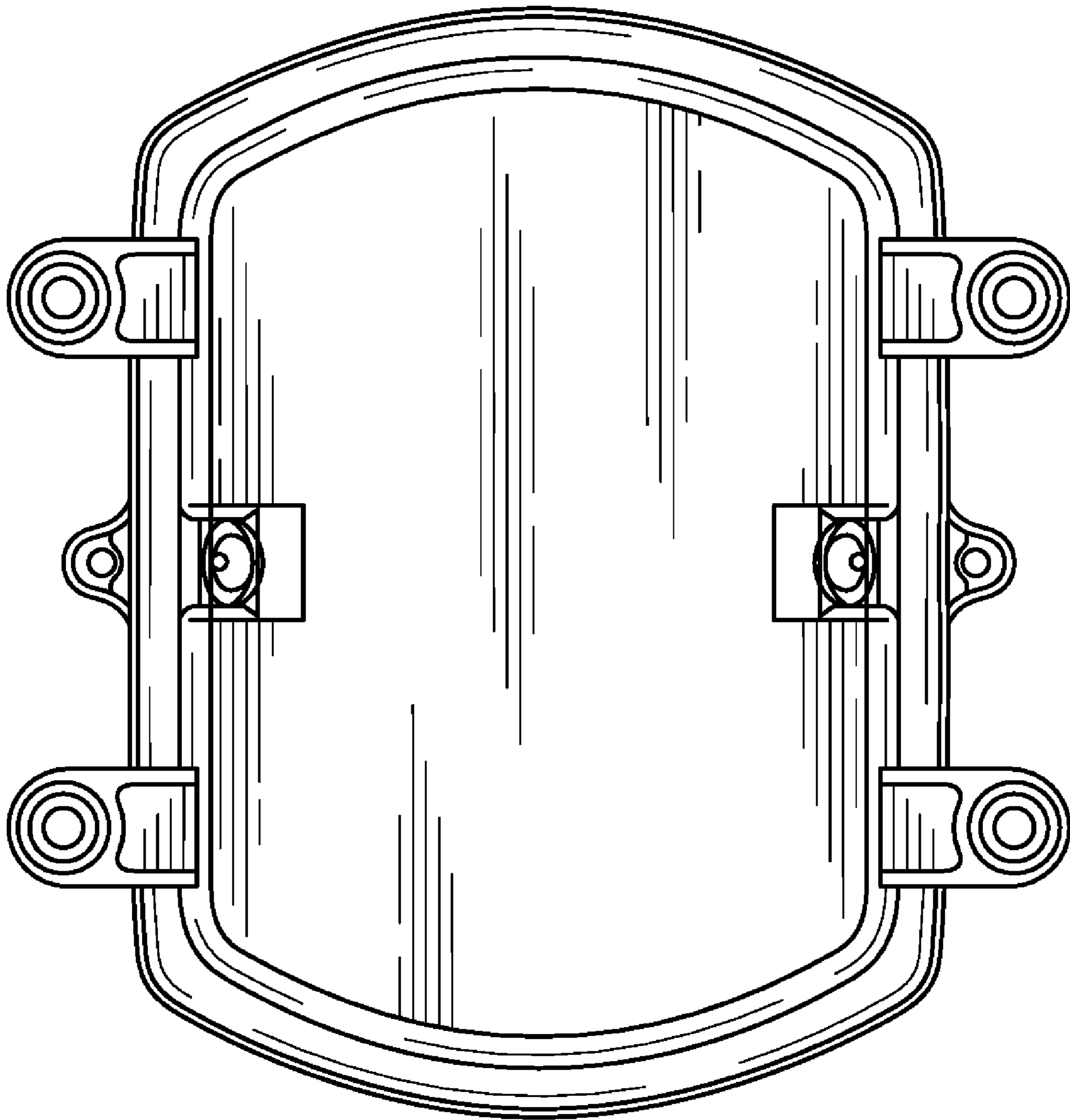


FIG. 5