



US00D562228S

(12) **United States Design Patent**  
**Okada et al.**

(10) **Patent No.:** **US D562,228 S**  
(45) **Date of Patent:** **\*\* Feb. 19, 2008**

(54) **BATTERY PACK**

(75) Inventors: **Masanori Okada**, Hitachinaka (JP);  
**Masato Sakai**, Hitachinaka (JP); **Toshio Mizoguchi**, Hitachinaka (JP)

(73) Assignee: **Hitachi Koki Co., Ltd.**, Tokyo (JP)

(\*\*) Term: **14 Years**

(21) Appl. No.: **29/274,298**

(22) Filed: **Apr. 12, 2007**

(30) **Foreign Application Priority Data**

Oct. 13, 2006 (JP) ..... 2006-027778

(51) **LOC (8) Cl.** ..... **13-02**

(52) **U.S. Cl.** ..... **D13/103**

(58) **Field of Classification Search** ..... D13/102-106,  
D13/110, 118-119, 184; 429/96-100, 163,  
429/176

See application file for complete search history.

(56) **References Cited**

**U.S. PATENT DOCUMENTS**

D415,100 S *	10/1999	Buck	.....	D13/103
D436,917 S *	1/2001	Hayakawa et al.	.....	D13/103
D456,002 S *	4/2002	Kato et al.	.....	D13/103
D477,811 S *	7/2003	Niwa et al.	.....	D13/103
D481,672 S *	11/2003	Niwa et al.	.....	D13/103
D512,373 S *	12/2005	Tsai et al.	.....	D13/108
D512,961 S *	12/2005	Okada et al.	.....	D13/103

D516,504 S *	3/2006	Okuda et al.	.....	D13/103
D523,807 S *	6/2006	Murayama et al.	.....	D13/103
D535,250 S *	1/2007	Watson	.....	D13/103
D545,759 S *	7/2007	Ino et al.	.....	D13/103
D550,152 S *	9/2007	Okuda et al.	.....	D13/103
2003/0039880 A1 *	2/2003	Turner et al.	.....	429/97

**OTHER PUBLICATIONS**

U.S. Appl. No. 29/274,299, filed Apr. 12, 2007, Masanori Okada, et al.

\* cited by examiner

*Primary Examiner*—Cathron Brooks

*Assistant Examiner*—Rosemary K Tarcza

(74) *Attorney, Agent, or Firm*—Sughrue Mion, PLLC

(57) **CLAIM**

The ornamental design for a battery pack, as shown.

**DESCRIPTION**

FIG. 1 is a perspective view of the top, rear and right hand side of a battery pack showing our new design;

FIG. 2 is a top plan view thereof;

FIG. 3 is a front elevational view thereof;

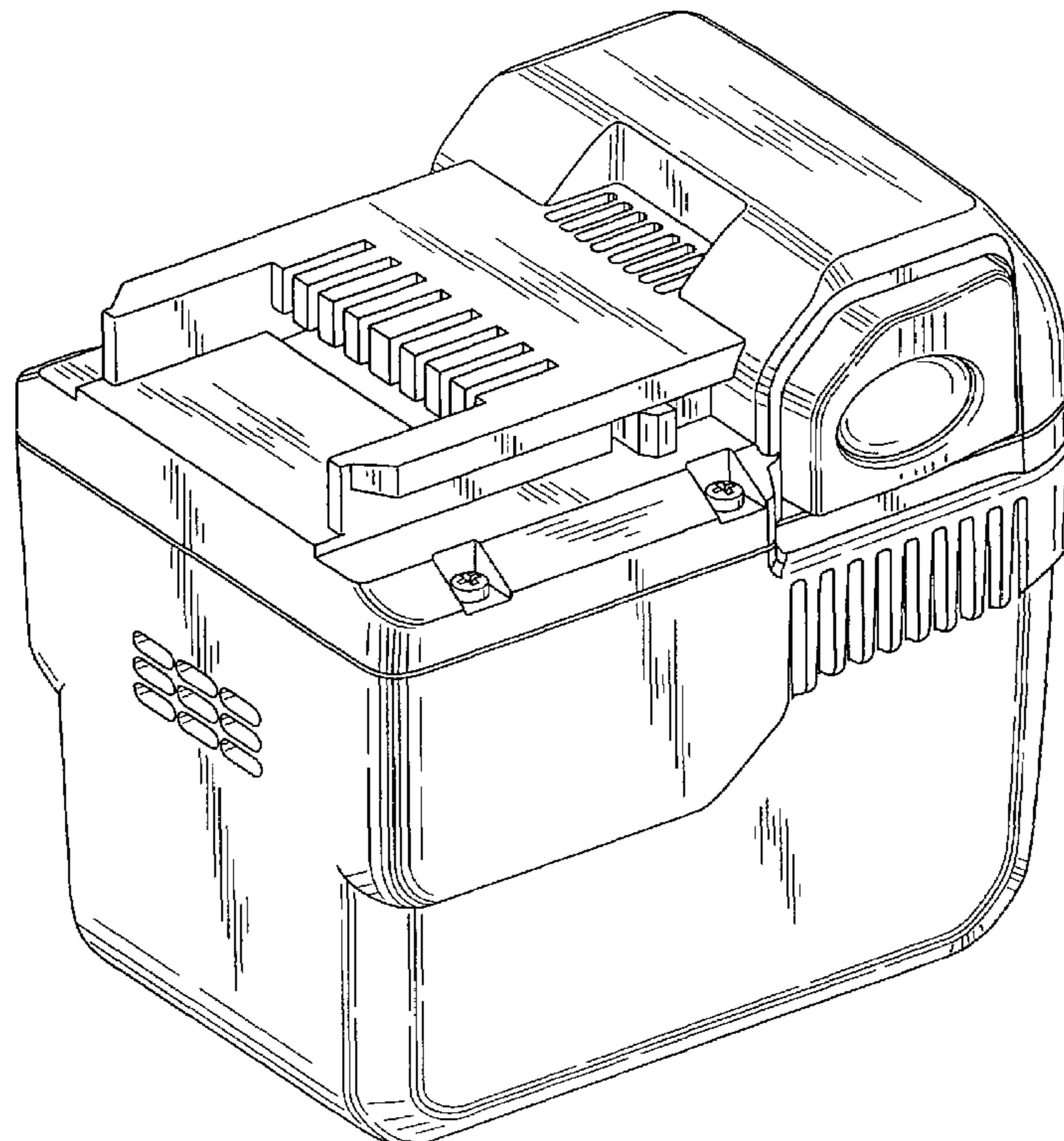
FIG. 4 is a left side elevational view thereof;

FIG. 5 is a right side elevational view thereof;

FIG. 6 is a rear elevational view thereof; and,

FIG. 7 is a bottom plan view thereof.

**1 Claim, 4 Drawing Sheets**



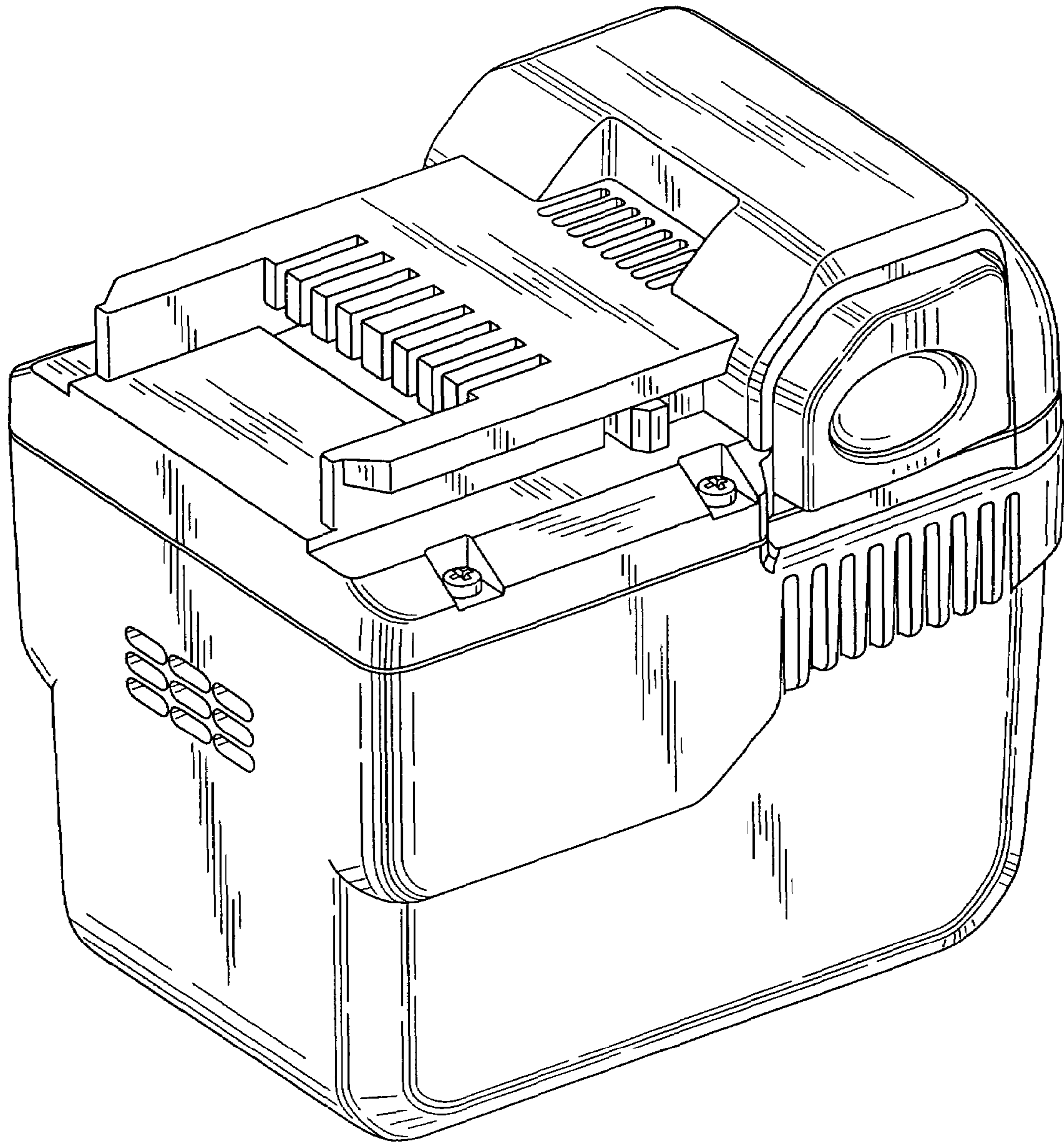


FIG. 1

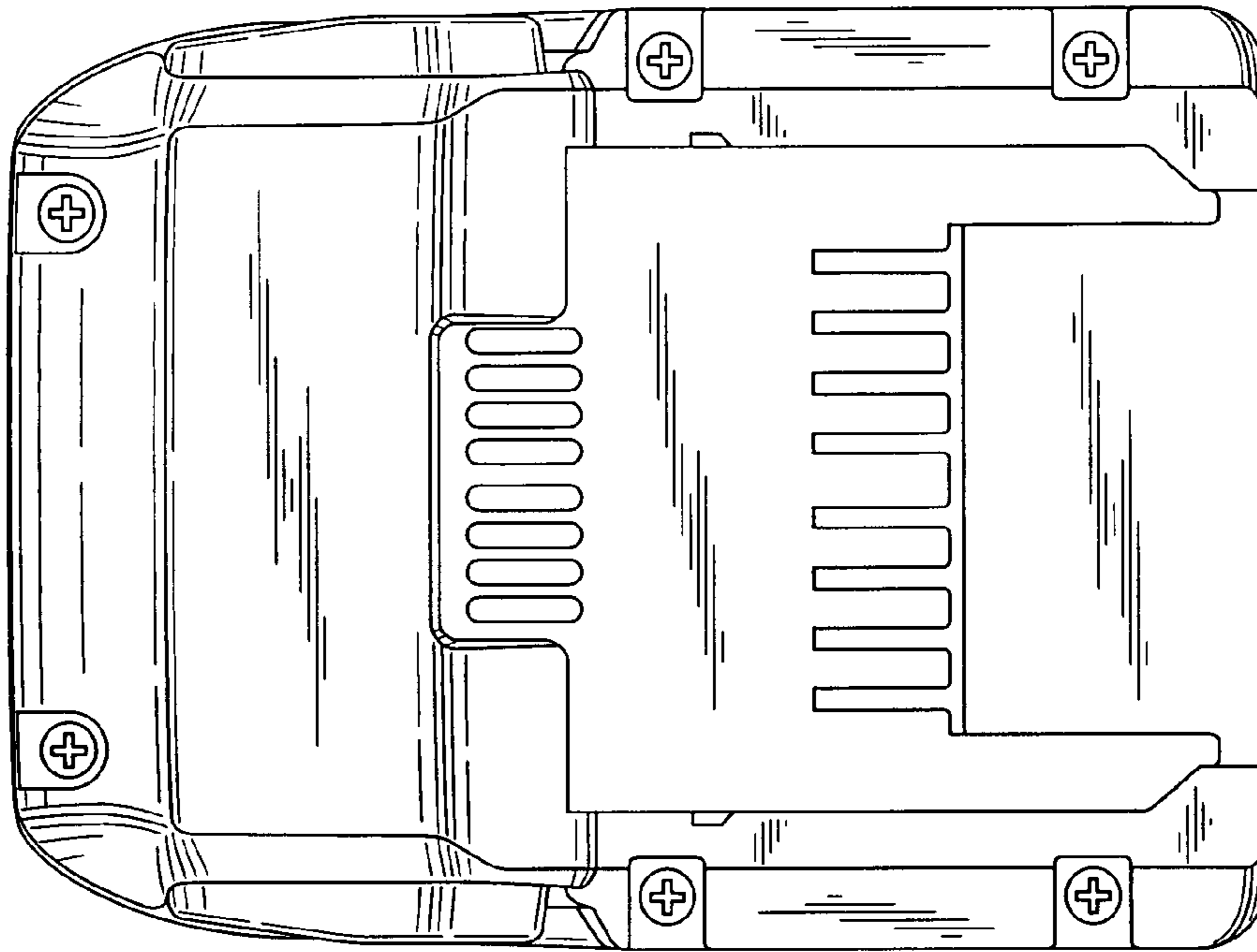


FIG. 2

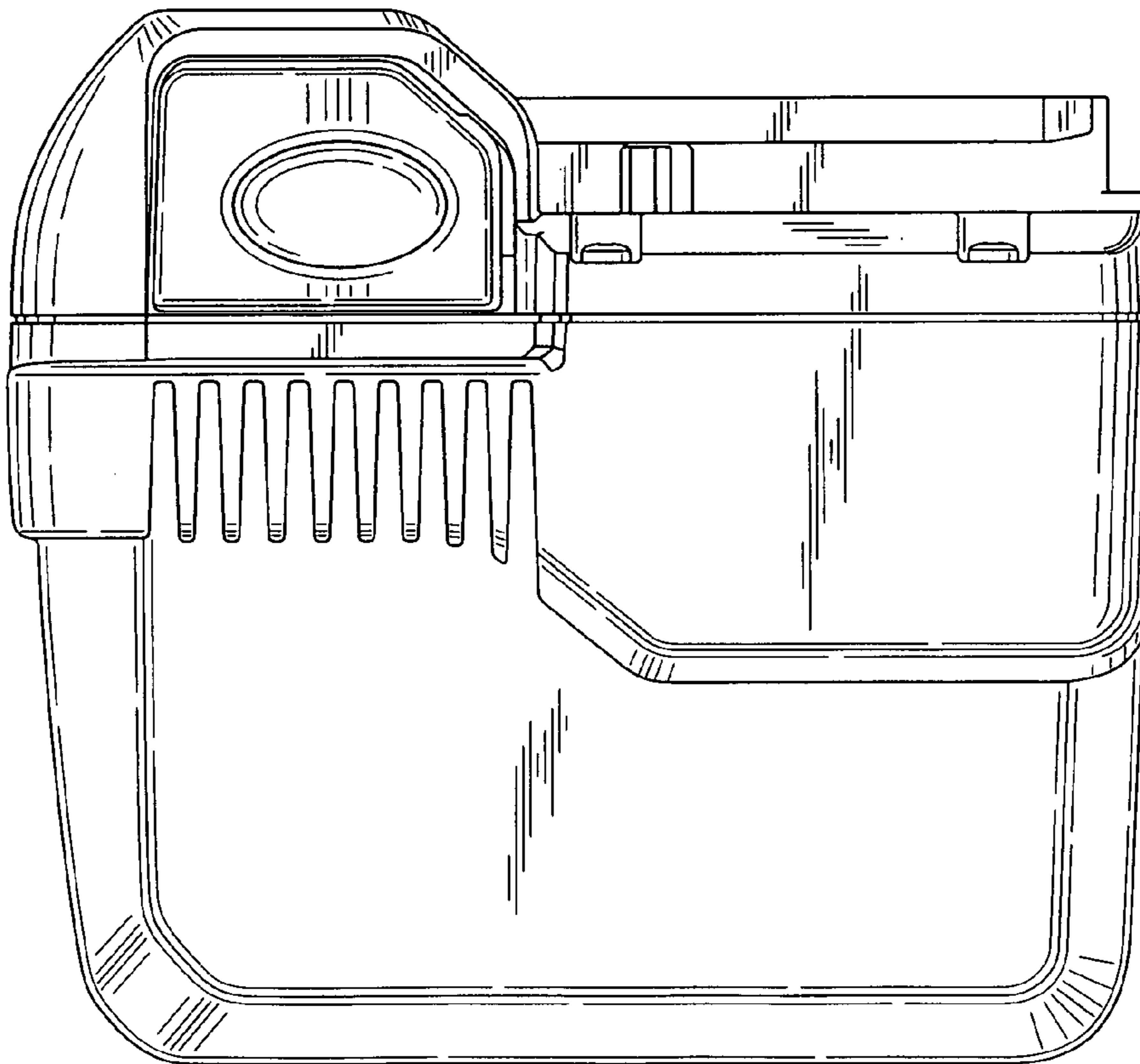


FIG. 3

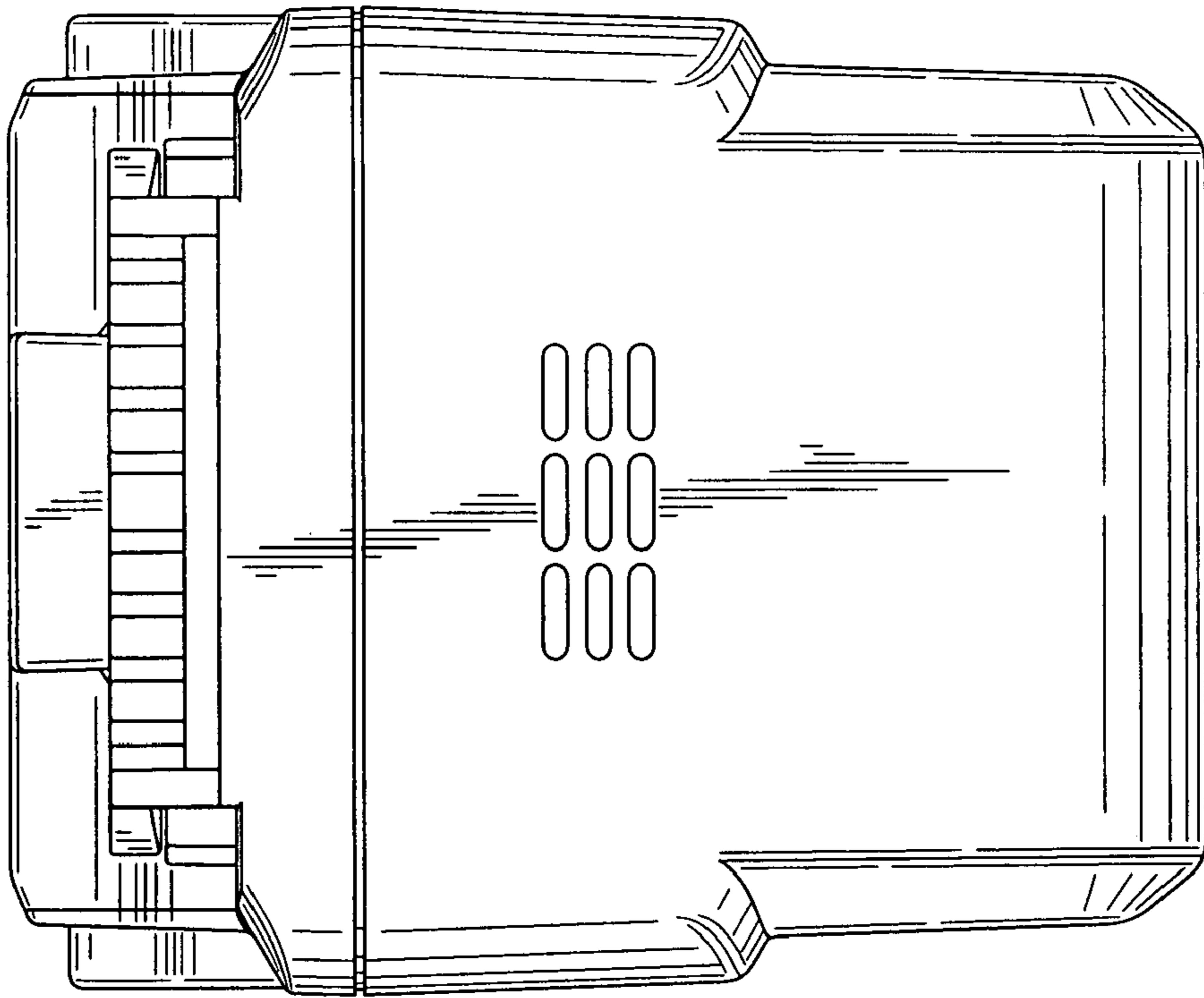


FIG. 5

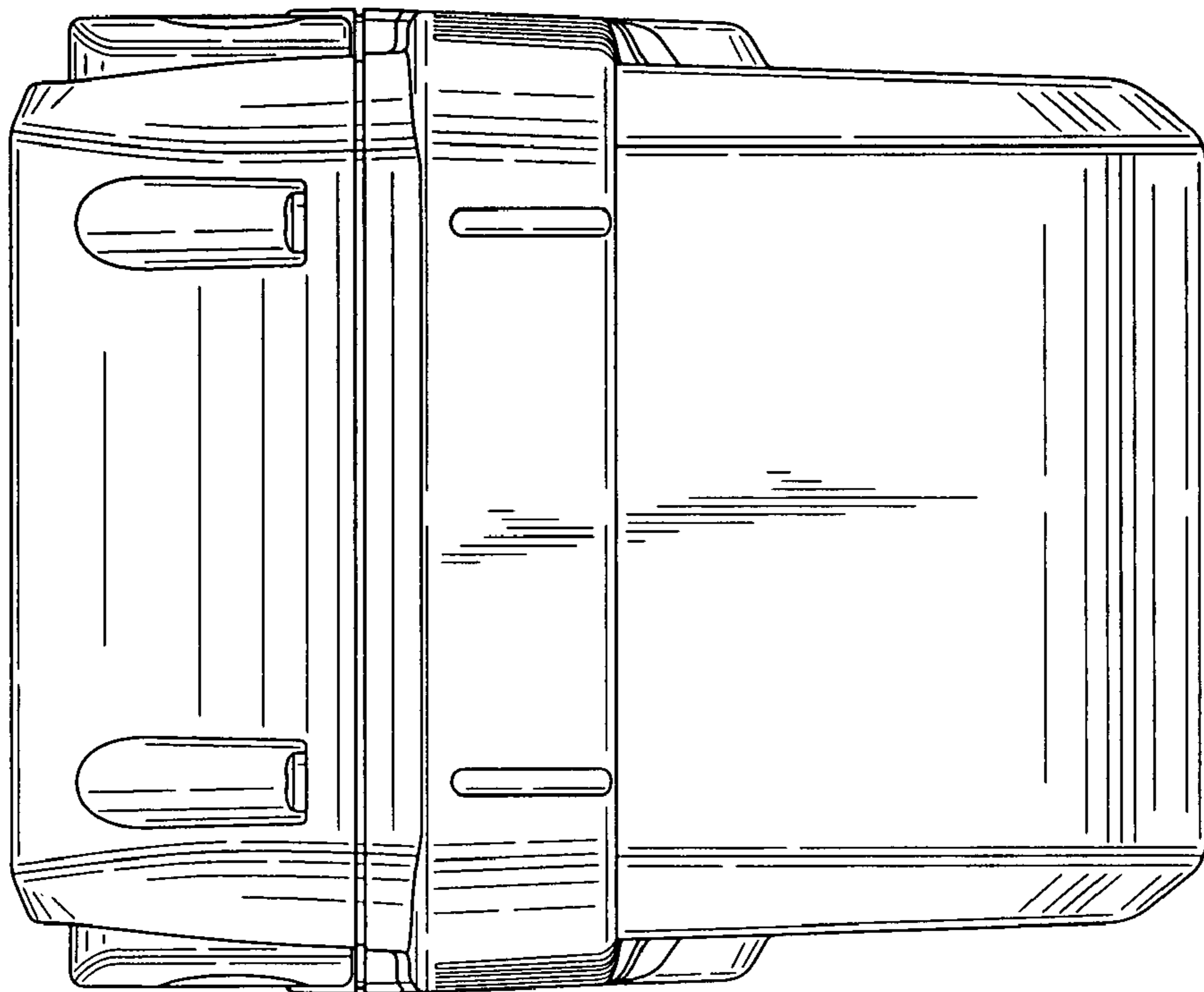


FIG. 4

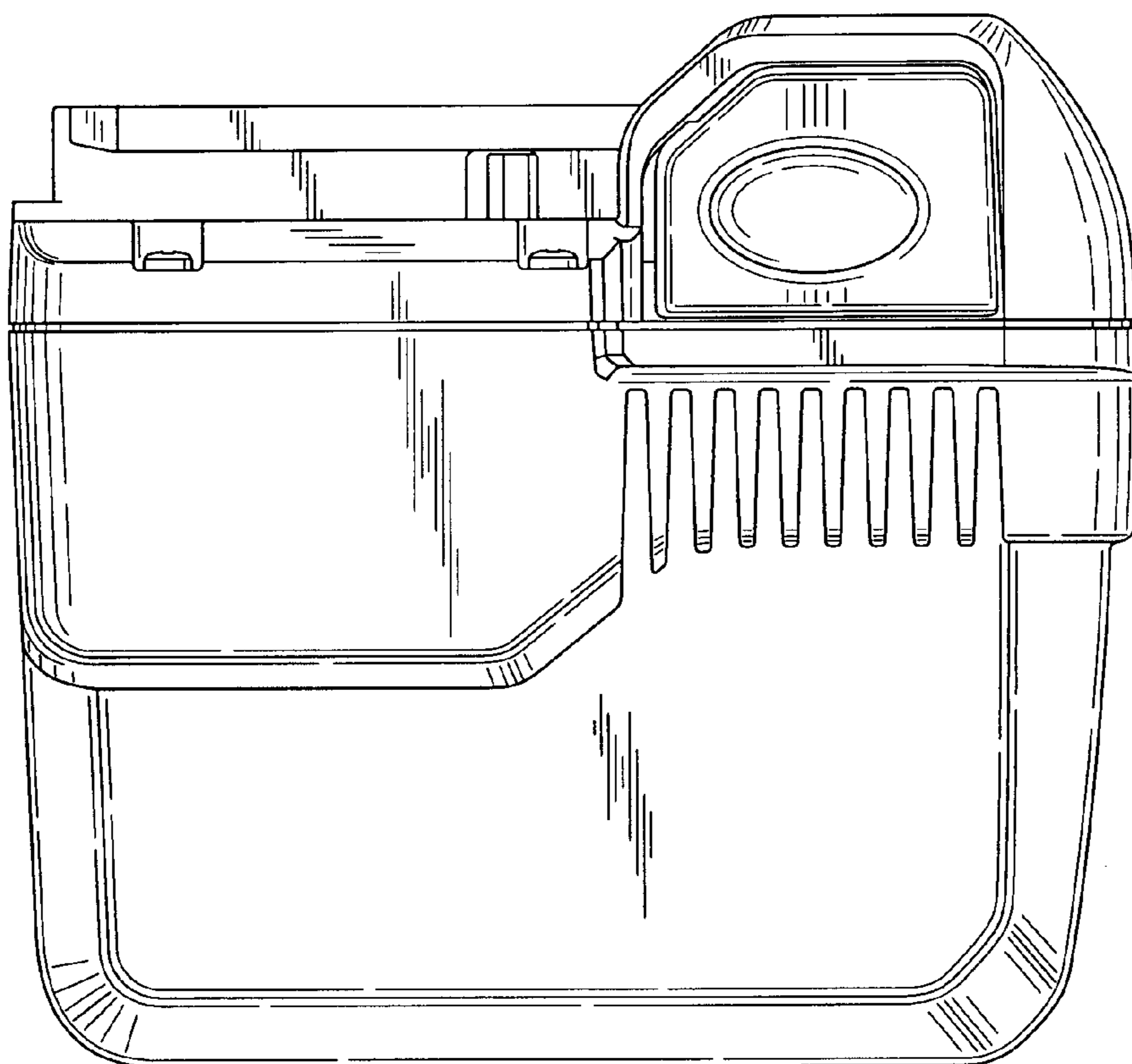


FIG. 6

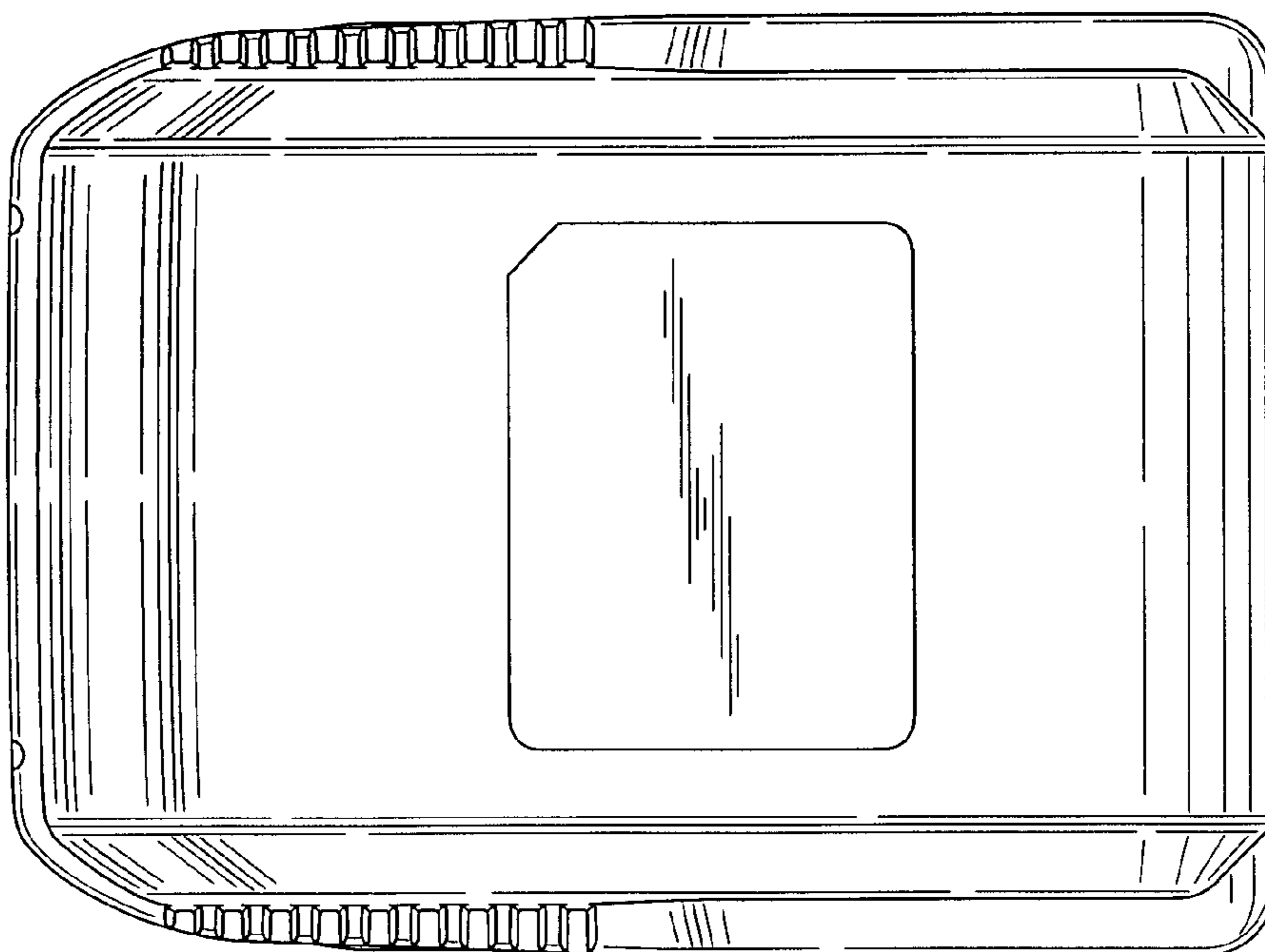


FIG. 7