

US00D562227S

(12) **United States Design Patent**  
**Yamada et al.**

(10) **Patent No.:** **US D562,227 S**  
(45) **Date of Patent:** **\*\* Feb. 19, 2008**

(54) **BATTERY PACK**

(75) Inventors: **Kenichi Yamada**, Hitachinaka (JP);  
**Masanori Okada**, Hitachinaka (JP);  
**Hiroyuki Hanawa**, Hitachinaka (JP)

(73) Assignee: **Hitachi Koki Co., Ltd.**, Tokyo (JP)

(\*\*) Term: **14 Years**

(21) Appl. No.: **29/273,421**

(22) Filed: **Mar. 6, 2007**

(30) **Foreign Application Priority Data**

Sep. 7, 2006 (JP) ..... 2006-023980

(51) **LOC (8) Cl.** ..... **13-02**

(52) **U.S. Cl.** ..... **D13/103**

(58) **Field of Classification Search** ..... D13/102-106,  
D13/110, 118-119, 184; 429/96-100, 163,  
429/176

See application file for complete search history.

(56) **References Cited**

**U.S. PATENT DOCUMENTS**

D415,100 S \* 10/1999 Buck ..... D13/103  
D436,917 S \* 1/2001 Hayakawa et al. .... D13/103  
D456,002 S \* 4/2002 Kato et al. .... D13/103  
D477,811 S \* 7/2003 Niwa et al. .... D13/103  
D481,672 S \* 11/2003 Niwa et al. .... D13/103

D512,373 S \* 12/2005 Tsai et al. .... D13/108  
D512,961 S \* 12/2005 Okuda et al. .... D13/103  
D516,504 S \* 3/2006 Okuda et al. .... D13/103  
D523,807 S \* 6/2006 Murayama et al. .... D13/103  
D535,250 S \* 1/2007 Watson ..... D13/103  
D545,759 S \* 7/2007 Ino et al. .... D13/103  
D550,152 S \* 9/2007 Okuda et al. .... D13/103  
2003/0039880 A1\* 2/2003 Turner et al. .... 429/97

\* cited by examiner

*Primary Examiner*—Cathron Brooks

*Assistant Examiner*—Rosemary K Tarcza

(74) *Attorney, Agent, or Firm*—Sughrue Mion, PLLC

(57) **CLAIM**

The ornamental design for a battery pack, as shown.

**DESCRIPTION**

FIG. 1 is a perspective view of the top, front and left side of a battery pack showing our new design;

FIG. 2 is a top plan view thereof;

FIG. 3 is a front elevational view thereof;

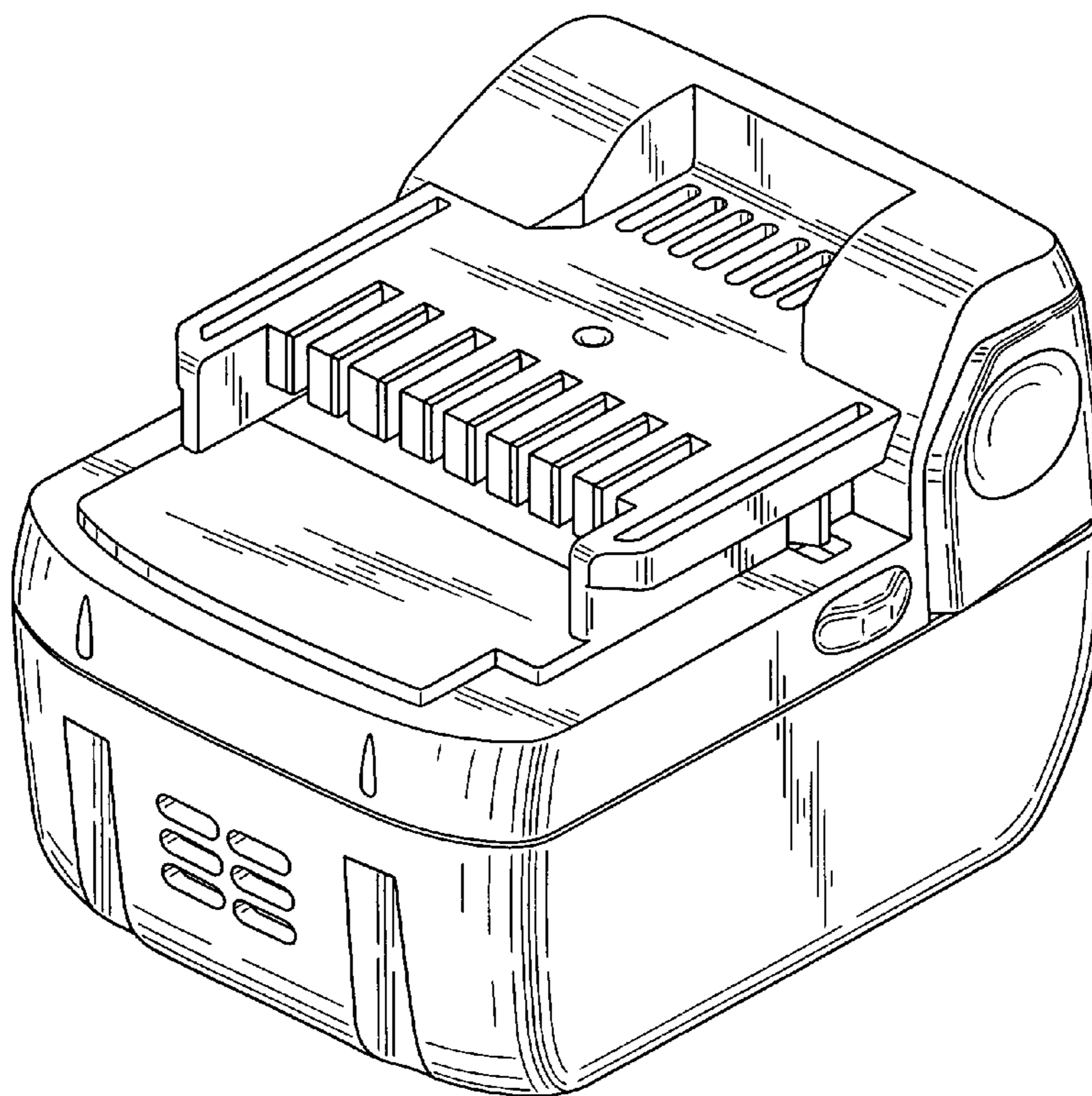
FIG. 4 is a left side elevational view thereof;

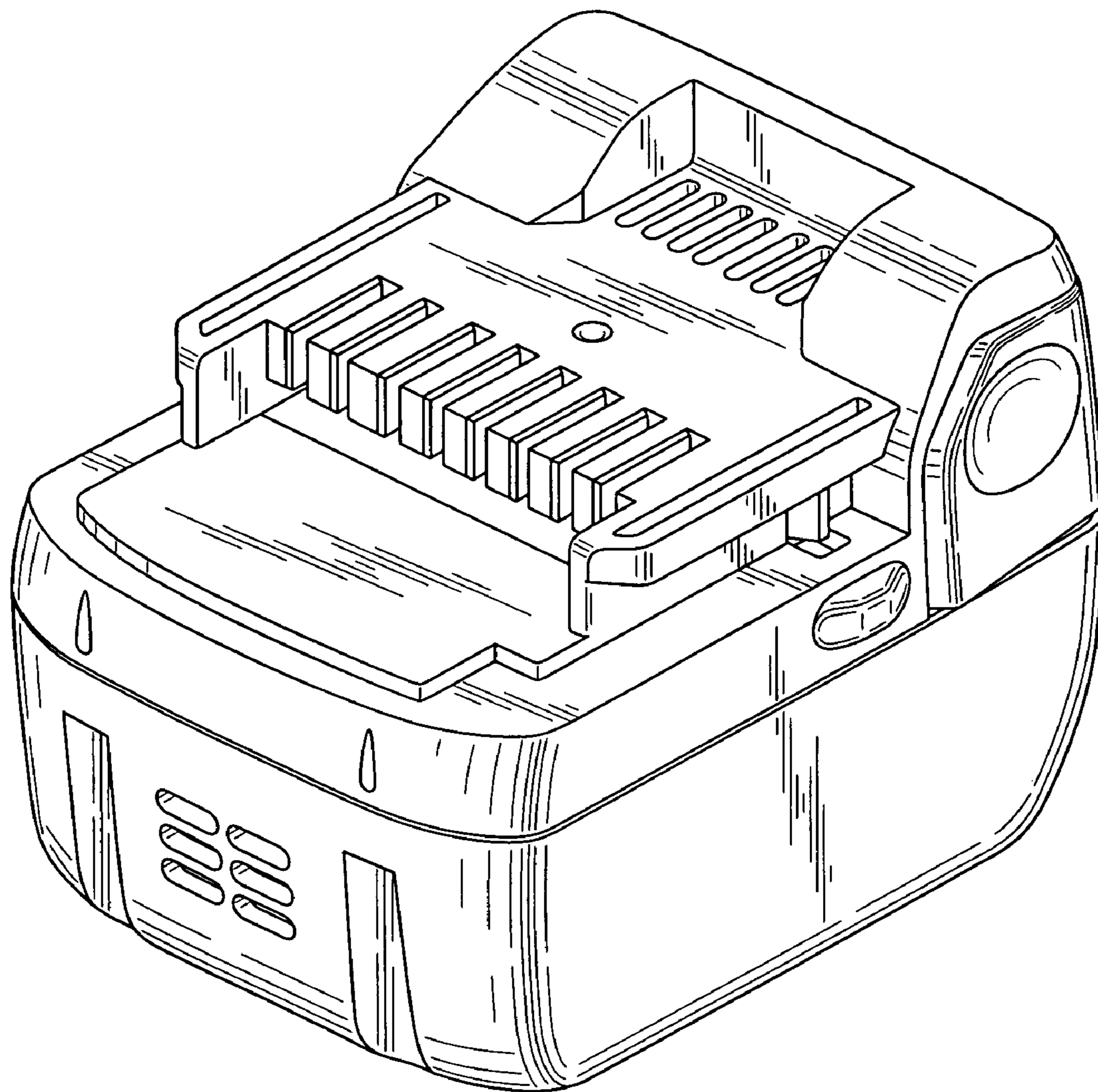
FIG. 5 is a right side elevational view thereof;

FIG. 6 is a rear elevational view thereof; and,

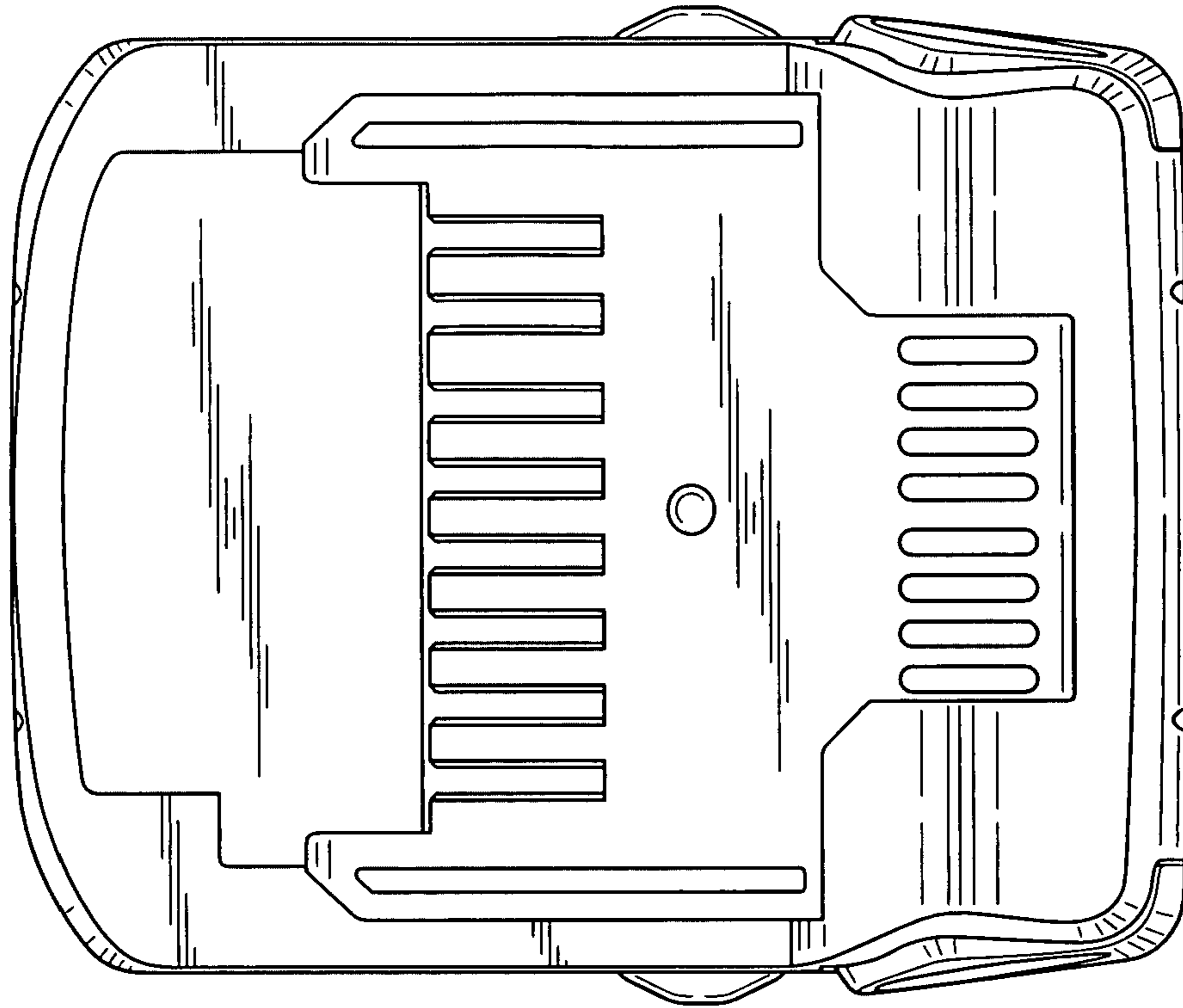
FIG. 7 is a bottom plan view thereof.

**1 Claim, 4 Drawing Sheets**

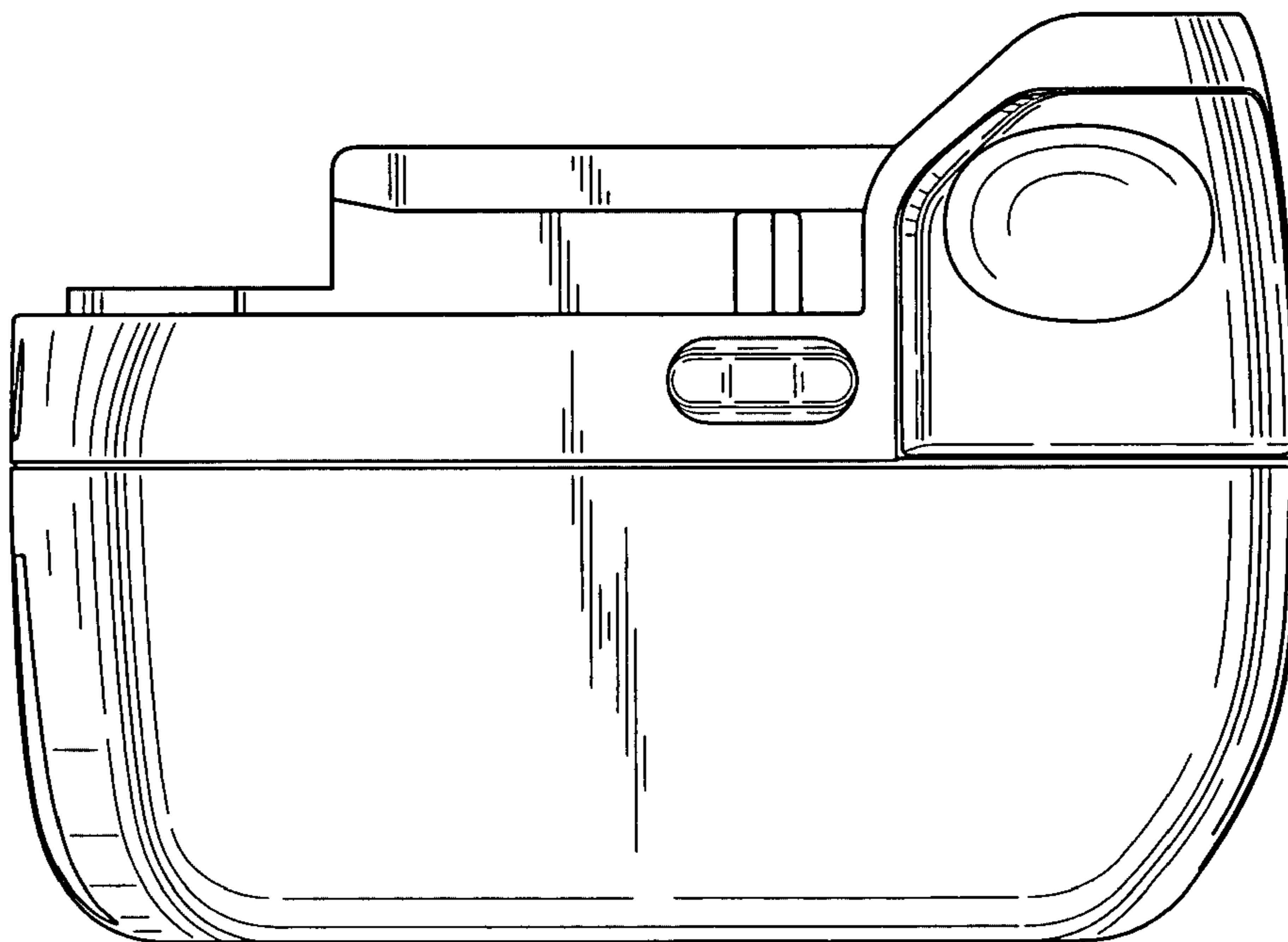




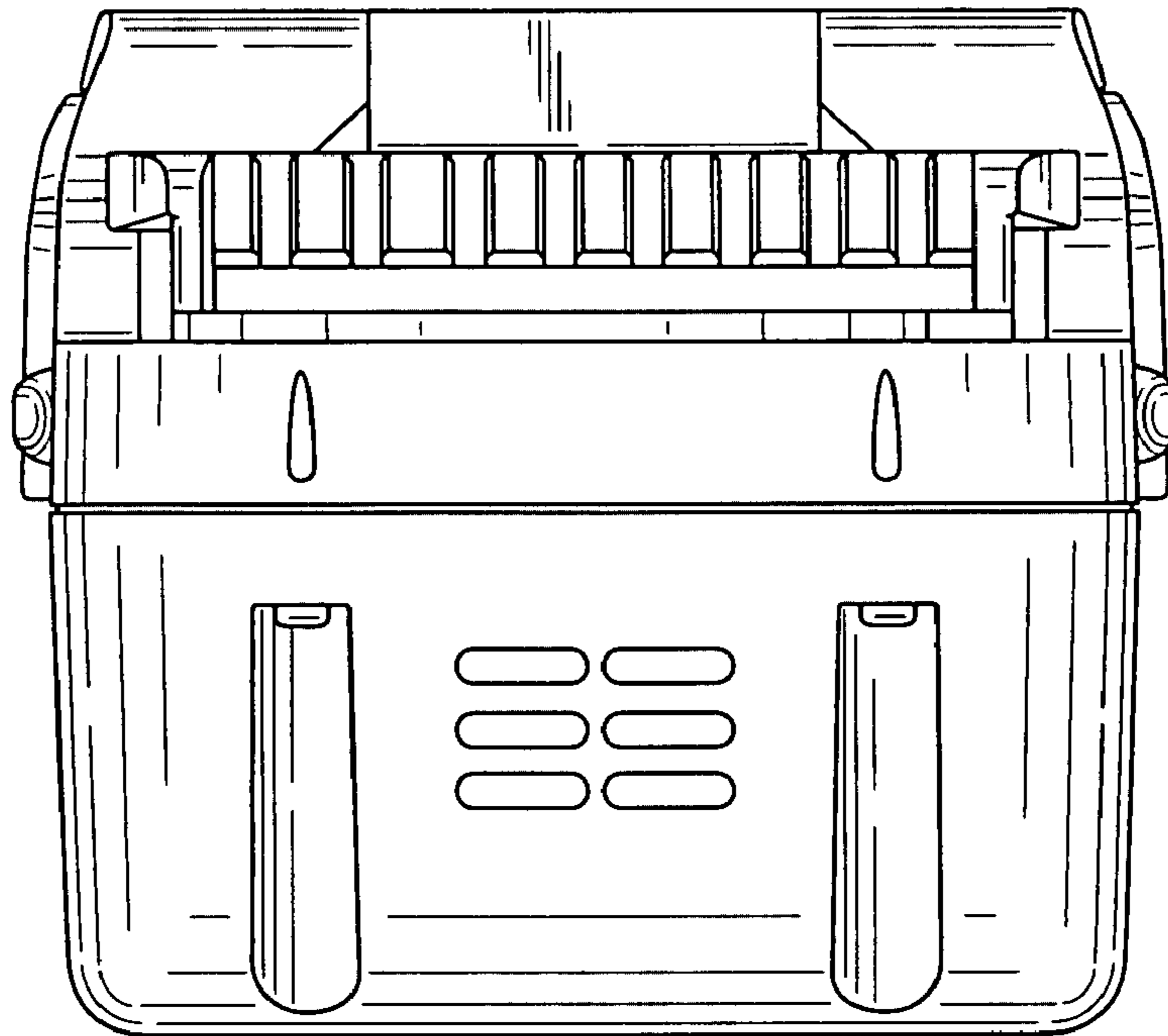
*FIG. 1*



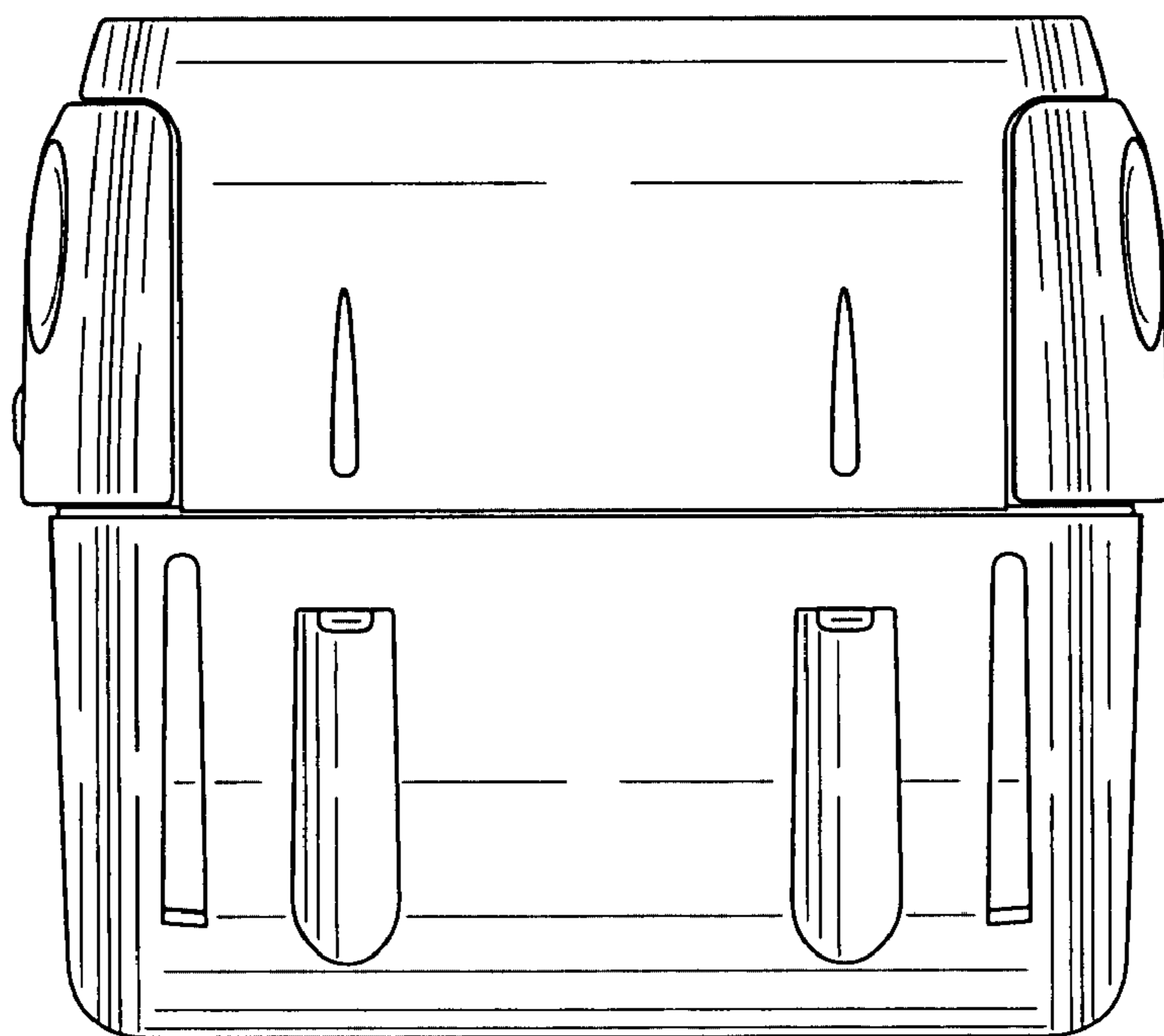
*FIG. 2*



*FIG. 3*

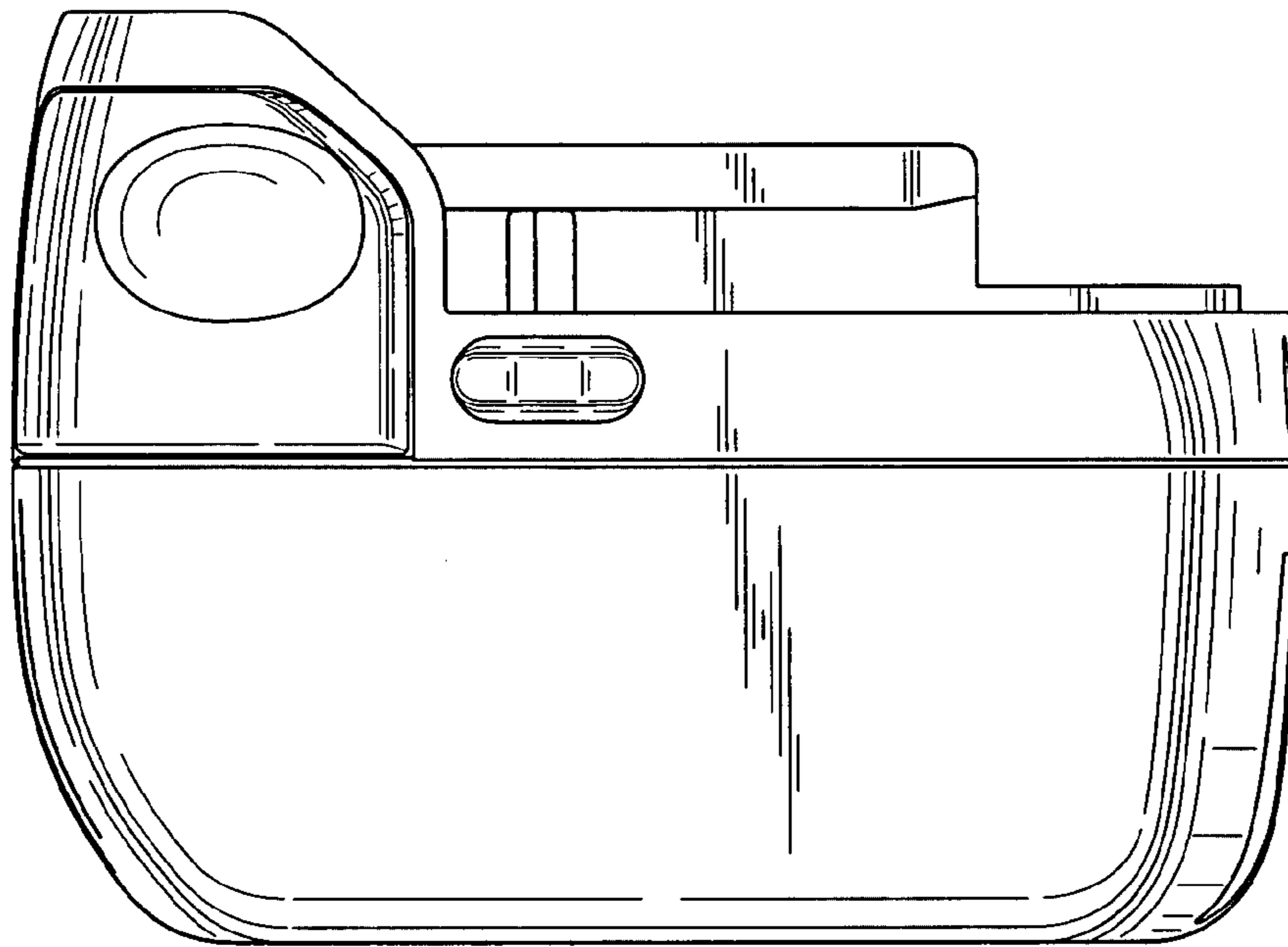


*FIG. 4*

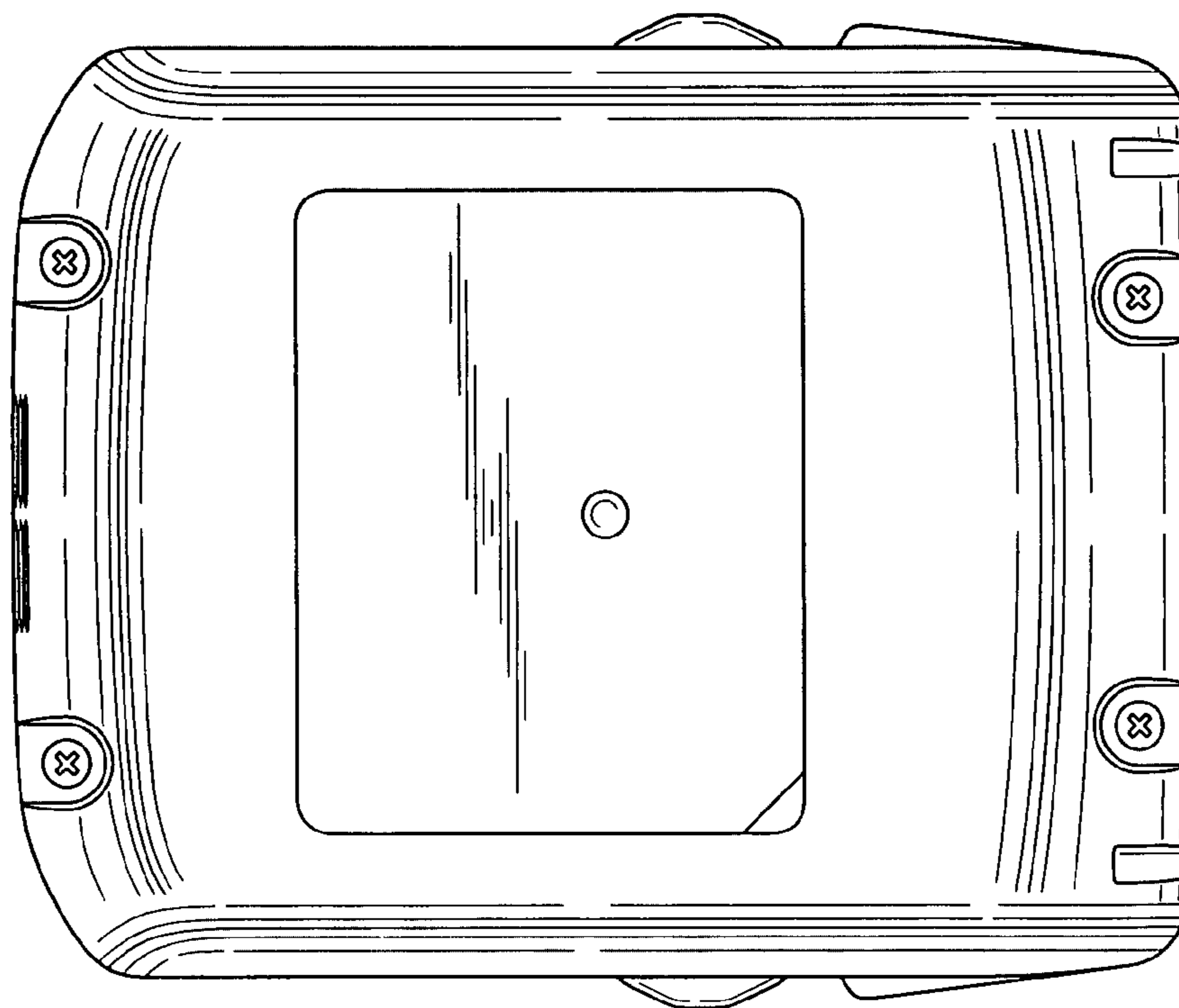


*FIG. 5*





*FIG. 6*



*FIG. 7*