

US00D562226S

(12) **United States Design Patent** (10) **Patent No.:** **US D562,226 S**  
**Uehlein-Proctor et al.** (45) **Date of Patent:** **\*\* Feb. 19, 2008**

(54) **POWER TOOL BATTERY**

6,057,608 A 5/2000 Bailey, Jr. et al.

(75) Inventors: **Nancy Uehlein-Proctor**, Nashotah, WI (US); **Jeffrey S. Holly**, Menomonee Falls, WI (US); **Matthew J. Mergener**, Germantown, WI (US)

(Continued)

**FOREIGN PATENT DOCUMENTS**

DE 3742268 6/1989

(73) Assignee: **Milwaukee Electric Tool Corporation**, Brookfield, WI (US)

(Continued)

(\*\*) Term: **14 Years**

*Primary Examiner*—Cathron Brooks

*Assistant Examiner*—Rosemary K Tarca

(21) Appl. No.: **29/259,899**

(74) *Attorney, Agent, or Firm*—Michael Best & Friedrich LLP

(22) Filed: **May 17, 2006**

(51) **LOC (8) Cl.** ..... **13-02**

(52) **U.S. Cl.** ..... **D13/103**

(58) **Field of Classification Search** ..... D13/102–106,  
D13/110, 118–119, 184; 429/96–100, 163,  
429/176

See application file for complete search history.

(57) **CLAIM**

We claim the ornamental design for a power tool battery, as shown and described.

**DESCRIPTION**

(56) **References Cited**

**U.S. PATENT DOCUMENTS**

2,876,273 A *	3/1959	Hall	.....	429/100
4,050,003 A	9/1977	Owings et al.		
4,410,846 A	10/1983	Gerber et al.		
4,522,270 A	6/1985	Kishi		
4,626,765 A	12/1986	Tanaka		
4,638,237 A	1/1987	Fernandez		
4,659,976 A	4/1987	Johanson		
4,743,831 A	5/1988	Young		
4,876,632 A	10/1989	Ostehout et al.		
4,962,347 A	10/1990	Burroughs et al.		
5,032,825 A	7/1991	Kuznicki		
5,105,130 A	4/1992	Barker et al.		
5,122,427 A *	6/1992	Flowers et al.	.....	429/97
5,248,929 A	9/1993	Burke		
5,293,156 A	3/1994	Shoji et al.		
5,519,383 A	5/1996	De La Rosa		
D388,060 S *	12/1997	Tanaka et al.	.....	D13/103
5,751,217 A	5/1998	Kchao et al.		
5,844,401 A	12/1998	Lee		
5,966,079 A	10/1999	Tanguay		

FIG. 1 is a front perspective view of a power tool battery according to an embodiment of the present invention.

FIG. 2 is a top view of the power tool battery shown in FIG. 1.

FIG. 3 is a bottom view of the power tool battery shown in FIG. 1.

FIG. 4 is a front view of the power tool battery shown in FIG. 1.

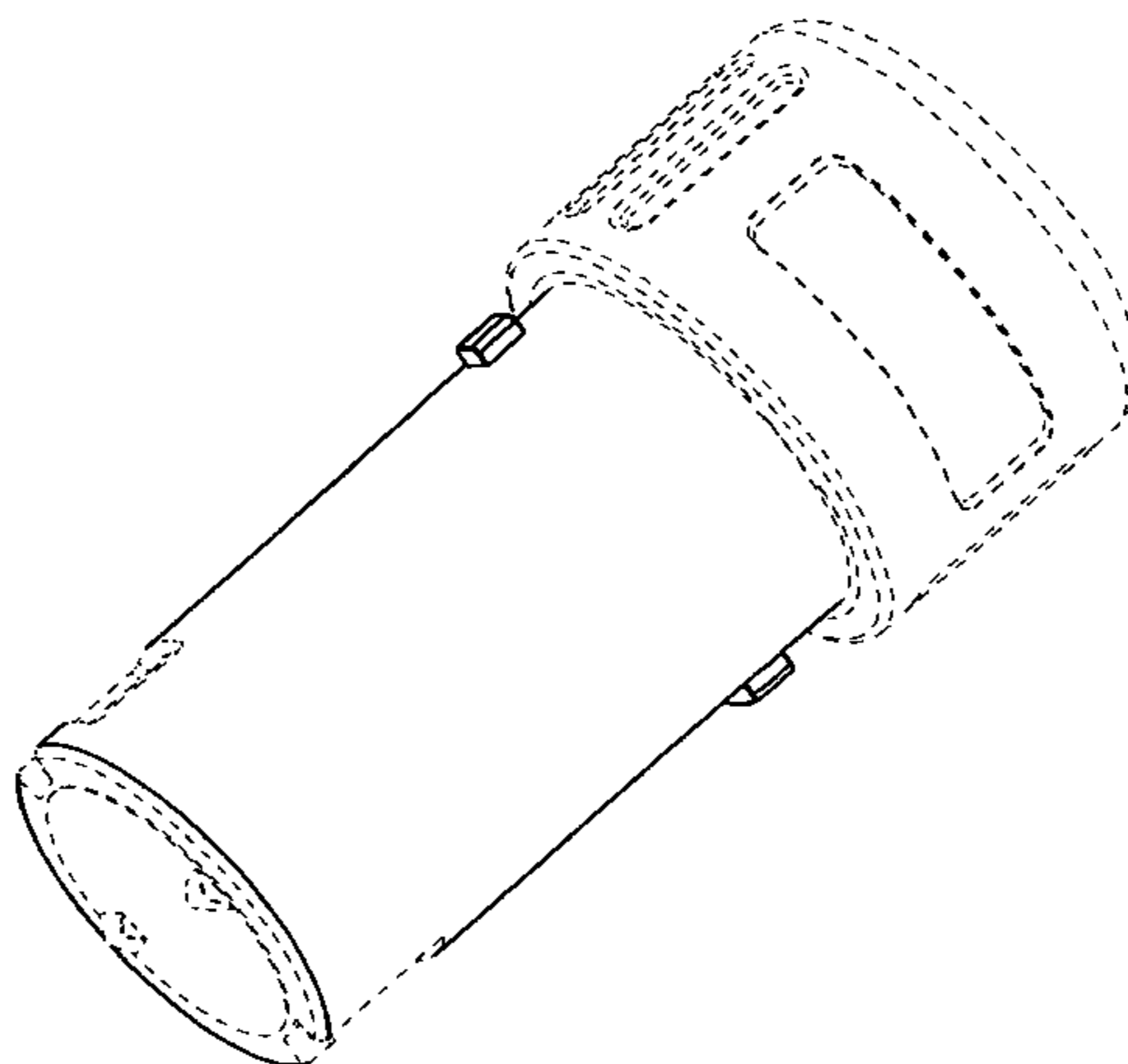
FIG. 5 is a rear view of the power tool battery shown in FIG. 1.

FIG. 6 is a right side view of the power tool battery shown in FIG. 1; and,

FIG. 7 is a left side view of the power tool battery shown in FIG. 1.

The broken line showing of the environment is for illustrative purposes only and forms no part of the claimed design. The broken lines which define the boundaries of the claimed design form no part thereof.

**1 Claim, 4 Drawing Sheets**



# US D562,226 S

Page 2

## U.S. PATENT DOCUMENTS

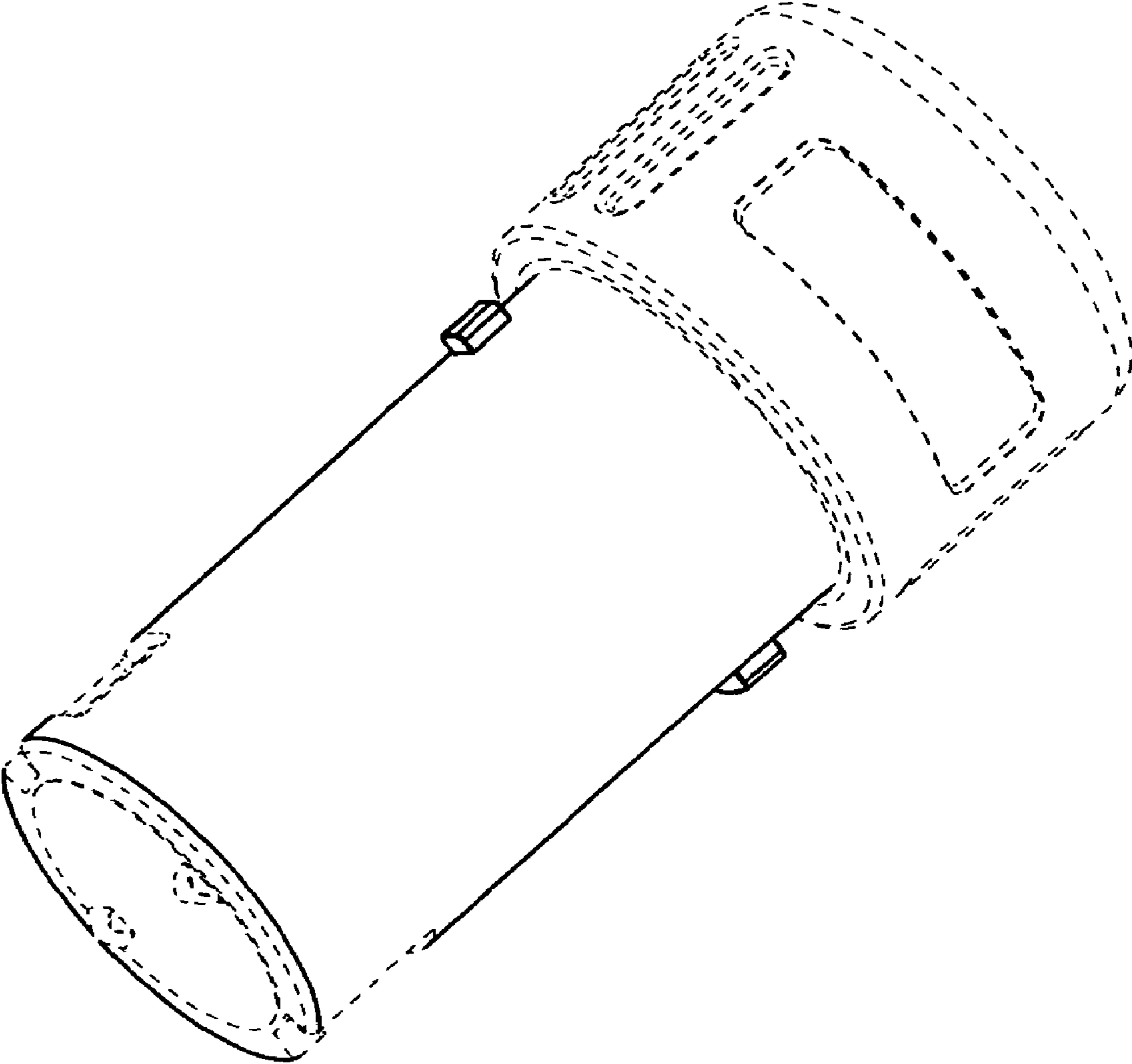
6,075,341 A 6/2000 White et al.  
6,140,927 A 10/2000 Whitmire  
6,191,557 B1 2/2001 Gray et al.  
6,201,372 B1 3/2001 Green, Jr. et al.  
6,252,380 B1 6/2001 Koenck  
6,304,058 B2 10/2001 Watson et al.  
6,329,788 B1 12/2001 Bailey, Jr. et al.  
D456,353 S \* 4/2002 Shown et al. .... D13/110  
D457,131 S \* 5/2002 Kitoh et al. .... D13/103  
6,386,730 B1 5/2002 Matthews  
6,396,407 B1 5/2002 Kobayashi  
6,515,451 B2 2/2003 Watson et al.  
6,650,089 B1 11/2003 Freeman et al.  
6,653,815 B2 11/2003 Watson et al.  
6,653,816 B2 11/2003 Peek et al.  
6,969,974 B1 11/2005 Liu  
6,996,909 B1 2/2006 Buck et al.  
7,005,831 B2 2/2006 Watson et al.  
D528,502 S \* 9/2006 Fleetwood ..... D13/103

7,105,249 B2 \* 9/2006 Hall et al. .... 429/176  
D531,117 S \* 10/2006 Schrick et al. .... D13/103  
D539,217 S \* 3/2007 Hamaguchi ..... D13/103  
D543,143 S \* 5/2007 Hamaguchi ..... D13/103  
D547,264 S \* 7/2007 Kondo ..... D13/103  
2002/0064041 A1 5/2002 Parker  
2002/0089306 A1 7/2002 Kubale et al.  
2004/0257035 A1 12/2004 Chang  
2005/0151507 A1 7/2005 Smith  
2005/0196665 A1 \* 9/2005 Shimizu et al. .... 429/99  
2006/0070459 A1 4/2006 Kugler  
2006/0091858 A1 5/2006 Johnson et al.  
2006/0103357 A1 5/2006 Johnson et al.

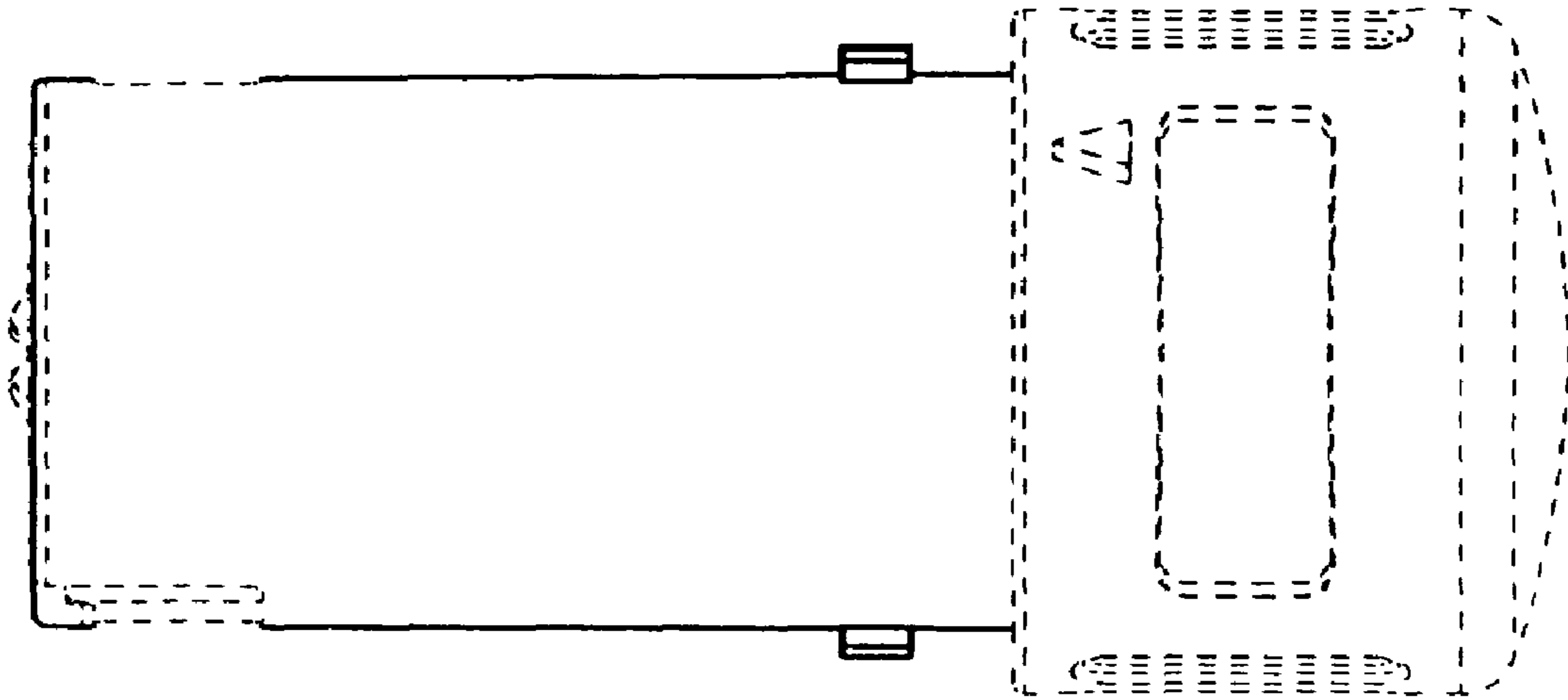
## FOREIGN PATENT DOCUMENTS

EP 0572327 12/1993  
GB 2293056 3/1996

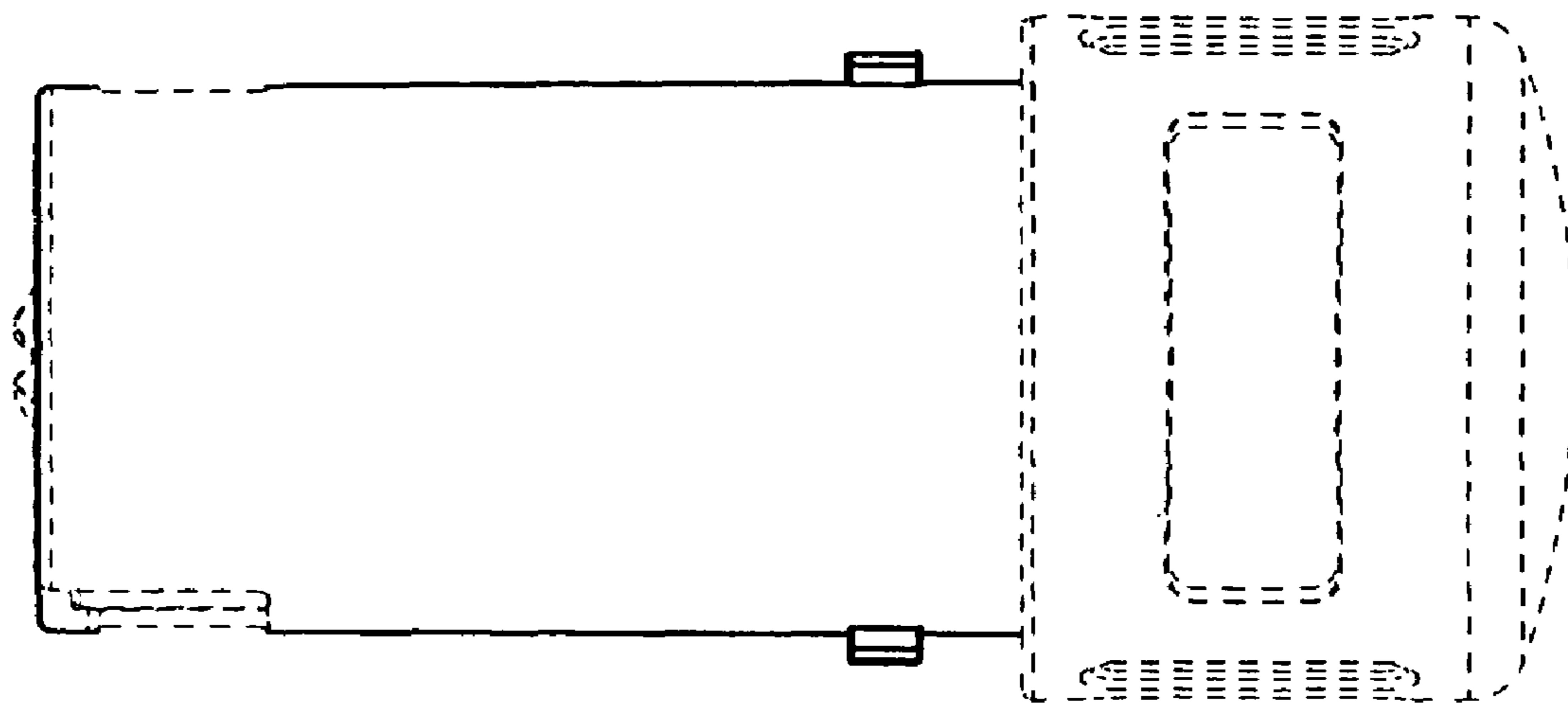
\* cited by examiner



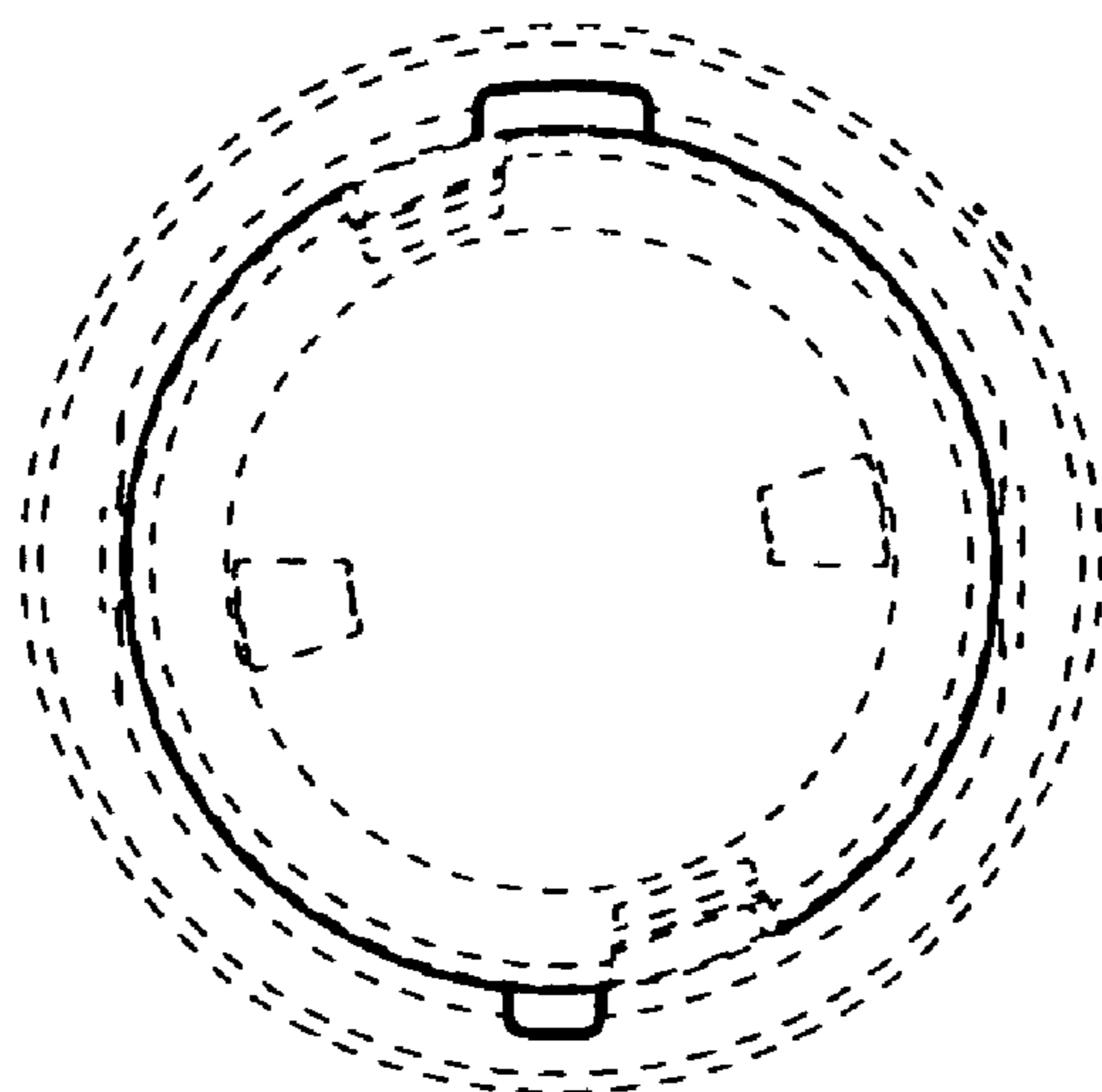
**FIG. 1**



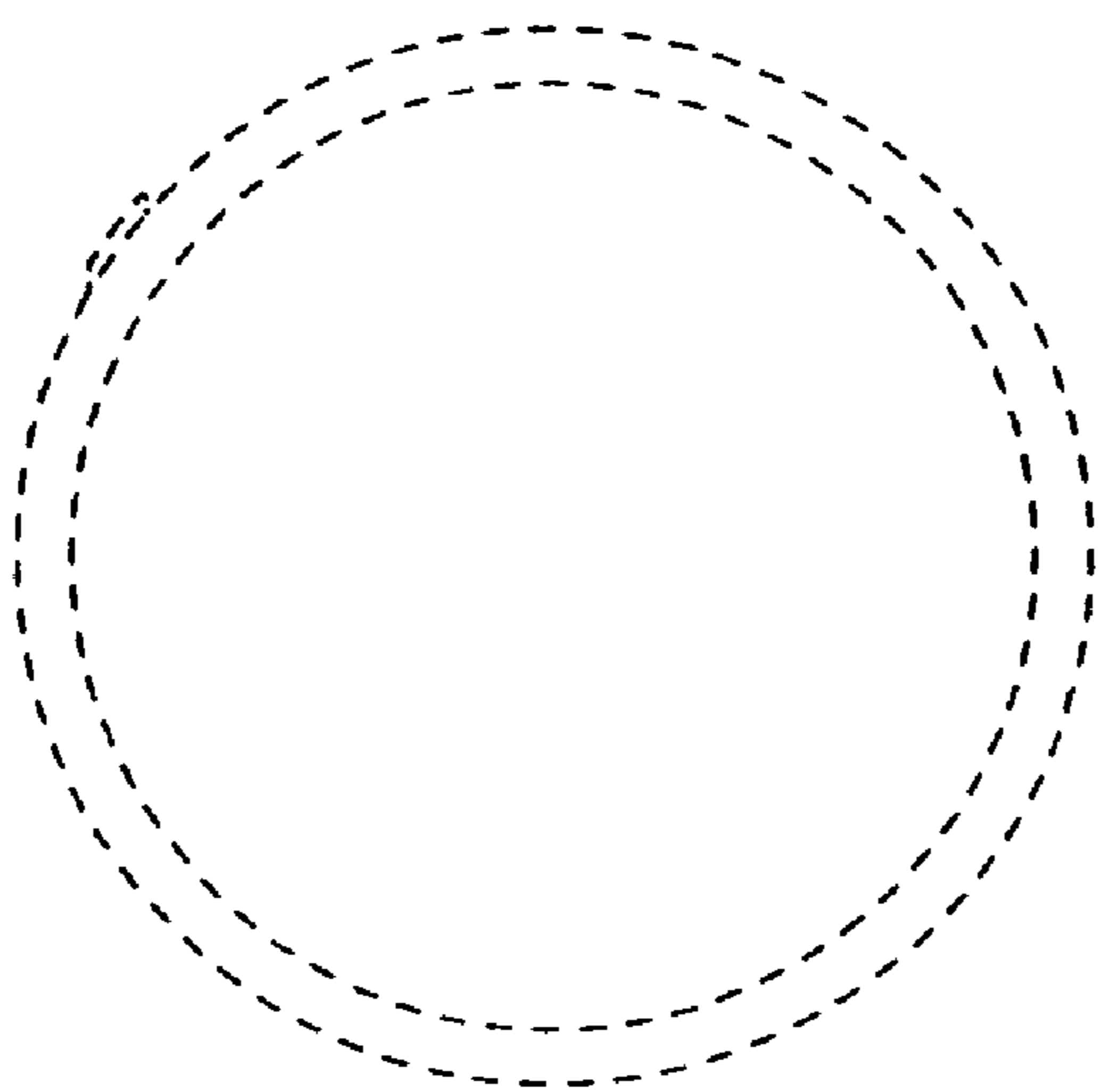
**FIG. 2**



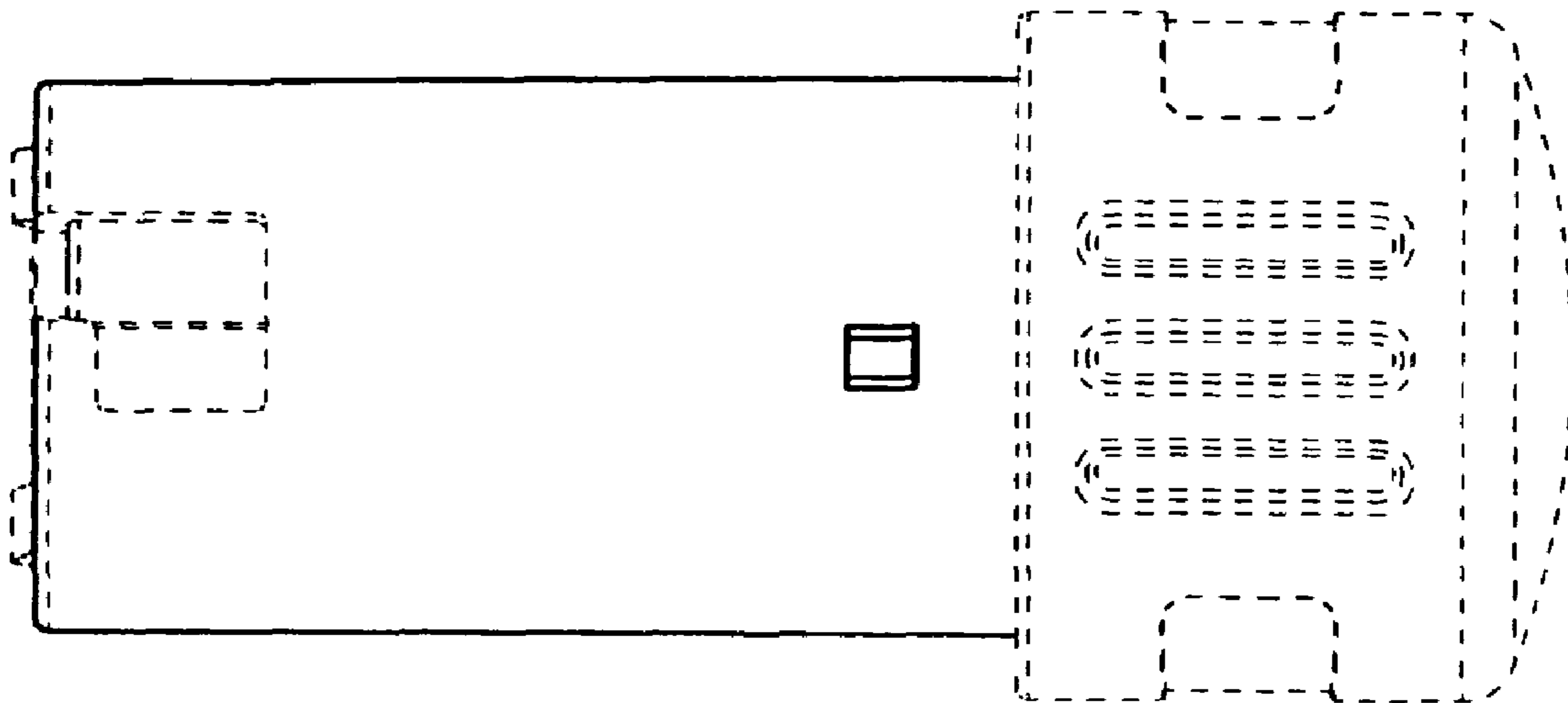
**FIG. 3**



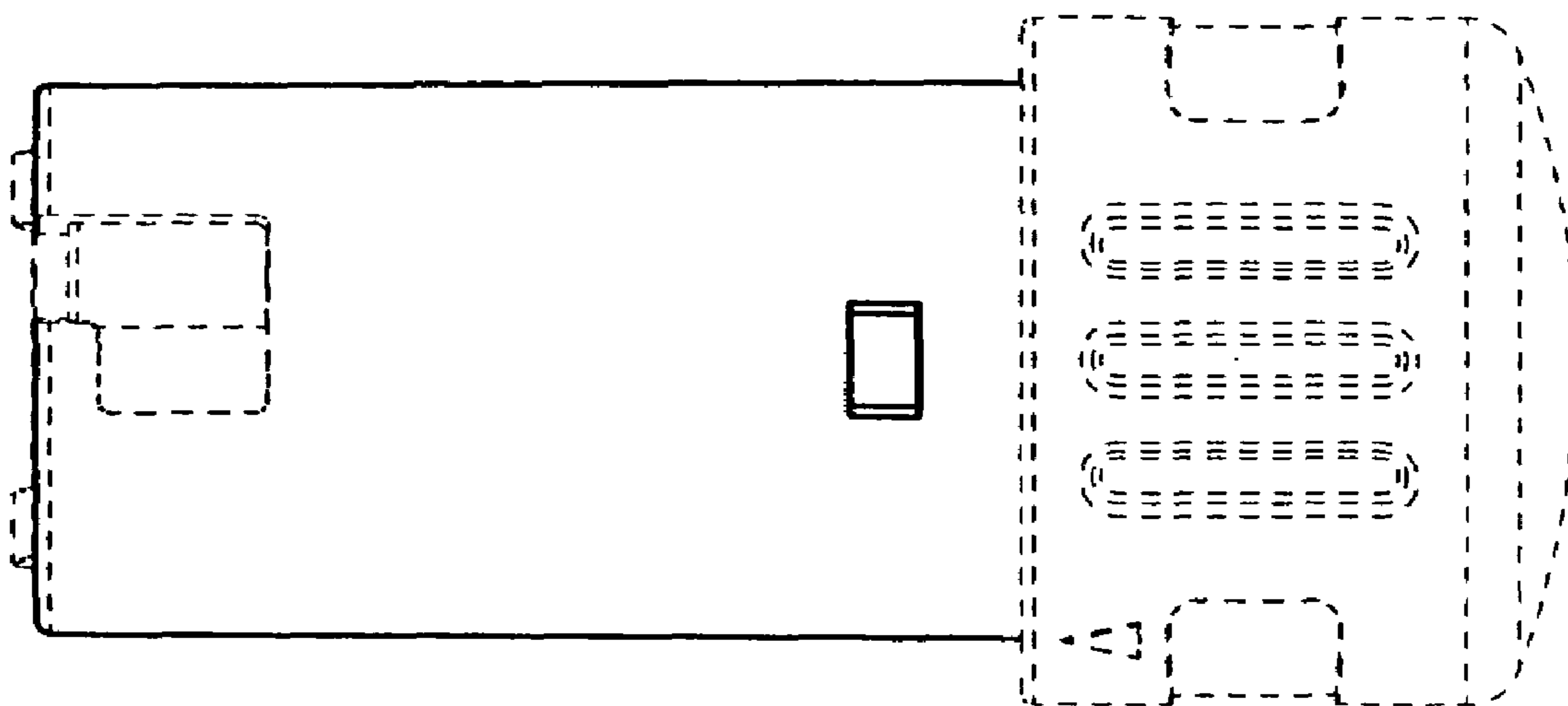
**FIG. 4**



**FIG. 5**



**FIG. 6**



**FIG. 7**