



US00D562225S

(12) **United States Design Patent** (10) **Patent No.:** **US D562,225 S**
Almy et al. (45) **Date of Patent:** **** Feb. 19, 2008**

(54) **SUPPORT BASE FOR SOLAR COLLECTOR ASSEMBLY**

(75) Inventors: **Charles Almy**, Berkeley, CA (US);
Jason Jones, Berkeley, CA (US)

(73) Assignee: **SunPower Corporation**, San Jose, CA (US)

(**) Term: **14 Years**

(21) Appl. No.: **29/278,258**

(22) Filed: **Mar. 23, 2007**

(51) **LOC (8) Cl.** **13-02**

(52) **U.S. Cl.** **D13/102**

(58) **Field of Classification Search** D13/102,
D13/184, 199; D6/449, 512, 519, 540, 574;
D8/352, 354; D22/110; 126/621-623, 704,
126/904; 136/251

See application file for complete search history.

(56) **References Cited**

U.S. PATENT DOCUMENTS

D256,840 S *	9/1980	Katz	D13/102
D357,603 S *	4/1995	Wolff	D6/449
D361,561 S *	8/1995	Baudot	D14/447
5,768,831 A *	6/1998	Melchior	52/173.3
D416,878 S *	11/1999	Yeh et al.	D14/447
D510,315 S *	10/2005	Shugar et al.	D13/102

* cited by examiner

Primary Examiner—Prabhakar Deshmukh

Assistant Examiner—Derrick Holland

(74) *Attorney, Agent, or Firm*—James F. Hann; Haynes Beffel & Wolfeld LLP

(57) **CLAIM**

The ornamental design for a support base for solar collector assembly, as shown and described.

DESCRIPTION

This application is related to the following US patent application, having the same inventors and the same title, and filed on the same day as this application: application Ser. No. 29/278,260.

The Support Base for Solar Collector Assembly is used to support solar collector assemblies, typically ground-mounted solar collector assemblies.

FIG. 1 is an isometric view of a support base for solar collector assembly, showing our new design;

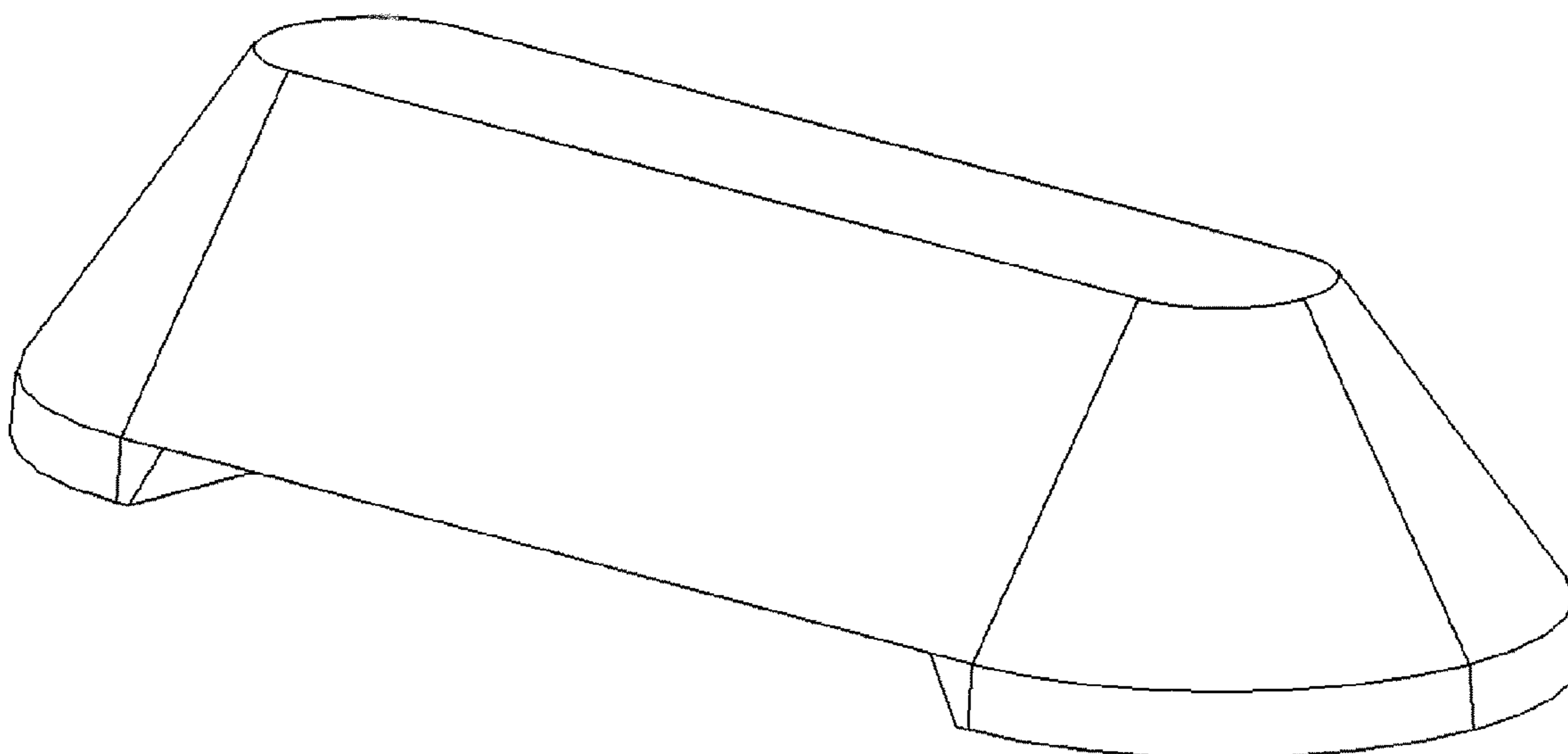
FIG. 2 is a front elevational view thereof;

FIG. 3 is a right side elevational view thereof, the left side elevational view being identical;

FIG. 4 is a top plan view thereof; and,

FIG. 5 is a bottom plan view thereof.

1 Claim, 5 Drawing Sheets



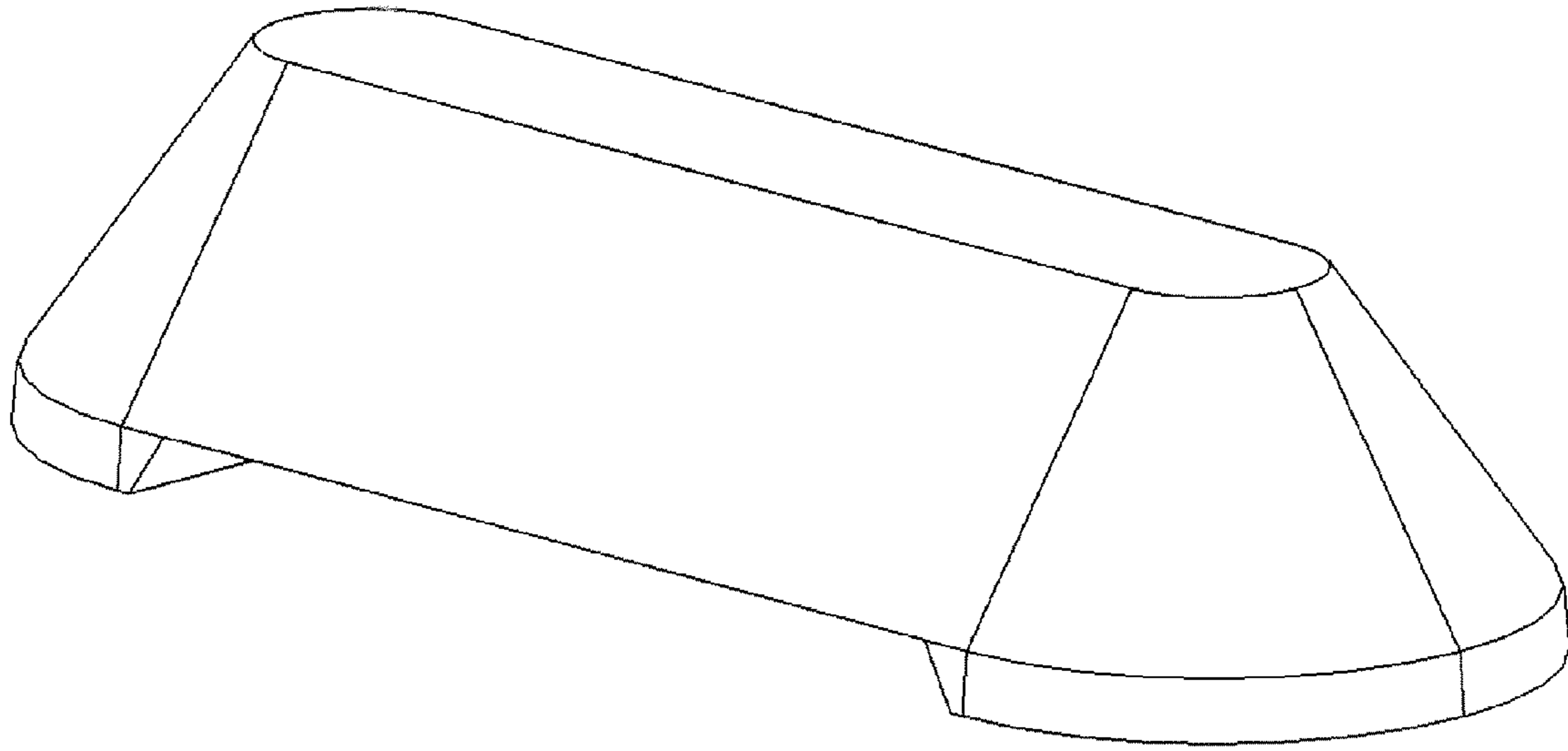


FIG. 1

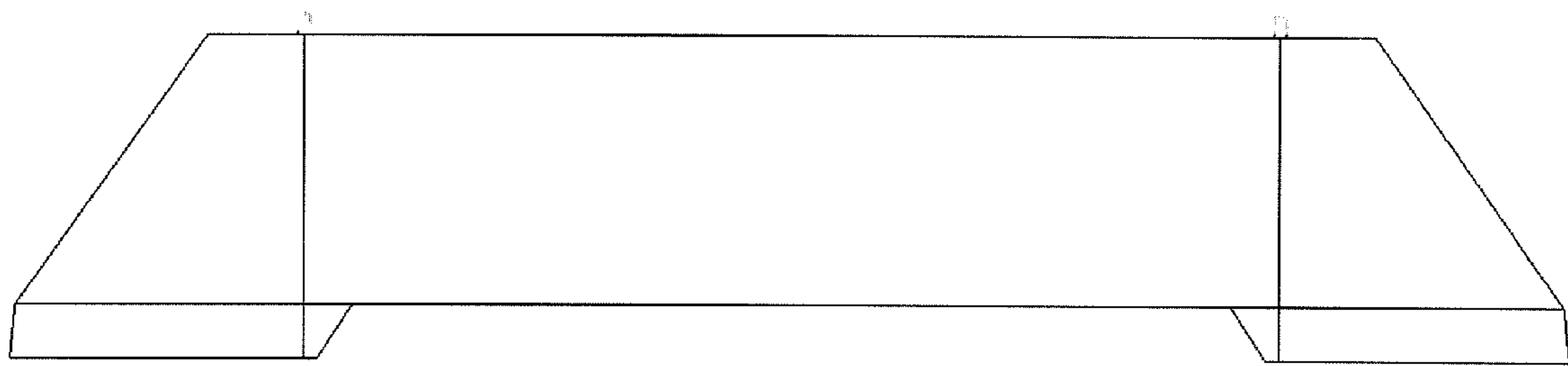


FIG. 2

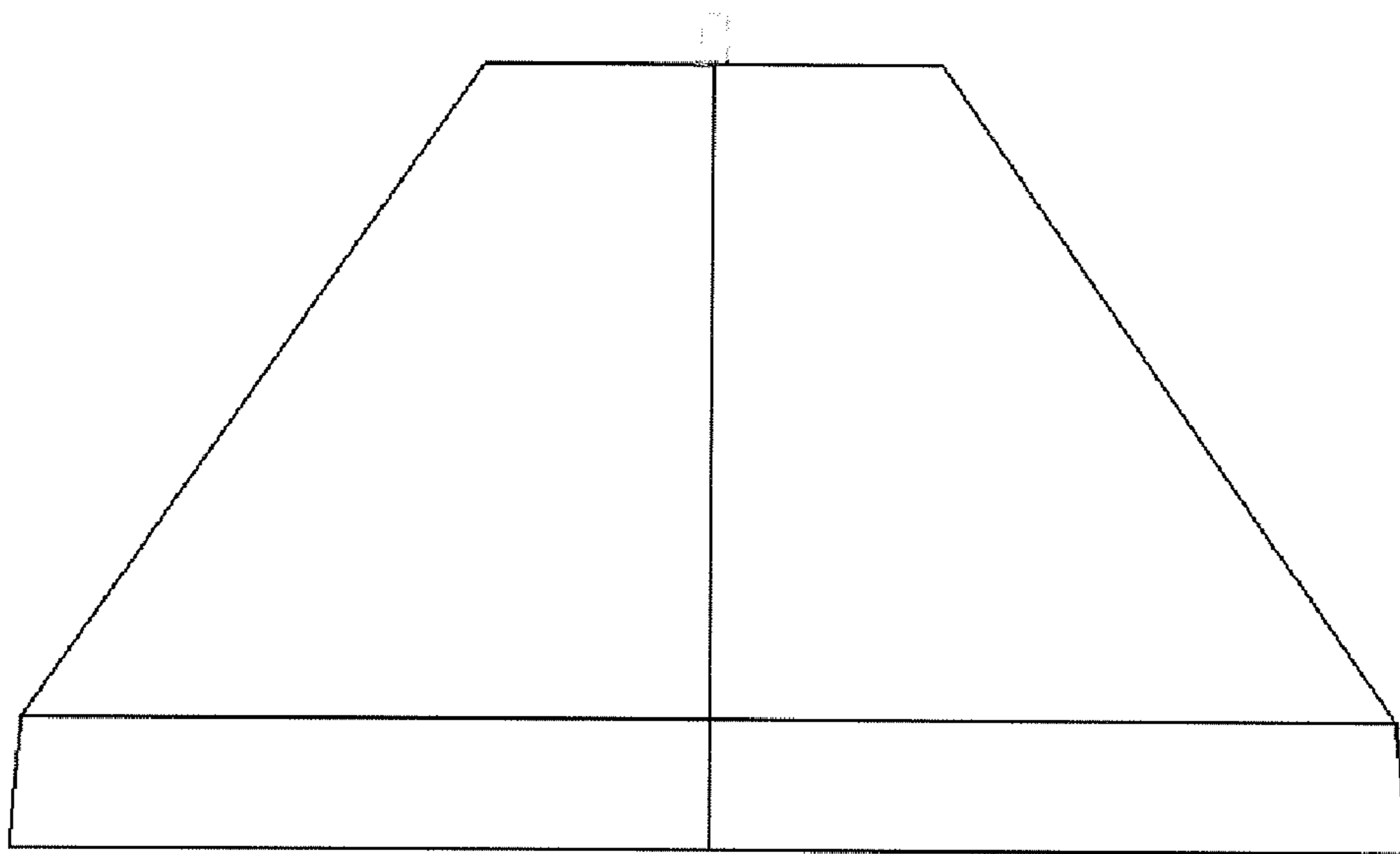


FIG. 3

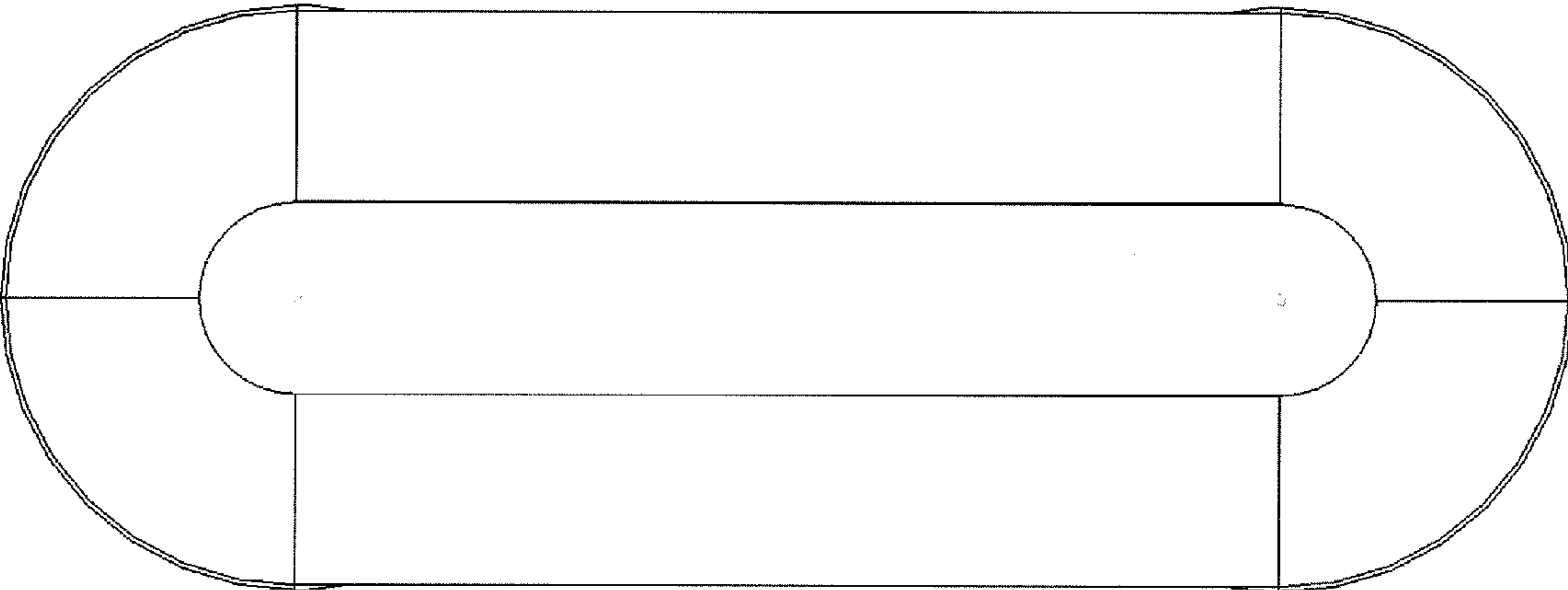


FIG. 4

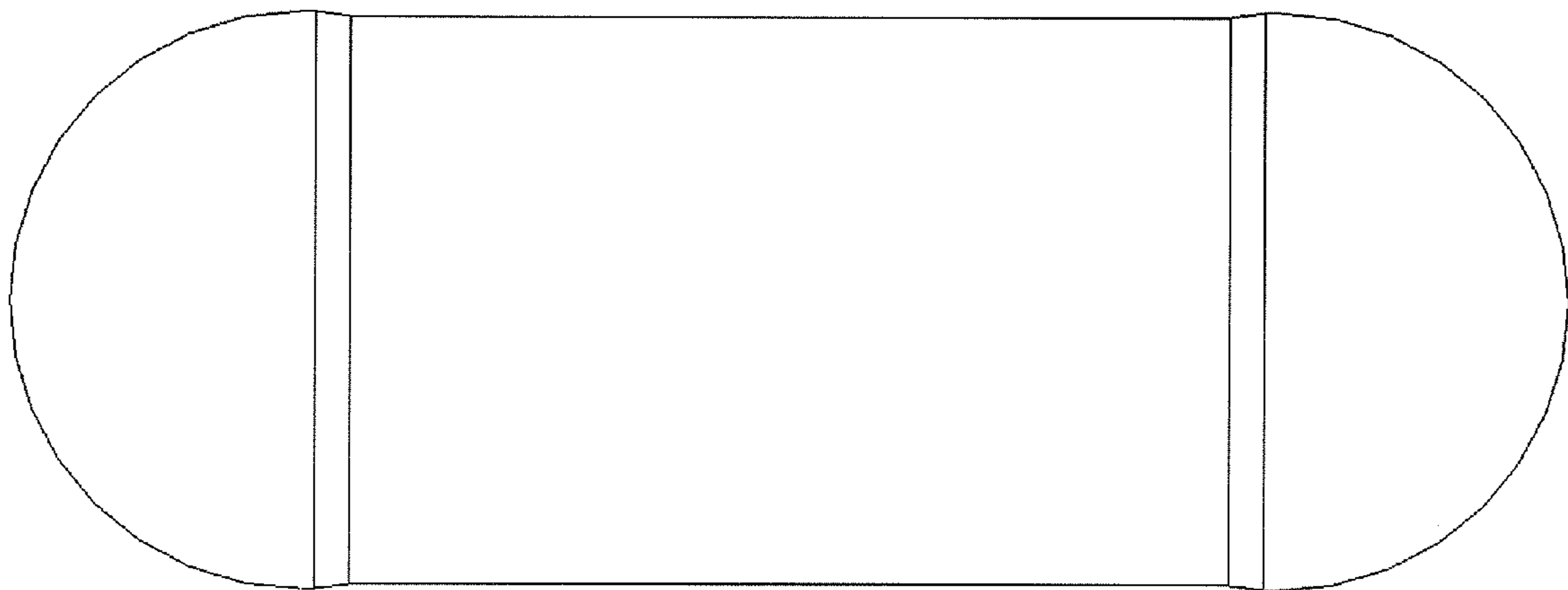


FIG. 5