

US00D562218S

(12) **United States Design Patent**
Foley et al.

(10) **Patent No.:** **US D562,218 S**
(45) **Date of Patent:** **** Feb. 19, 2008**

(54) **FORK MOUNT BICYCLE CARRIER**

4,028,915 A 6/1977 Stahl

(75) Inventors: **Aaron Foley**, Portland, OR (US); **Brian Davis**, Portland, OR (US); **Dominic M. D'Andrea**, Portland, OR (US)

(Continued)

FOREIGN PATENT DOCUMENTS

(73) Assignee: **Yakima Products, Inc.**, Beaverton, OR (US)

DE 3034750 4/1982

(Continued)

(**) Term: **14 Years**

OTHER PUBLICATIONS

(21) Appl. No.: **29/256,767**

Roof Mounted Bike Racks sold by Bike Racks Plus. [Retrieved on Mar. 20, 2007], © 2002-2005. Retrieved from the Internet <URL: http://www.bike-racks-plus.com/Roof_Mounted_Bike_Racks_y.htm>.*

(22) Filed: **Mar. 23, 2006**

(51) **LOC (8) Cl.** **12-11**

Primary Examiner—Cathron Brooks

(52) **U.S. Cl.** **D12/408**

Assistant Examiner—Linda Brooks

(58) **Field of Classification Search** D12/407,
D12/408, 412, 115, 120; 224/400, 401, 500-511,
224/522-537, 309-331, 42.11, 42.12, 42.27,
224/42.29, 924, 424; 414/462; 280/304.5,
280/202; 211/17-22

(74) *Attorney, Agent, or Firm*—Kolisich Hartwell, P.C.

See application file for complete search history.

(57) **CLAIM**

I claim the ornamental design for a fork mount bicycle carrier, as shown and described.

(56) **References Cited**

DESCRIPTION

U.S. PATENT DOCUMENTS

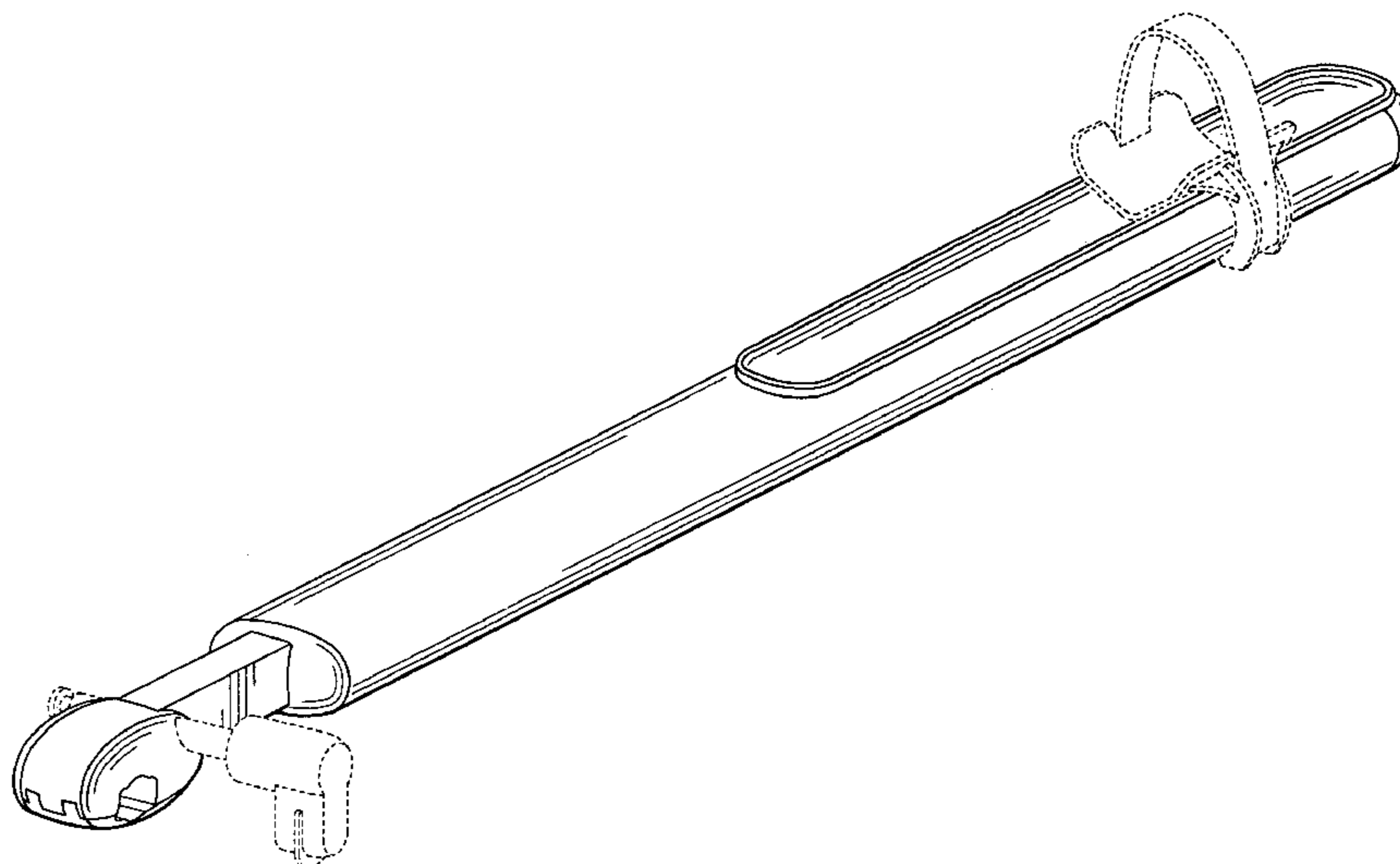
357,287 A	2/1887	Nolte
376,055 A	1/1888	Hopkins
2,271,452 A	1/1942	Carroll
2,576,222 A	11/1951	Hill
3,239,115 A	3/1966	Bott
3,258,820 A	7/1966	Steinberg
3,292,222 A	12/1966	Steinberg
3,662,435 A	5/1972	Allsop
3,668,791 A	6/1972	Salzman
3,828,993 A	8/1974	Carter
3,848,784 A	11/1974	Shimano
3,893,568 A	7/1975	Lile
3,900,923 A	8/1975	Thomas
3,906,593 A	9/1975	Caveney
3,912,139 A	10/1975	Bowman
3,922,018 A	11/1975	Shook
4,021,888 A	5/1977	Aimar

FIG. 1 is a perspective view of a fork mount bicycle carrier; FIG. 2 is a top view thereof; FIGS. 3 and 5 are side views thereof; FIG. 4 is a bottom view thereof; FIG. 6 is a front view thereof; and, FIG. 7 is a rear view thereof.

The shading lines shown in the drawing(s) represent the three-dimensional contour of the design, and are not intended to indicate surface decoration.

The broken lines immediately adjacent the shaded areas represent boundaries of the claimed design and form no part thereof, while the other broken lines show environmental elements which form no part of the claimed design.

1 Claim, 2 Drawing Sheets



US D562,218 S

Page 2

U.S. PATENT DOCUMENTS

4,057,182	A	11/1977	Kolkhurst	5,203,484	A	4/1993	Englander
4,057,183	A	11/1977	Ness	5,226,341	A	7/1993	Shores
4,114,409	A	9/1978	Scire	5,232,134	A	8/1993	Allen
4,193,171	A	3/1980	Lichowsky	5,275,319	A	1/1994	Ruana
4,274,569	A	6/1981	Winter	5,288,001	A	2/1994	Locarno
4,310,951	A	1/1982	Riedel	5,291,763	A	3/1994	Cuisinot
4,326,320	A	4/1982	Riedel	5,316,192	A	5/1994	Ng
4,386,709	A	6/1983	Graber	5,357,690	A	10/1994	Ho
4,400,038	A	8/1983	Hosokawa	5,362,173	A	11/1994	Ng
4,424,636	A	1/1984	Everest	5,377,886	A	1/1995	Sickler
4,433,786	A	2/1984	Wahl	5,416,952	A	5/1995	Dodge
4,442,961	A	4/1984	Bott	5,419,479	A	5/1995	Evels
4,453,290	A	6/1984	Riedel	5,426,826	A	6/1995	Takimoto
4,501,354	A	2/1985	Hoffman	5,492,258	A	2/1996	Brunner
4,547,980	A	10/1985	Olivieri	5,511,894	A	4/1996	Ng
4,553,292	A	11/1985	Pradier	5,526,555	A	6/1996	Battistella
4,555,830	A	12/1985	Petrini	5,570,825	A	11/1996	Cona
4,596,080	A	6/1986	Benoit	5,573,165	A	11/1996	Bloemer
4,614,047	A	9/1986	Arieh	5,598,959	A	2/1997	Lorensen
4,619,122	A	10/1986	Simpson	5,624,063	A	4/1997	Ireland
4,621,873	A	11/1986	Weinstein	5,690,259	A	11/1997	Montani
4,624,063	A	11/1986	Delery	5,692,659	A	12/1997	Reeves
4,629,104	A	12/1986	Jacquet	5,709,521	A	1/1998	Glass
4,646,401	A	3/1987	Morell	5,730,343	A	3/1998	Settelmayer
4,670,946	A	6/1987	Olivieri	5,738,258	A	4/1998	Farrow
4,683,620	A	8/1987	Valsecchi	5,745,959	A	5/1998	Dodge
4,724,692	A	2/1988	Turin	5,752,298	A	5/1998	Howell
4,727,630	A	3/1988	Alan	5,762,248	A	6/1998	Englander
4,759,137	A	7/1988	Lederer	5,775,555	A	7/1998	Bloemer
4,761,859	A	8/1988	Calabrigo	5,820,002	A	10/1998	Allen
4,763,957	A	8/1988	Poehlmann	5,833,074	A	11/1998	Phillips
4,770,011	A	9/1988	Constant	5,862,964	A	1/1999	Moliner
4,789,206	A	12/1988	Ozaki	5,875,947	A	3/1999	Noel
4,796,337	A	1/1989	Marxer	5,924,614	A	7/1999	Kuntze
4,842,148	A	6/1989	Bowman	5,988,402	A	11/1999	Mayfield
4,887,754	A	12/1989	Boyer	6,062,450	A	5/2000	Noel
4,912,817	A	4/1990	Sand Reid	6,167,735	B1	1/2001	Brown
4,934,572	A	6/1990	Bowman	6,425,509	B1	7/2002	Dean
4,951,487	A	8/1990	Sheils Dennis	6,494,351	B1	12/2002	Dean
4,964,287	A	10/1990	Gaul	6,851,590	B2	2/2005	Dean
5,003,711	A	4/1991	Nerrinck	6,938,782	B2	9/2005	Dean
5,005,390	A	4/1991	Giannini	2002/0026816	A1	3/2002	Katsouros
5,007,260	A	4/1991	Sharp				
5,022,672	A	6/1991	Kawai				
5,027,628	A	7/1991	De Rocher				
5,037,019	A	8/1991	Sokn				
5,042,705	A	8/1991	Johansson				
5,052,605	A	10/1991	Johansson				
5,065,921	A	11/1991	Mobley				
5,083,350	A	1/1992	Sandried				
5,118,125	A	6/1992	Plunkett				
5,135,330	A	8/1992	Chen				
5,165,762	A	11/1992	Phillips				
5,169,044	A	12/1992	Englander				
5,172,454	A	12/1992	Martignago				
5,193,254	A	3/1993	Geisinger				

FOREIGN PATENT DOCUMENTS

DE	4208064	5/1993
EP	0161441	11/1985
EP	0220784	5/1987
EP	0224288	6/1987
FR	2221329	10/1974
FR	2251187	11/1974
FR	2332155	6/1977
FR	2420454	10/1979
FR	2428545	1/1980
IT	1189908	2/1988
IT	1236808	4/1993

* cited by examiner

