

US00D562214S

(12) **United States Design Patent**
Norman

(10) **Patent No.:** **US D562,214 S**
(45) **Date of Patent:** **** Feb. 19, 2008**

(54) **UNIVERSAL PROPELLER GUARD**

(74) *Attorney, Agent, or Firm*—Kunzler & McKenzie

(75) Inventor: **George Norman**, Bradenton, FL (US)

(57) **CLAIM**

(73) Assignee: **Enviroprop Corporation**, Sarasota, FL (US)

The ornamental design for a universal propeller guard, as shown and described.

(**) Term: **14 Years**

DESCRIPTION

(21) Appl. No.: **29/237,196**

FIG. 1 is an aft elevation view of the universal propeller guard, showing my new design;

(22) Filed: **Aug. 20, 2005**

FIG. 2 is a fore elevation view of the universal propeller guard;

(51) **LOC (8) Cl.** **12-16**

(52) **U.S. Cl.** **D12/214**

(58) **Field of Classification Search** D12/214;
440/72, 71

FIG. 3 is a left side elevation view of the universal propeller guard;

See application file for complete search history.

FIG. 4 is a right side elevation view of the universal propeller guard;

(56) **References Cited**

U.S. PATENT DOCUMENTS

6,478,640 B1 * 11/2002 Raps 440/72

D536,296 S * 2/2007 Norman D12/214

D537,028 S * 2/2007 Norman D12/214

FIG. 5 is an enlarged top plan view of the universal propeller guard;

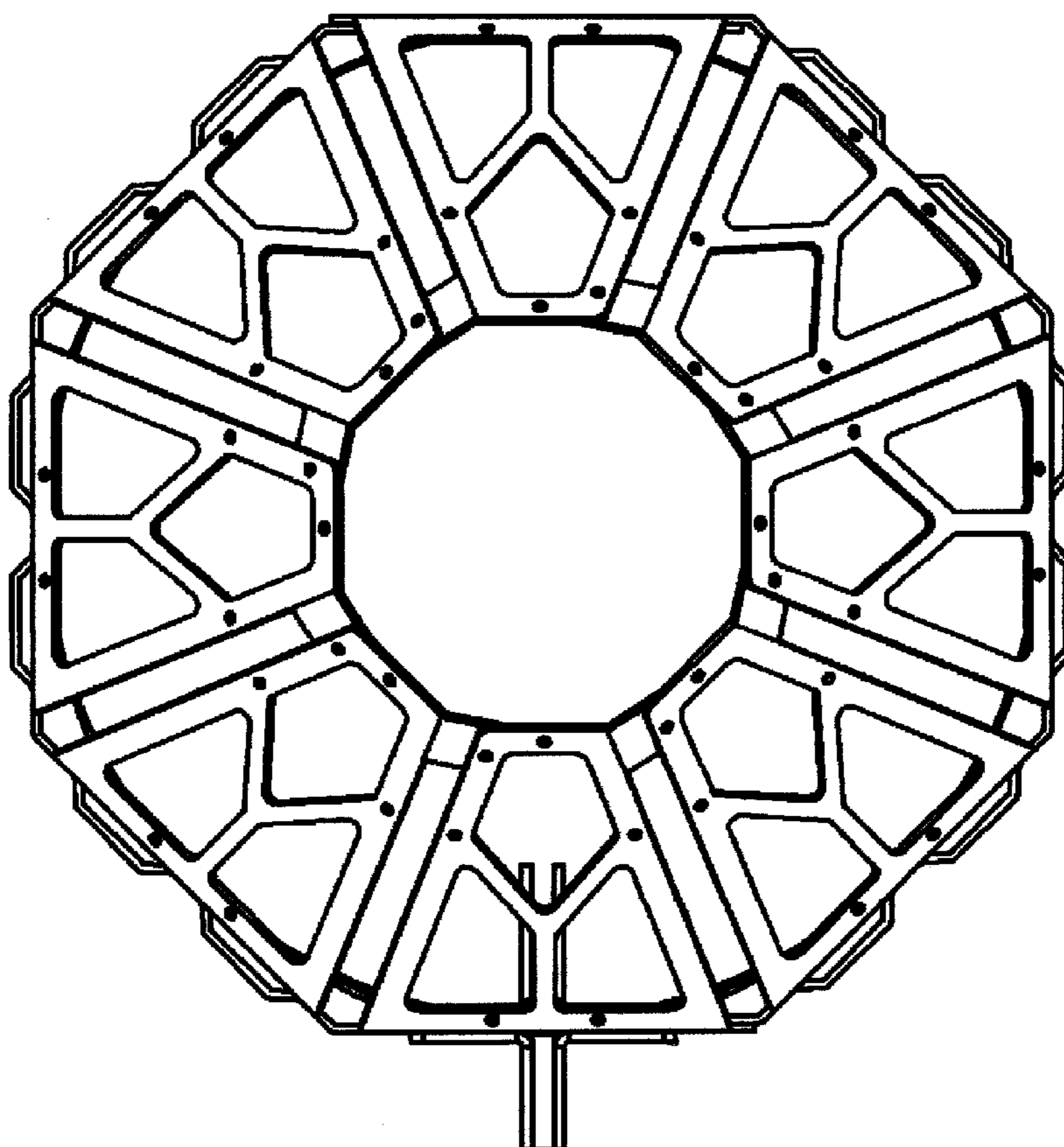
FIG. 6 is an enlarged bottom plan view of the universal propeller guard; and,

* cited by examiner

FIG. 7 is a reduced fore perspective view of the universal propeller guard.

Primary Examiner—Lisa Lichtenstein

1 Claim, 7 Drawing Sheets



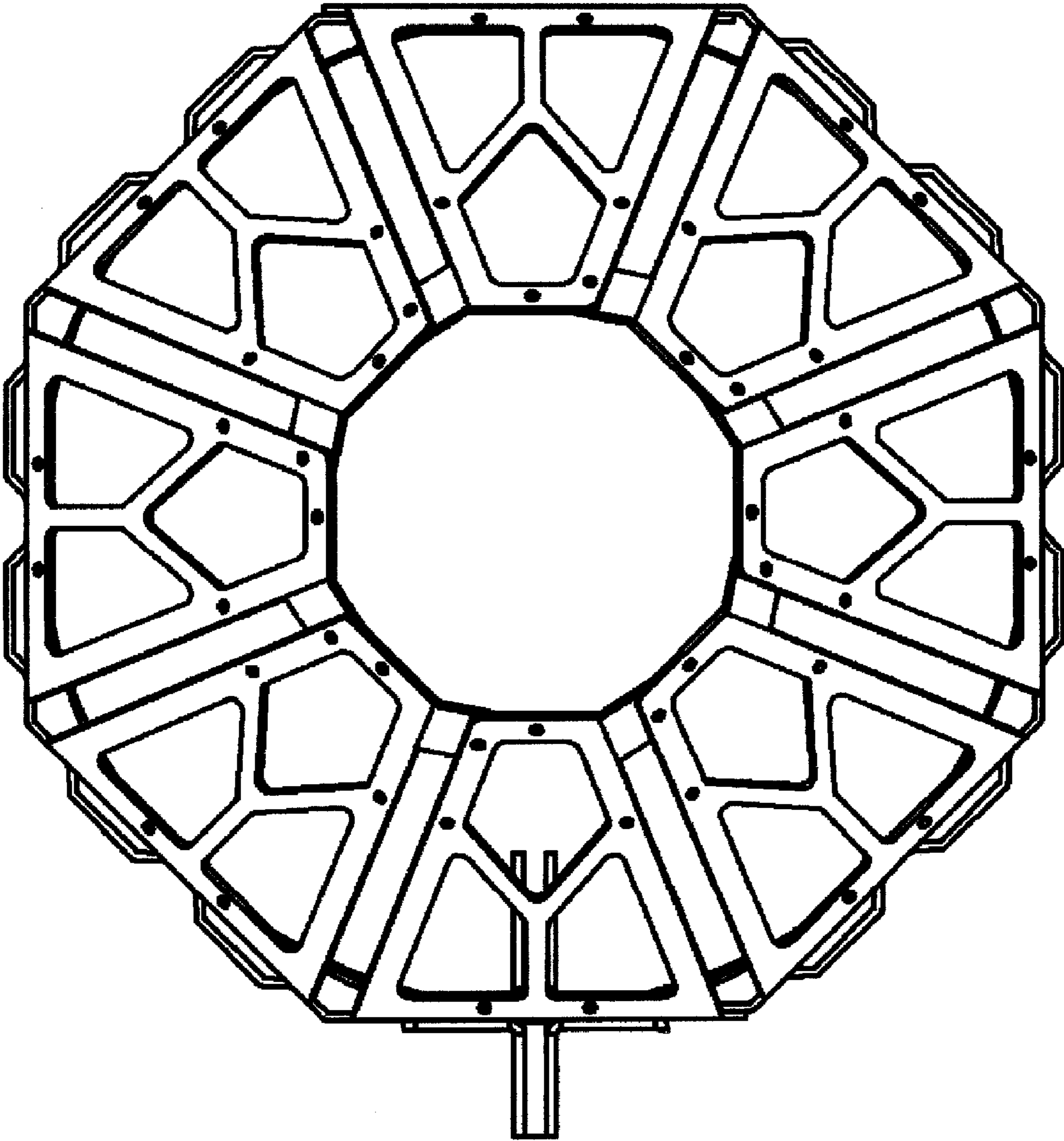


FIG. 1

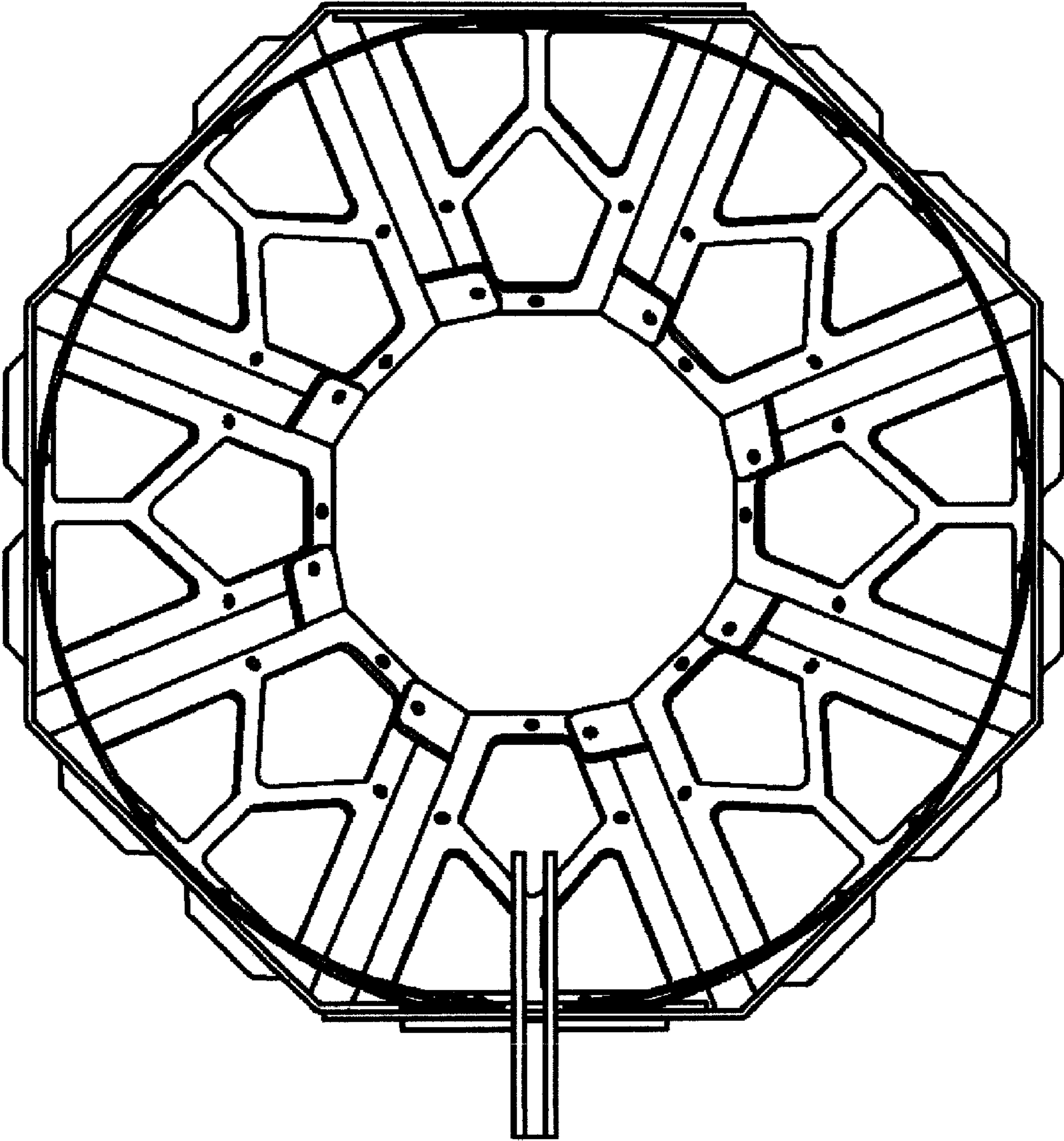


FIG. 2

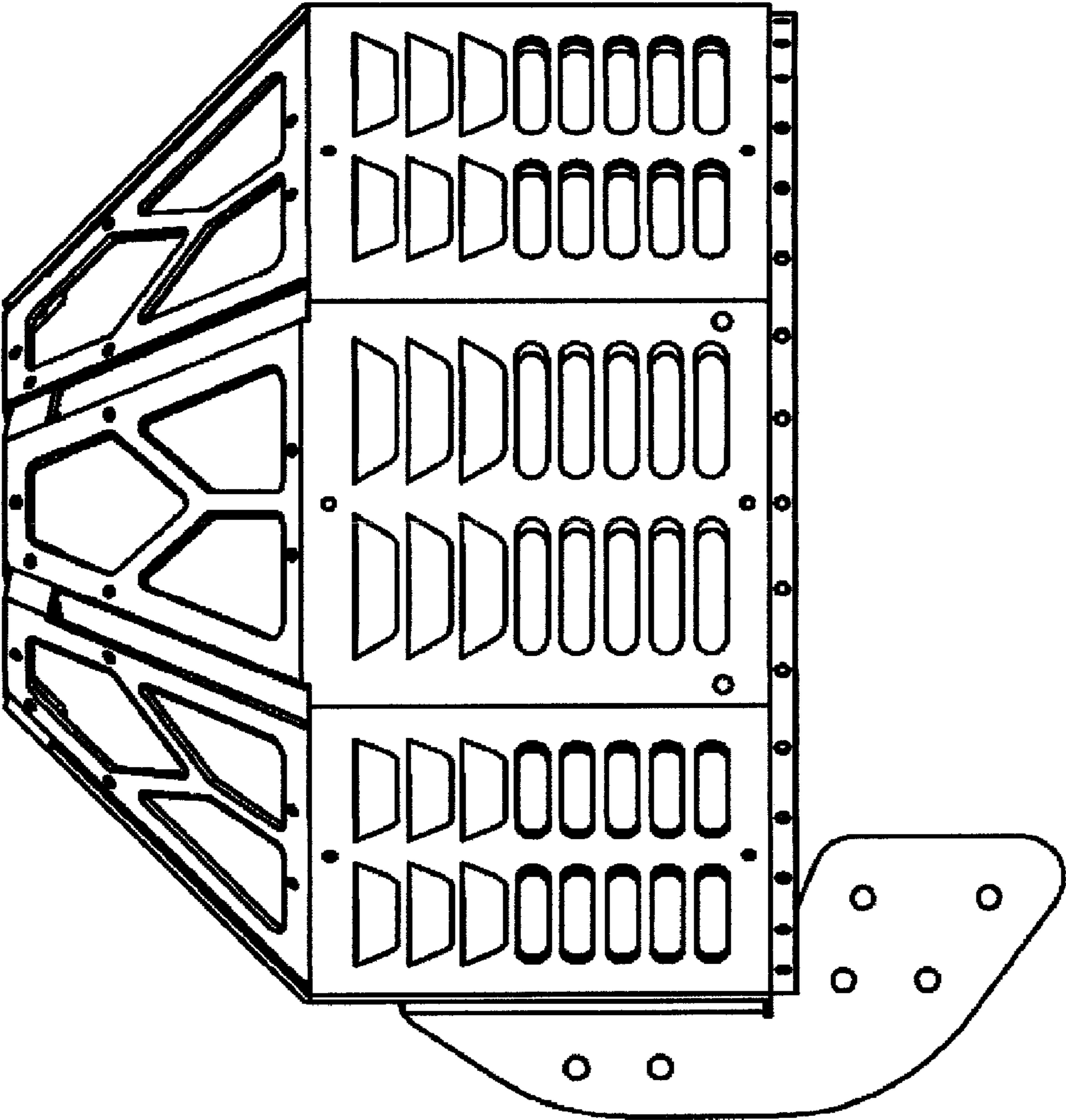


FIG. 3

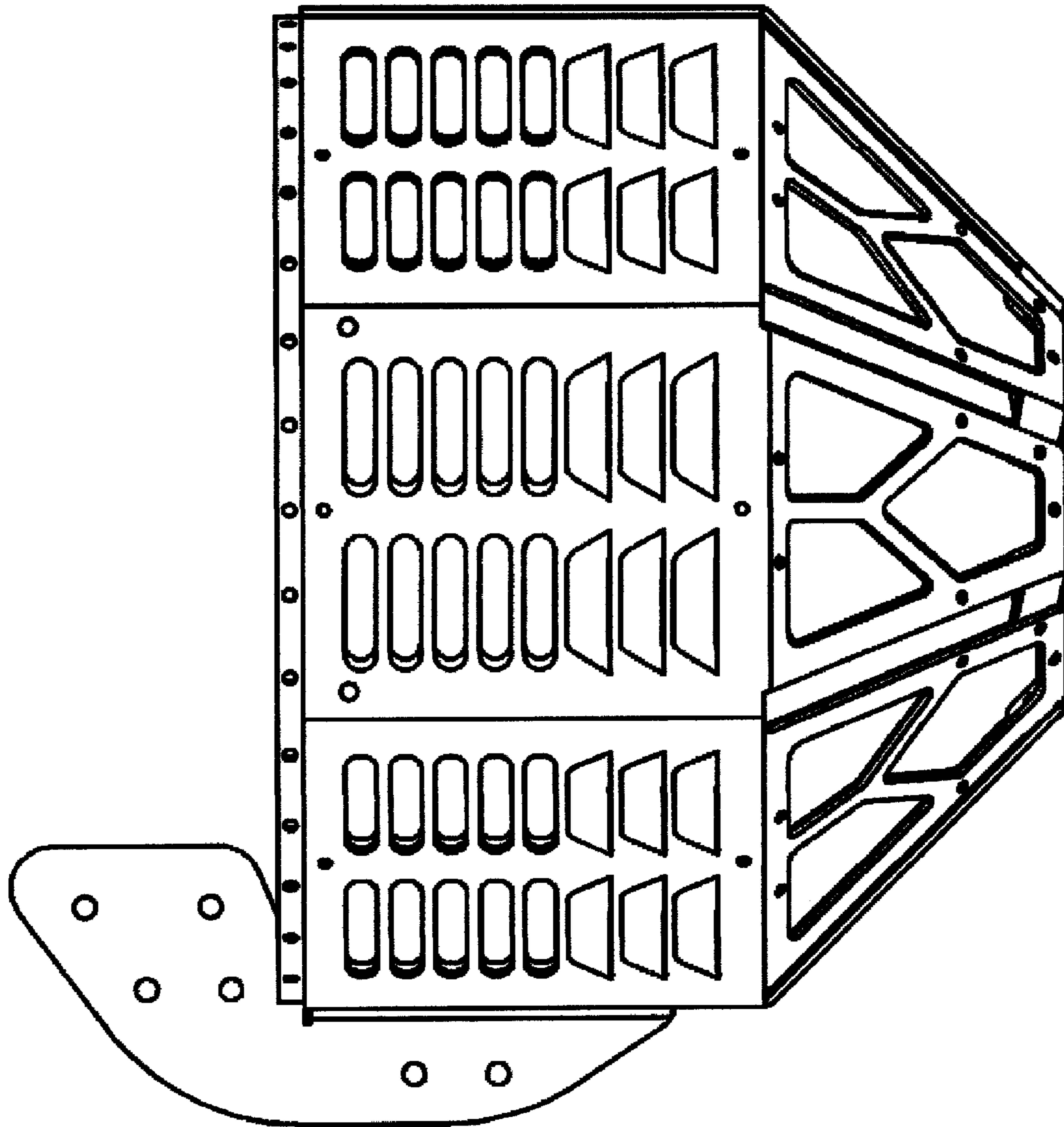


FIG. 4

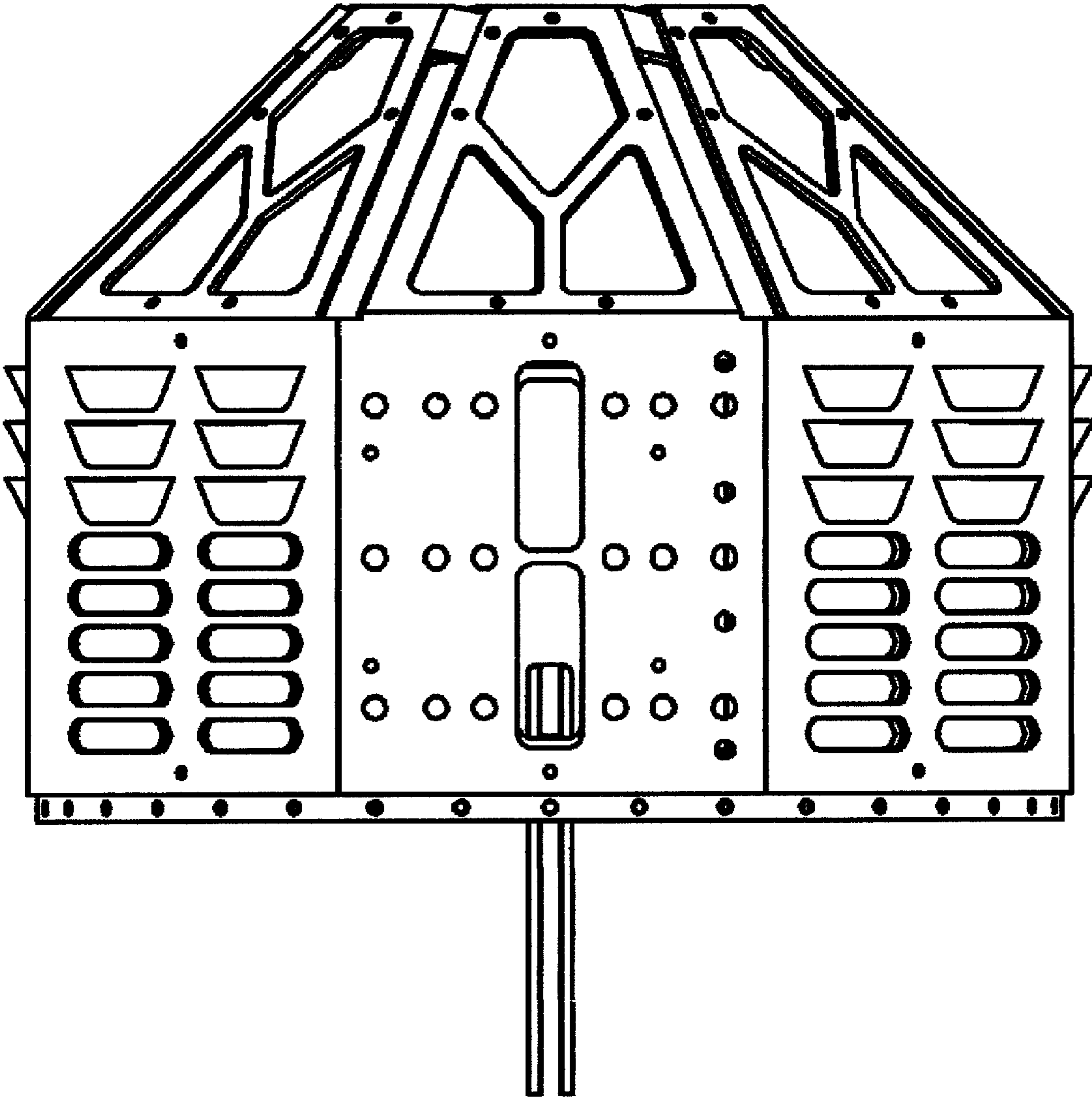


FIG. 5

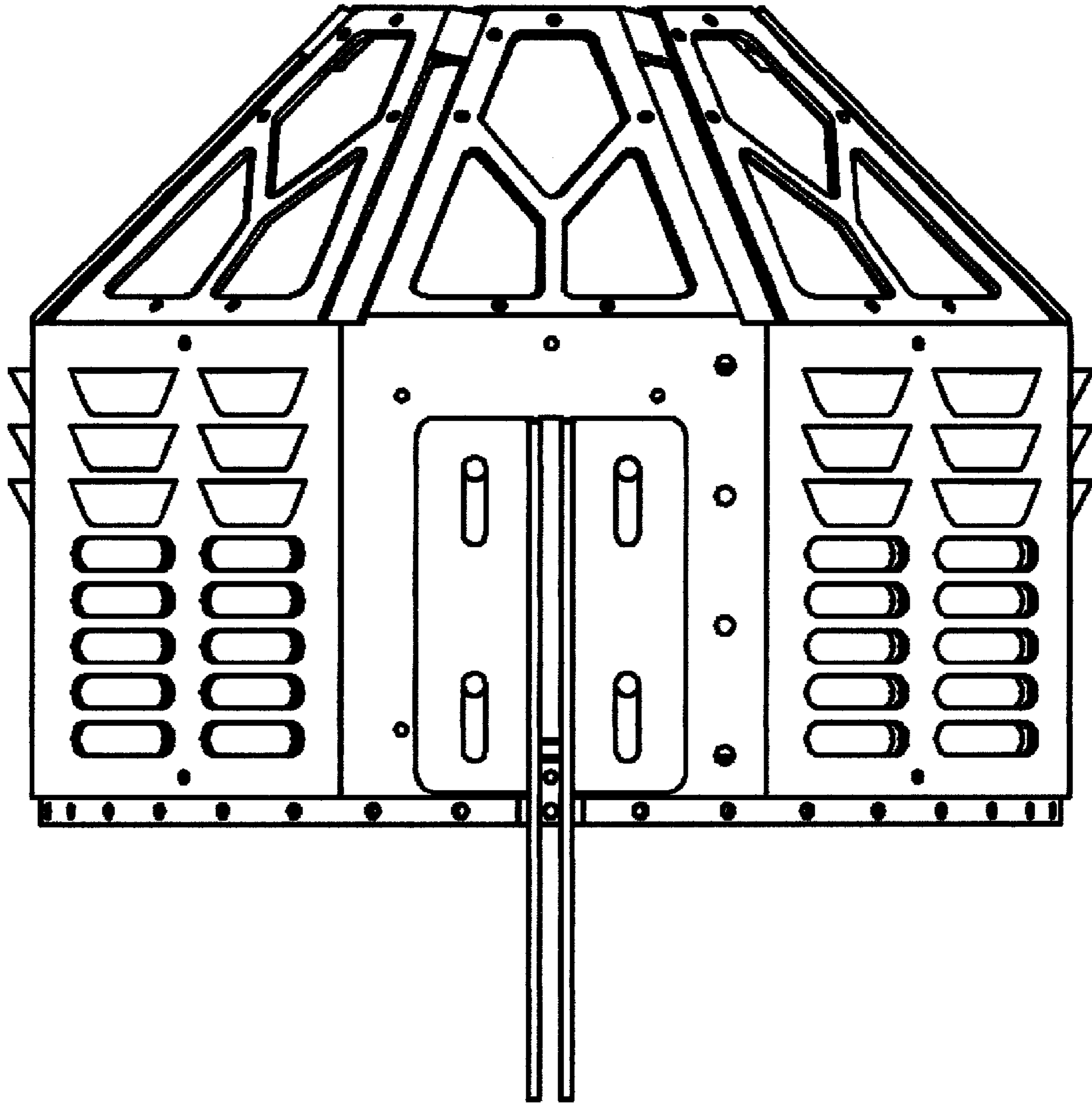


FIG. 6

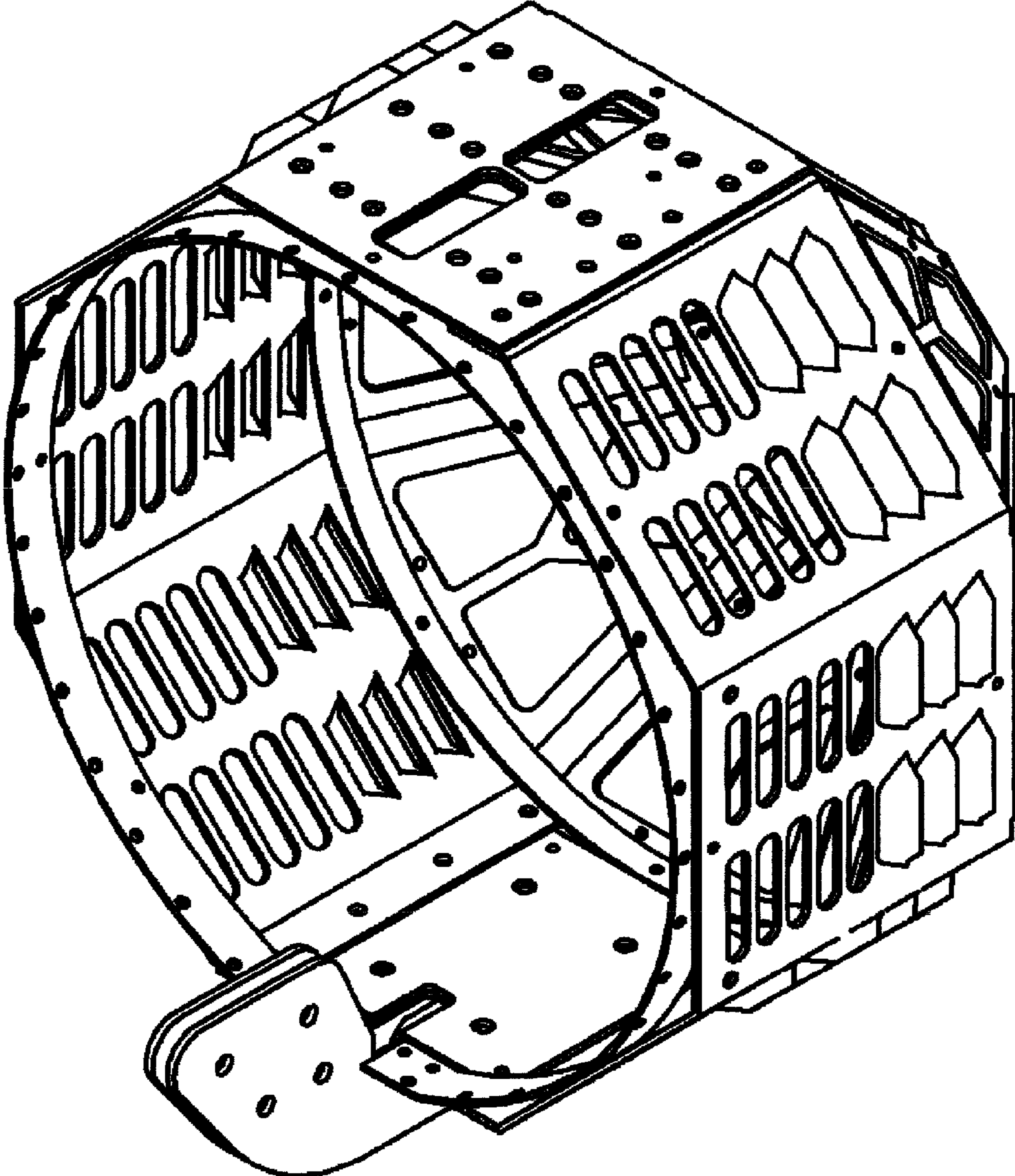


FIG. 7