



US00D562213S

(12) **United States Design Patent**
Norman

(10) **Patent No.:** **US D562,213 S**
(45) **Date of Patent:** **** Feb. 19, 2008**

(54) **PROPELLER GUARD**

(75) Inventor: **George Norman**, Bradenton, FL (US)

(73) Assignee: **Envirprop Corporation**, Sarasota, FL (US)

(**) Term: **14 Years**

(21) Appl. No.: **29/236,642**

(22) Filed: **Aug. 20, 2005**

(51) **LOC (8) Cl.** **12-16**

(52) **U.S. Cl.** **D12/214**

(58) **Field of Classification Search** D12/214;
440/72, 71

See application file for complete search history.

(56) **References Cited**

U.S. PATENT DOCUMENTS

6,478,640 B1 * 11/2002 Raps 440/72
D536,296 S * 2/2007 Norman D12/214
D537,028 S * 2/2007 Norman D12/214

* cited by examiner

Primary Examiner—Lisa Lichtenstein
(74) *Attorney, Agent, or Firm*—Kunzler & McKenzie

(57) **CLAIM**

The ornamental design for a propeller guard, as shown and described.

DESCRIPTION

FIG. 1 is an aft elevation view of the universal propeller guard, showing my new design;

FIG. 2 is a fore elevation view thereof;

FIG. 3 is a reduced left side elevation view thereof;

FIG. 4 is a slightly reduced right side elevation view thereof;

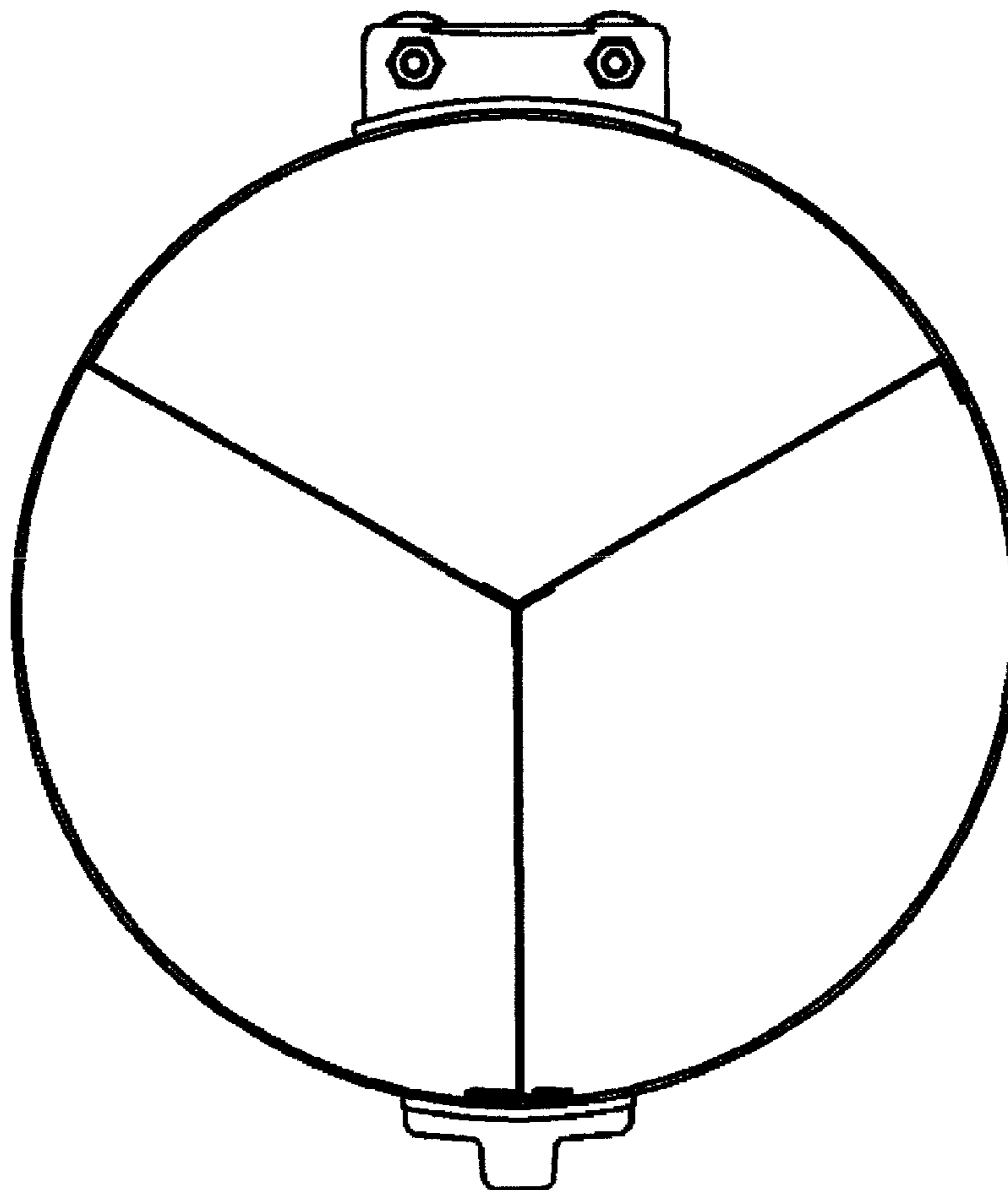
FIG. 5 is a greatly reduced top plan view thereof;

FIG. 6 is a greatly reduced bottom plan view thereof; and,

FIG. 7 is a reduced aft perspective view thereof.

The broken line showing of portions of the propeller guard is included for the purpose of illustrating environmental structure and forms no part of the claimed design.

1 Claim, 7 Drawing Sheets



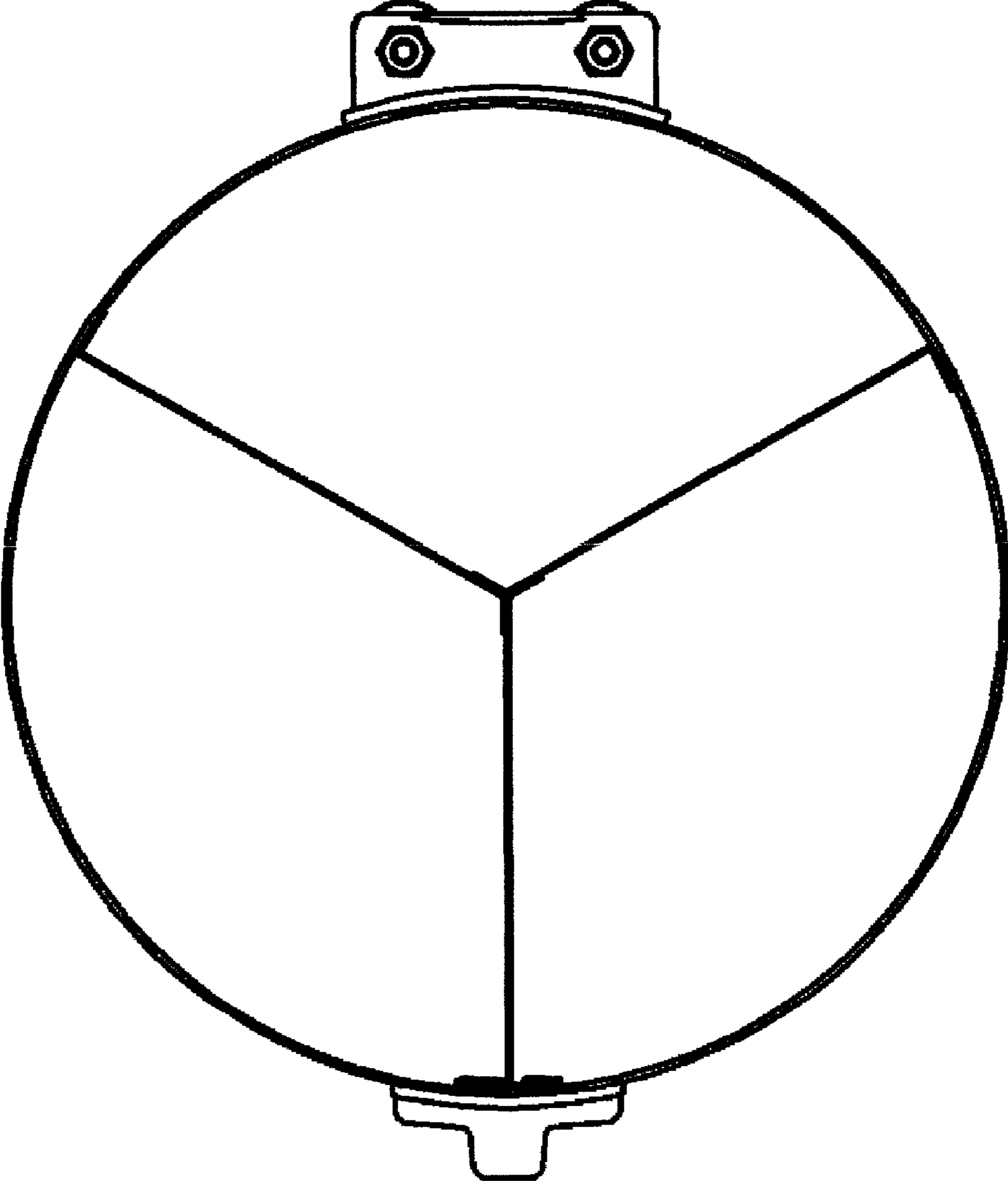


FIG. 1

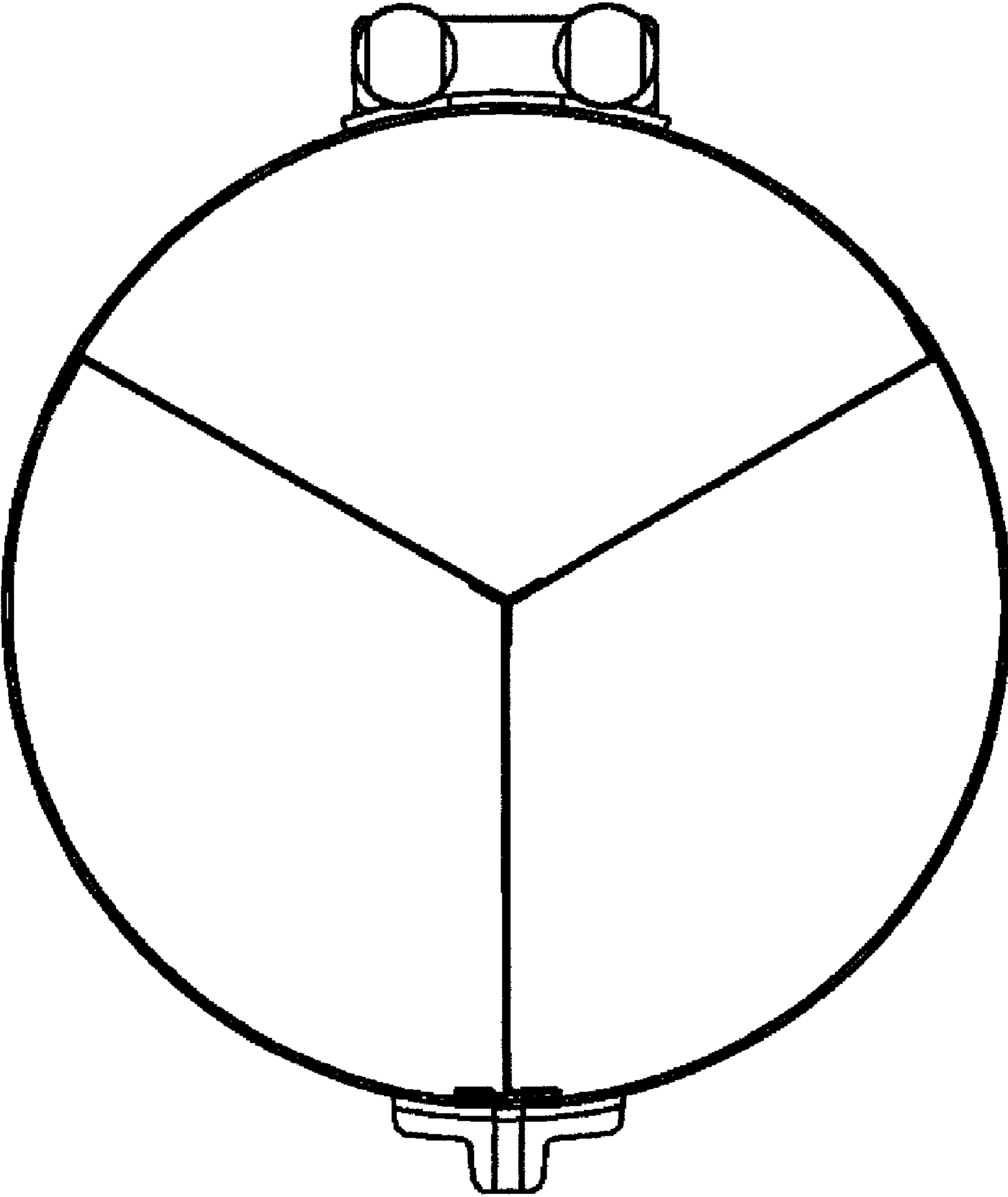


FIG. 2

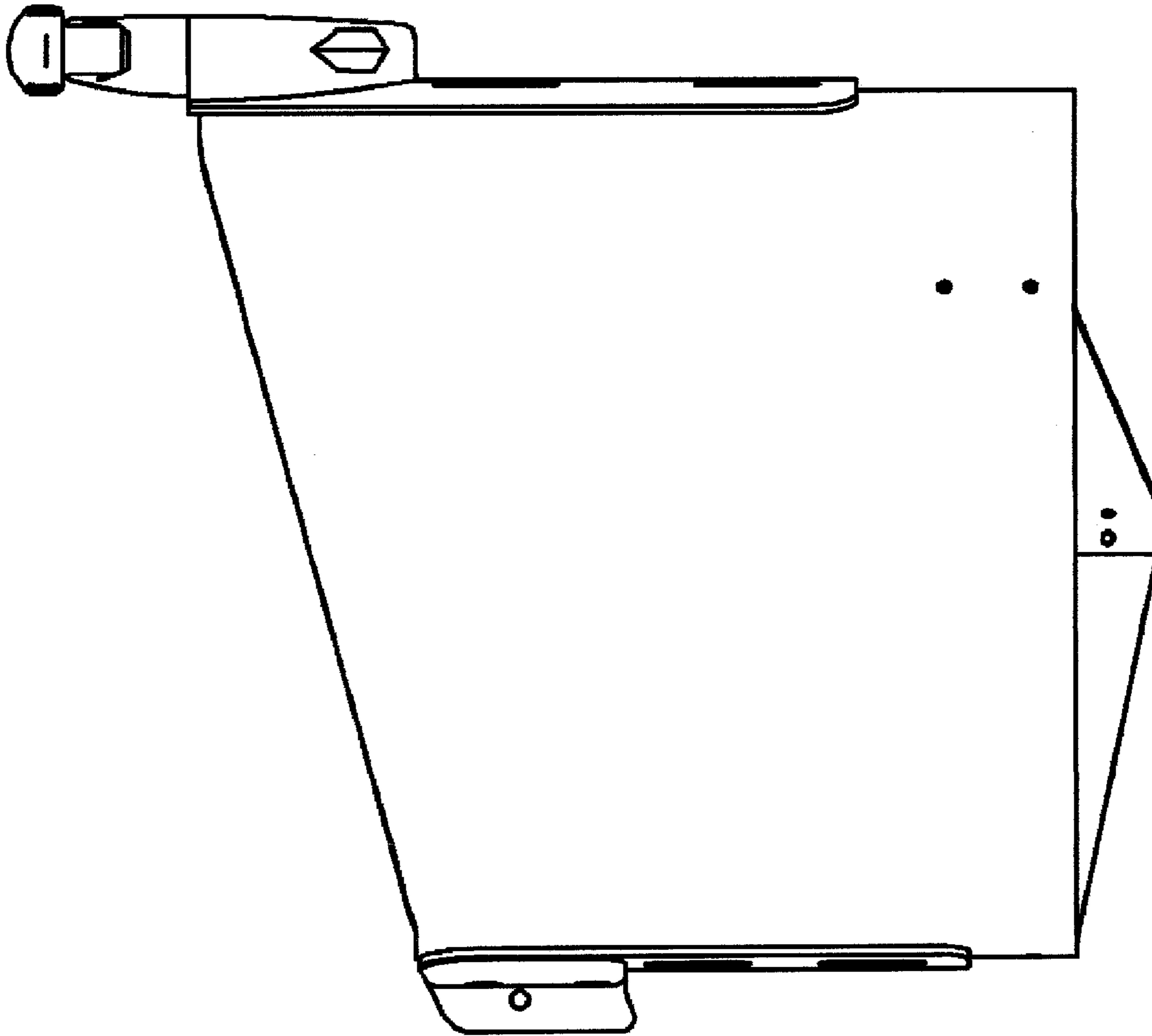


FIG. 3

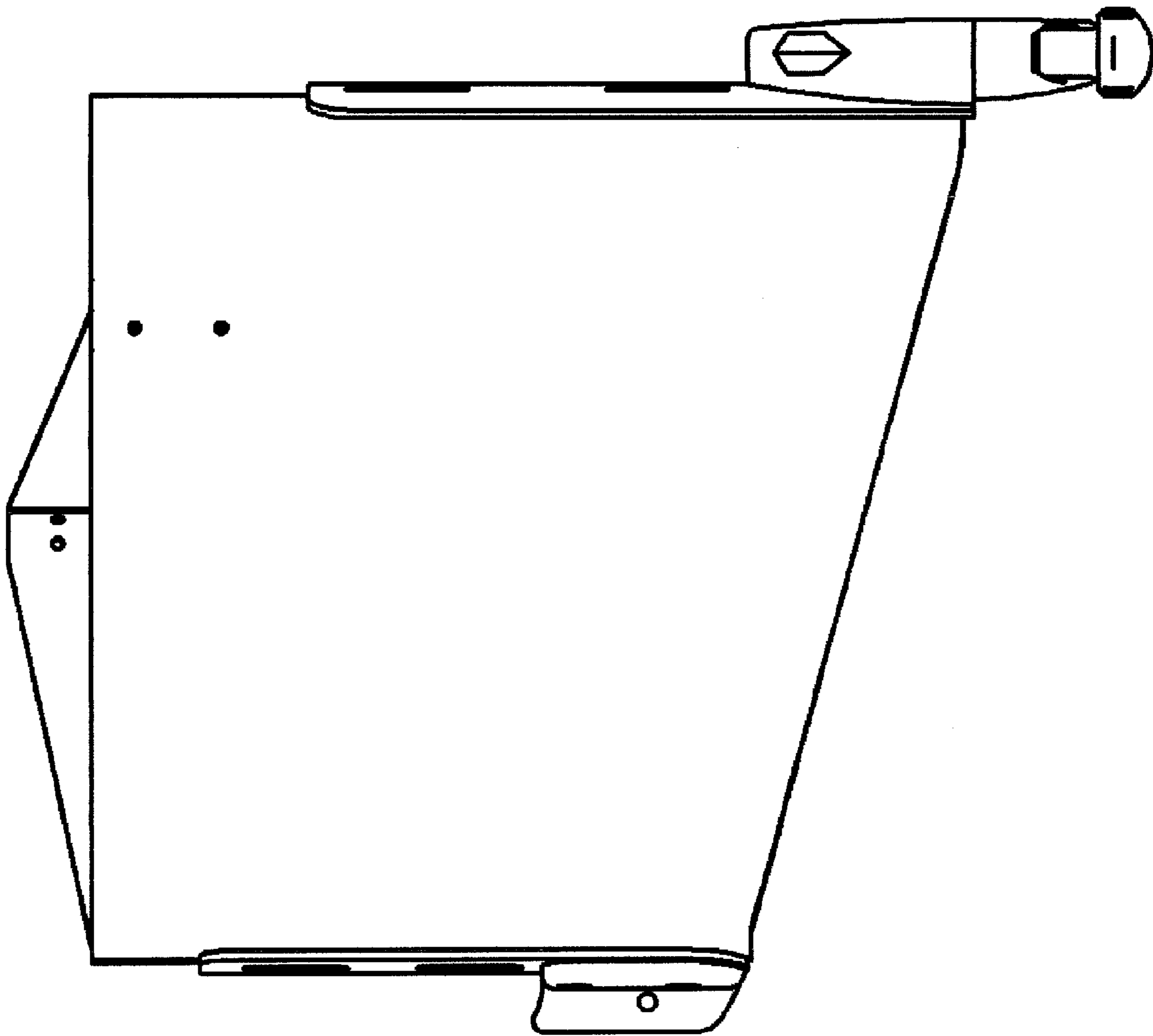


FIG. 4

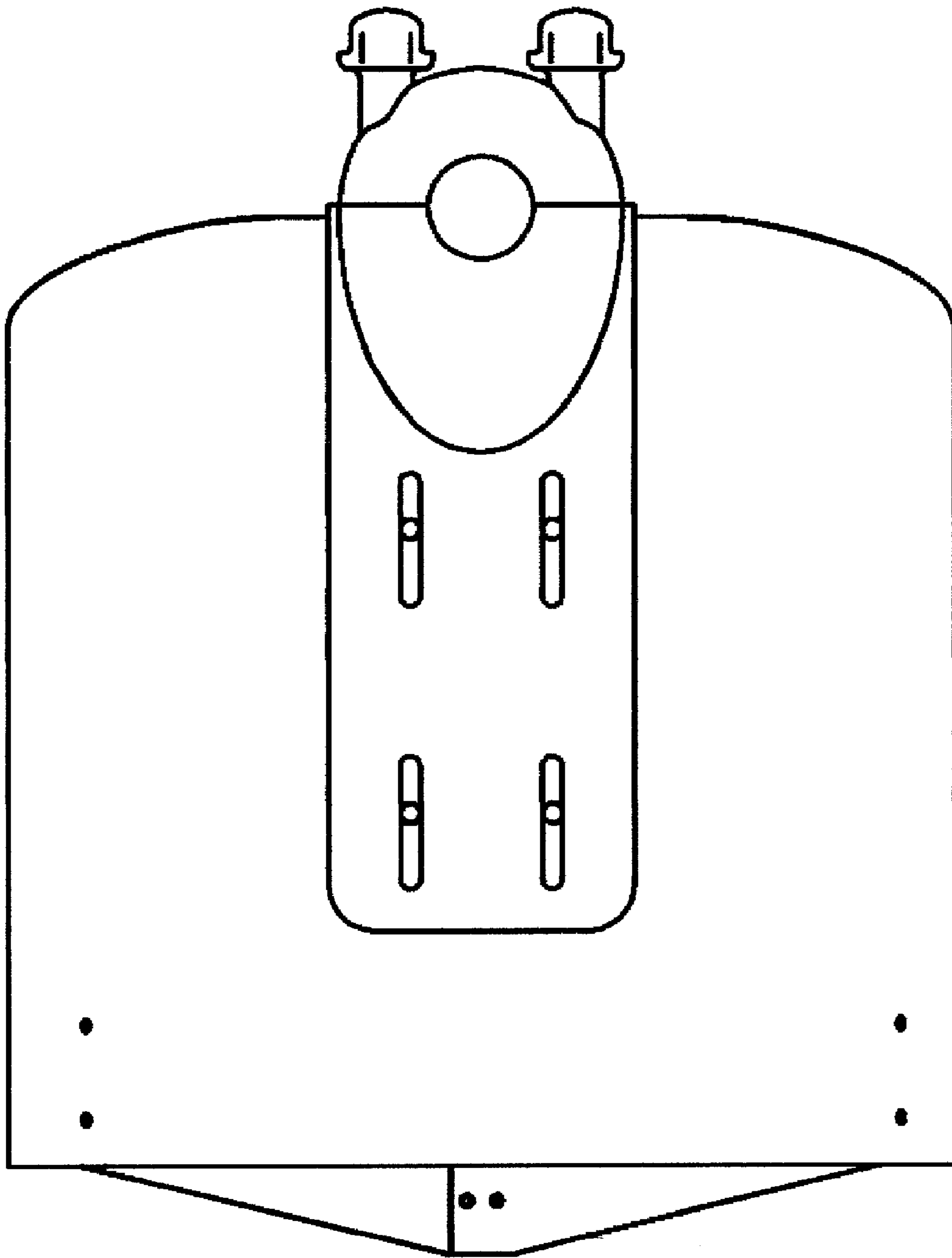


FIG. 5

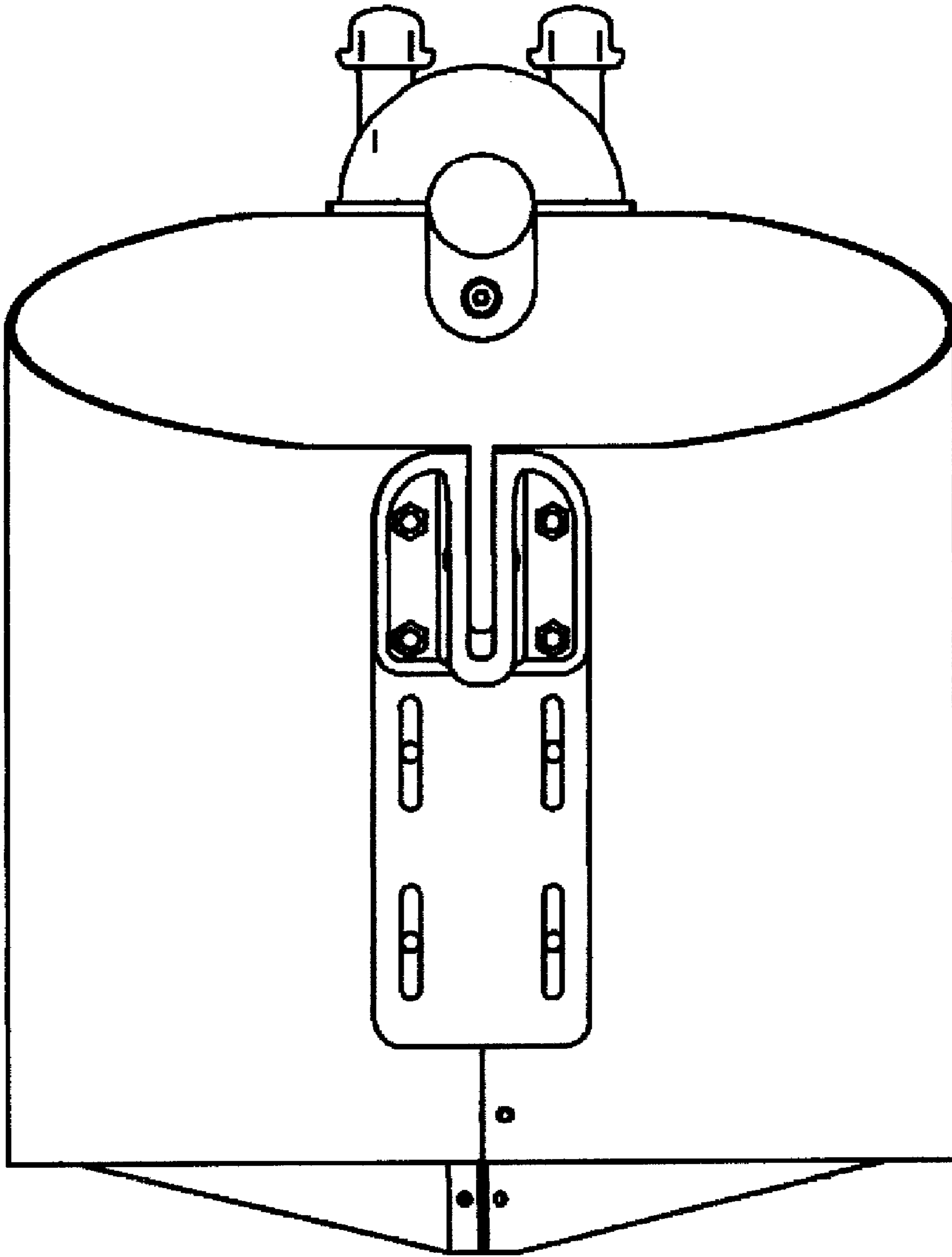


FIG. 6

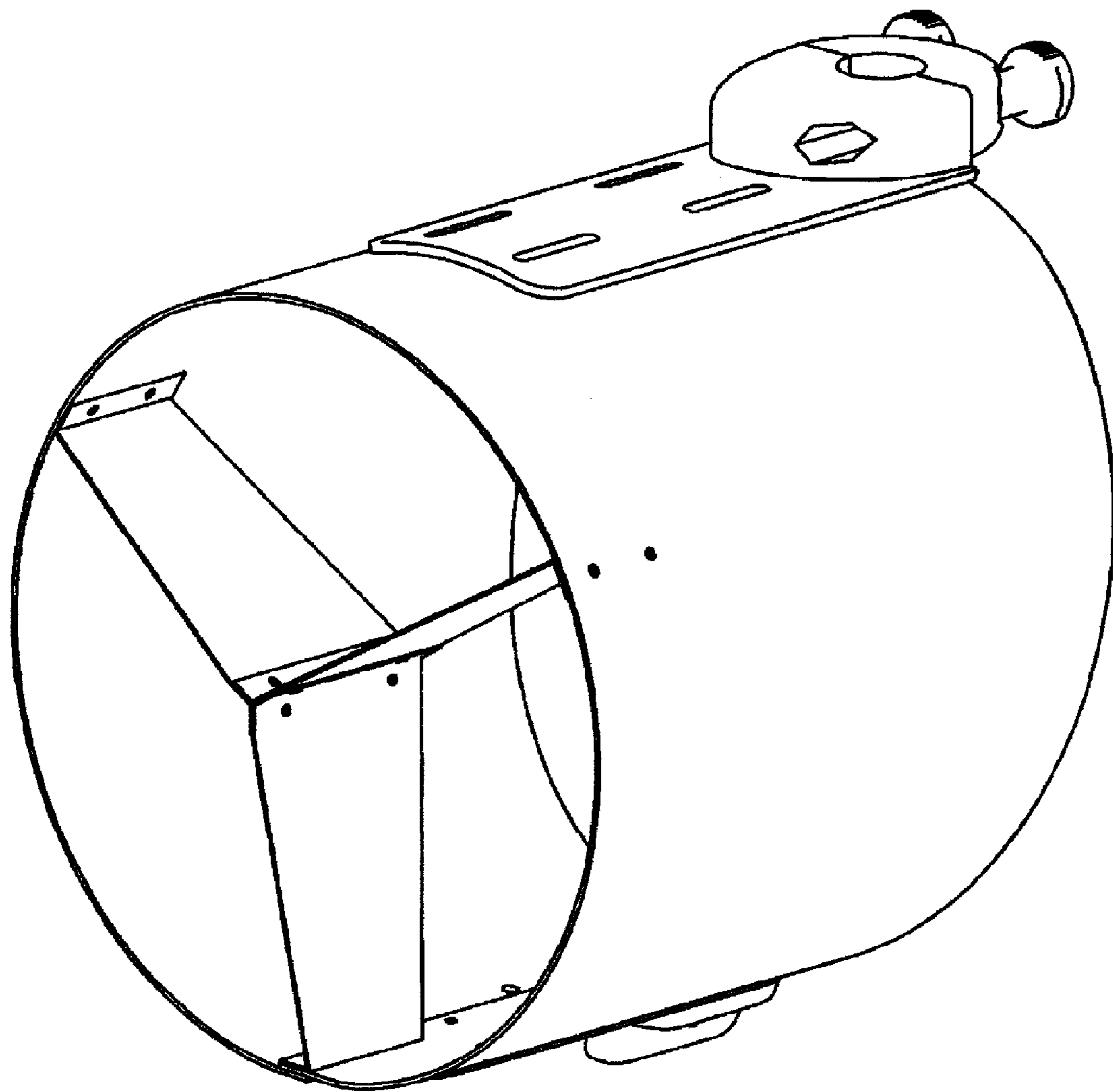


FIG. 7