

US00D562209S

(12) **United States Design Patent**
Norman et al.

(10) **Patent No.: US D562,209 S**

(45) **Date of Patent: ** Feb. 19, 2008**

(54) **PROPELLER GUARD BUMPER GUARD RAIL**

D536,296 S * 2/2007 Norman D12/214
D537,028 S * 2/2007 Norman D12/214

(75) Inventors: **George Norman**, Bradenton, FL (US);
Thomas Peterson, Taylorsville, UT (US)

* cited by examiner

Primary Examiner—Lisa Lichtenstein
(74) *Attorney, Agent, or Firm*—Kunzler & McKenzie

(73) Assignee: **Enviroprop Corporation**, Sarasota, FL (US)

(57) **CLAIM**

(**) Term: **14 Years**

The ornamental design for a propeller guard bumper guard rail, as shown and described.

(21) Appl. No.: **29/232,942**

DESCRIPTION

(22) Filed: **Jun. 25, 2005**

FIG. 1 is an aft perspective view of the propeller guard bumper guard rail, showing our new design;

(51) **LOC (8) Cl.** **12-16**

(52) **U.S. Cl.** **D12/214**

FIG. 2 is a fore elevation view thereof;

(58) **Field of Classification Search** D12/214;

FIG. 3 is a side elevation view thereof;

440/72, 71

FIG. 4 top plan view thereof; and,

See application file for complete search history.

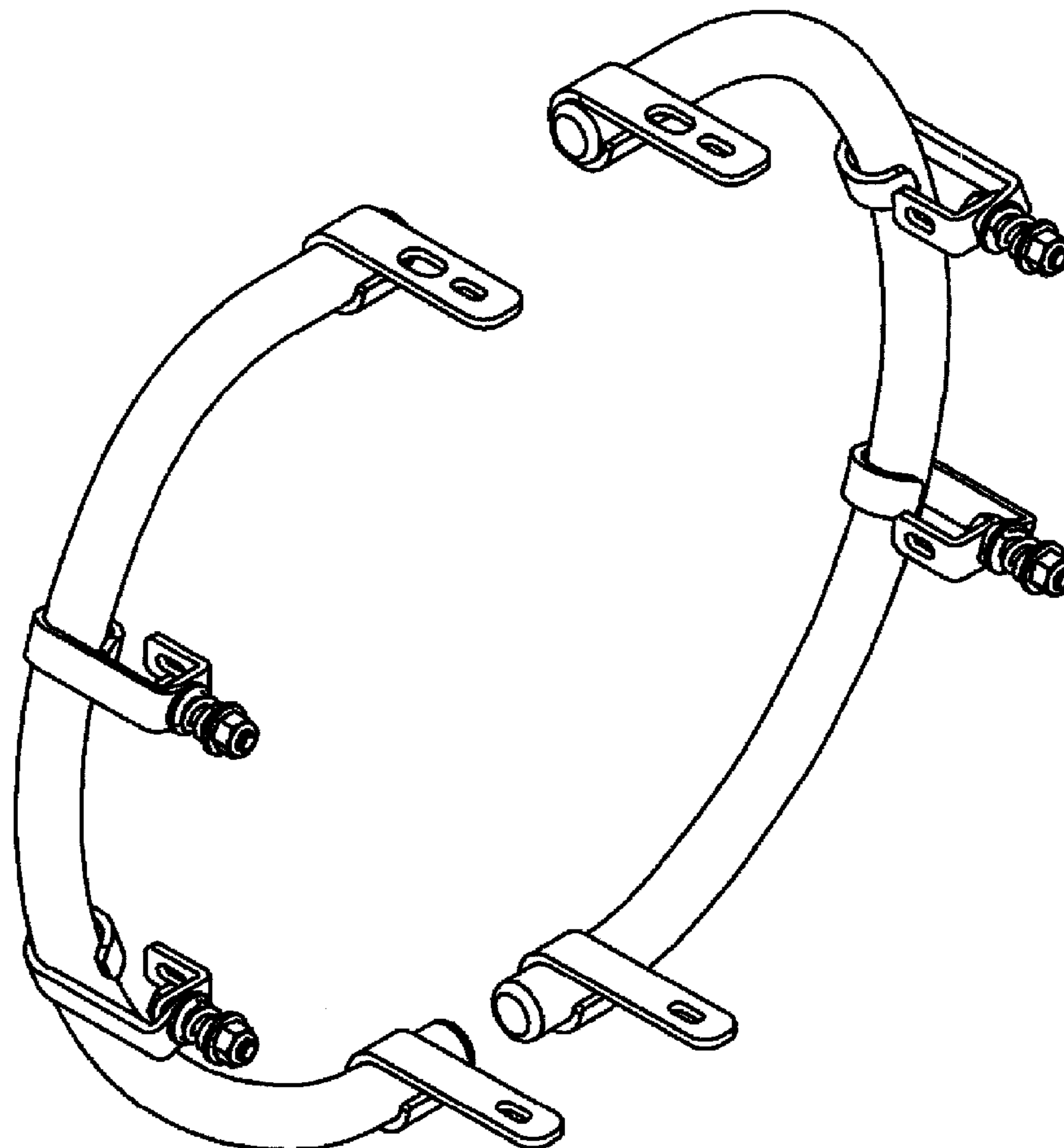
FIG. 5 is an enlarged top perspective view of the spring assembly portion thereof, shown separately for clarity of illustration.

(56) **References Cited**

U.S. PATENT DOCUMENTS

6,478,640 B1 * 11/2002 Raps 440/72

1 Claim, 5 Drawing Sheets



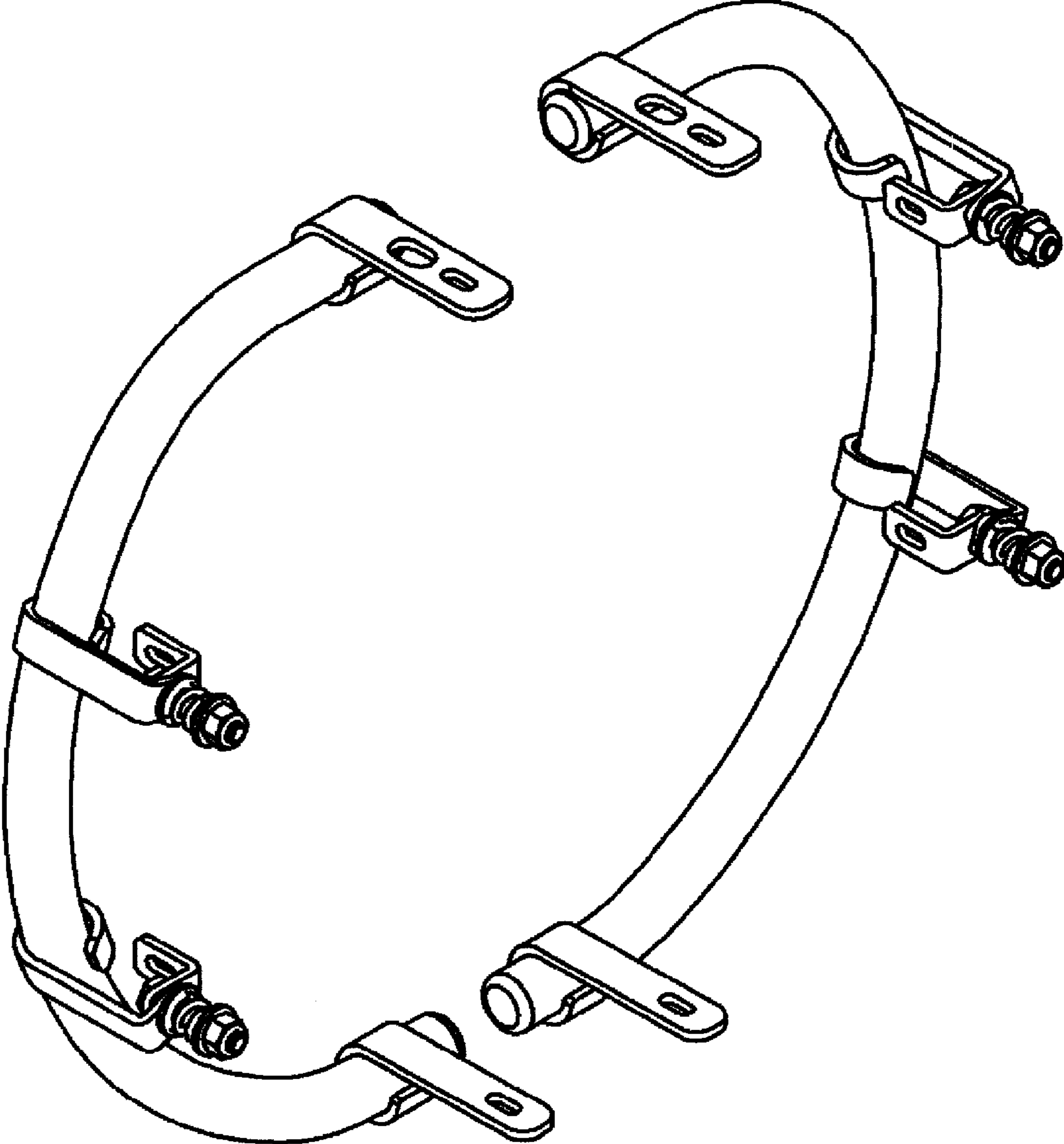


FIG. 1

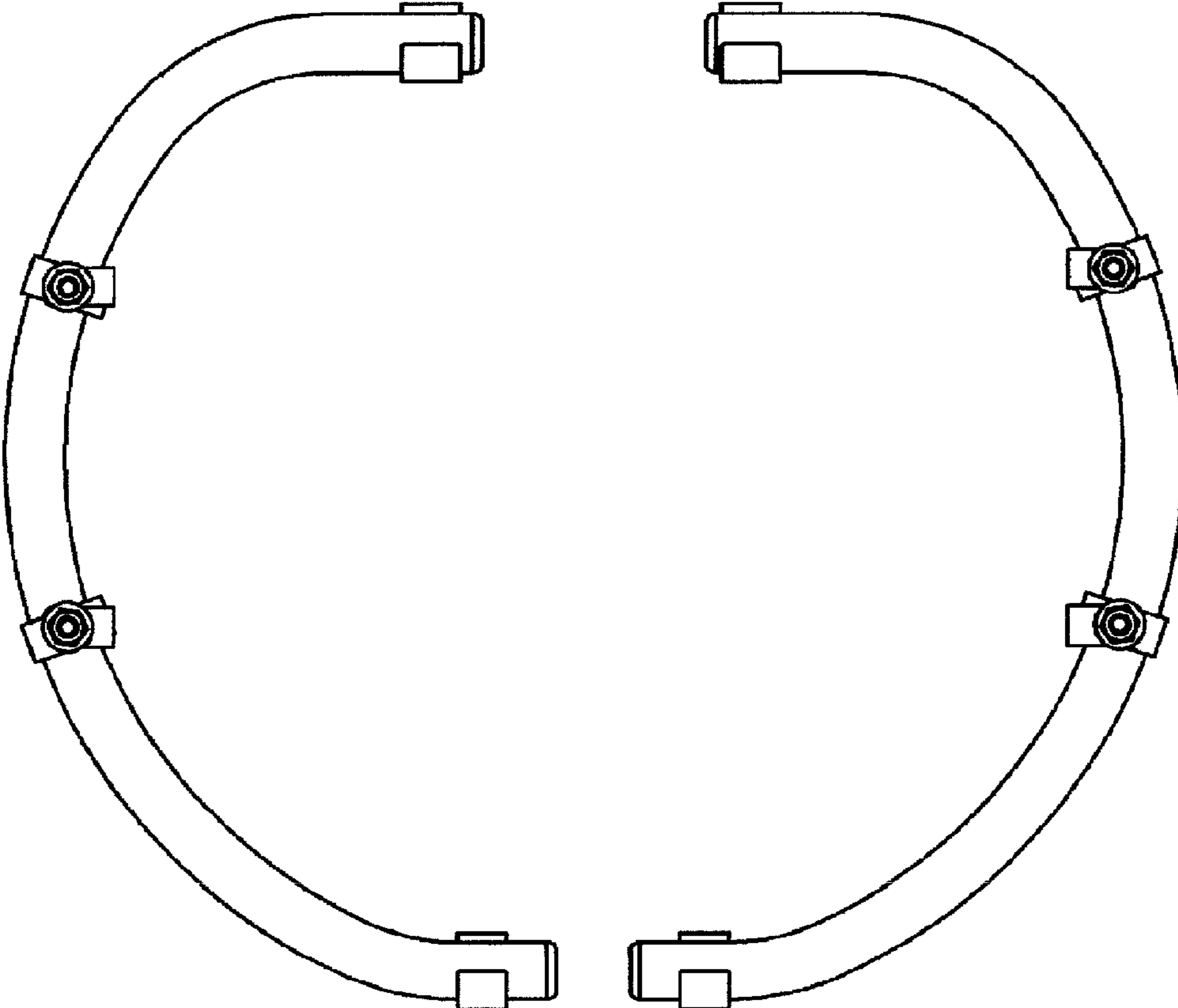


FIG. 2

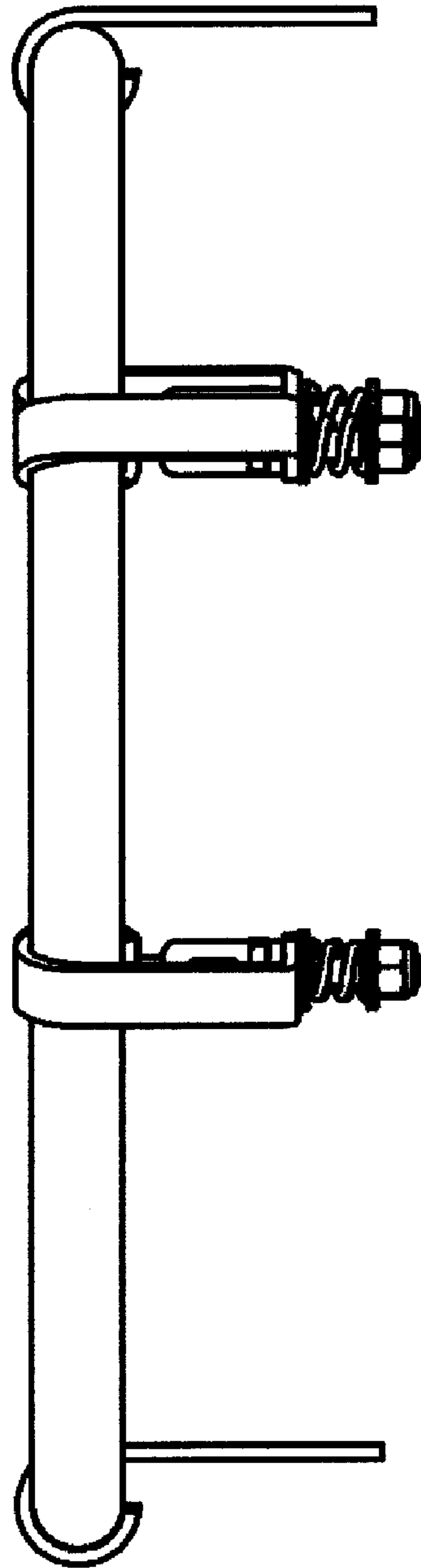


FIG. 3

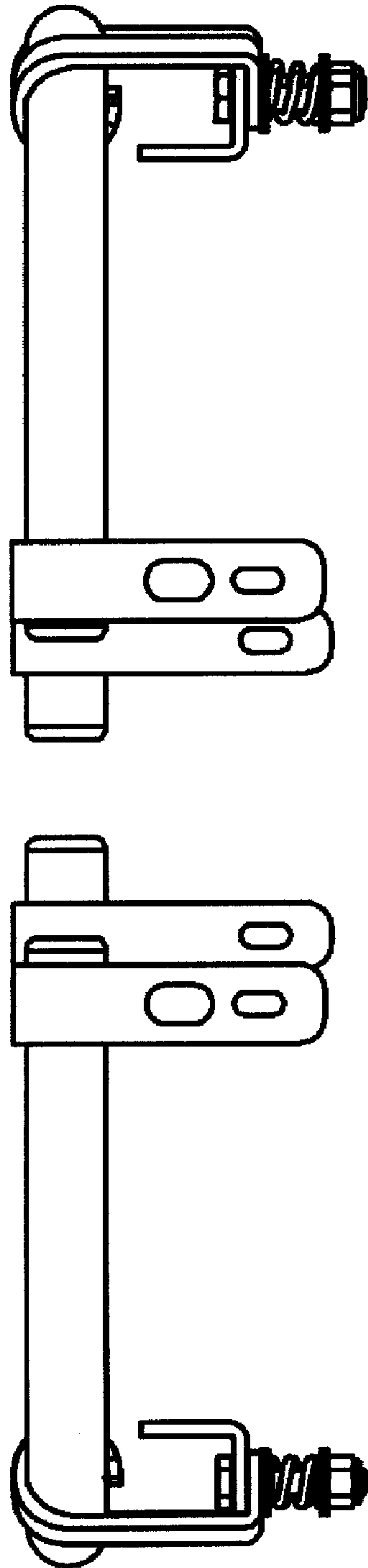


FIG. 4

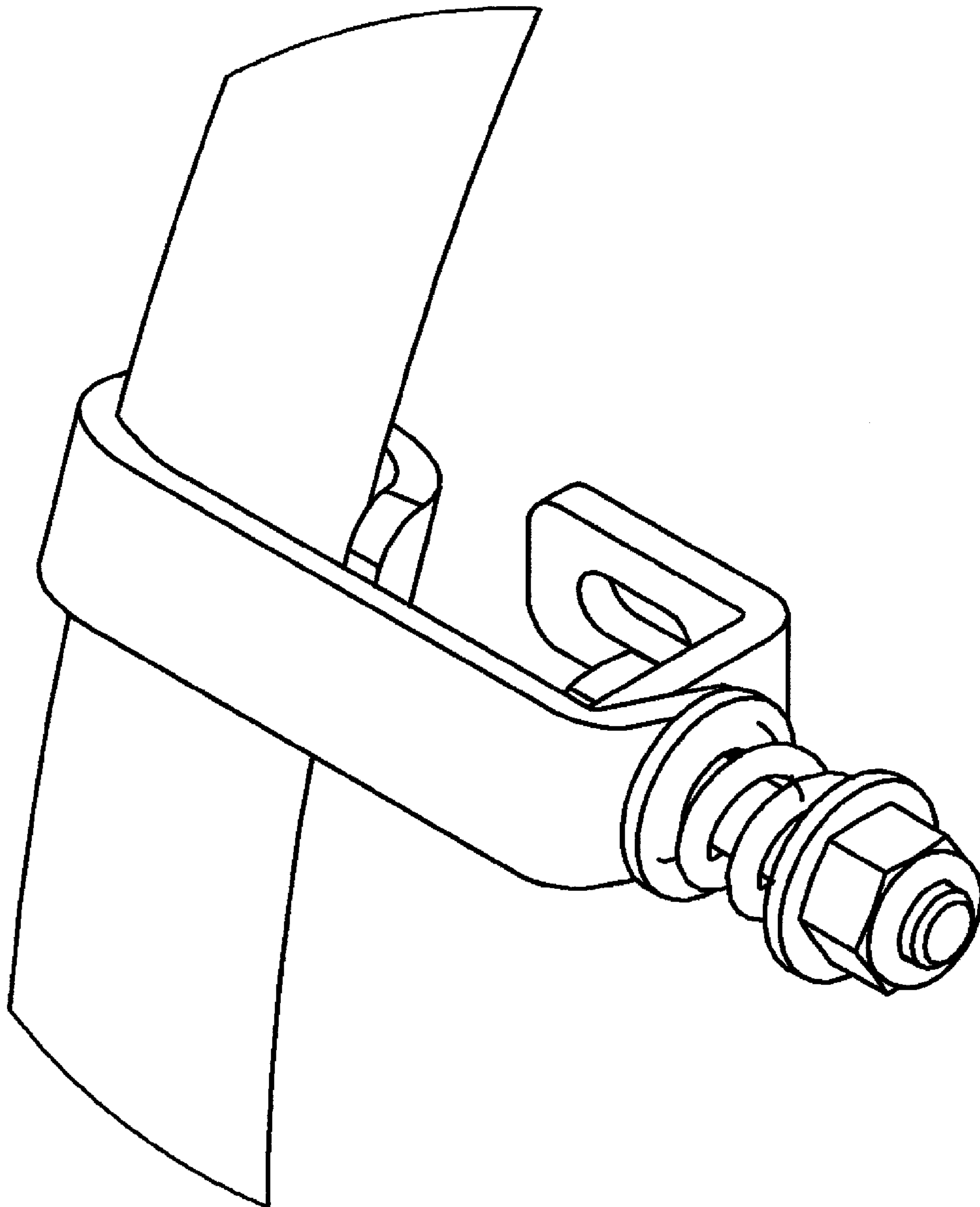


FIG. 5