

US00D562207S

(12) **United States Design Patent**
Pfeiffer

(10) **Patent No.:** **US D562,207 S**

(45) **Date of Patent:** **** Feb. 19, 2008**

(54) **FRONT FACE OF A VEHICLE WHEEL**

D548,161 S * 8/2007 Young D12/209
D550,140 S * 9/2007 Laengerer D12/211

(75) Inventor: **Peter Pfeiffer**, Boeblingen (DE)

* cited by examiner

(73) Assignee: **DaimlerChrysler AG**, Stuttgart (DE)

Primary Examiner—Stacia Cadmus

(**) Term: **14 Years**

(74) *Attorney, Agent, or Firm*—Crowell & Moring LLP

(21) Appl. No.: **29/274,049**

(57) **CLAIM**

(22) Filed: **Mar. 26, 2007**

The ornamental design for a front face of a vehicle wheel, as shown and described.

(30) **Foreign Application Priority Data**

Sep. 27, 2006 (DE) 4 06 04 995

DESCRIPTION

(51) **LOC (8) Cl.** **12-16**

This application is related to the following co-pending application, of the inventor, filed on even date herewith:

(52) **U.S. Cl.** **D12/211**

Application Ser. No. 29/274,048, entitled “Segment of the Front Face of a Vehicle Wheel”.

(58) **Field of Classification Search** D12/204–213;
301/37.101, 64.101, 65

See application file for complete search history.

FIG. 1 is a front view of a first embodiment of a front face of a vehicle wheel according to my novel design; and

FIG. 2 is a perspective view thereof.

(56) **References Cited**

U.S. PATENT DOCUMENTS

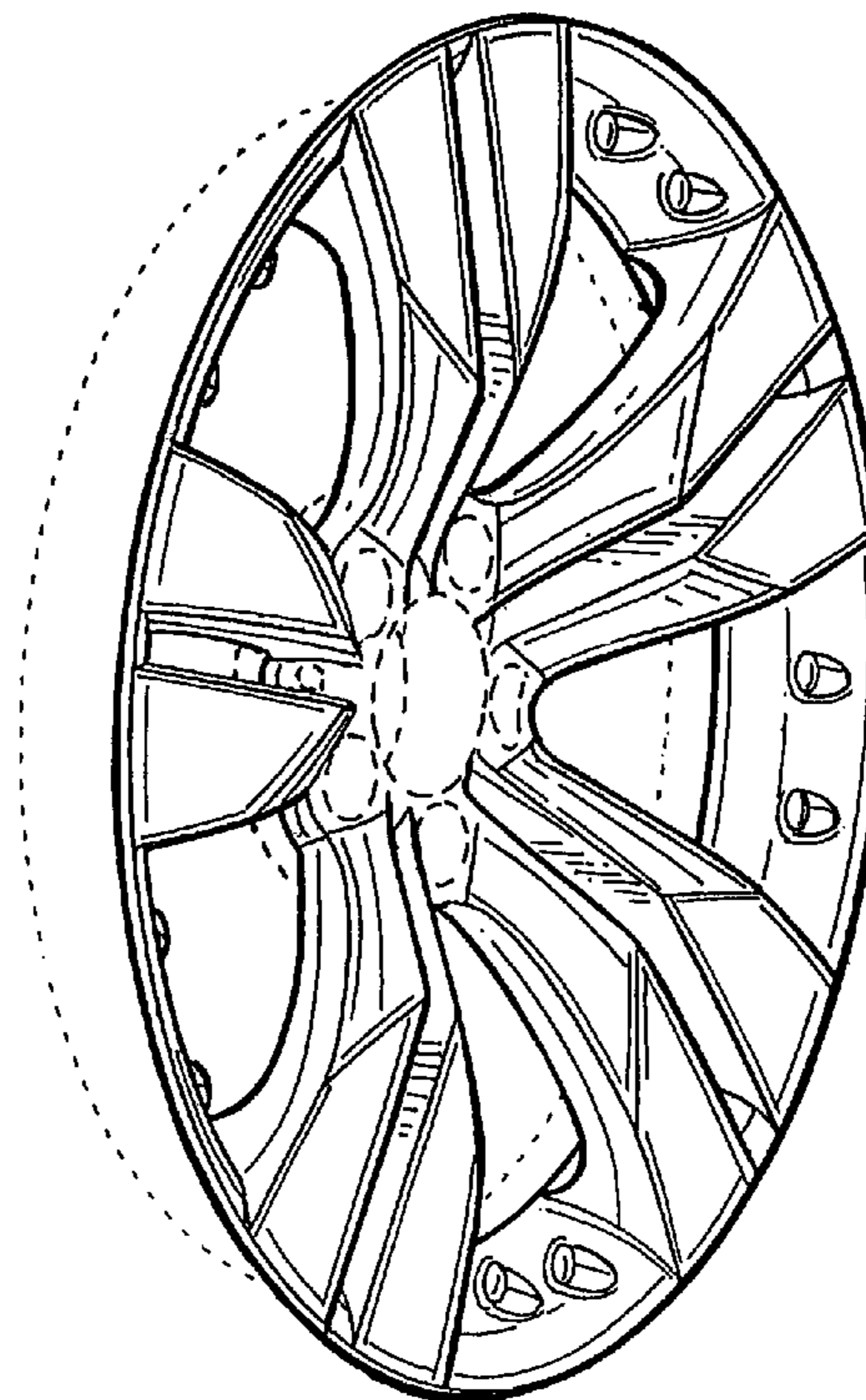
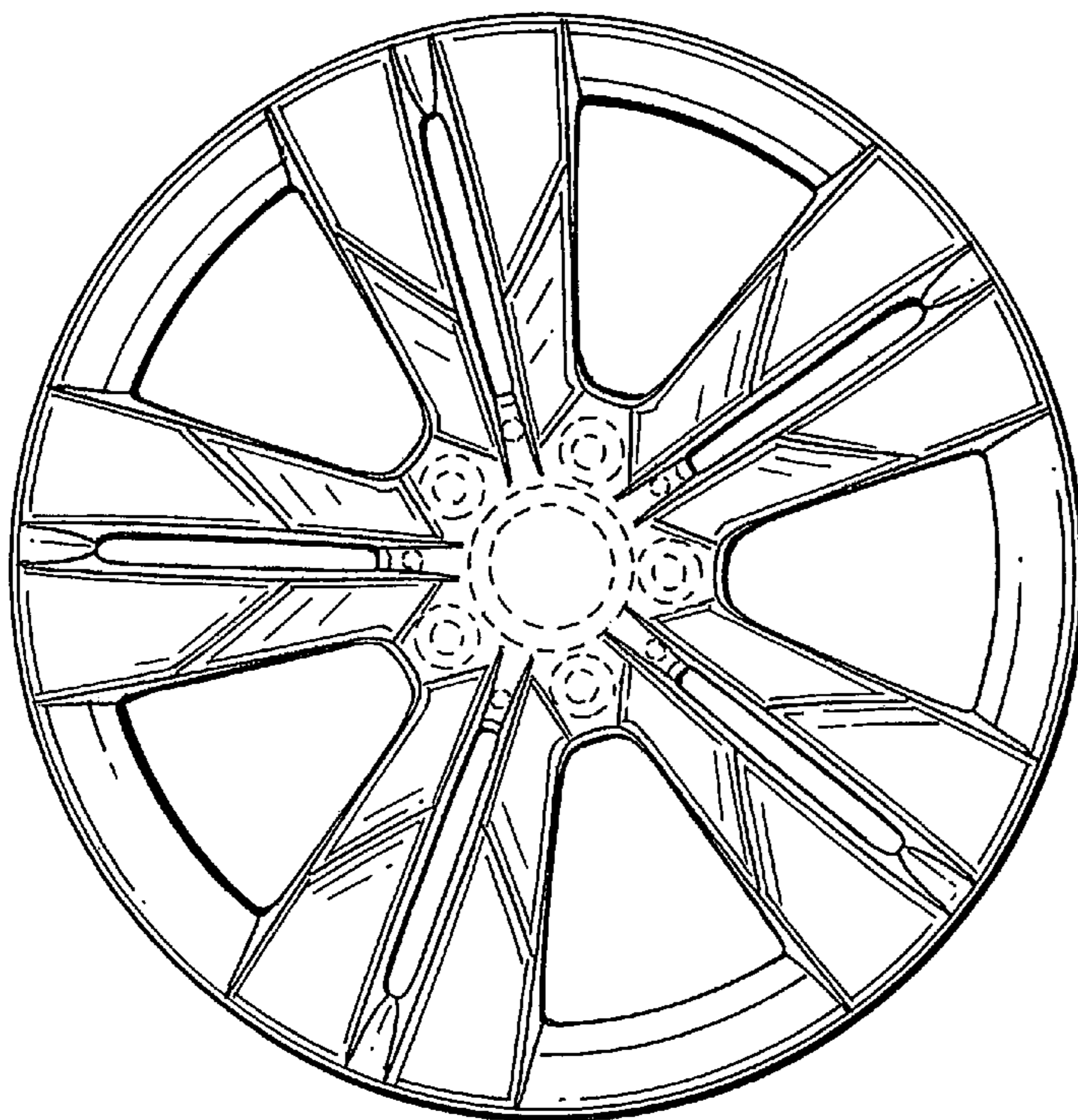
D427,555 S * 7/2000 Hall D12/209
D472,866 S * 4/2003 Pfeiffer et al. D12/211
D480,674 S * 10/2003 Lecher et al. D12/209
D494,524 S * 8/2004 Rice D12/211
D504,097 S * 4/2005 Markefka D12/209
D530,258 S * 10/2006 Schell D12/211
D535,238 S * 1/2007 Kim D12/209

FIG. 3 is a front view of a second embodiment of the front face of a vehicle wheel according to my novel design; and,

FIG. 4 is a perspective view thereof.

The broken lines are for illustrative purposes only and form no part of the claimed design.

1 Claim, 2 Drawing Sheets



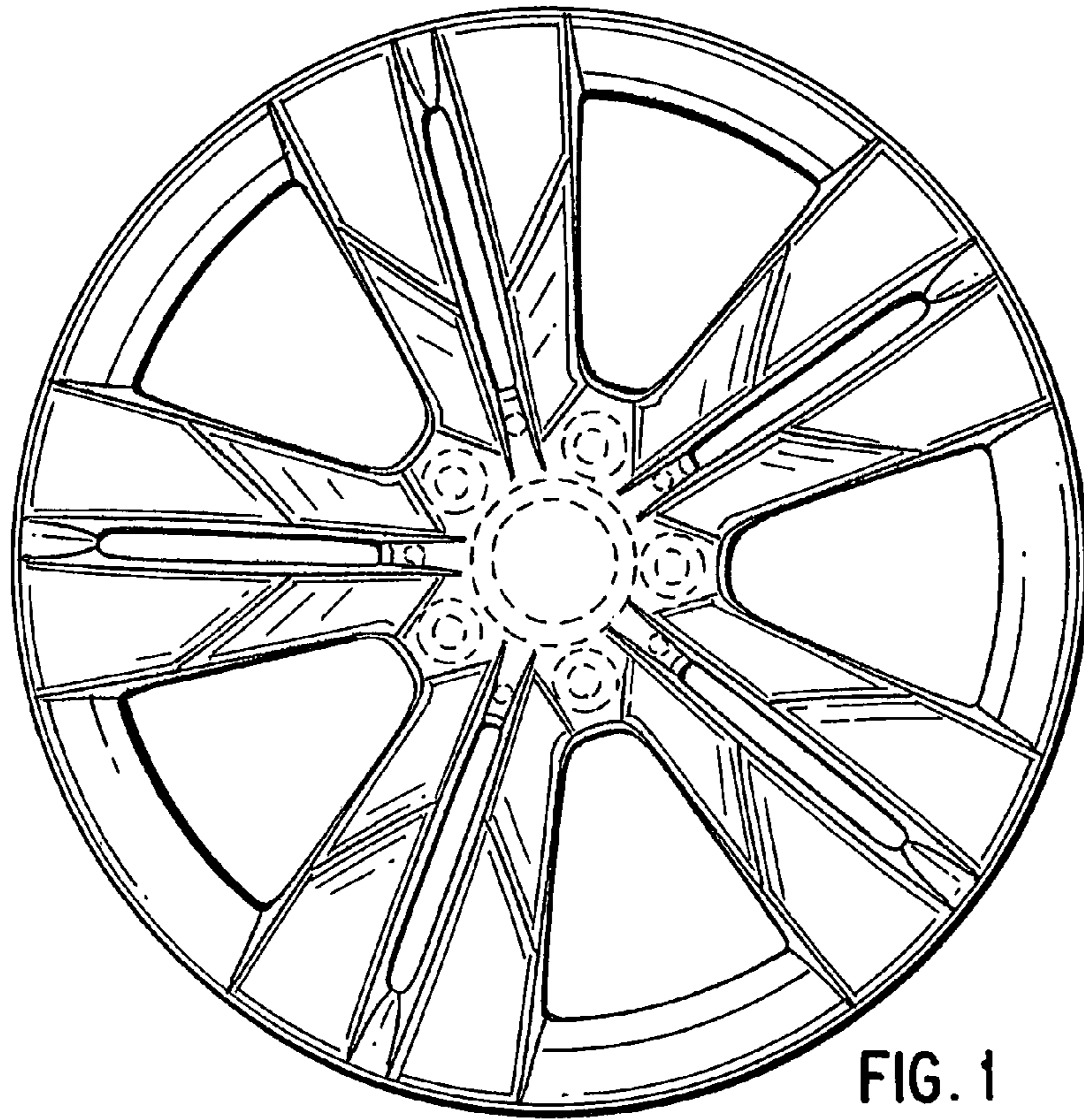


FIG. 1

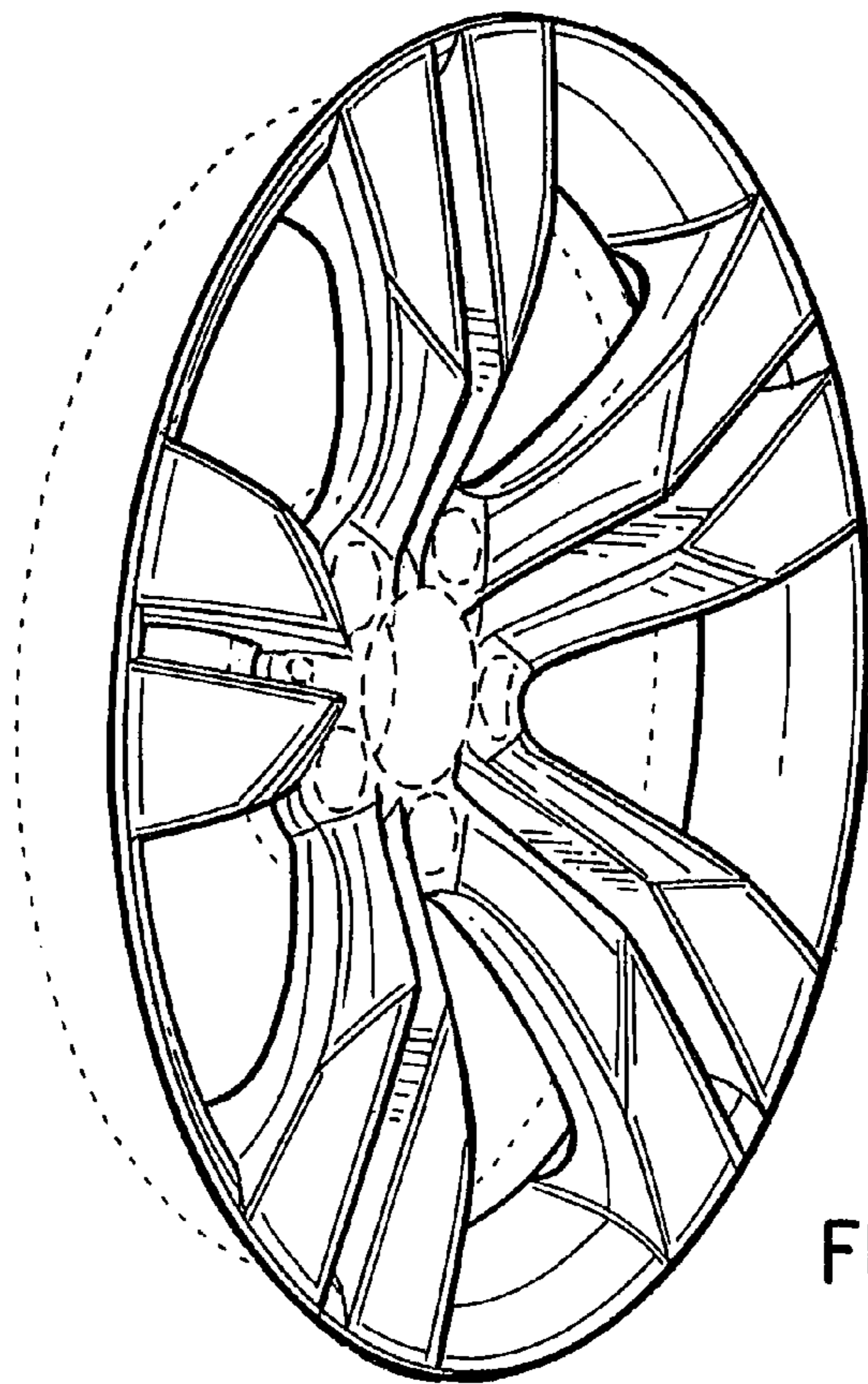


FIG. 2

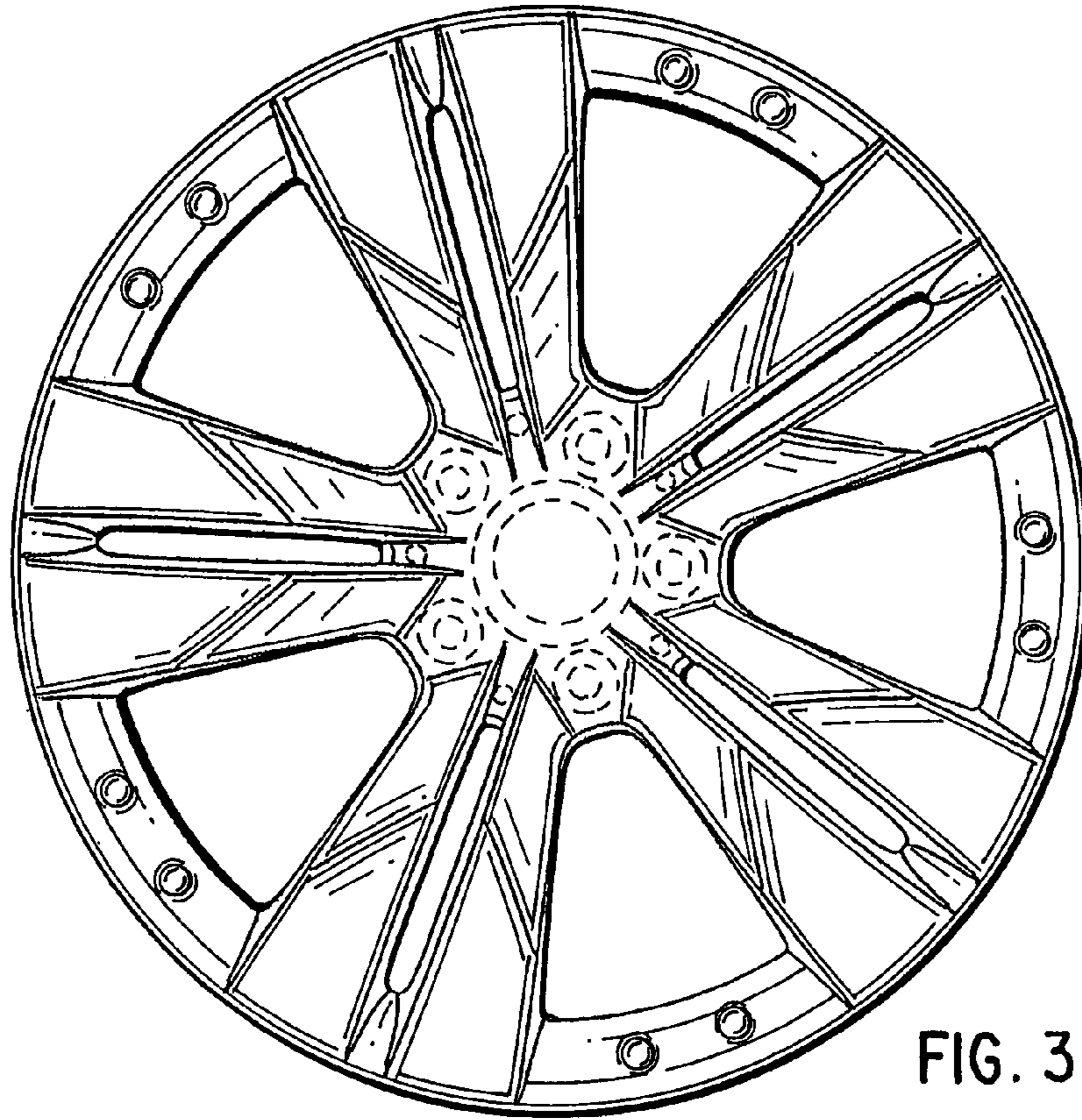


FIG. 3

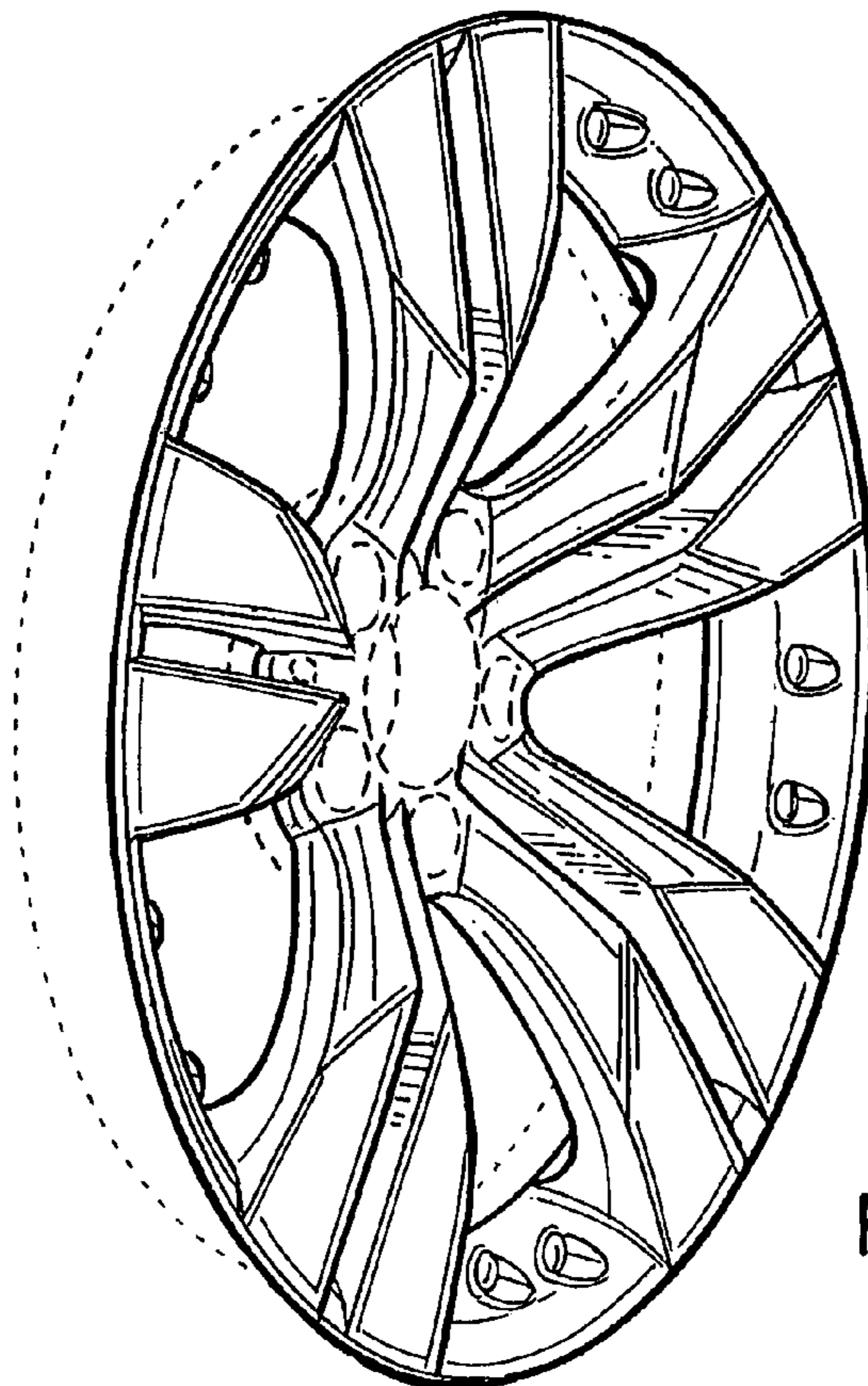


FIG. 4