



US00D562206S

(12) **United States Design Patent**  
**Newbill**

(10) **Patent No.:** **US D562,206 S**

(45) **Date of Patent:** **\*\* Feb. 19, 2008**

(54) **SPARE TIRE CARRIER ASSEMBLY**

(76) **Inventor:** **Anthony J. Newbill**, 3045 W. Cantel Ct., Wickenburg, AZ (US) 85390

(\*\*) **Term:** **14 Years**

(21) **Appl. No.:** **29/295,025**

(22) **Filed:** **Sep. 20, 2007**

**Related U.S. Application Data**

(63) Continuation-in-part of application No. 11/688,781, filed on Mar. 20, 2007, which is a continuation-in-part of application No. 10/784,654, filed on Feb. 23, 2004, now abandoned.

(51) **LOC (8) Cl.** ..... **12-16**

(52) **U.S. Cl.** ..... **D12/202**

(58) **Field of Classification Search** ..... D12/202;  
414/462-466, 400; 296/146.11; 362/496,  
362/500, 505, 320, 42, 540-541; 224/518,  
224/520, 509, 400, 488-489, 42.28, 42.21-42.25  
See application file for complete search history.

(56) **References Cited**

**U.S. PATENT DOCUMENTS**

D310,507 S \* 9/1990 Ware ..... D12/202  
D424,005 S \* 5/2000 Henry ..... D12/202

D469,725 S \* 2/2003 Murkett ..... D12/202  
D473,835 S \* 4/2003 Roehmer et al. .... D12/202  
6,796,466 B2 \* 9/2004 Essig ..... 224/42.21  
D505,649 S \* 5/2005 Kenney ..... D12/202

\* cited by examiner

*Primary Examiner*—Stacia Cadmus

(74) *Attorney, Agent, or Firm*—Schmeiser Olsen & Watts LLP

(57) **CLAIM**

The ornamental design for a spare tire carrier assembly, as shown.

**DESCRIPTION**

FIG. 1 is a left front perspective view of a spare tire carrier assembly.

FIG. 2 is a right front perspective view of the spare tire carrier assembly.

FIG. 3 is a front side view of the spare tire carrier assembly.

FIG. 4 is a back side view of spare tire carrier assembly.

FIG. 5 is a right side view of the spare tire carrier assembly.

FIG. 6 is a left side view of the spare tire carrier assembly.

FIG. 7 is top view of the spare tire carrier assembly; and,

FIG. 8 is bottom view of the spare tire carrier assembly.

**1 Claim, 4 Drawing Sheets**

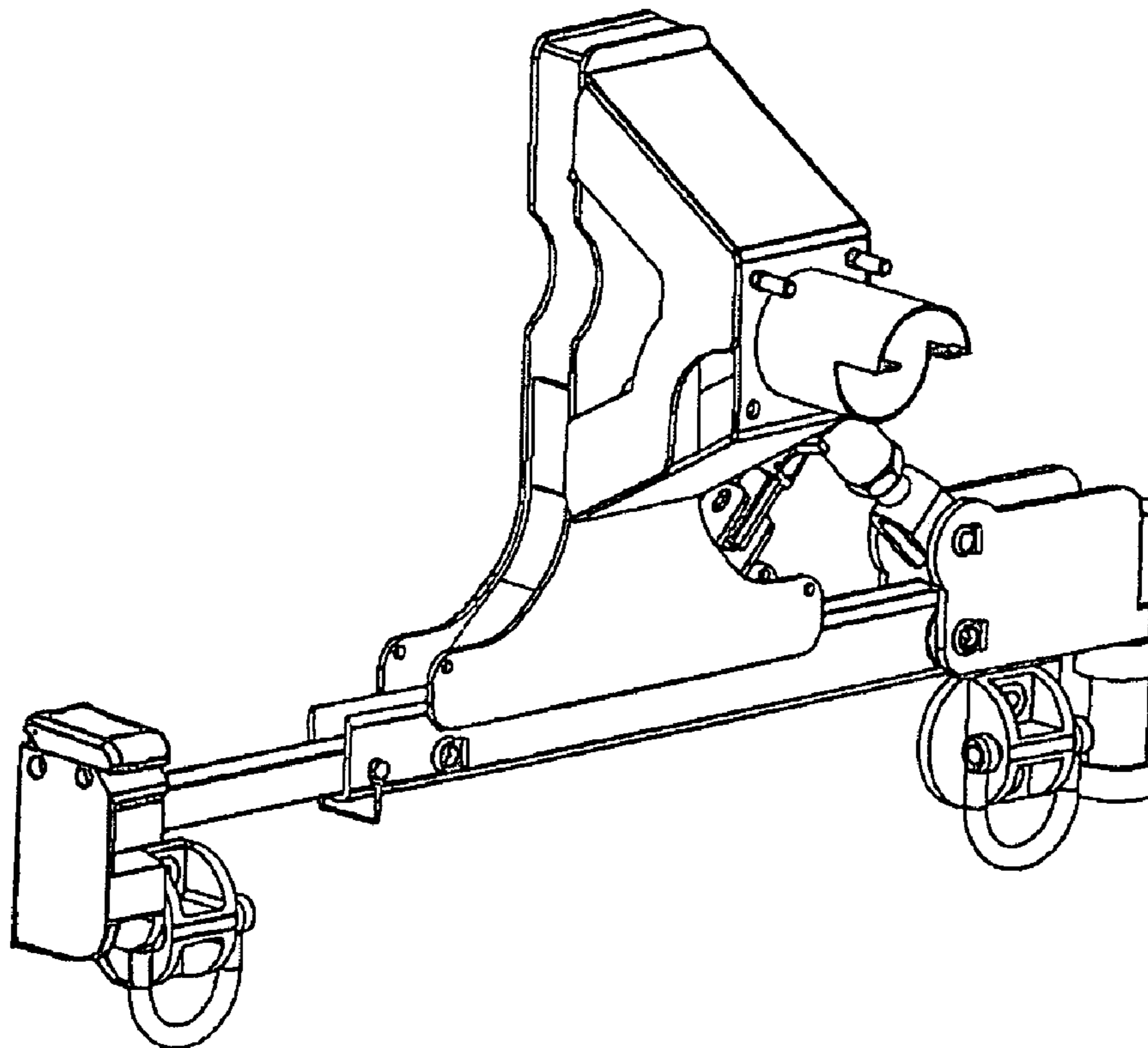


FIG. 1

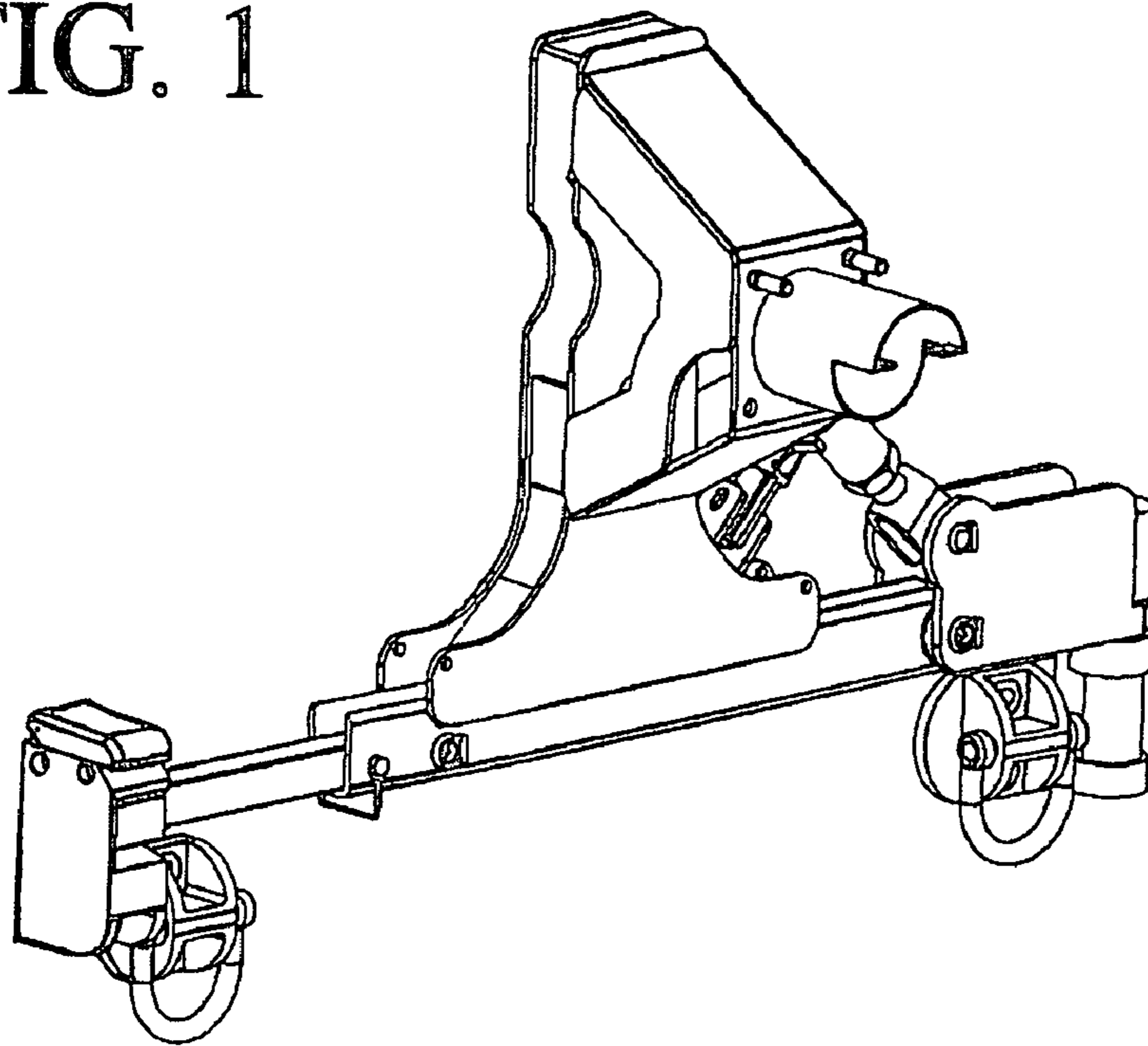


FIG. 2

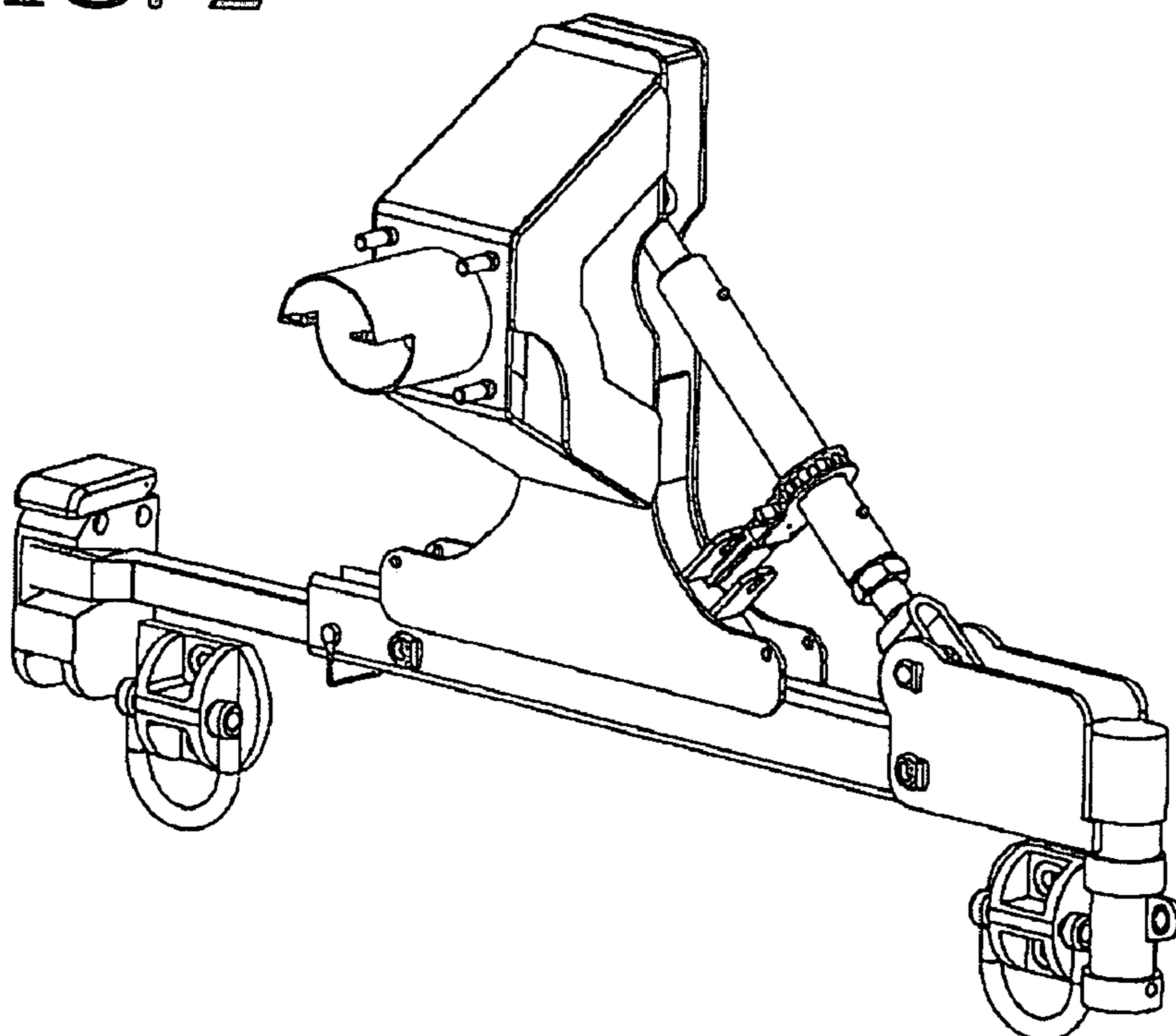


FIG. 3

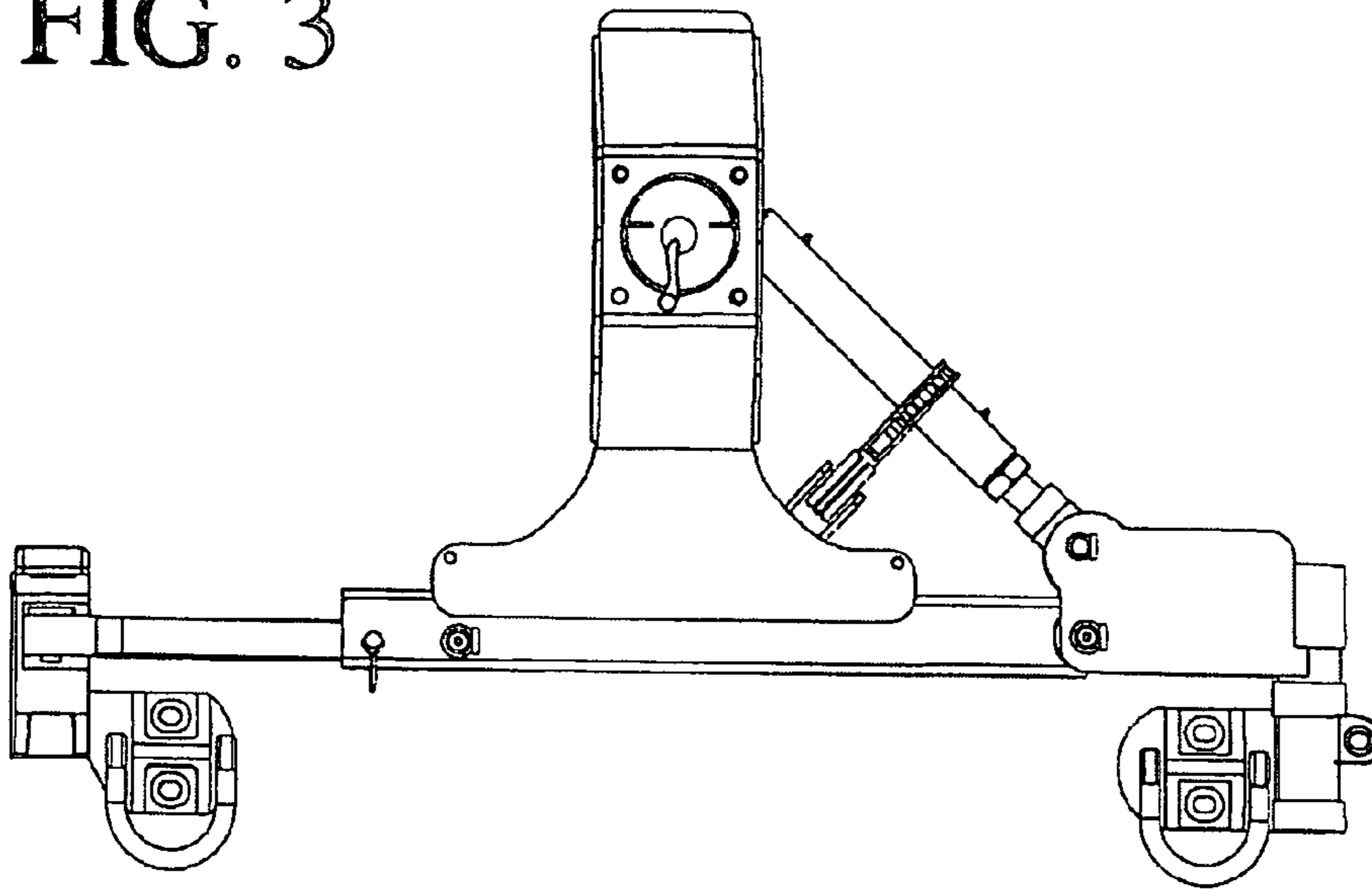


FIG. 4

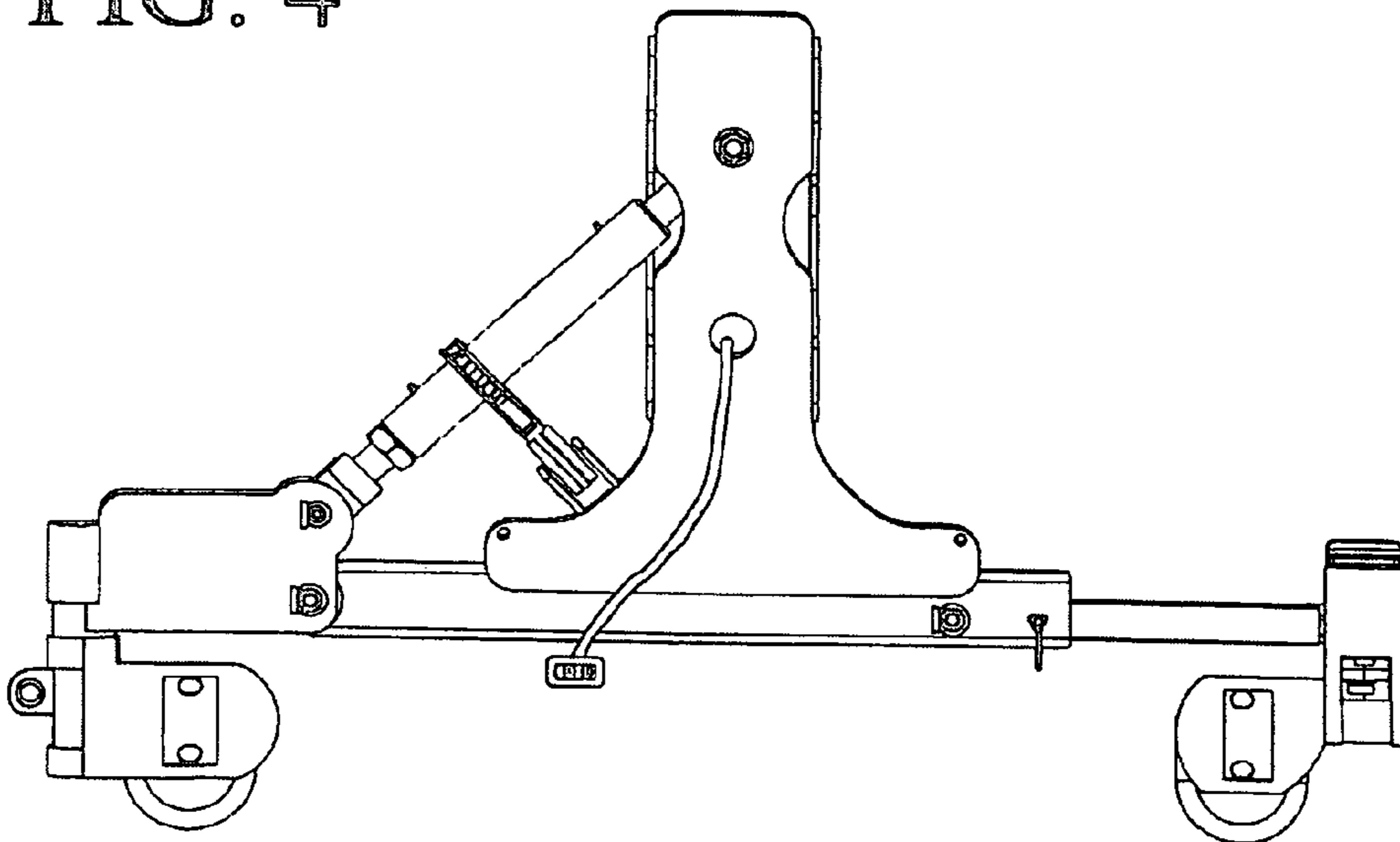


FIG. 5

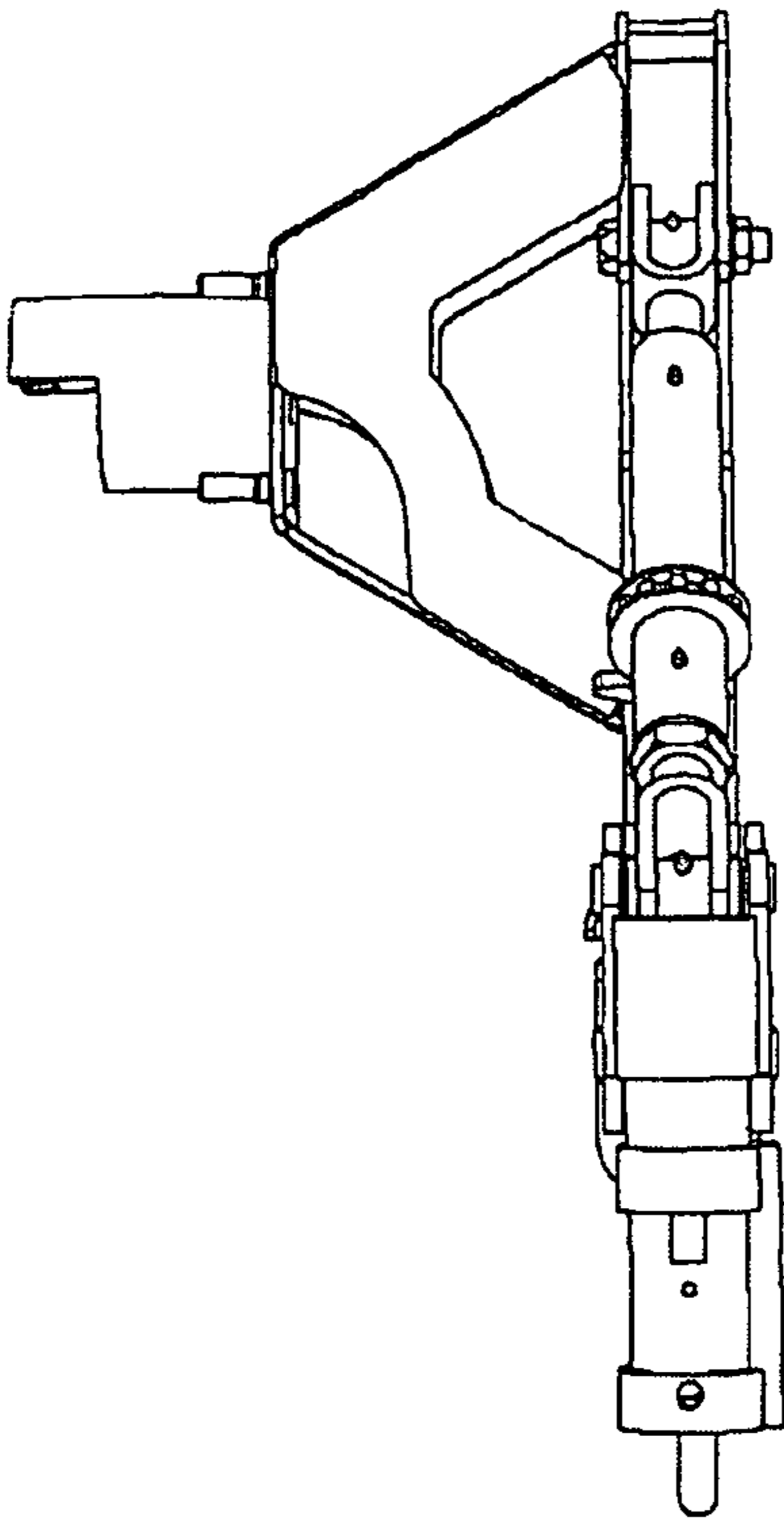


FIG. 6

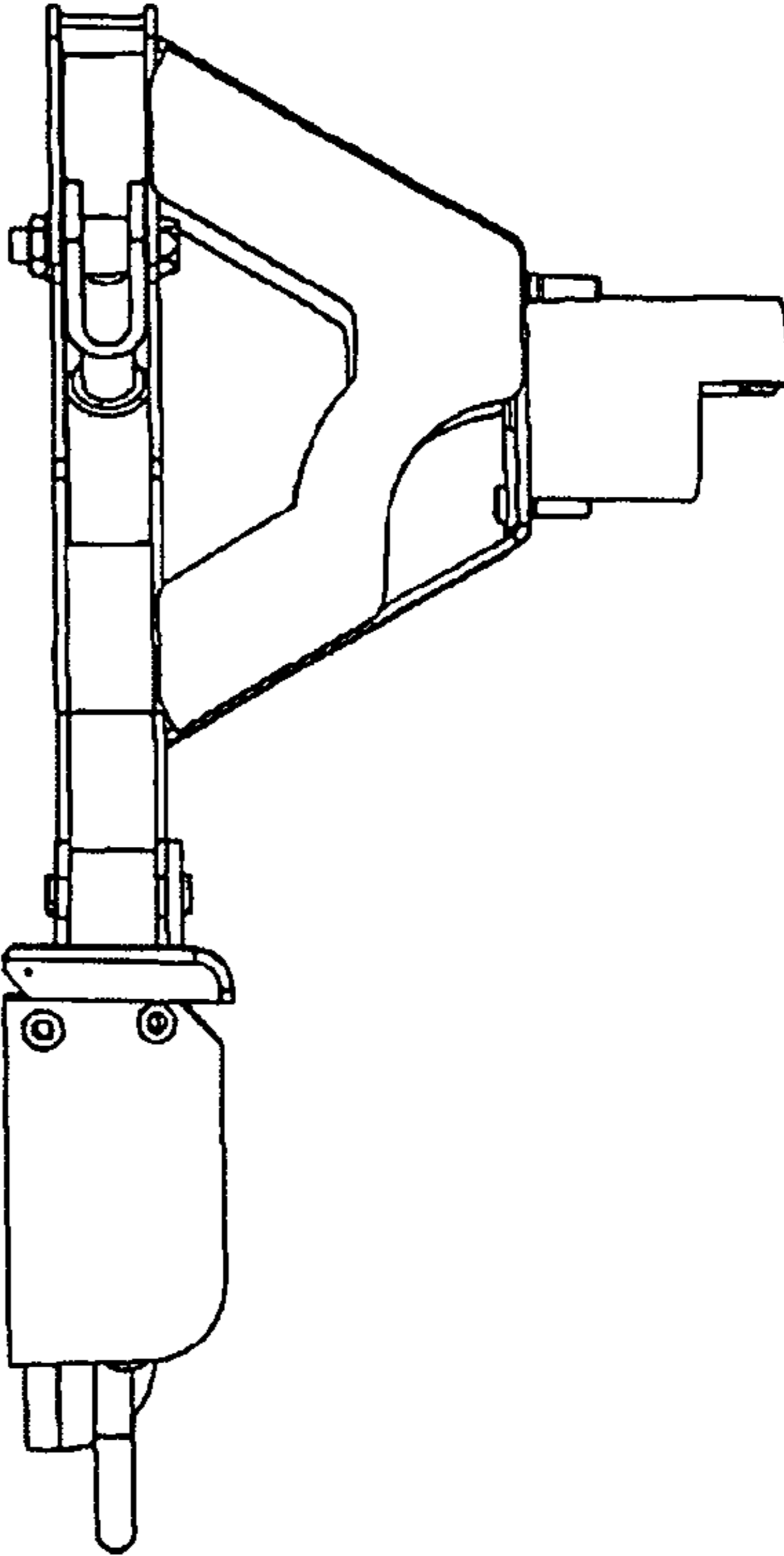


FIG. 7

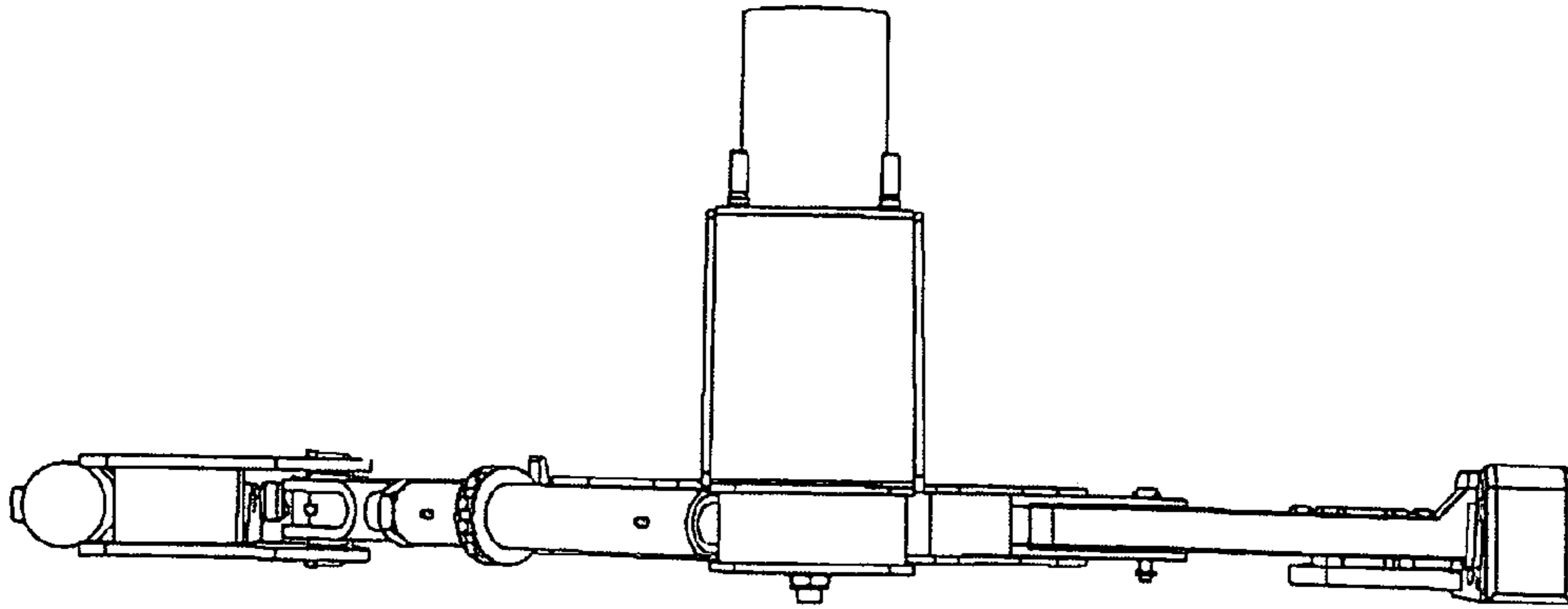


FIG. 8

