



US00D562204S

(12) **United States Design Patent**
Dayan et al.

(10) **Patent No.:** **US D562,204 S**
(45) **Date of Patent:** **** Feb. 19, 2008**

(54) **LICENSE PLATE FRAME**

(75) Inventors: **Maurice S. Dayan**, Oakhurst, NJ (US);
Mervin A. Dayan, Oakhurst, NJ (US)

(73) Assignee: **Intellectual Solutions, Inc.**

(**) Term: **14 Years**

(21) Appl. No.: **29/295,287**

(22) Filed: **Sep. 25, 2007**

(51) **LOC (8) Cl.** **12-16**

(52) **U.S. Cl.** **D12/193**

(58) **Field of Classification Search** D12/193;
D6/300-303, 310-314; 40/200-203, 207-216
See application file for complete search history.

(56) **References Cited**

U.S. PATENT DOCUMENTS

D466,457 S	12/2002	Wang	
D491,506 S	6/2004	Spencer	
D491,854 S *	6/2004	Spencer	D12/193
D493,398 S	7/2004	Ohm et al.	
D494,519 S	8/2004	Huang	
D494,520 S *	8/2004	Huang	D12/193

OTHER PUBLICATIONS

<http://cgi.ebay.com/ebaymotors/LICENSE-PLATE-FRAME-FLAMES-TWO-HOLE-MO...> Sep. 20, 2007.

<http://www.autobarn.net/trilliplfr.html> Sep. 20, 2007.
<http://www.thehotrodgirl.com/fibilpifr.html> Sep. 20, 2007.

* cited by examiner

Primary Examiner—Stacia Cadmus

(74) *Attorney, Agent, or Firm*—Brian L. Belles; Wolf, Block, Schorr and Solis-Cohen LLP

(57) **CLAIM**

The ornamental design for a license plate frame, as shown and described.

DESCRIPTION

FIG. 1 is a front perspective view of the license plate frame. FIG. 2 is a front view of the license plate frame of FIG. 1. FIG. 3 is a rear view of the license plate frame of FIG. 1. FIG. 4 is a top view of the license plate frame of FIG. 1. FIG. 5 is a bottom view of the license plate frame of FIG. 1.

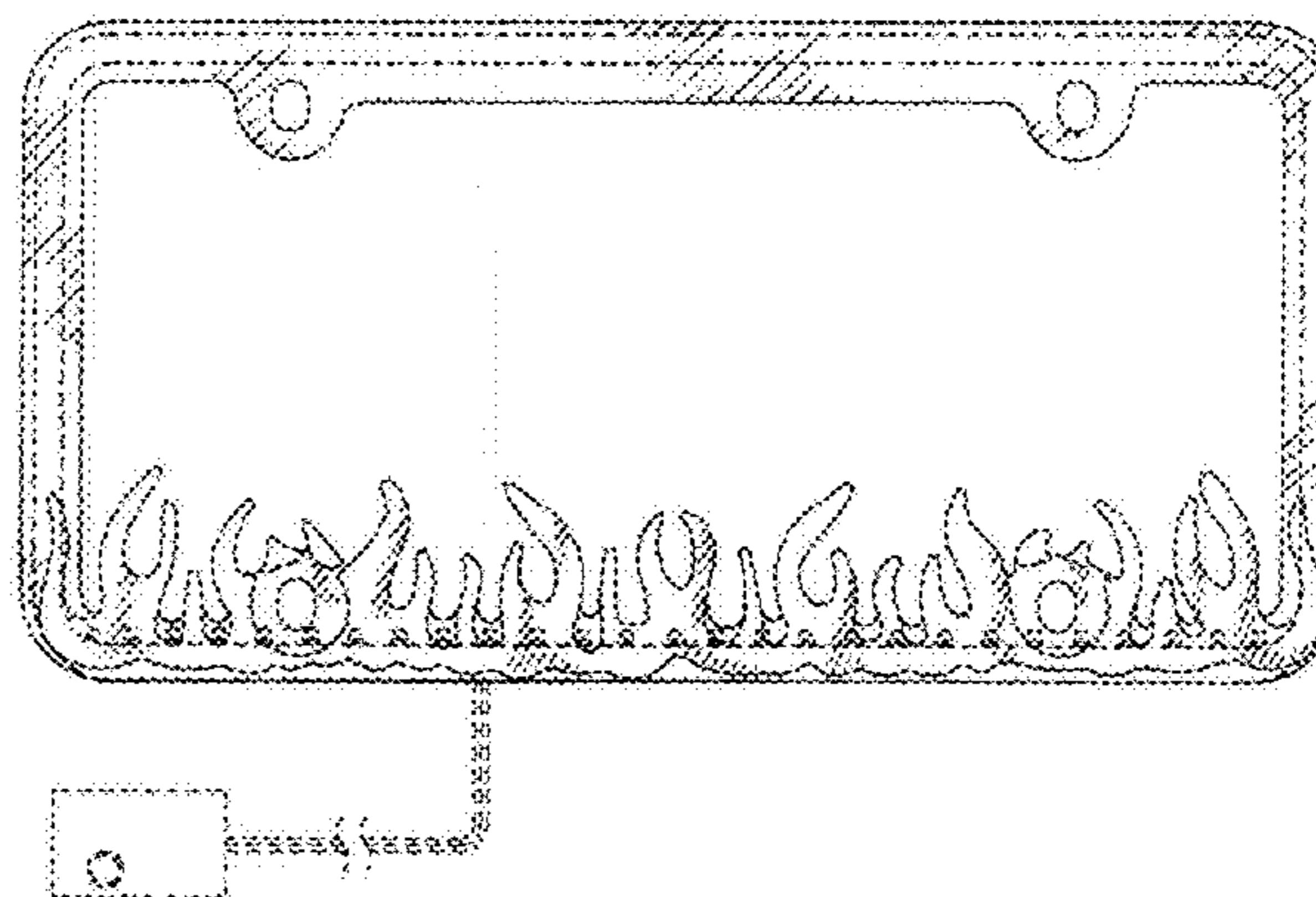
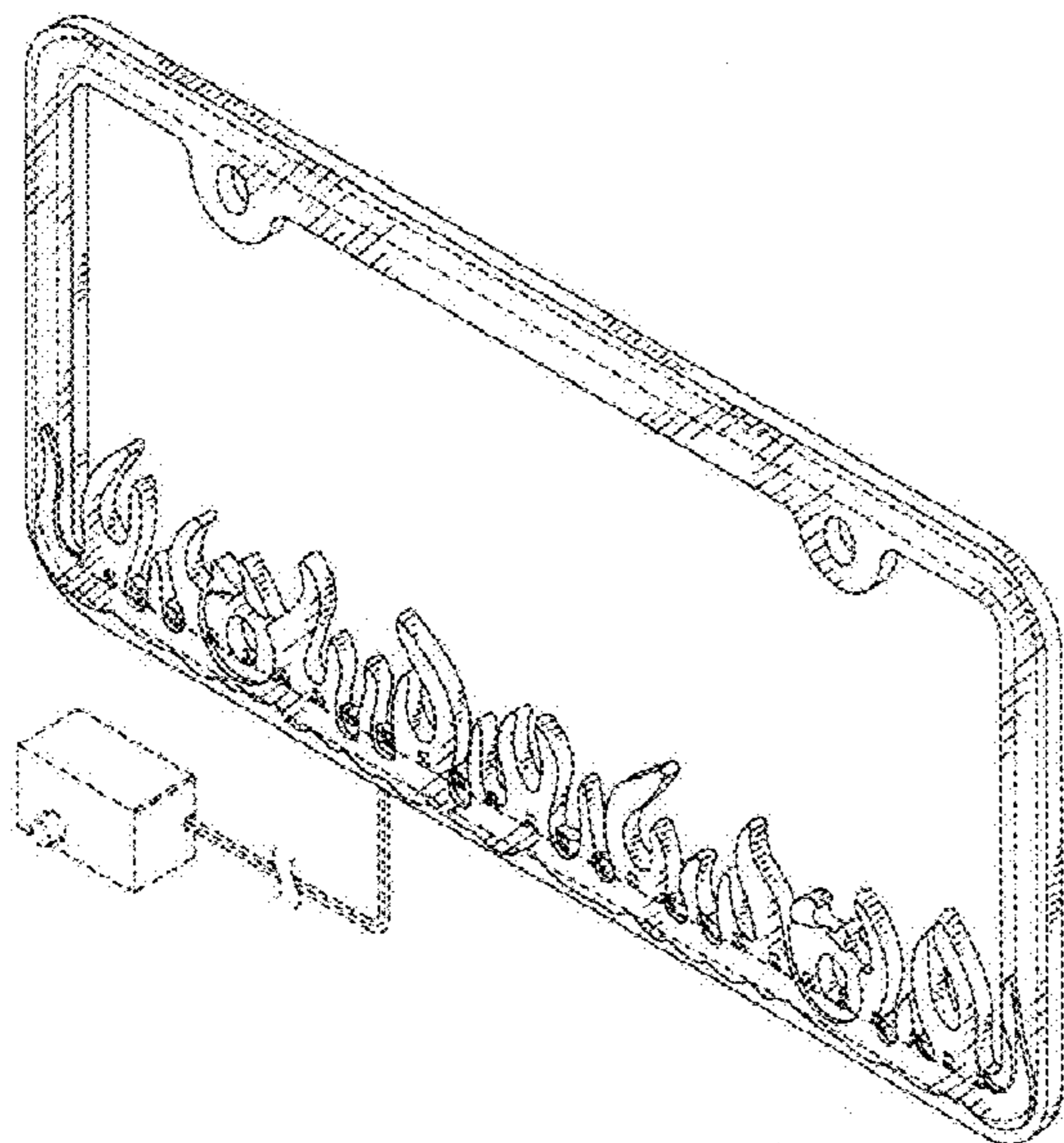
FIG. 6 is a left-side view of the license plate frame of FIG. 1; and,

FIG. 7 is a right-side view of the license plate frame of FIG. 1.

The broken lines shown in the drawings form no part of the claimed design.

The broken line showing of the wire is show broken away to indicate indeterminate length.

1 Claim, 3 Drawing Sheets



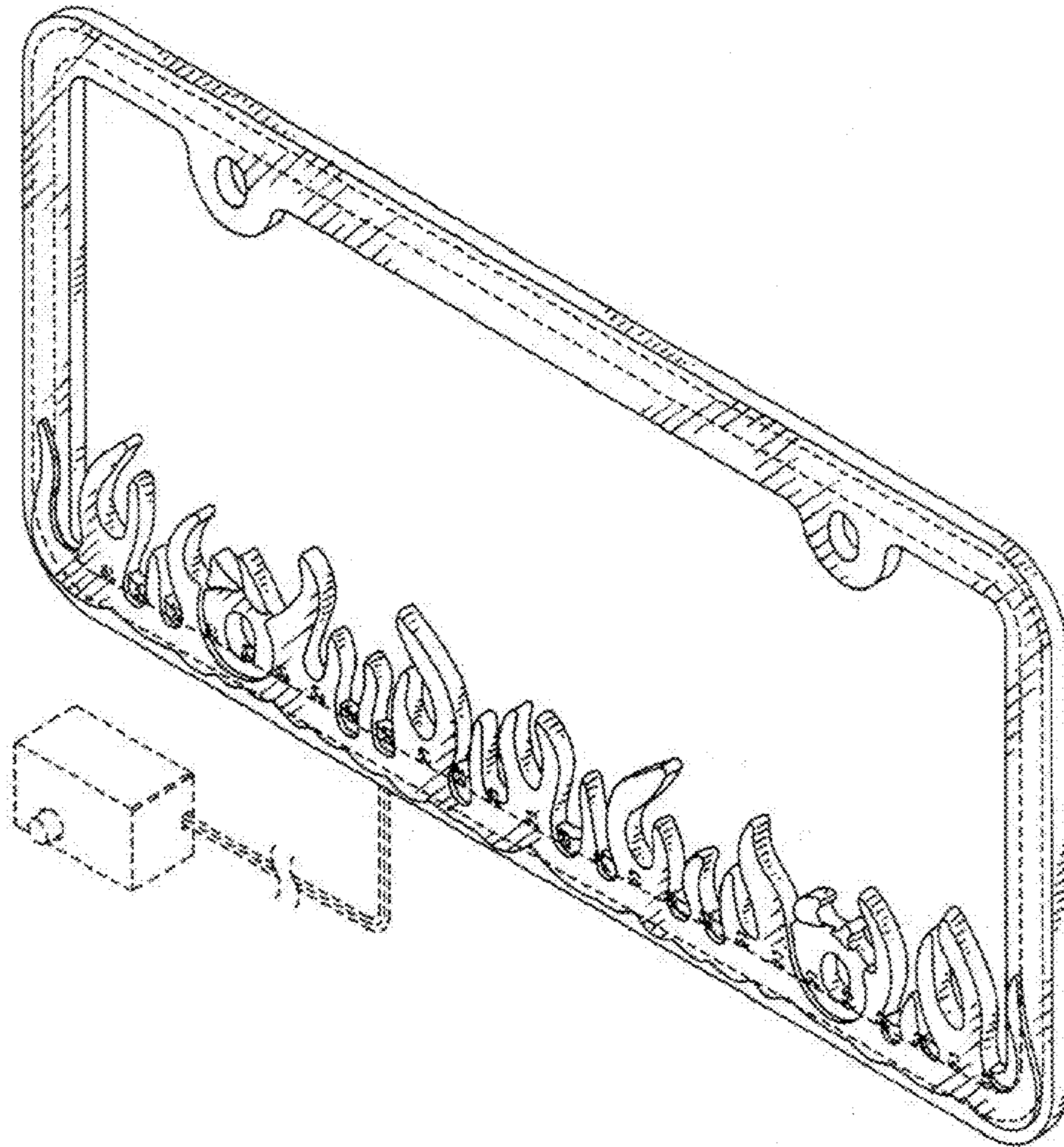


FIG. 1

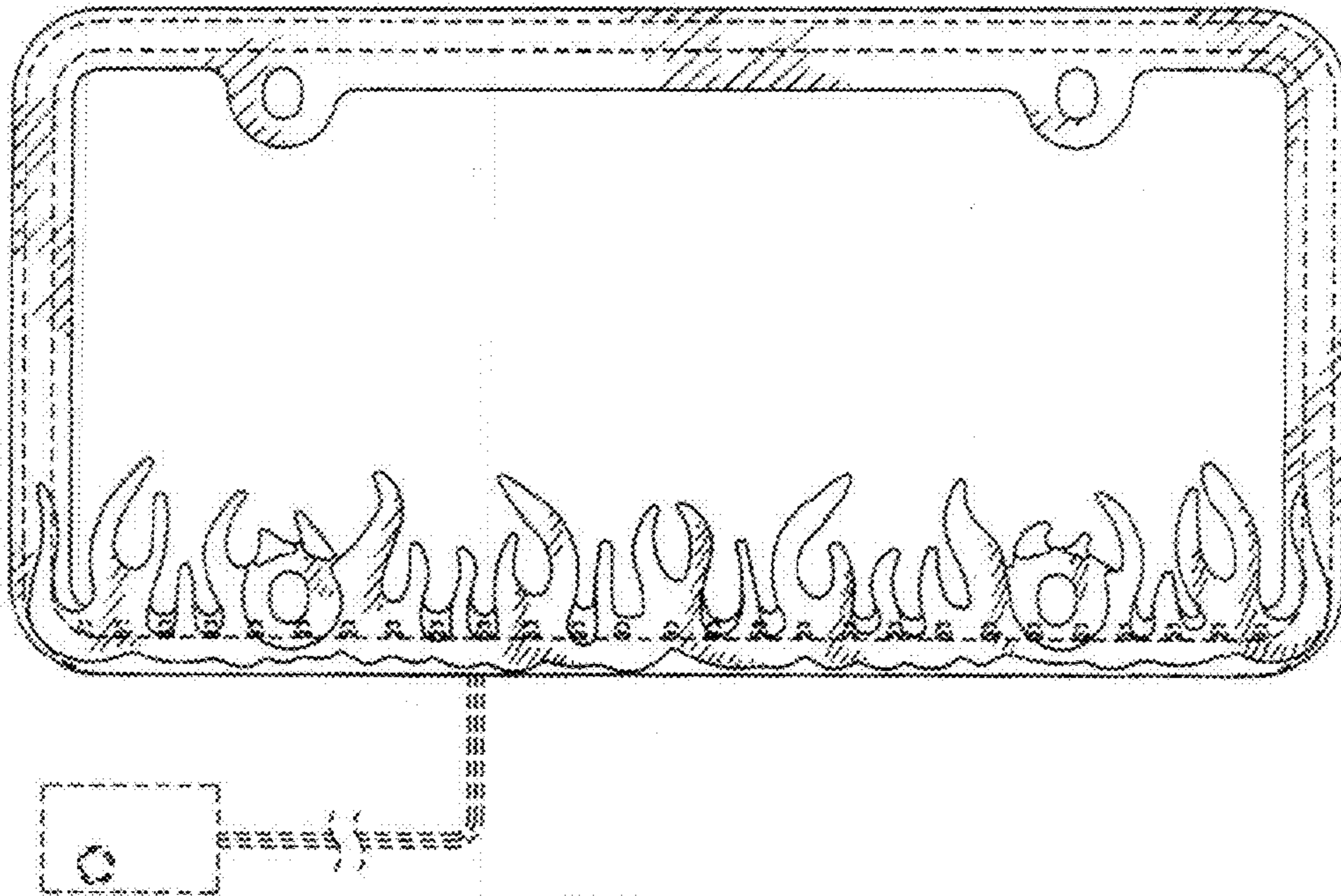


FIG. 2

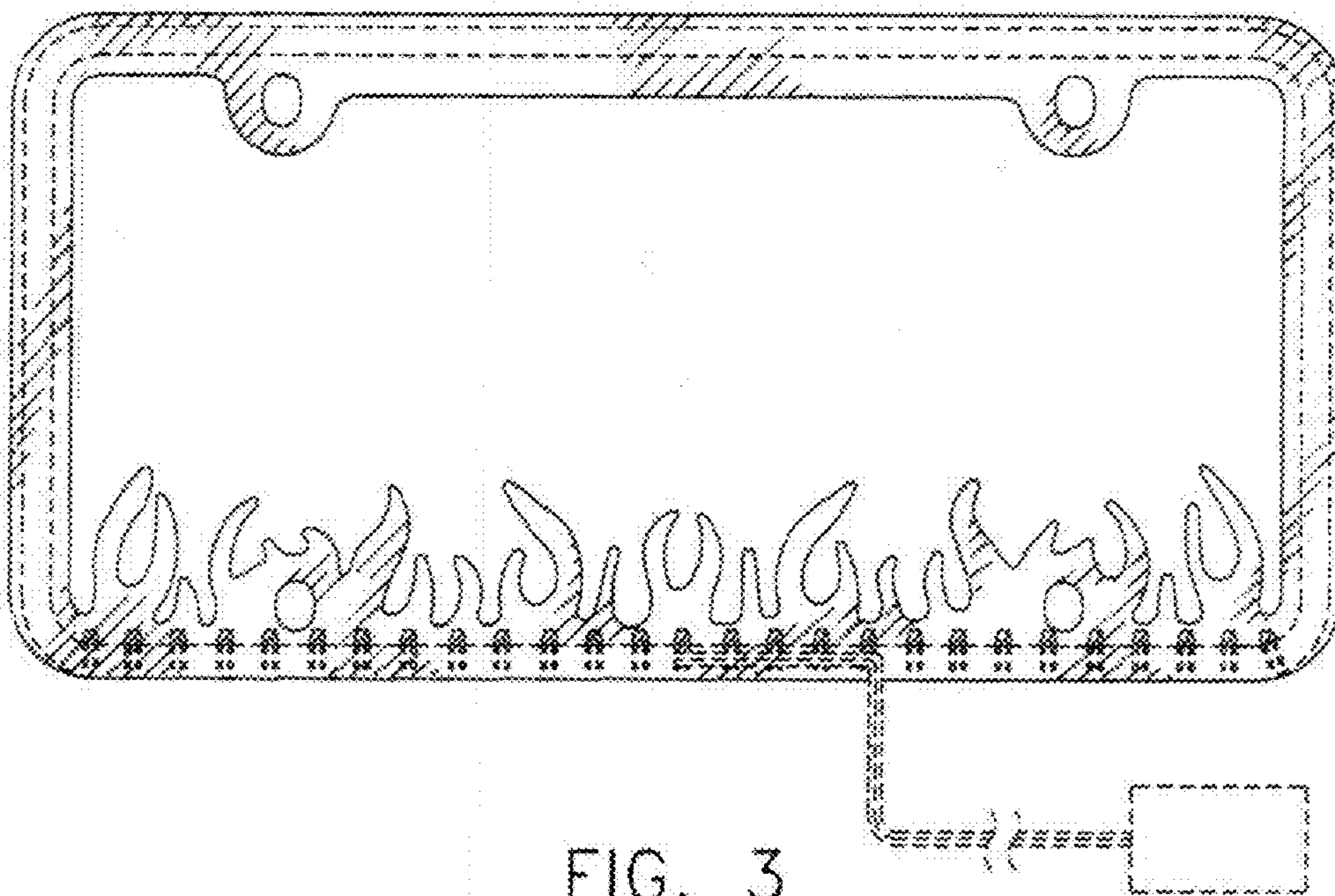


FIG. 3

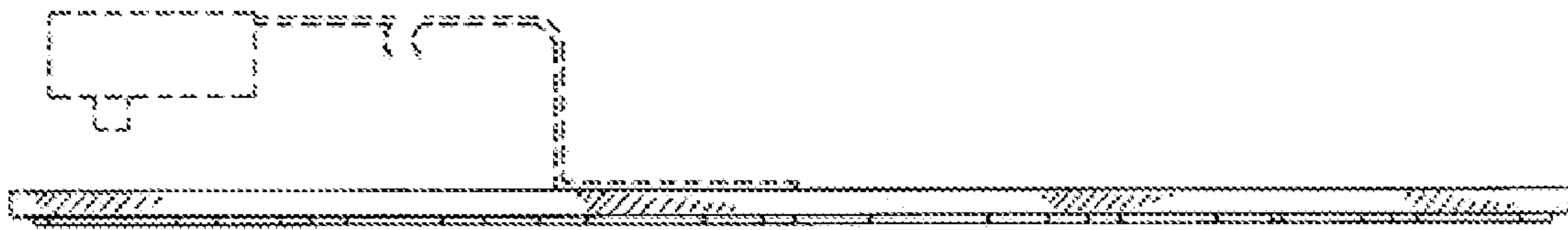


FIG. 4

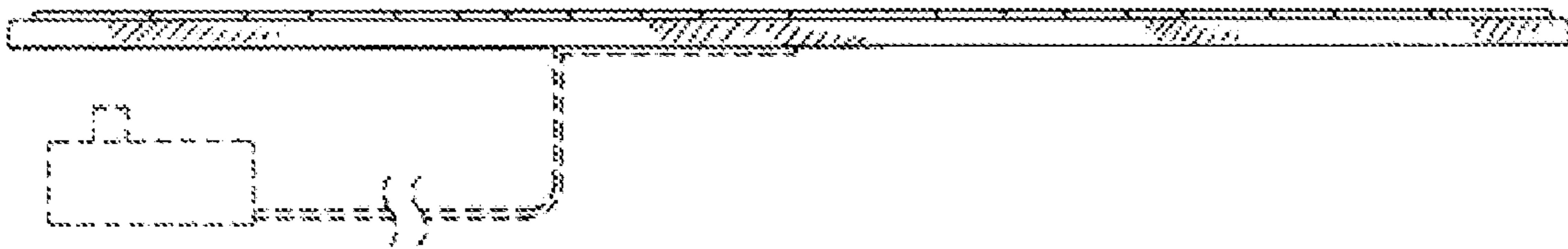


FIG. 5



FIG. 6

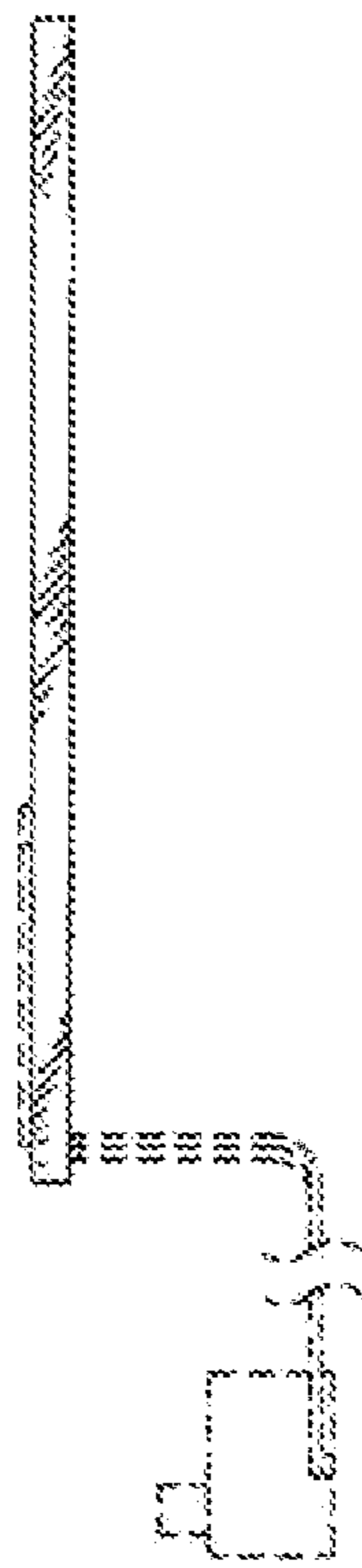


FIG. 7