



US00D562200S

(12) **United States Design Patent** (10) **Patent No.:** **US D562,200 S**  
**Lackore et al.** (45) **Date of Patent:** **\*\* Feb. 19, 2008**

(54) **VEHICLE HOOD**

(75) Inventors: **James Roger Lackore**, Appleton, WI (US); **Darren J. Chilton**, Royal Oak, MI (US); **Shaun C. Muston**, Brownstown, MI (US)

(73) Assignee: **Pierce Manufacturing Company**, Appleton, WI (US)

(\*\*) Term: **14 Years**

(21) Appl. No.: **29/272,842**

(22) Filed: **Feb. 20, 2007**

(51) **LOC (8) Cl.** ..... **12-16**

(52) **U.S. Cl.** ..... **D12/173**

(58) **Field of Classification Search** ..... D12/173,  
D12/96, 90-92; 180/69.2, 69.21, 69.22,  
180/69.25

See application file for complete search history.

(56) **References Cited**

**U.S. PATENT DOCUMENTS**

5,501,567	A	3/1996	Lanzdorf et al.	
D497,580	S *	10/2004	Aikawa	D12/169
6,883,815	B2	4/2005	Archer	
D521,425	S *	5/2006	Fukuda et al.	D12/169
7,073,847	B2	7/2006	Morrow et al.	
D540,218	S *	4/2007	Sekiguchi	D12/96
7,207,582	B2	4/2007	Siebers et al.	
2005/0253344	A1	11/2005	Trinkner et al.	
2006/0037760	A1	2/2006	Froland et al.	
2006/0065411	A1	3/2006	Linsmeier et al.	
2006/0180322	A1	8/2006	Archer et al.	

**OTHER PUBLICATIONS**

Pierce, Quantum® Chasis, bearing a designation “© 2005 Pierce Manufacturing Inc.”

Pierce, Arrow XT Chassis, bearing a designation “© 2006 Pierce Manufacturing Inc.”

Pierce, Lance® Chasis, bearing a designation “© 2005 Pierce Manufacturing Inc.”

Pierce, Enforcer® Chasis, bearing a designation “© 2005 Pierce Manufacturing Inc.”

Pierce, PUMPERS, bearing a designation “Aug. 2006”.

Pierce, Custom Chassis, bearing a designation “Aug. 2006”.  
MAINSTREET, vol. 3, No. 1, Spring 2005.

\* cited by examiner

*Primary Examiner*—Melody N. Brown

(74) *Attorney, Agent, or Firm*—Foley & Lardner LLP

(57) **CLAIM**

We claim the ornamental design for a vehicle hood, as shown and described.

**DESCRIPTION**

FIG. 1 is a perspective view a vehicle hood showing our new design;

FIG. 2 is a front view thereof;

FIG. 3 is a left side view thereof;

FIG. 4 is a right side view thereof;

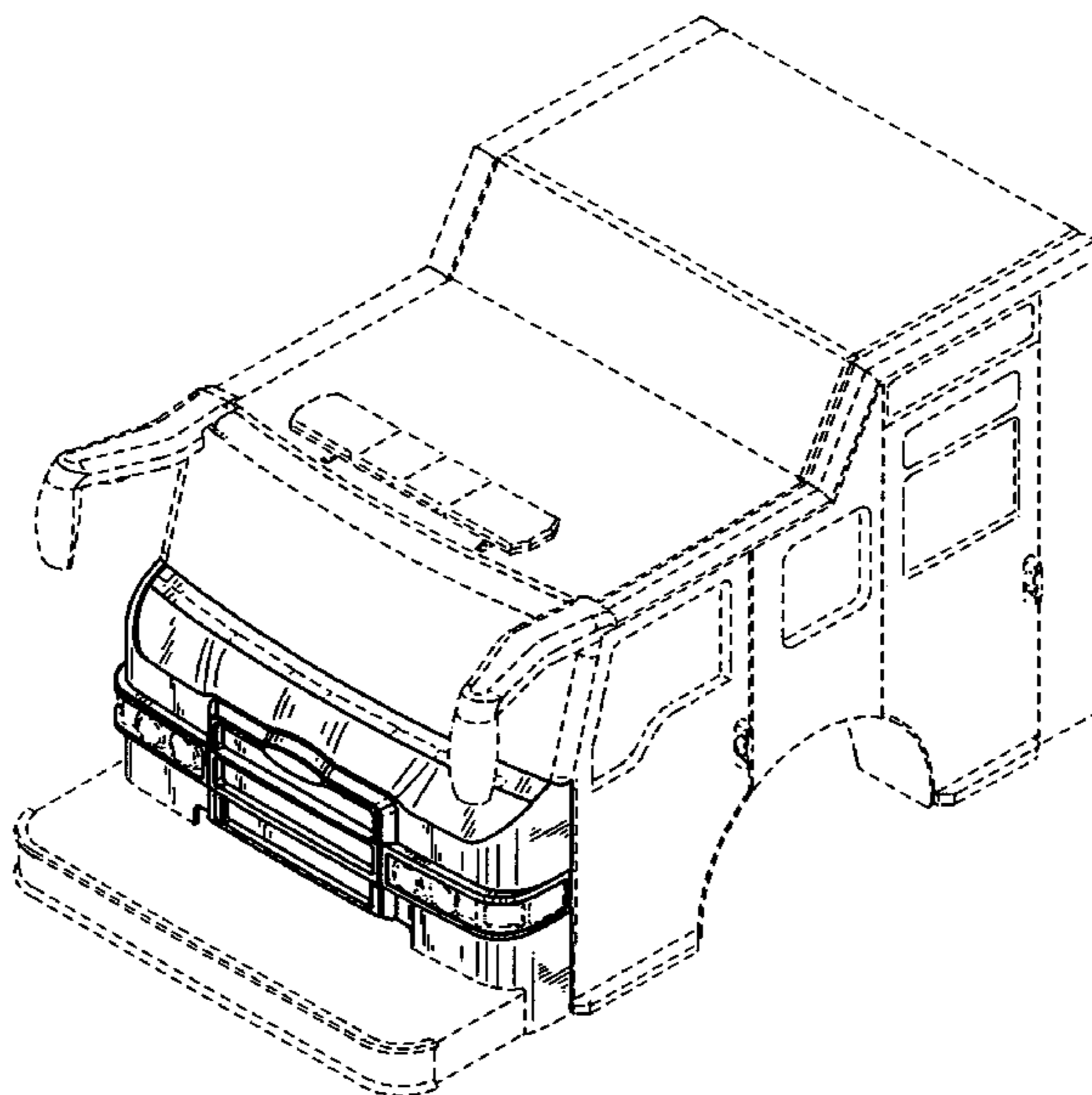
FIG. 5 is a top view thereof;

FIG. 6 is a rear view thereof; and,

FIG. 7 is a bottom view thereof.

The ornamental design which is claimed is shown in solid lines in the drawings.

**1 Claim, 7 Drawing Sheets**



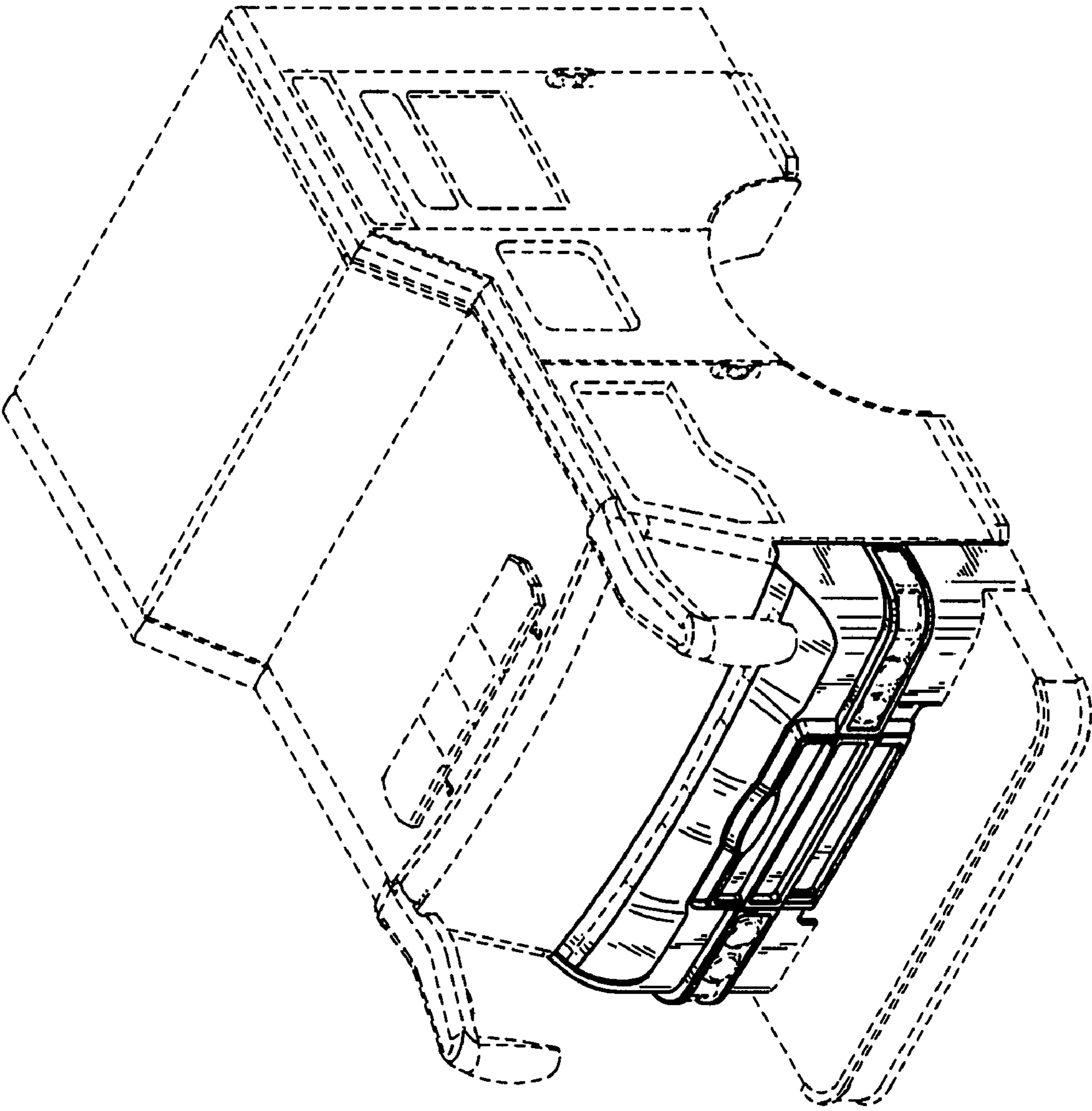


FIG. 1

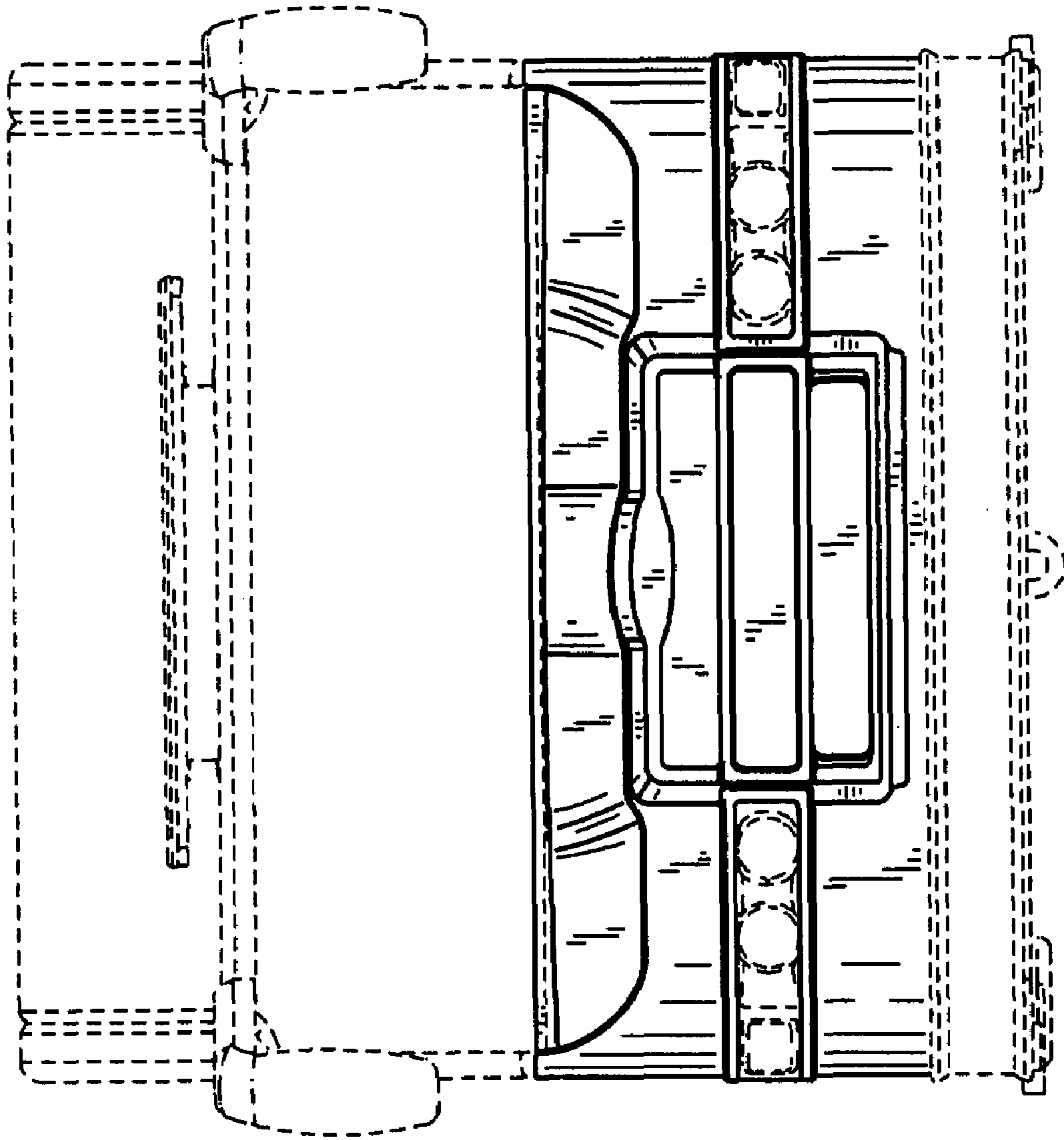


FIG. 2

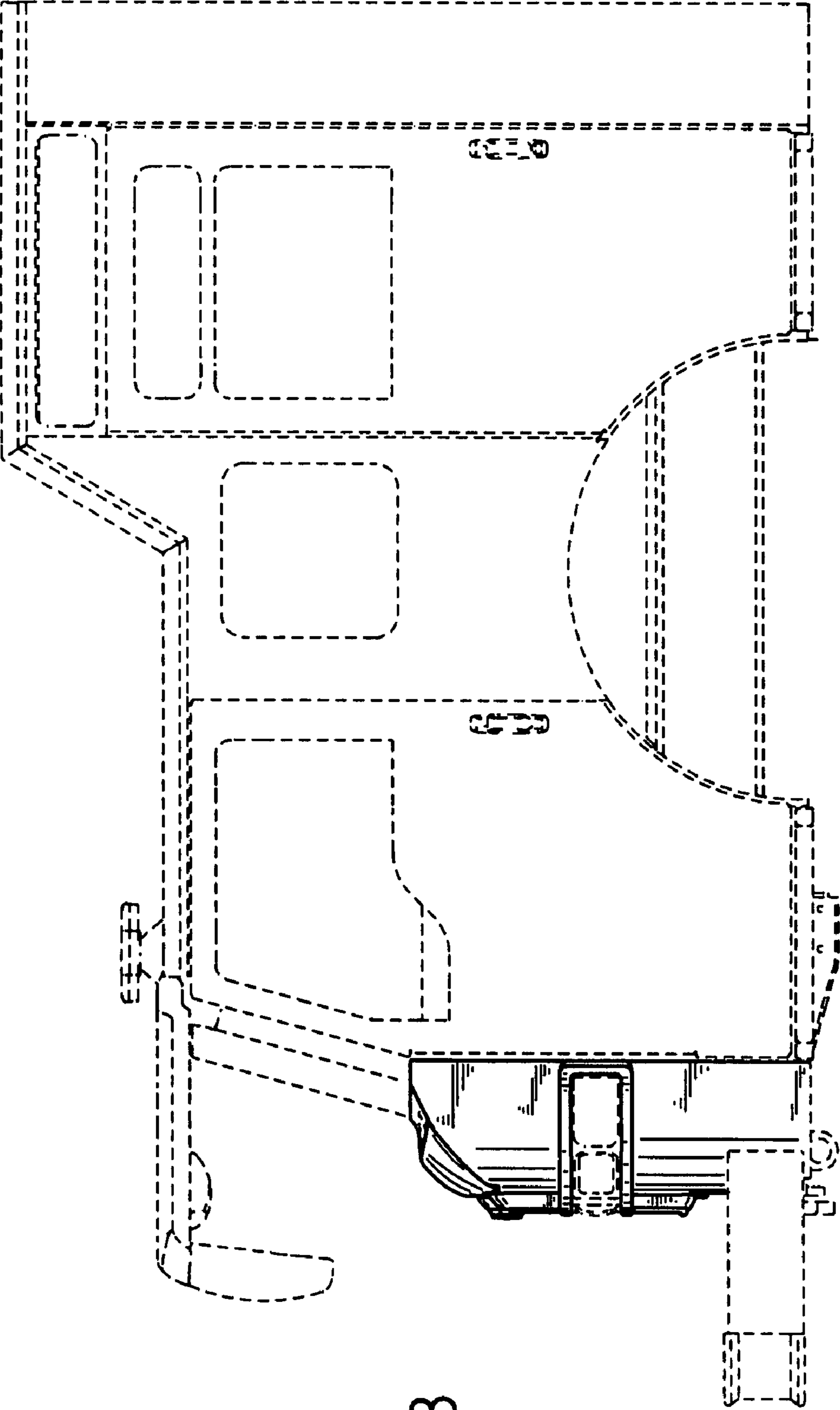


FIG. 3

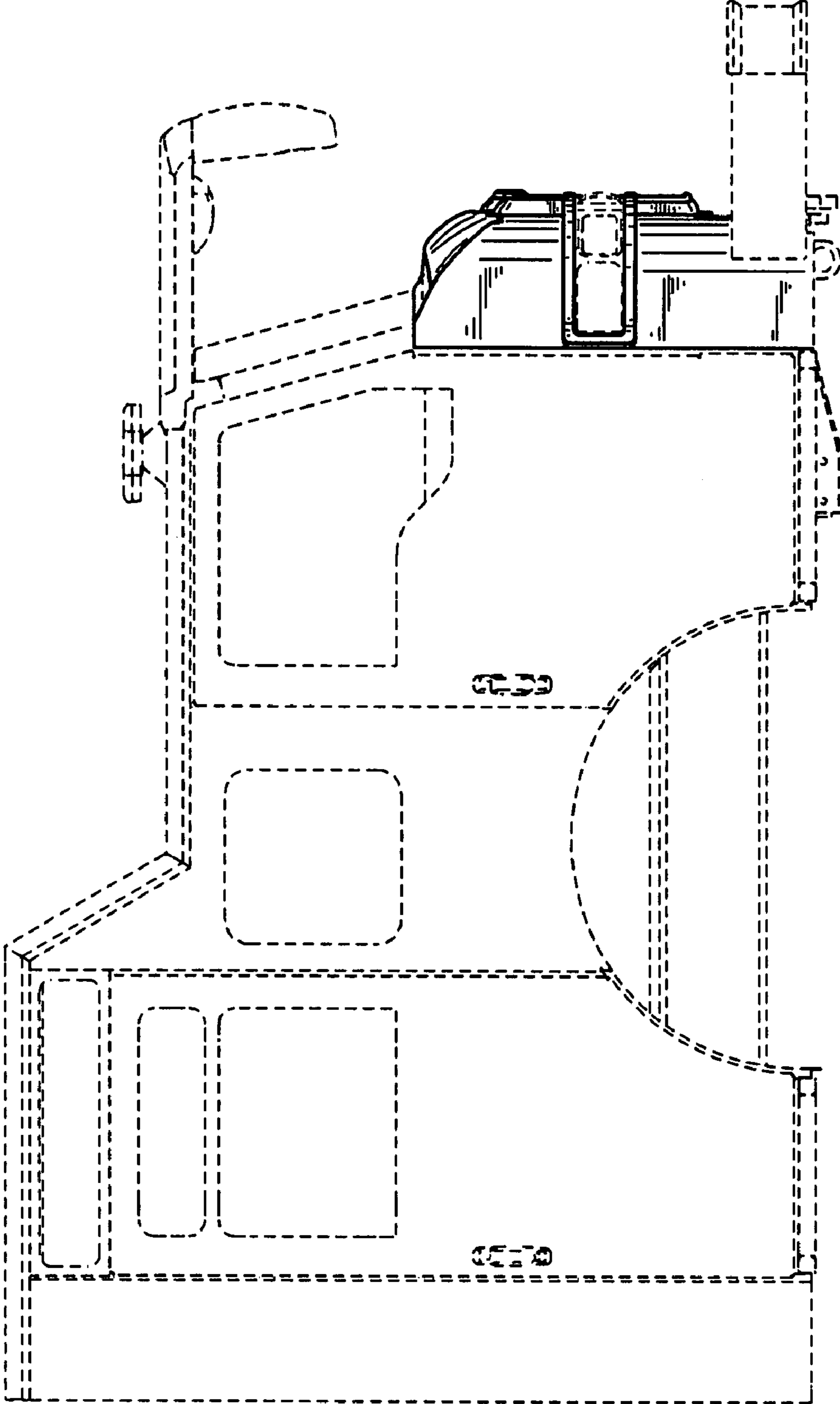


FIG. 4

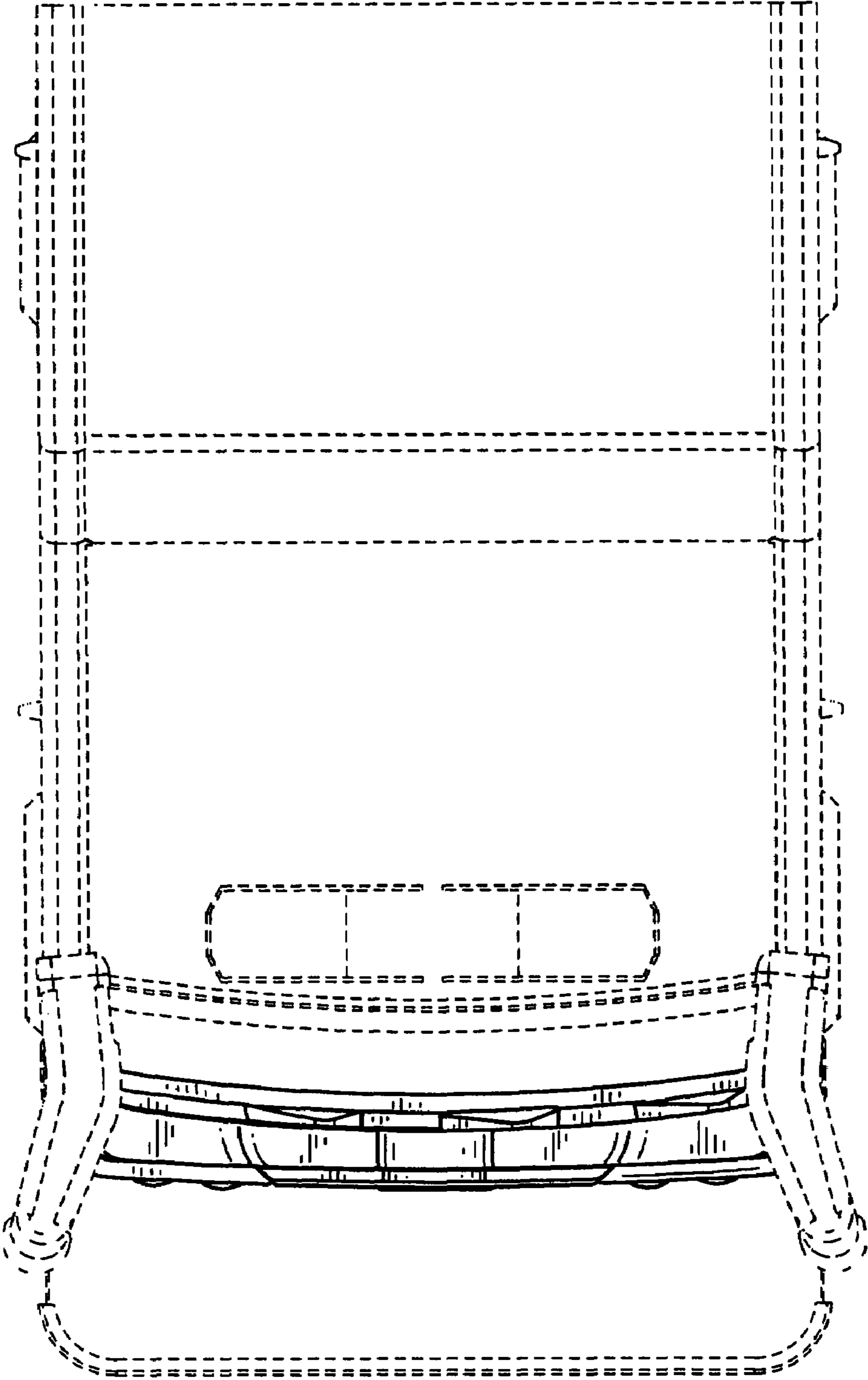


FIG. 5

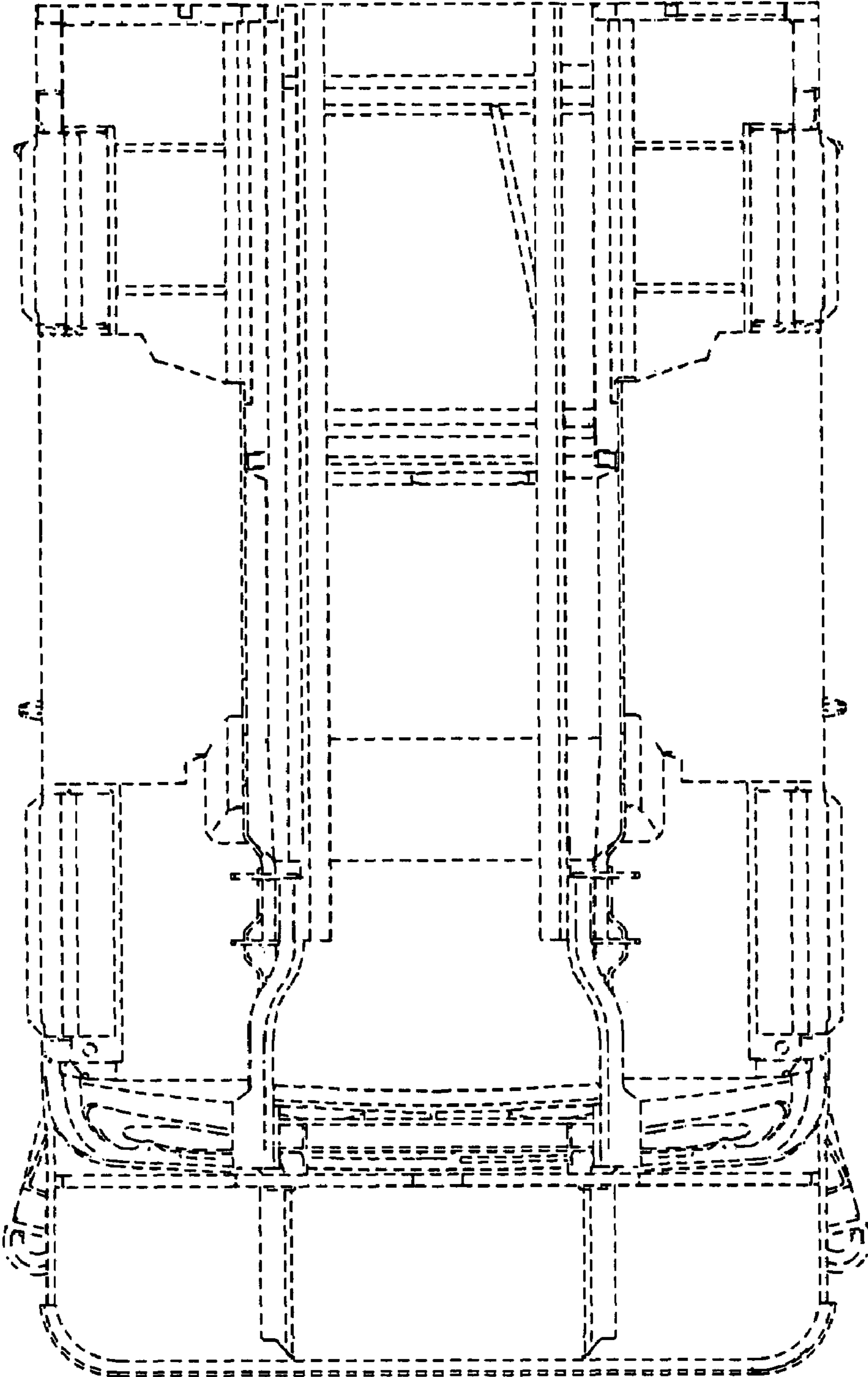


FIG. 6

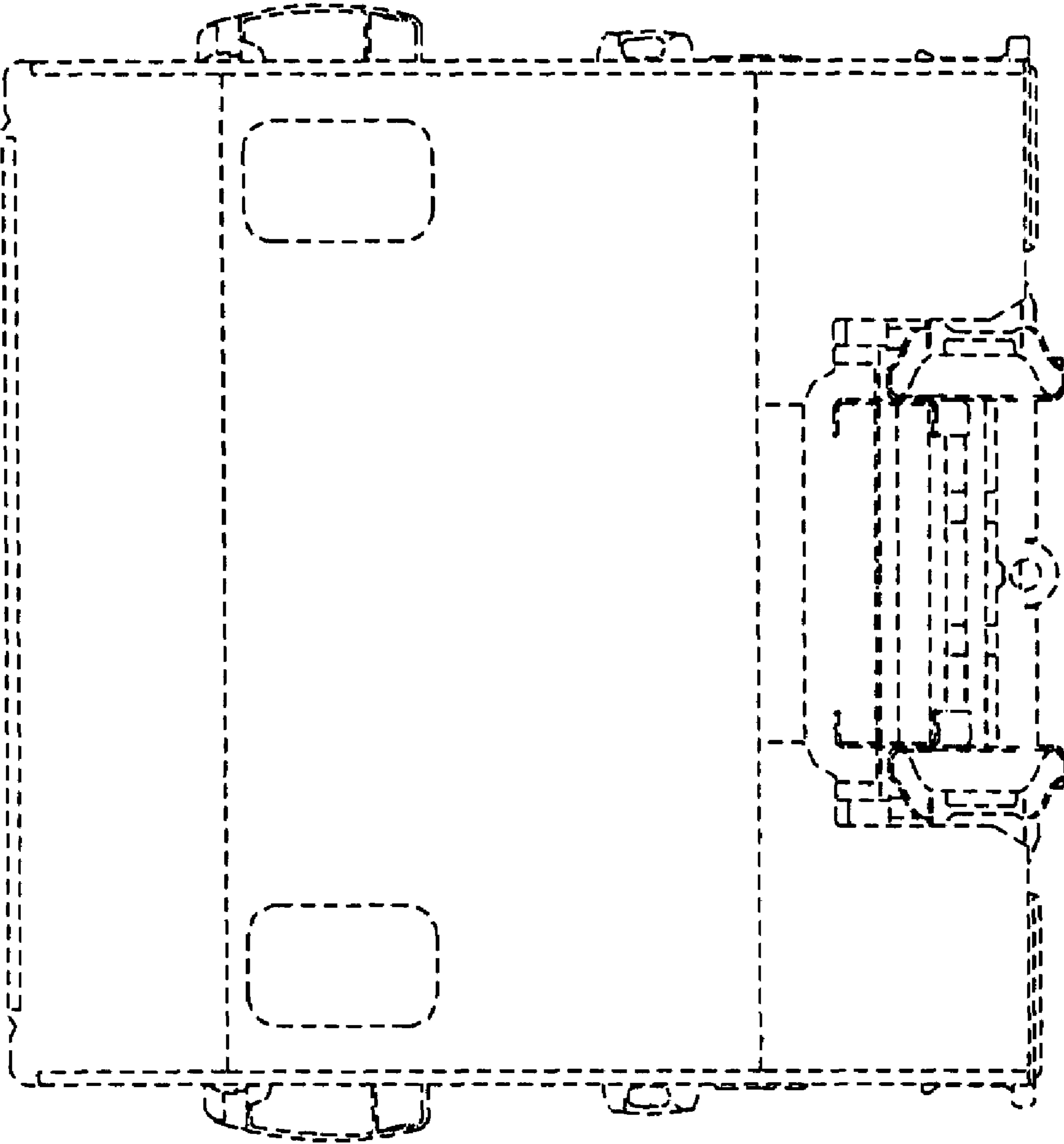


FIG. 7