



US00D562199S

(12) **United States Design Patent**  
**Ellis et al.**

(10) **Patent No.:** **US D562,199 S**  
(45) **Date of Patent:** **\*\* Feb. 19, 2008**

(54) **VEHICLE HOOD**

(57) **CLAIM**

(75) Inventors: **Michael G Ellis**, Canton, MI (US);  
**Mark B Nowery**, Southfield, MI (US);  
**Patrick J Schiavone**, Bloomfield, MI  
(US); **David R. Gillespie**, Clawson, MI  
(US)

The ornamental design for a vehicle hood, as shown and described.

(73) Assignee: **Ford Global Technologies, LLC**,  
Dearborn, MI (US)

(\*\*) Term: **14 Years**

(21) Appl. No.: **29/250,662**

(22) Filed: **Nov. 27, 2006**

(51) **LOC (8) Cl.** ..... **12-16**

(52) **U.S. Cl.** ..... **D12/173**

(58) **Field of Classification Search** ..... D12/90-92,  
D12/173, 196, 86; 180/69.21, 69.2, 69.22;  
296/24.4

See application file for complete search history.

(56) **References Cited**

**U.S. PATENT DOCUMENTS**

D489,299 S \* 5/2004 Metros et al. .... D12/173  
D493,753 S \* 8/2004 Metros et al. .... D12/173  
D520,418 S \* 5/2006 Platto et al. .... D12/173  
D520,921 S \* 5/2006 Nagura et al. .... D12/173

**OTHER PUBLICATIONS**

Ford E150 Chateau Wagon, Chicago 2001 (8 pages).  
Ford Transit 2.0 TDCI 125CH, Brussels 2003 (4 pages).

\* cited by examiner

*Primary Examiner*—Melody N. Brown  
(74) *Attorney, Agent, or Firm*—Damian Porcari

**DESCRIPTION**

FIG. 1 is a front elevational view of a vehicle hood showing our new design;

FIG. 2 is a right side elevational view thereof;

FIG. 3 is a left side elevational view thereof;

FIG. 4 is a top plan view thereof;

FIG. 5 is a bottom plan view thereof;

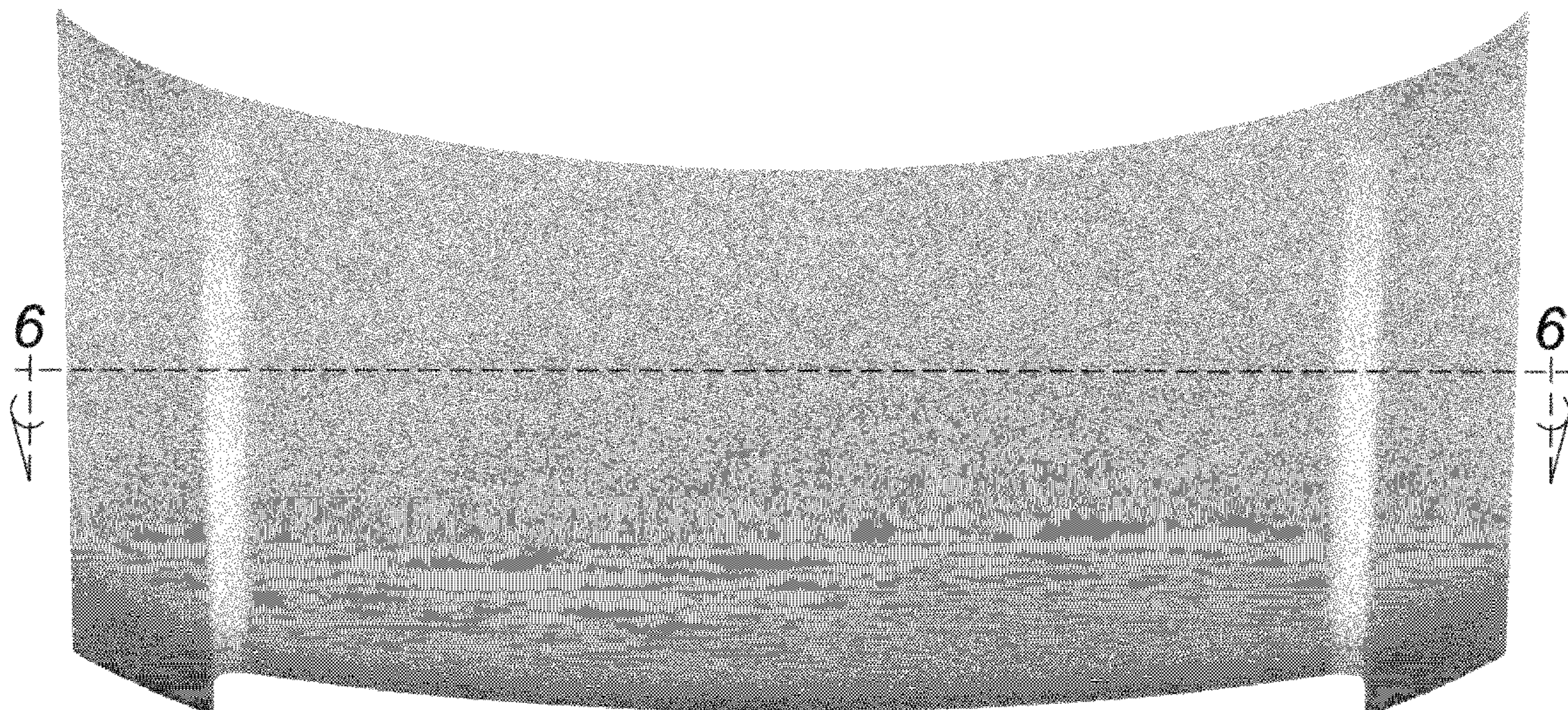
FIG. 6 is a cross sectional view taken along the line 6—6 in FIG. 4;

FIG. 7 is a cross sectional view taken along the line 7—7 in FIG. 1; and,

FIG. 8 is a rear elevational view thereof.

The vehicle hood is styled independently of adjacent vehicle panels. To the extent that any feature lines are illustrated, they are intended to illustrate the crest and valley of the feature and are not necessarily sharp bends in the part. The various views are not necessarily to scale to better illustrate detail. Shading is used to illustrate the curvature of the part and not color. Areas shown in or sounded by broken lines are not claimed. The surface normally visible when the vehicle hood is attached to a vehicle is called the “Class A” surface and is claimed. The surface not normally visible when the vehicle hood is attached to a vehicle is called the “Class B” surface and is not claimed. Any functional features of the vehicle hood are not claimed. Views are orthogonal projections unless otherwise noted.

**1 Claim, 8 Drawing Sheets**





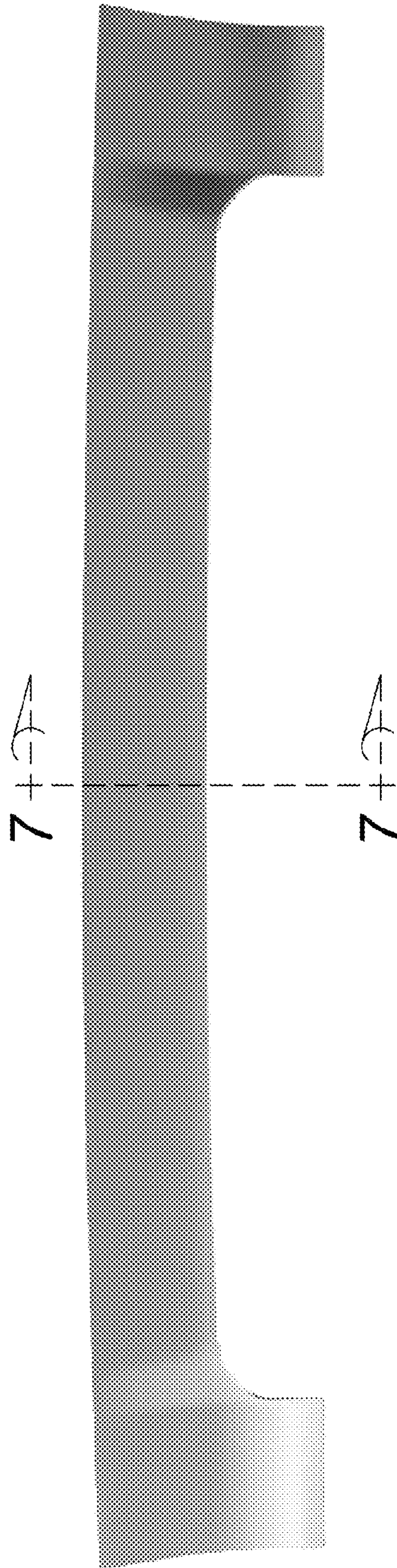


Figure 1

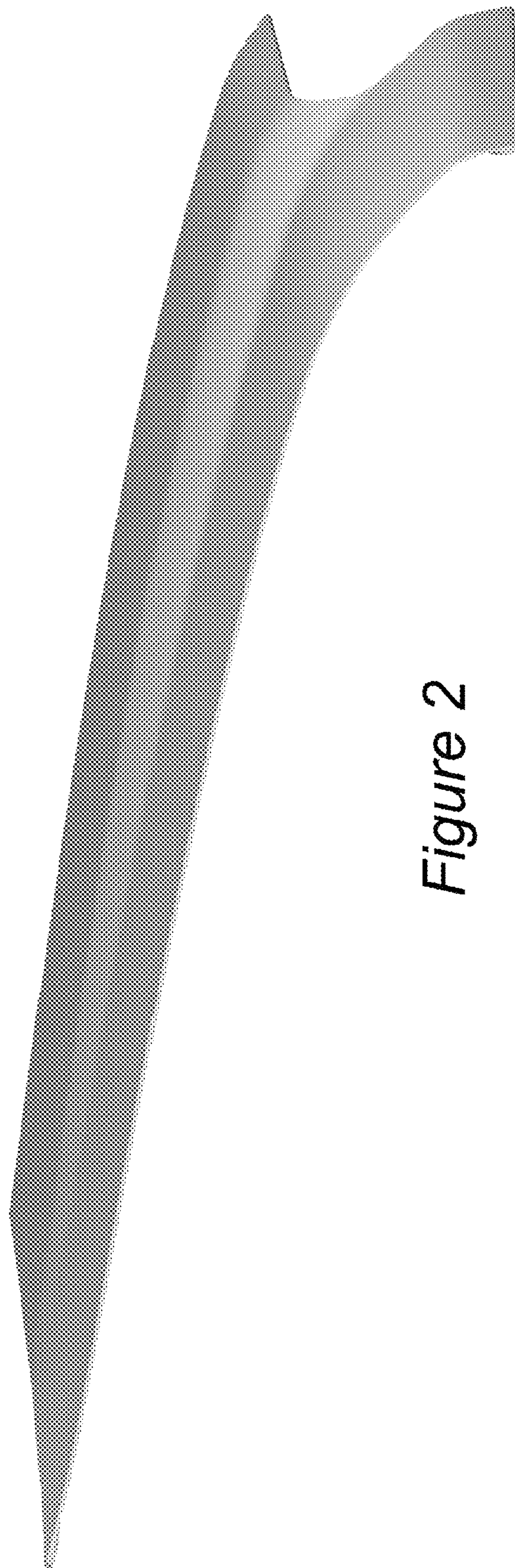
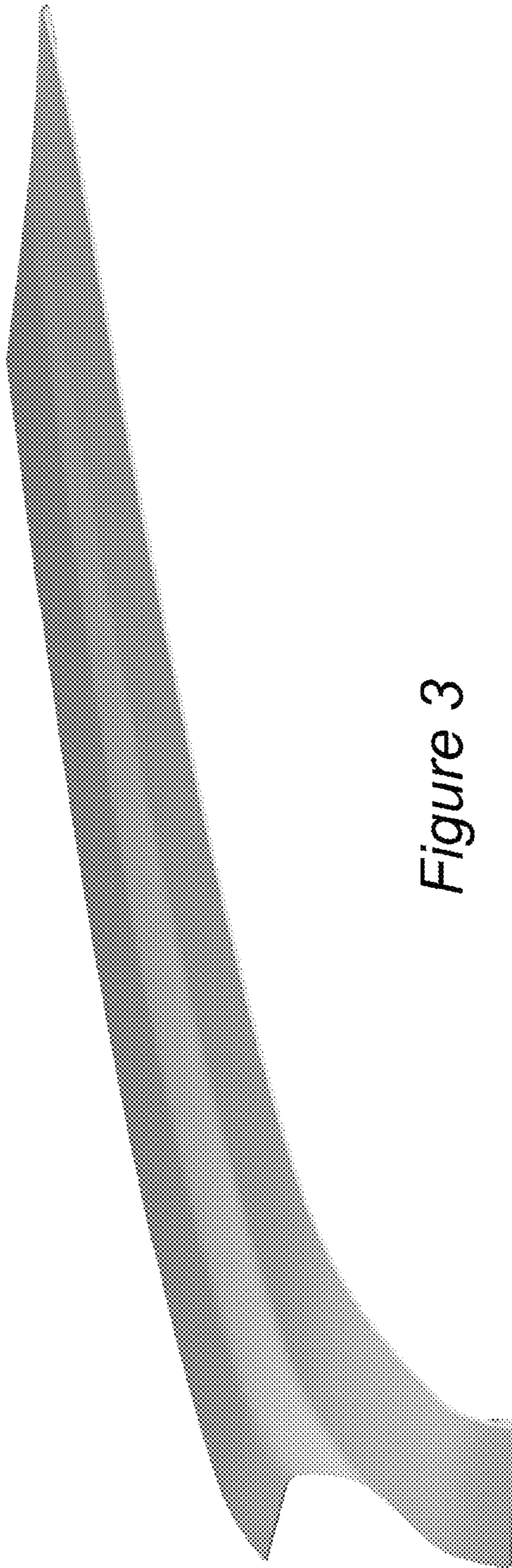


Figure 2



*Figure 3*



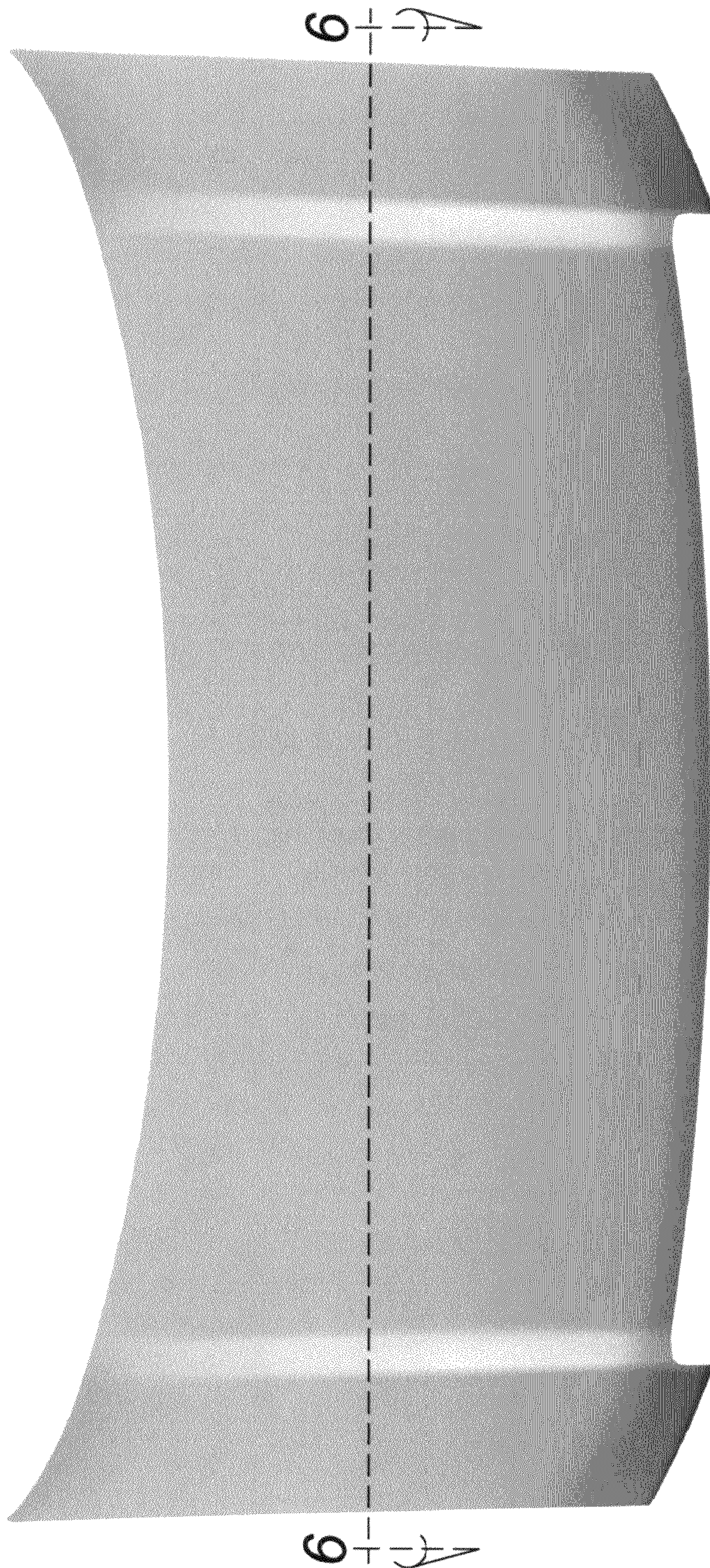


Figure 4



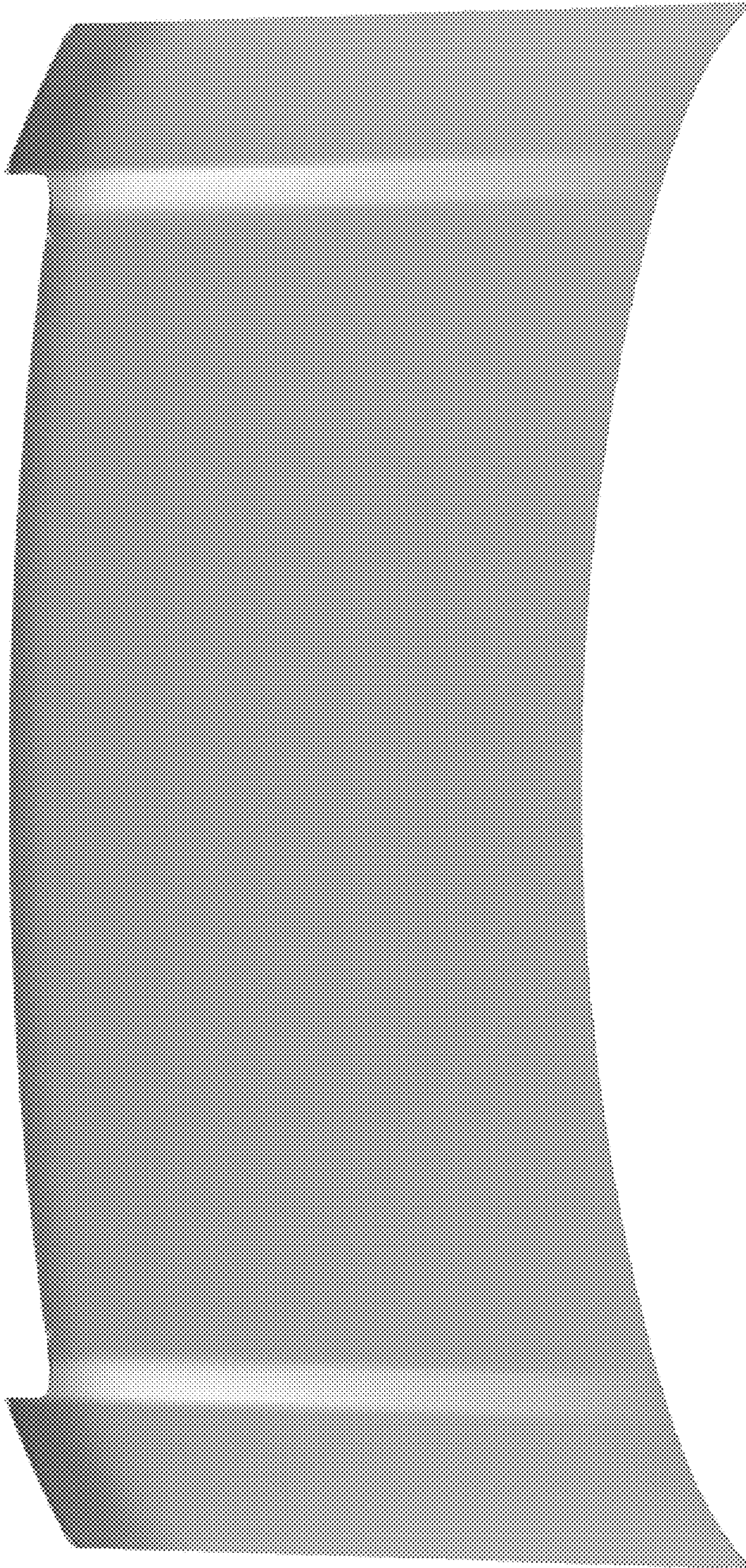


Figure 5



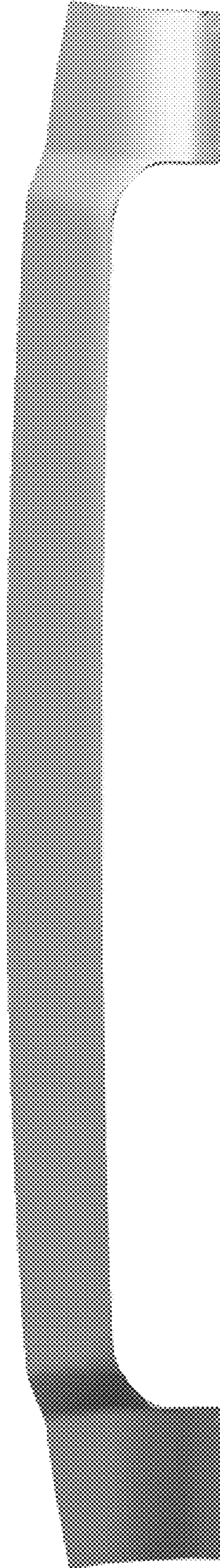


Figure 6

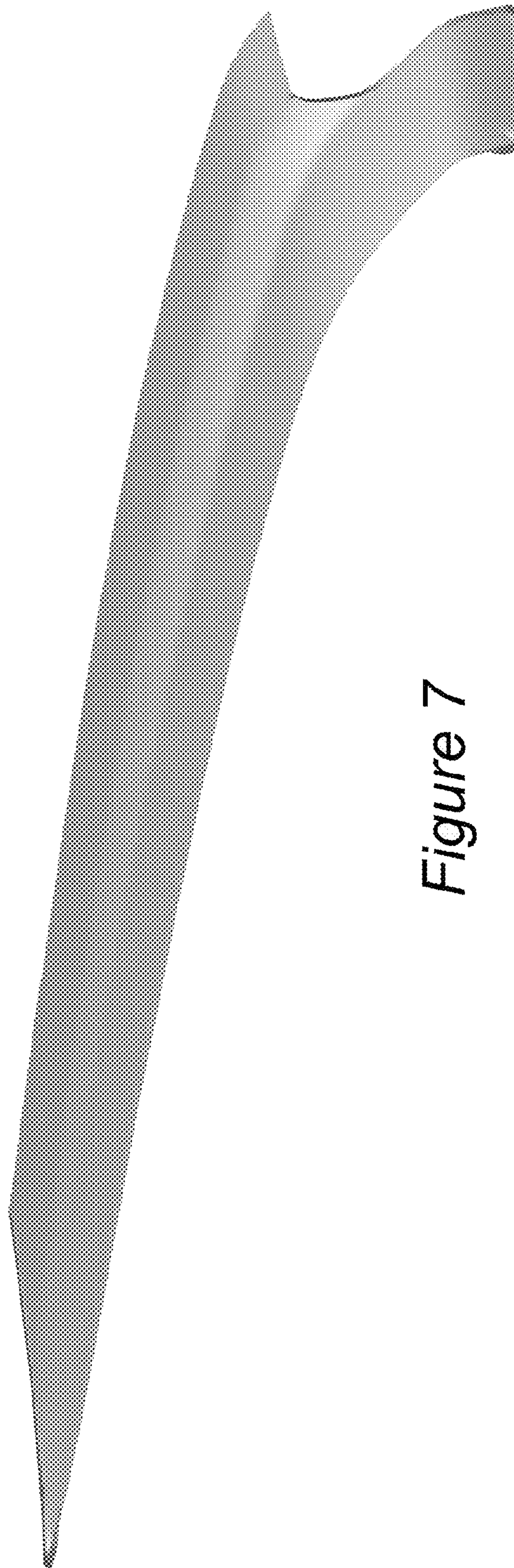


Figure 7



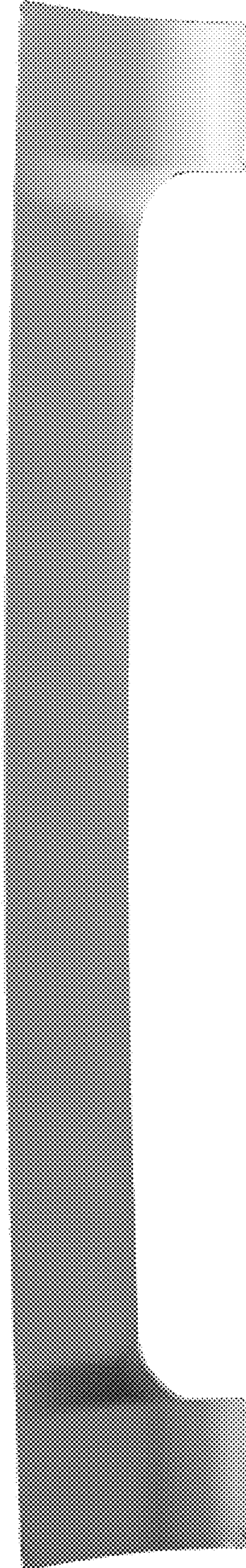


Figure 8