

US00D562198S

(12) **United States Design Patent**
Mardis

(10) **Patent No.:** **US D562,198 S**
(45) **Date of Patent:** **** Feb. 19, 2008**

(54) **MOTORCYCLE RADIATOR GUARD**

(76) Inventor: **Shawn A. Mardis**, 9927 Witham St.,
Dallas, TX (US) 75220

(**) Term: **14 Years**

(21) Appl. No.: **29/248,723**

(22) Filed: **Aug. 30, 2006**

(51) **LOC (8) Cl.** **12-16**

(52) **U.S. Cl.** **D12/171**

(58) **Field of Classification Search** D12/110,
D12/114, 126, 163-172; 180/90.6, 219;
280/160.1, 288.4, 291, 304.3, 304.4, 748,
280/755, 756, 770, 771; 293/102, 113, 115,
293/117, 120, 122

See application file for complete search history.

(56) **References Cited**

U.S. PATENT DOCUMENTS

1,473,956 A	11/1923	Eyre et al.
1,941,801 A	1/1934	Harley
3,902,740 A	9/1975	Lucler et al.
4,691,800 A	9/1987	Kadono et al.
6,419,039 B1	7/2002	Wagner
D461,157 S	8/2002	Myers et al.
6,637,787 B1	10/2003	Salvisberg
6,758,484 B1	7/2004	Rice
6,896,278 B1	5/2005	Hepburn
6,910,704 B1	6/2005	Celiceo et al.
D513,719 S	1/2006	Egan
6,981,713 B2	1/2006	Lindby

6,994,150 B1	2/2006	Kline
7,025,368 B2	4/2006	Barnes
7,055,843 B2	6/2006	Kan et al.
2004/0066618 A1	4/2004	Layton et al.

FOREIGN PATENT DOCUMENTS

JP 03109189 A * 5/1991

* cited by examiner

Primary Examiner—Cathron Brooks

Assistant Examiner—Linda Brooks

(74) *Attorney, Agent, or Firm*—Dennis T. Griggs

(57) **CLAIM**

The ornamental design for a motorcycle radiator guard, as shown and described.

DESCRIPTION

FIG. 1 is a perspective view of a motorcycle radiator guard showing my new design;

FIG. 2 is a front elevational view thereof;

FIG. 3 is a rear elevational view thereof;

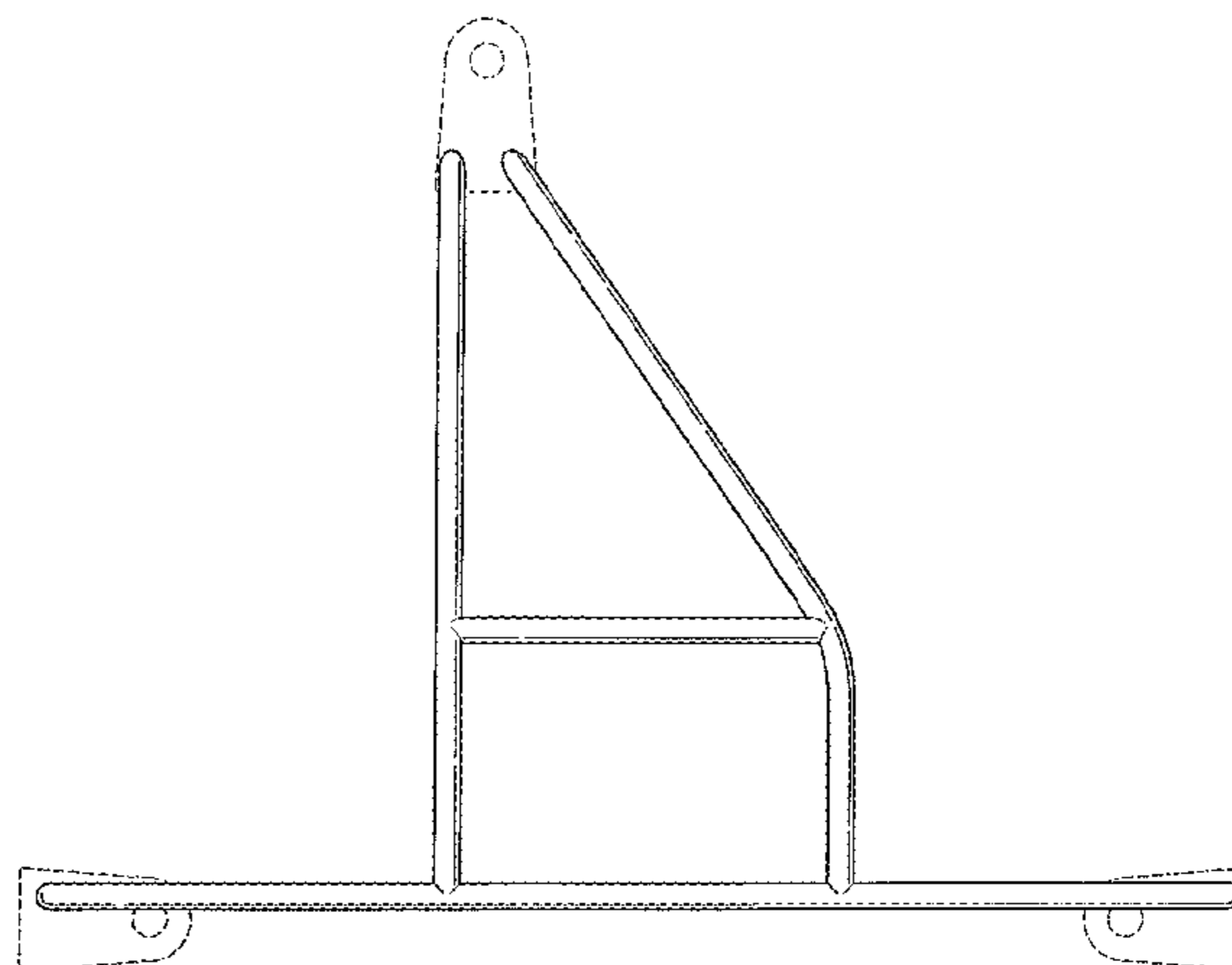
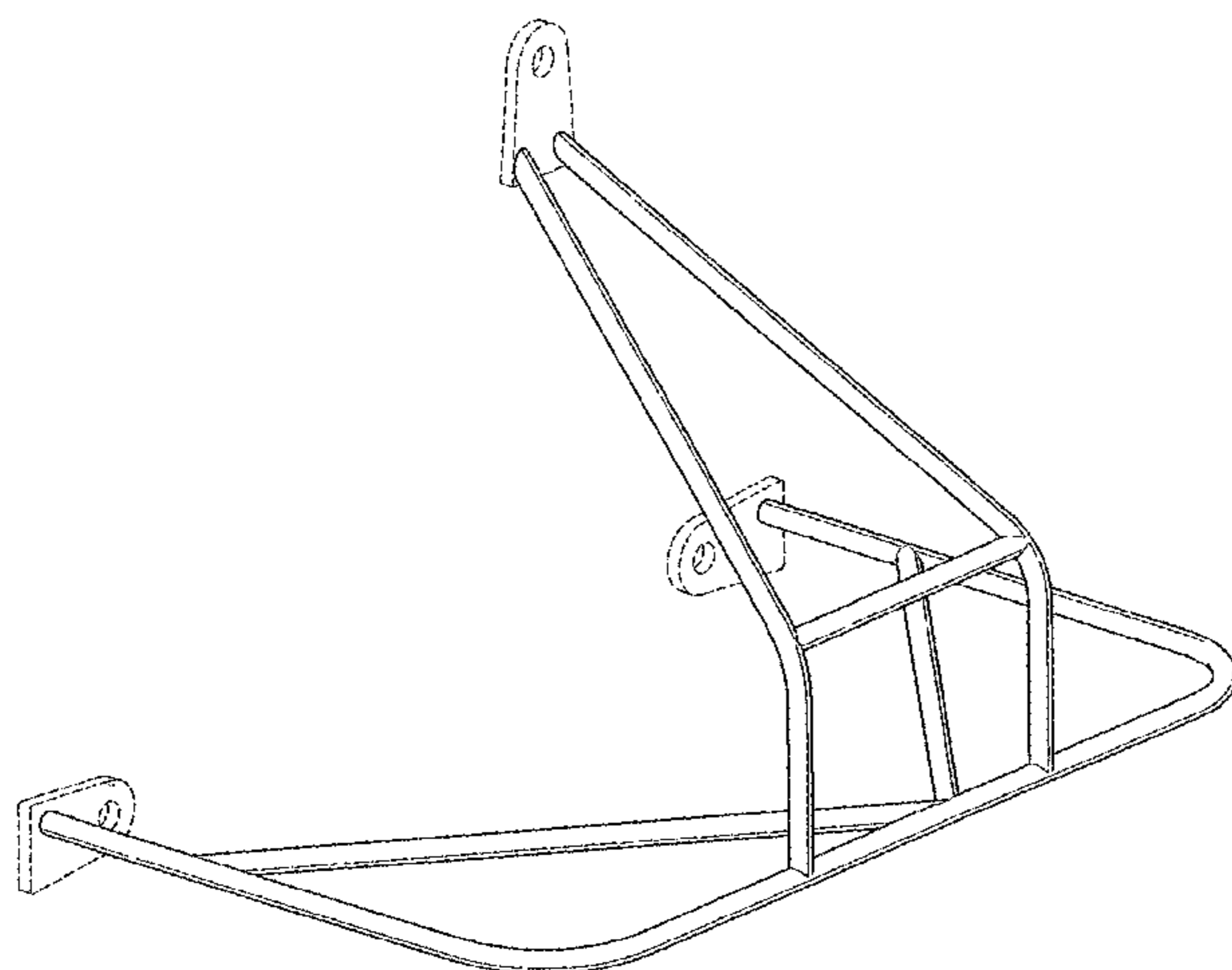
FIG. 4 is a left side elevational view thereof, the right side view being a mirror image;

FIG. 5 is a top plan view thereof; and,

FIG. 6 is a bottom plan view thereof.

The dashed lines are shown for environmental purposes only and form no part of the claimed design.

1 Claim, 6 Drawing Sheets



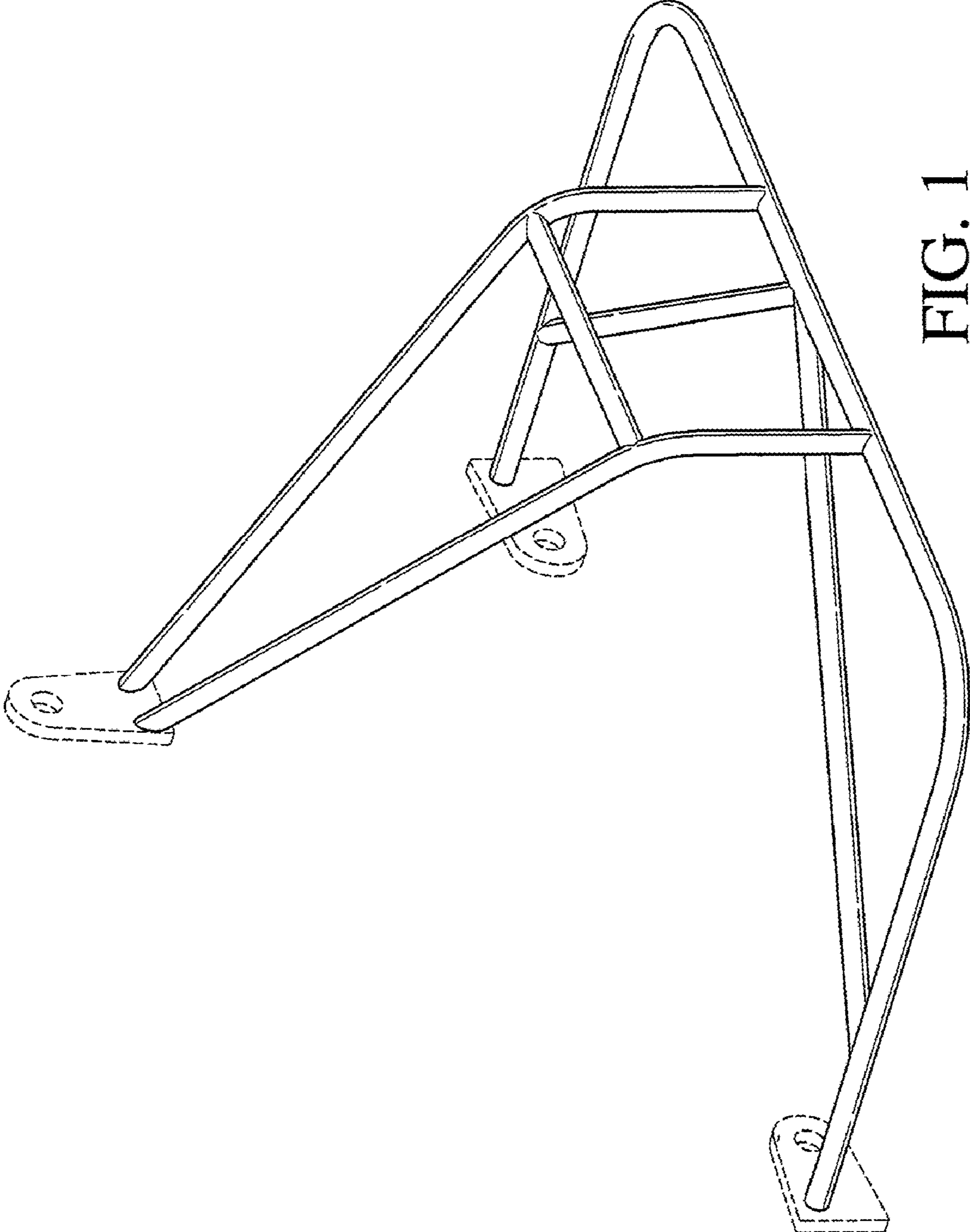


FIG. 1

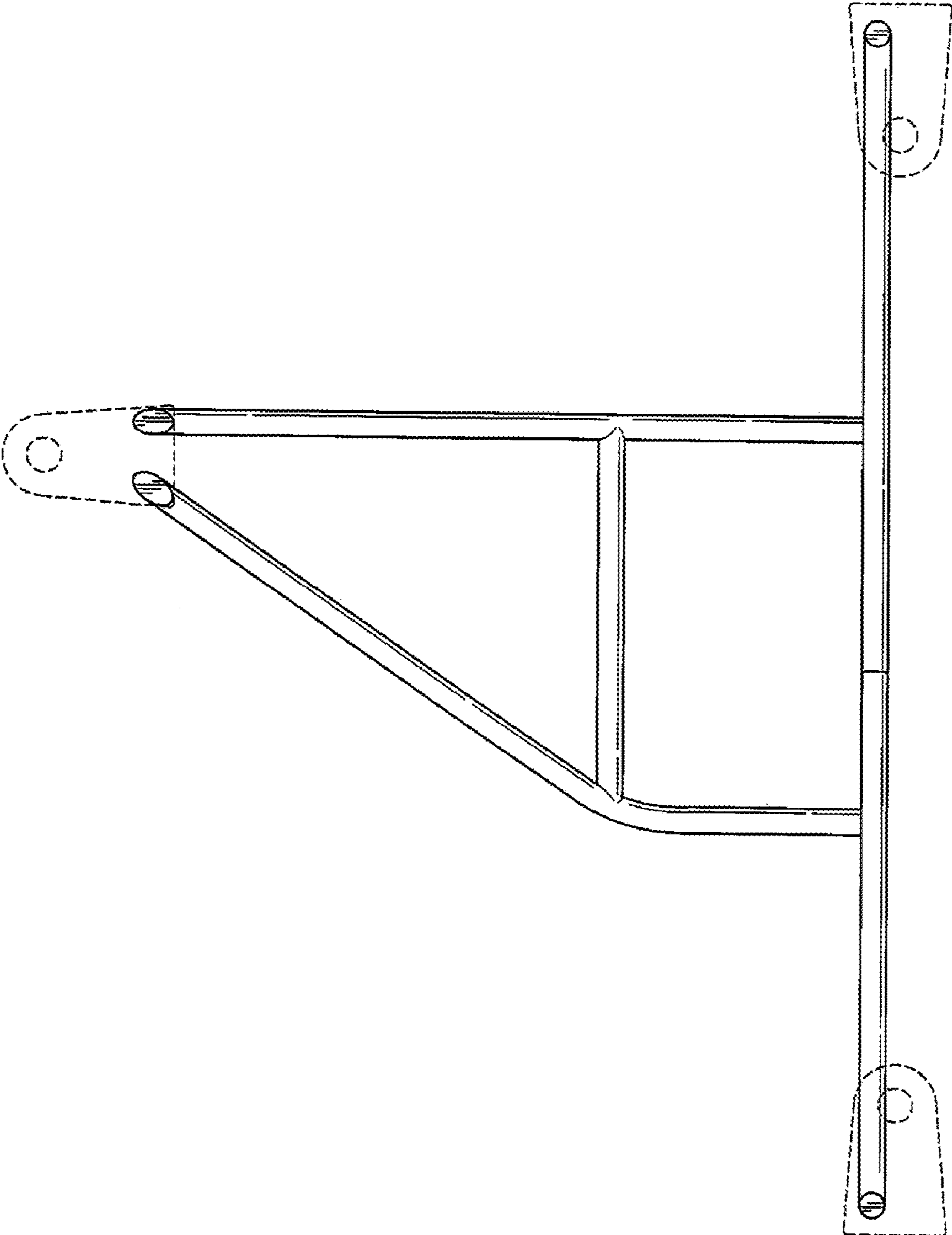


FIG. 2

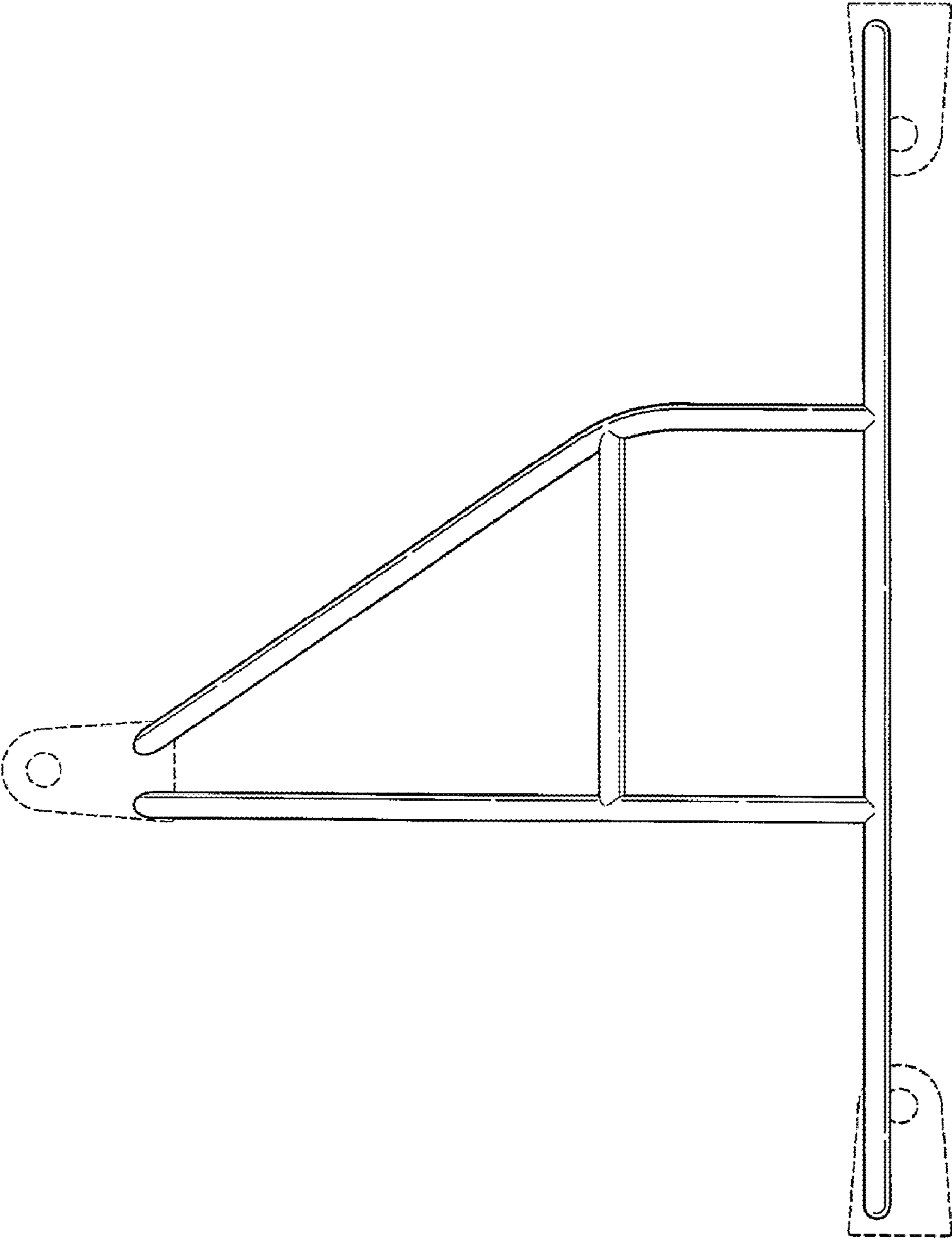


FIG. 3

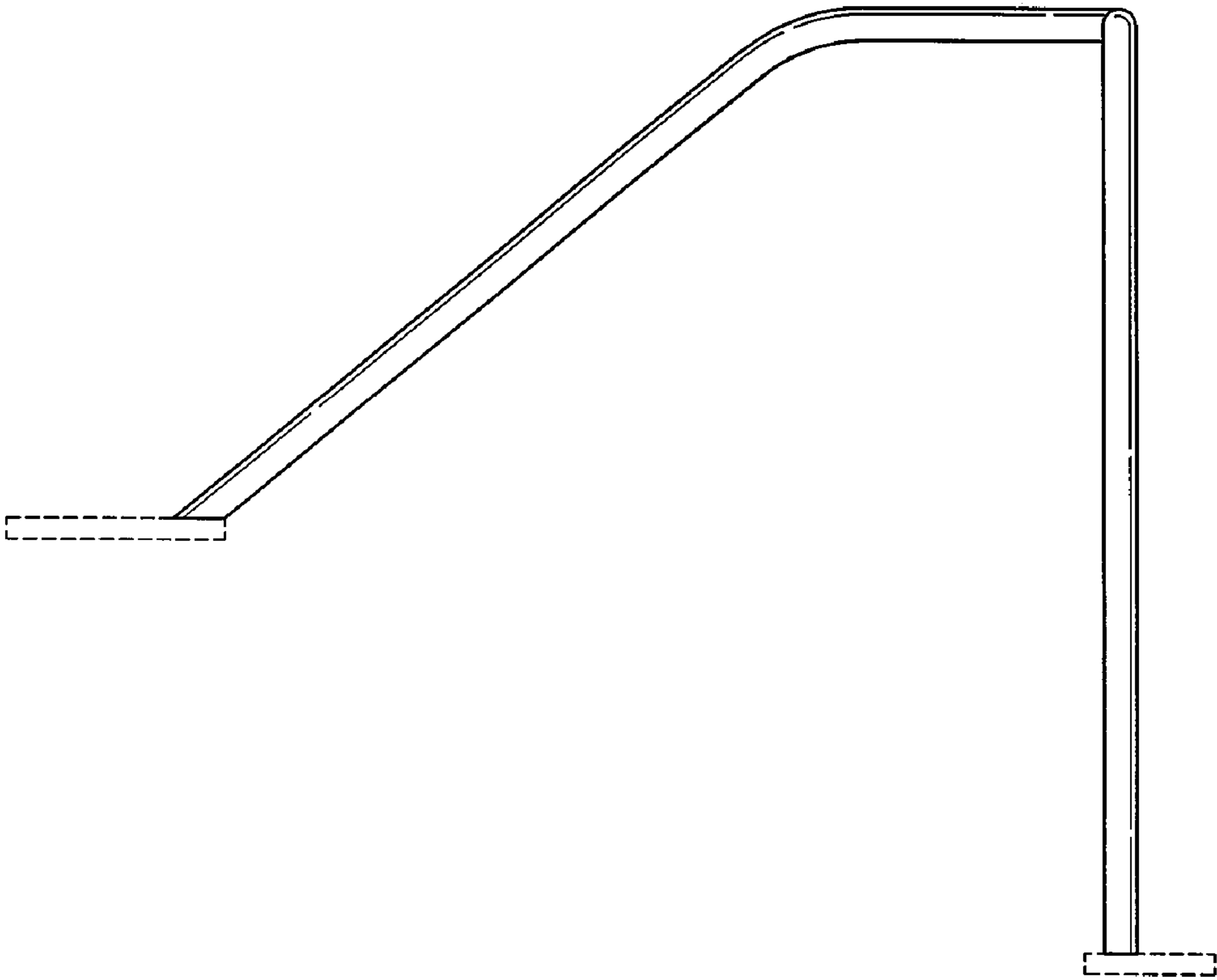


FIG. 4

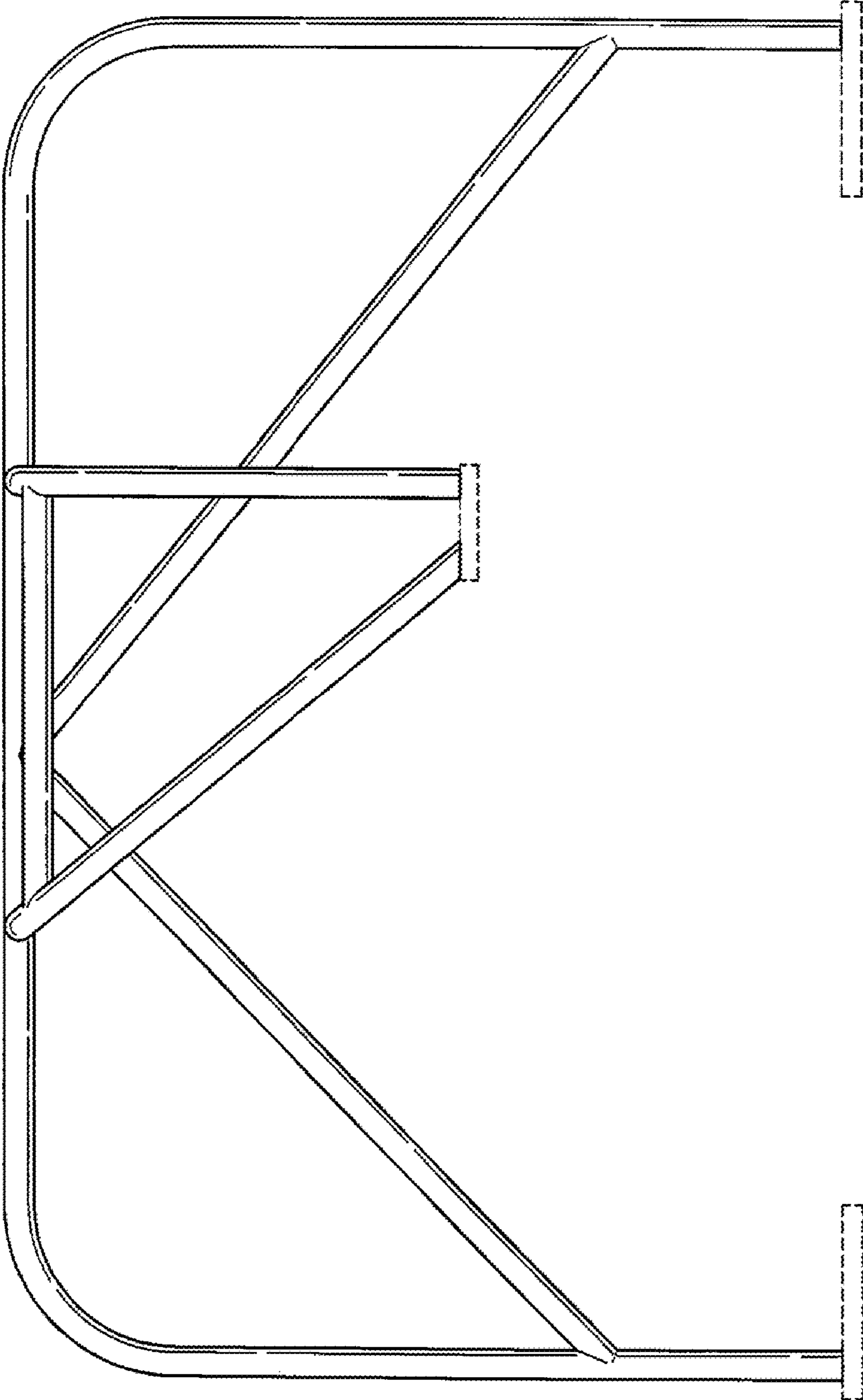


FIG. 5

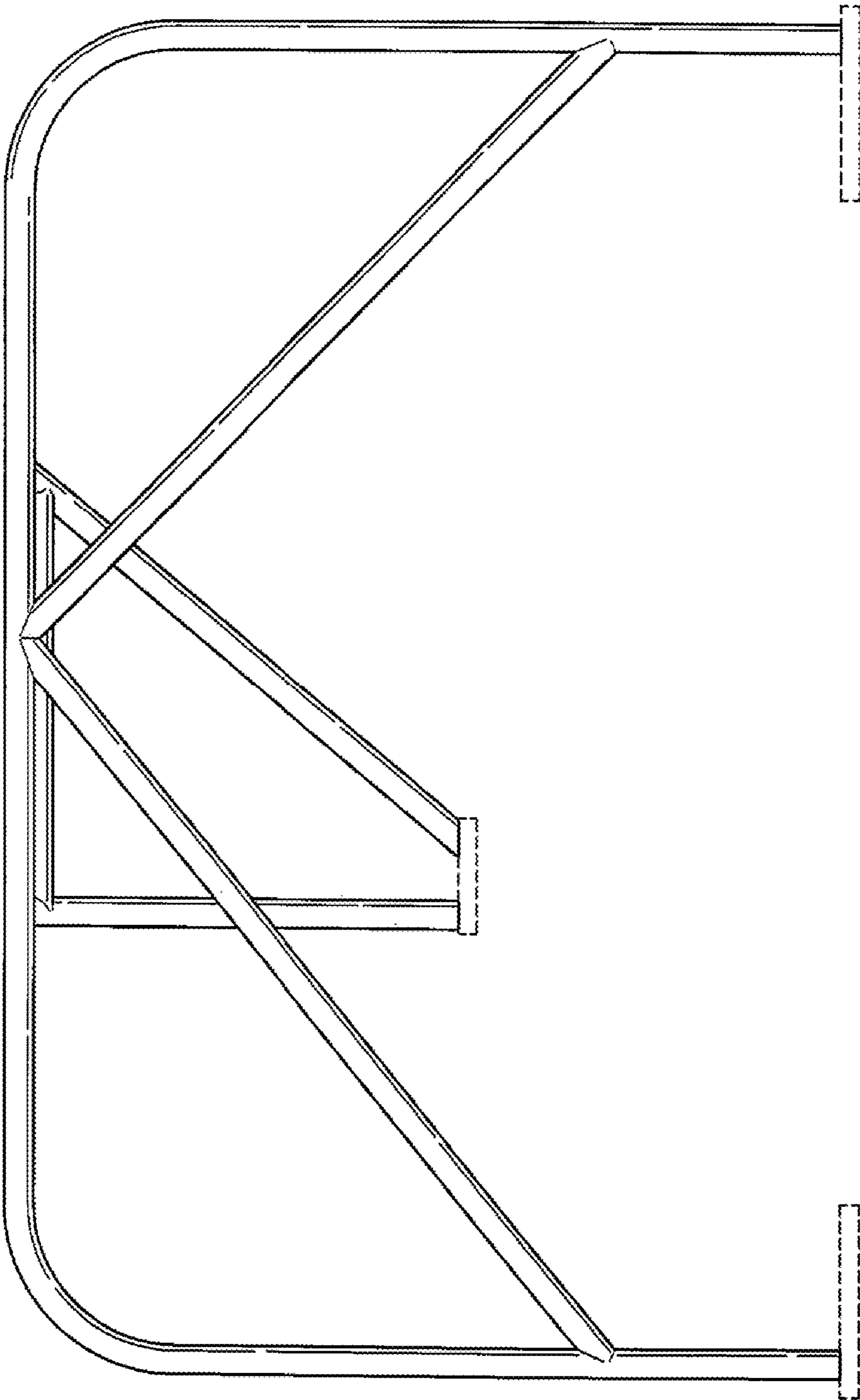


FIG. 6