



US00D562193S

(12) **United States Design Patent**
Platto et al.

(10) **Patent No.:** **US D562,193 S**
(45) **Date of Patent:** **** Feb. 19, 2008**

(54) **VEHICLE GRILLE**

(75) Inventors: **Gordon Platto**, Troy, MI (US); **David Mahoney**, Orchard Lake, MI (US); **Xitij Mistry**, Ann Arbor, MI (US); **Patrick Schiavone**, Bloomfield Village, MI (US); **Peter Horbury**, Bloomfield Hills, MI (US)

(73) Assignee: **Ford Global Technologies, LLC**, Dearborn, MI (US)

(**) Term: **14 Years**

(21) Appl. No.: **29/275,766**

(22) Filed: **Jan. 5, 2007**

(51) **LOC (8) Cl.** **12-16**

(52) **U.S. Cl.** **D12/163**

(58) **Field of Classification Search** D12/163,
D12/171, 90-92, 216, 169, 196; 180/68.1,
180/68.6; 296/193.11; 293/102, 113, 115
See application file for complete search history.

(56) **References Cited**

U.S. PATENT DOCUMENTS

D523,791 S * 6/2006 Pfeiffer D12/163
D525,912 S * 8/2006 Perkins D12/92
D531,555 S * 11/2006 Hooper D12/163

D533,119 S 12/2006 Schiavone et al.
D543,899 S * 6/2007 Nicholas et al. D12/92
D545,729 S * 7/2007 Lee et al. D12/163
D547,239 S * 7/2007 Murakawa D12/92

* cited by examiner

Primary Examiner—Melody N. Brown
(74) *Attorney, Agent, or Firm*—Frank A. MacKenzie;
Brooks Kushman P.C.

(57) **CLAIM**

The ornamental design for a vehicle grille, as shown and described.

DESCRIPTION

FIG. 1 is a front perspective view of a first embodiment vehicle grille in accordance with the present invention;

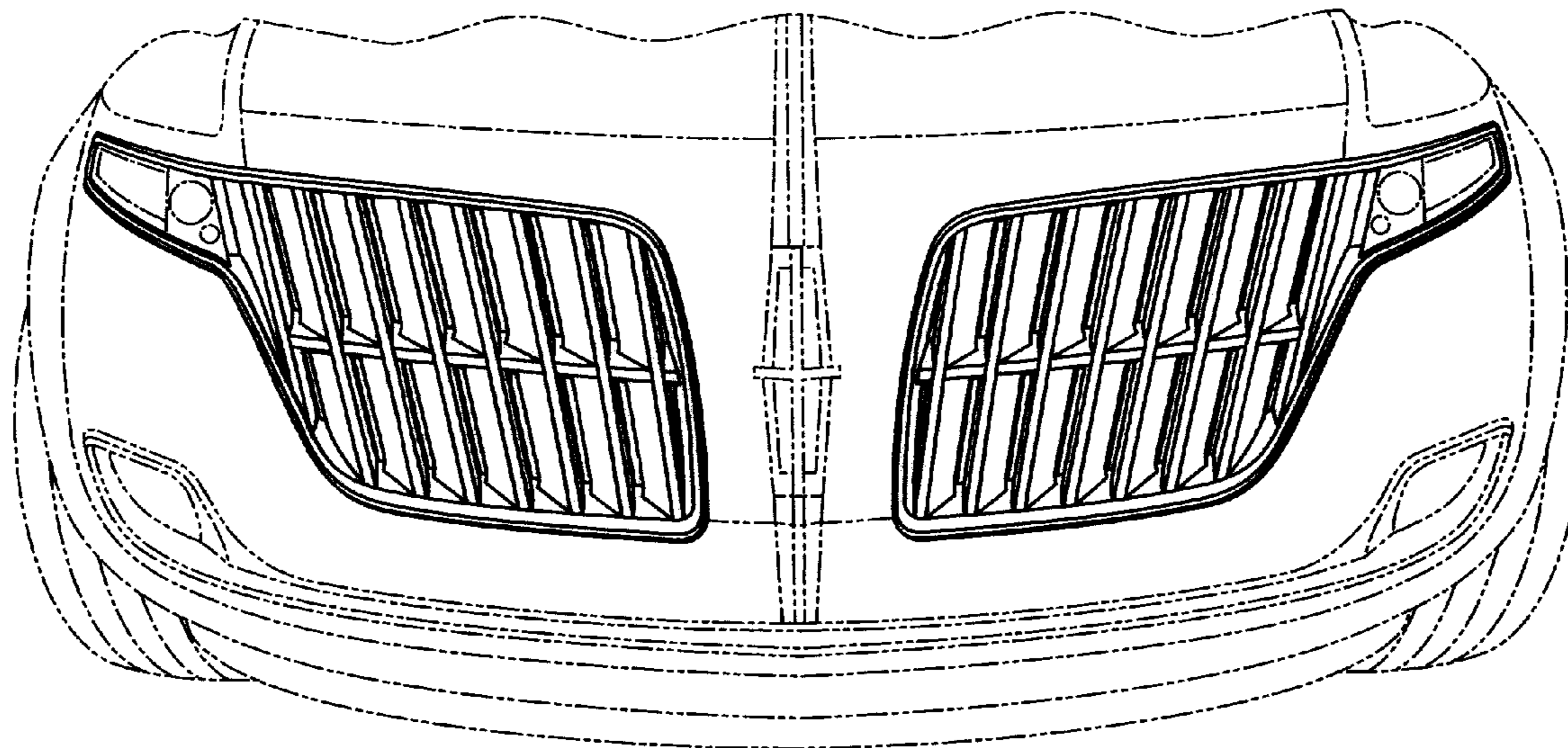
FIG. 2 is a left side perspective view of the vehicle grille of FIG. 1;

FIG. 3 is a front/right perspective view of the vehicle grille of FIG. 1; and,

FIG. 4 is a front perspective view of a second embodiment vehicle grille in accordance with the present invention.

The broken lines are for illustrative purposes only and form no part of the claimed design.

1 Claim, 3 Drawing Sheets



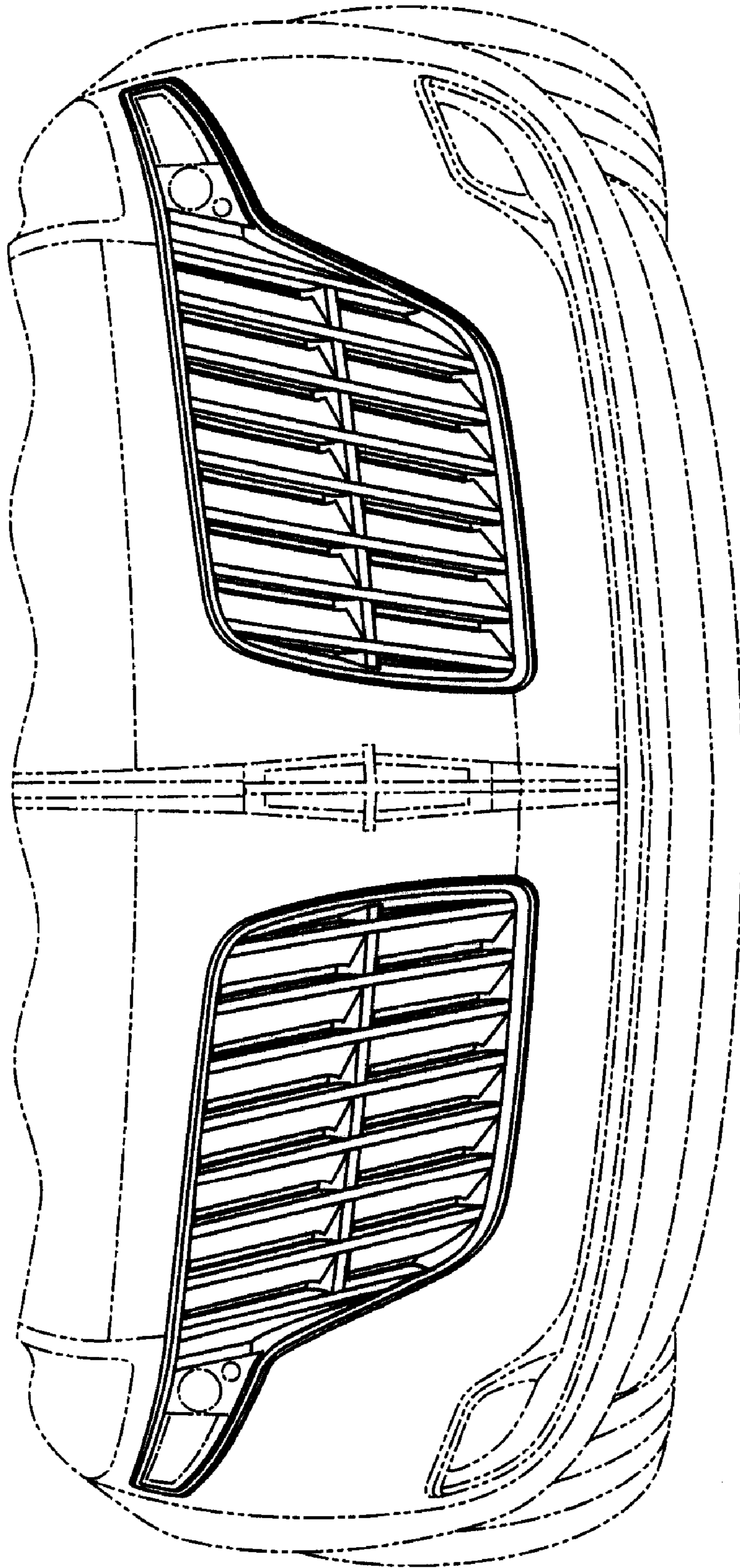


Fig. 1

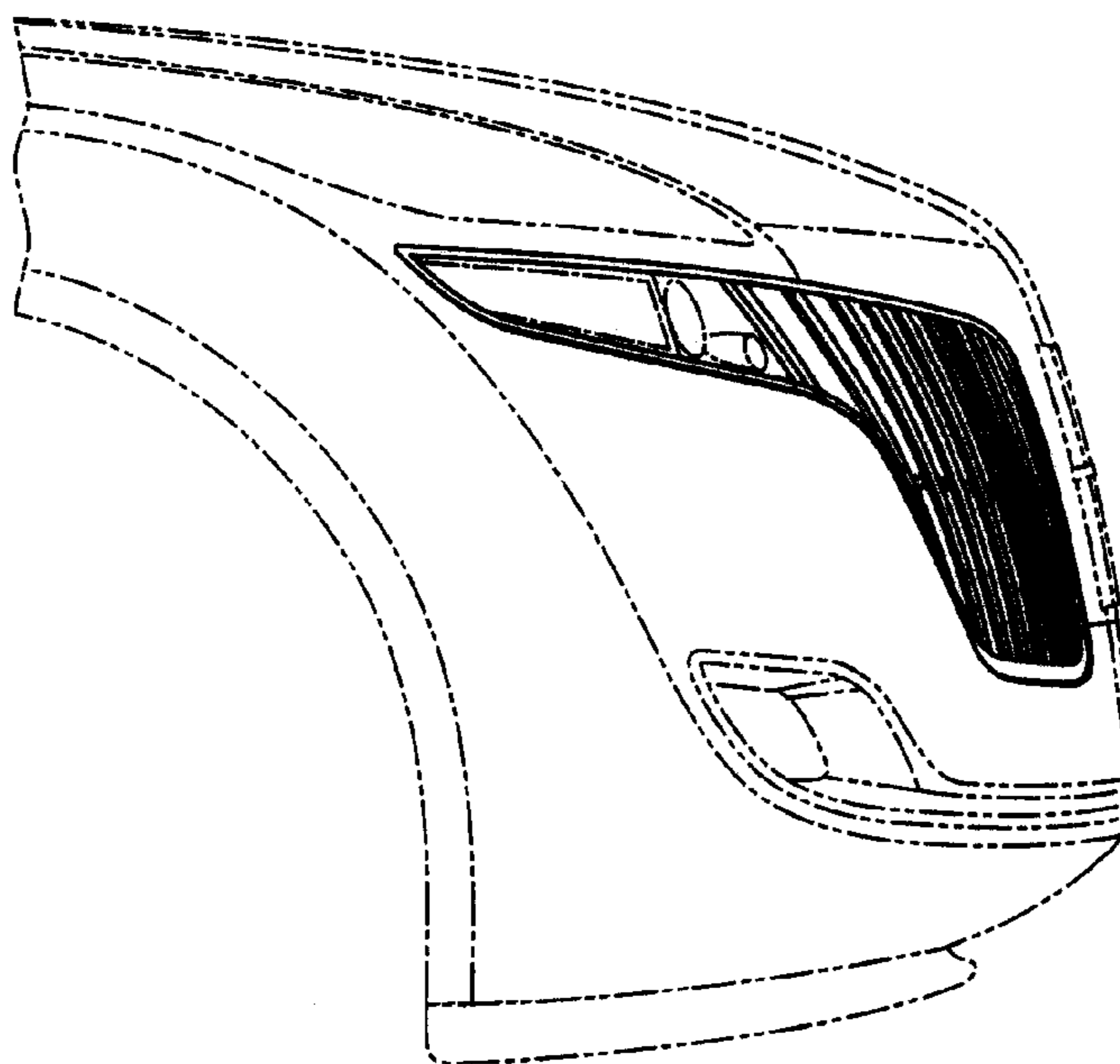


Fig. 2

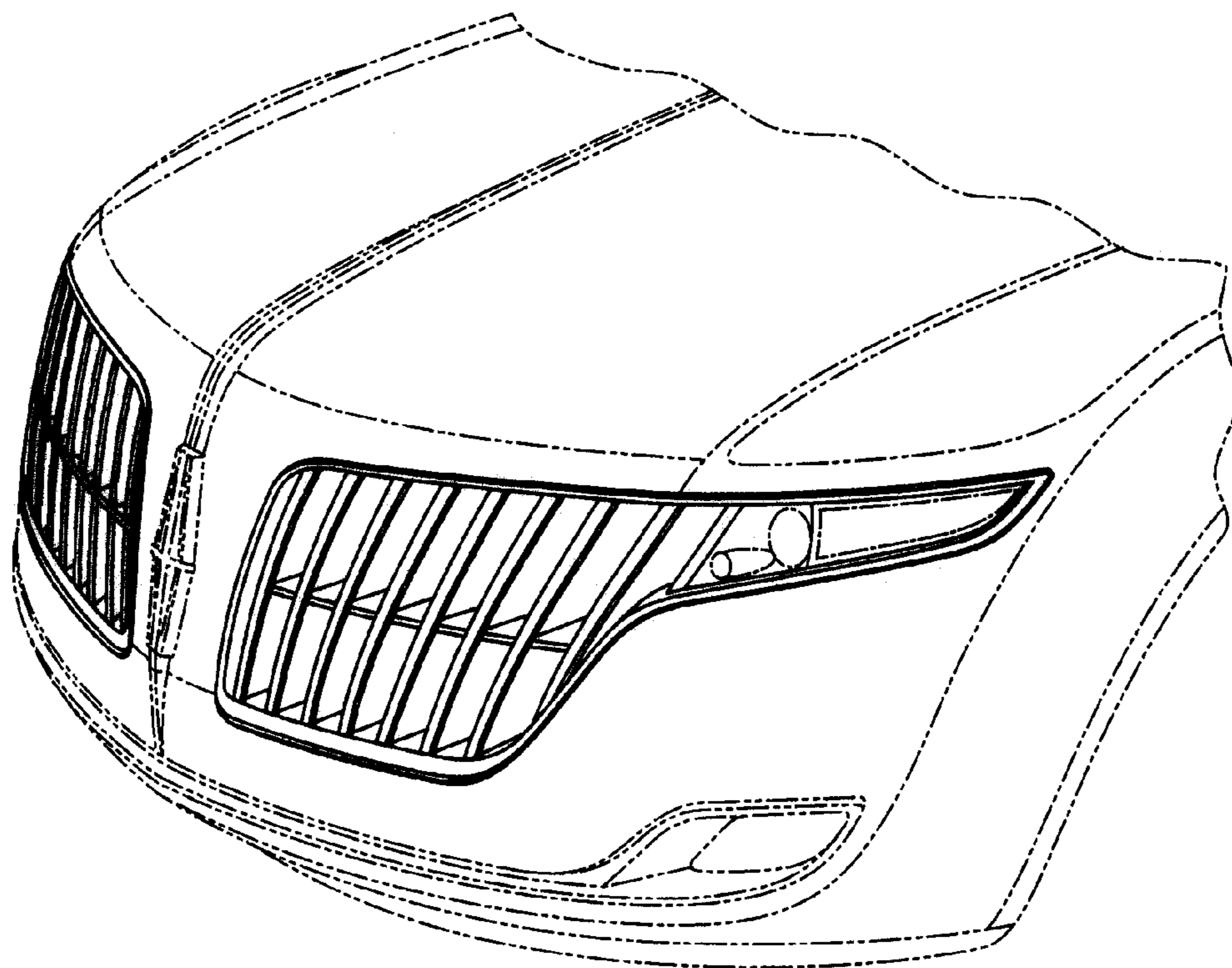


Fig. 3

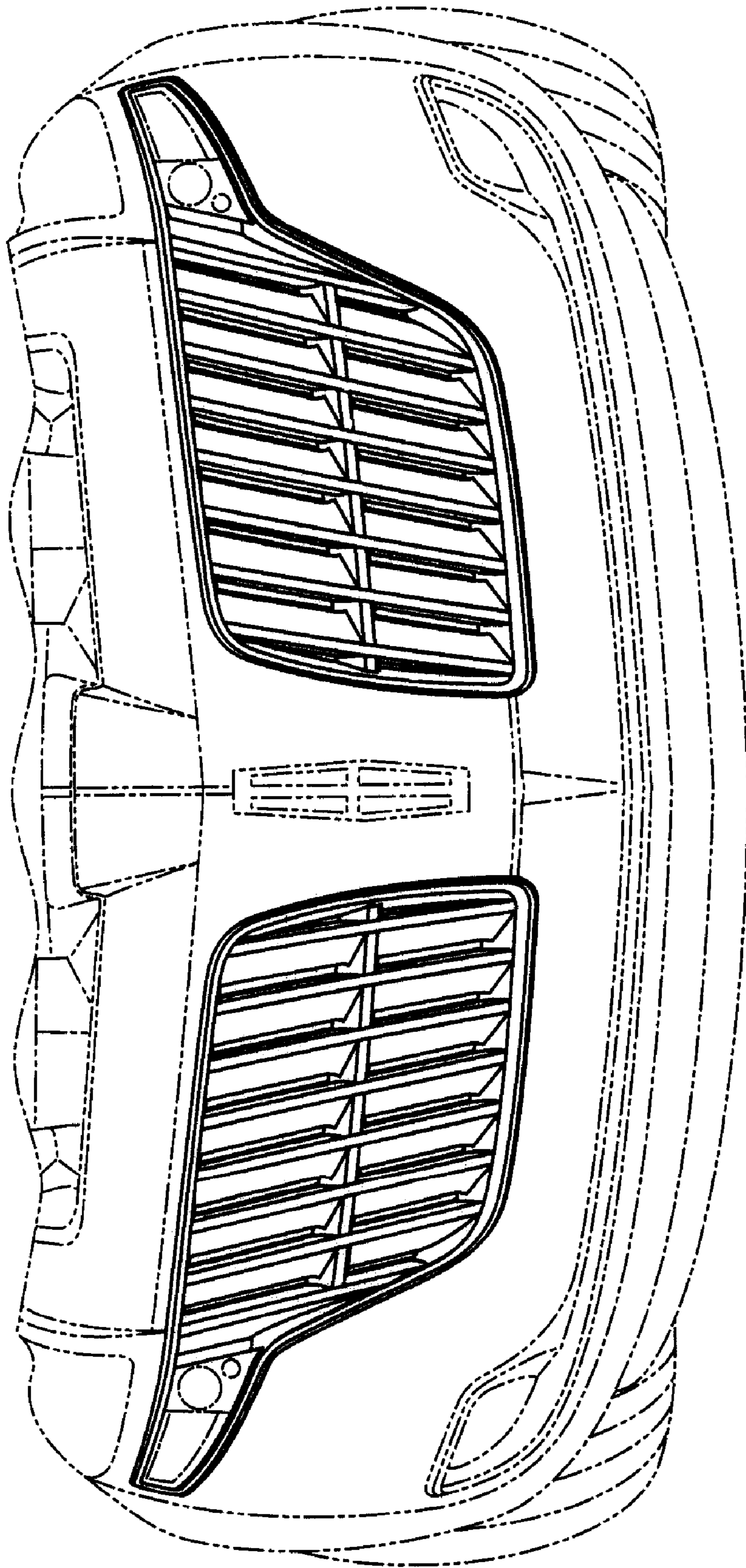


Fig. 4