



US00D562191S

(12) **United States Design Patent**
Kushima et al.

(10) **Patent No.:** **US D562,191 S**

(45) **Date of Patent:** **** Feb. 19, 2008**

(54) **FRONT GRILLE FOR AN AUTOMOBILE**

D539,707 S * 4/2007 Golden et al. D12/163
D541,707 S * 5/2007 Komuro D12/163

(75) Inventors: **Yukio Kushima**, Anjo (JP); **Shuusaku Kodama**, Aichi-ken (JP)

OTHER PUBLICATIONS

(73) Assignee: **Toyota Jidosha Kabushiki Kaisha** (JP)

Brochure for Toyota Camry issued by Toyota Jidosha Kabushiki Kaisha, Mar. 2005.

(**) Term: **14 Years**

Brochure for Toyota Harrier (Hybrid), issued by Toyota Jidosha Kabushiki Kaisha, Mar. 2005.

(21) Appl. No.: **29/272,008**

* cited by examiner

(22) Filed: **Jan. 30, 2007**

Primary Examiner—Melody N. Brown

(74) *Attorney, Agent, or Firm*—Saidman DesignLaw Group

(51) **LOC (8) Cl.** **12-16**

(52) **U.S. Cl.** **D12/163**

(58) **Field of Classification Search** D12/163,
D12/171, 90–92, 216, 169, 196; 180/68.1,
180/68.6; 296/193.11; 293/102, 113, 115
See application file for complete search history.

(57) **CLAIM**

The ornamental design for a front grille for an automobile, as shown and described.

(56) **References Cited**

DESCRIPTION

U.S. PATENT DOCUMENTS

D525,571 S * 7/2006 Kouzai D12/163
D535,221 S * 1/2007 Lau et al. D12/163
D535,224 S * 1/2007 Kubota et al. D12/163
D535,591 S * 1/2007 Schiavone D12/163
D536,284 S * 2/2007 Nakamura et al. D12/163

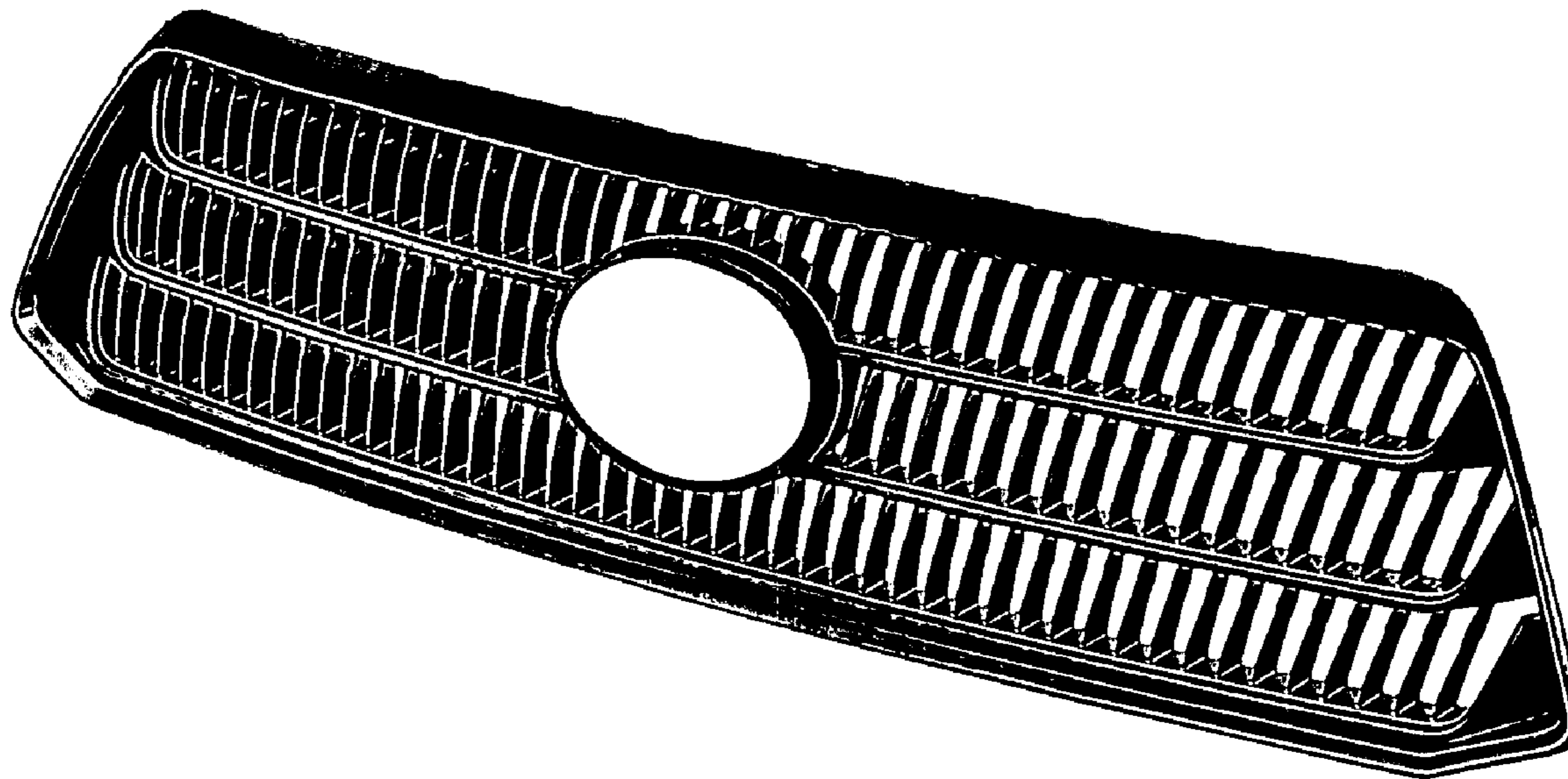
FIG. 1 is a front perspective view of a front grille for an automobile showing our new design;

FIG. 2 is a front elevational view thereof;

FIG. 3 is a top plan view thereof; and,

FIG. 4 is a right-side elevational view thereof.

1 Claim, 1 Drawing Sheet



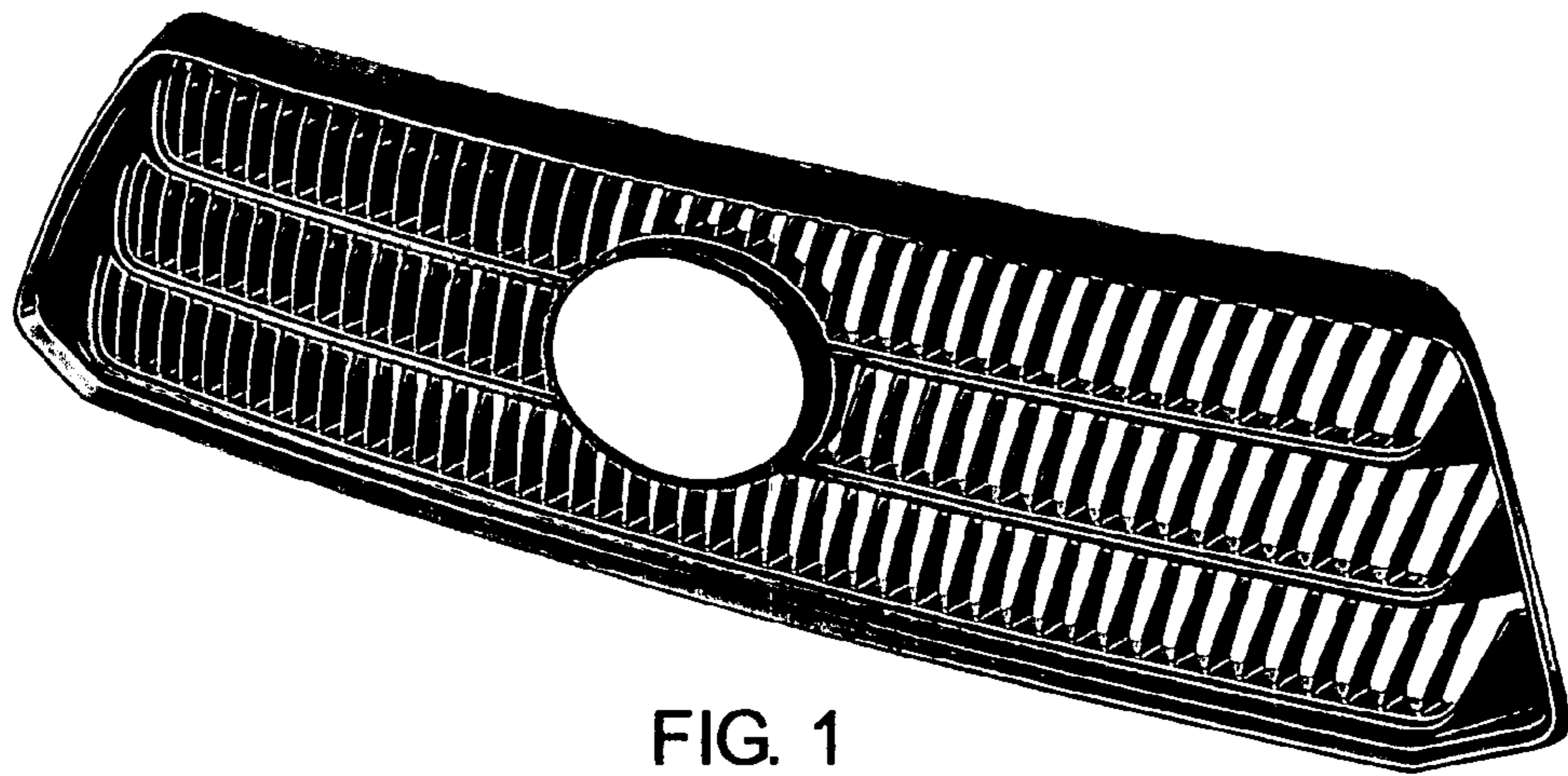


FIG. 1

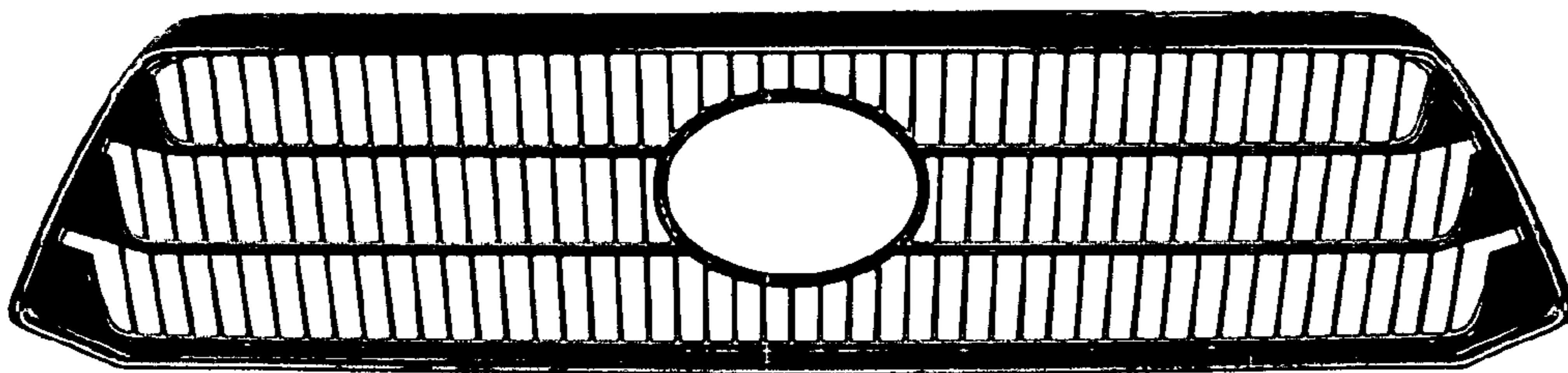


FIG. 2



FIG. 3



FIG. 4