



US00D562190S

(12) **United States Design Patent**
Quinn

(10) **Patent No.:** **US D562,190 S**

(45) **Date of Patent:** **** Feb. 19, 2008**

(54) **CHILD STROLLER WITH BASKETBALL SHAPED CANOPY**

D529,343 S * 10/2006 Minor et al. D7/606
D532,721 S * 11/2006 Wu et al. D12/129

(75) Inventor: **Robert A. Quinn**, Tulare, CA (US)

* cited by examiner

(73) Assignee: **Donacorp**, Tulare, CA (US)

Primary Examiner—Ian Simmons

Assistant Examiner—Maurice Stevens

(**) Term: **14 Years**

(74) *Attorney, Agent, or Firm*—Blakely Sokoloff Taylor & Zafman LLP

(21) Appl. No.: **29/265,695**

(22) Filed: **Sep. 6, 2006**

(51) **LOC (8) Cl.** **12-12**

(52) **U.S. Cl.** **D12/129**

(58) **Field of Classification Search** D12/129–133;
280/30, 36, 38, 42, 47.38, 641, 643, 650,
280/658; D29/102–103 M; D7/606, 632;
D21/713–714

See application file for complete search history.

(56) **References Cited**

U.S. PATENT DOCUMENTS

- D325,894 S * 5/1992 Kato et al. D12/129
- D345,128 S * 3/1994 Kassai D12/129
- D355,334 S * 2/1995 Minor D7/606
- D510,549 S * 10/2005 Kassai et al. D12/129
- D522,596 S * 6/2006 Laliberty et al. D21/713

(57) **CLAIM**

The ornamental design of a child stroller with basketball shaped canopy, as shown and described.

DESCRIPTION

FIG. 1 is a perspective of a child stroller with basketball shaped canopy;

FIG. 2 is a top plan view thereof;

FIG. 3 is a bottom plan view thereof;

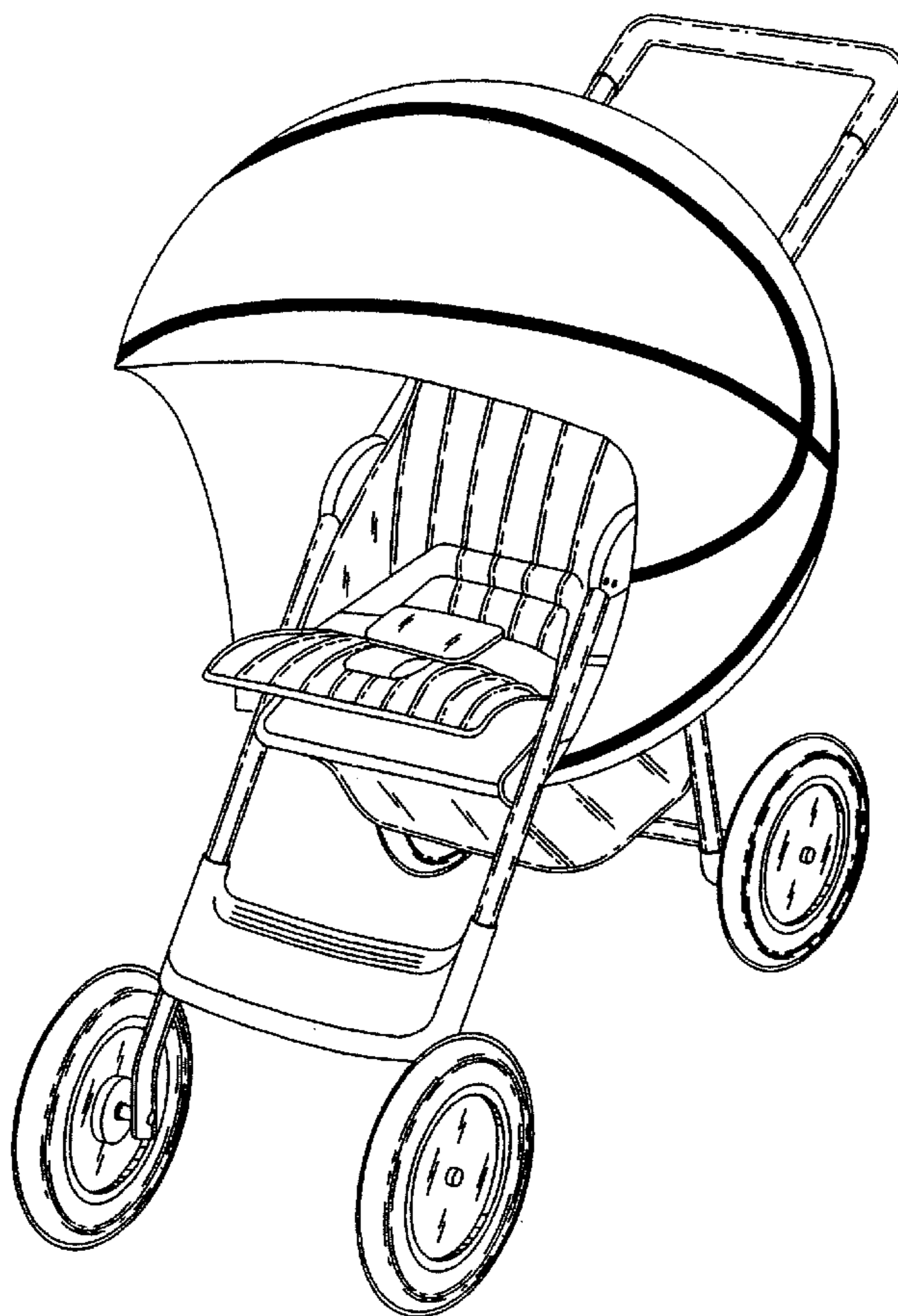
FIG. 4 is a left side elevational view thereof;

FIG. 5 is a right side elevational view thereof;

FIG. 6 is a front elevational view thereof; and,

FIG. 7 is a back elevational view thereof.

1 Claim, 6 Drawing Sheets



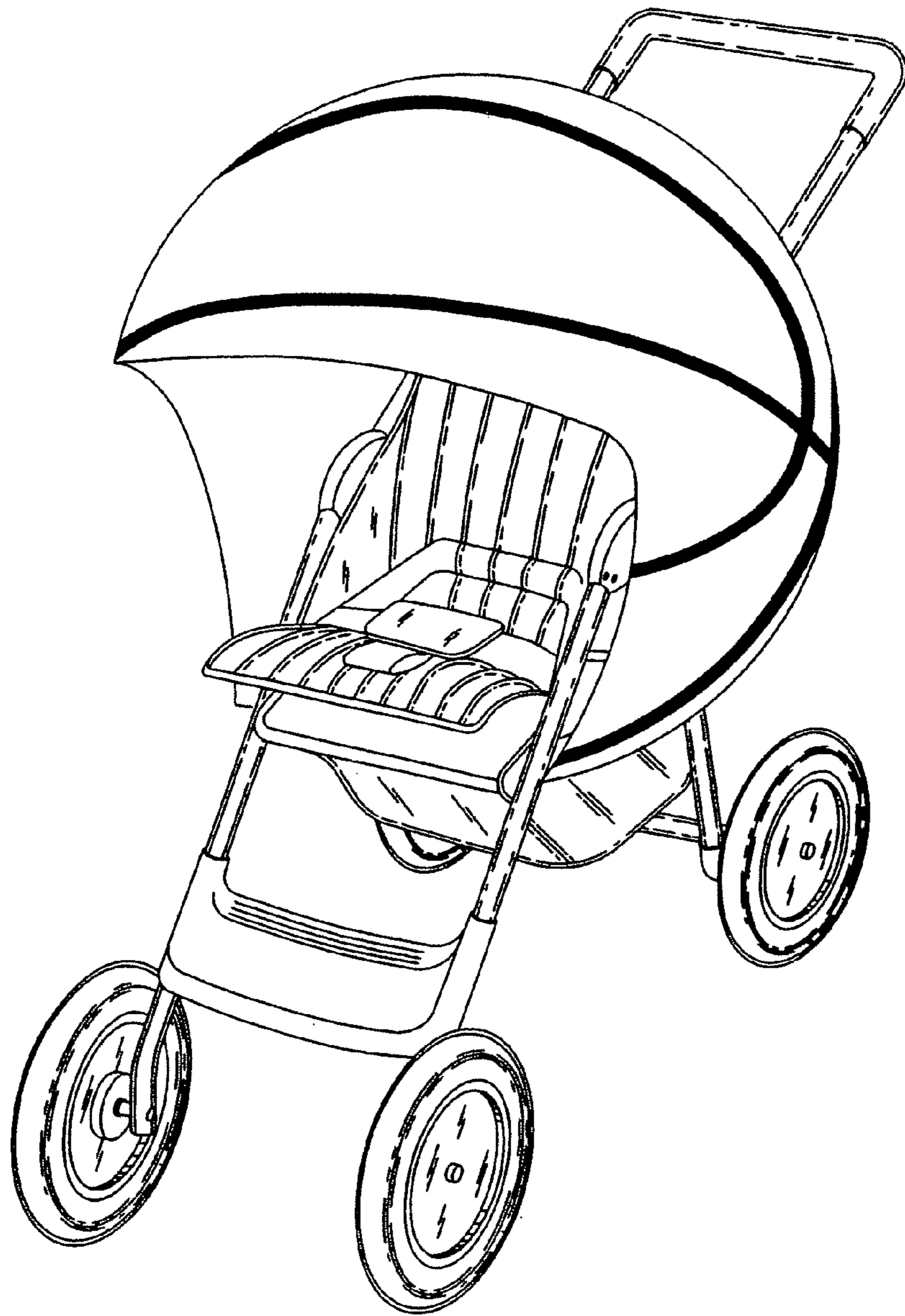


FIG. 1

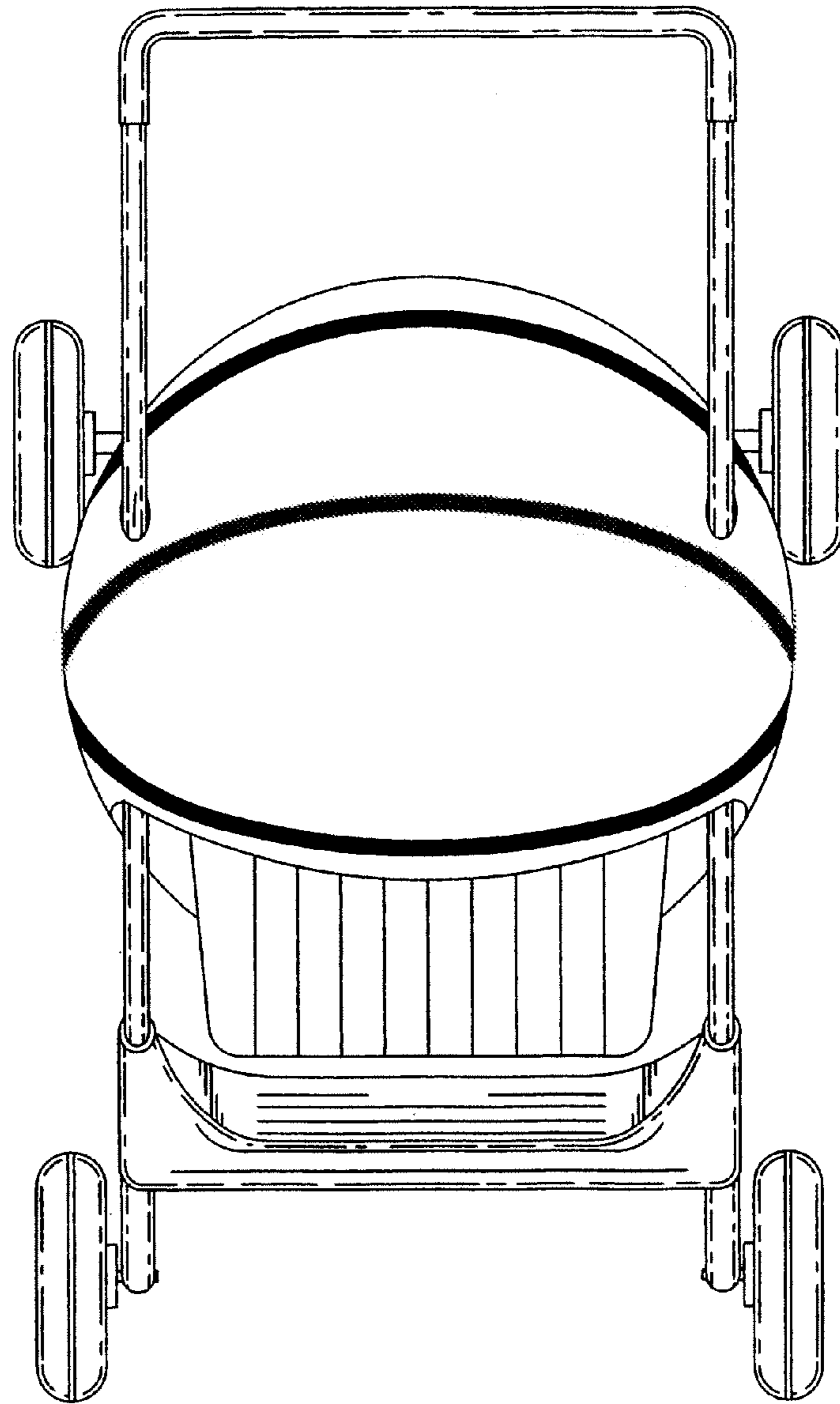


FIG. 2

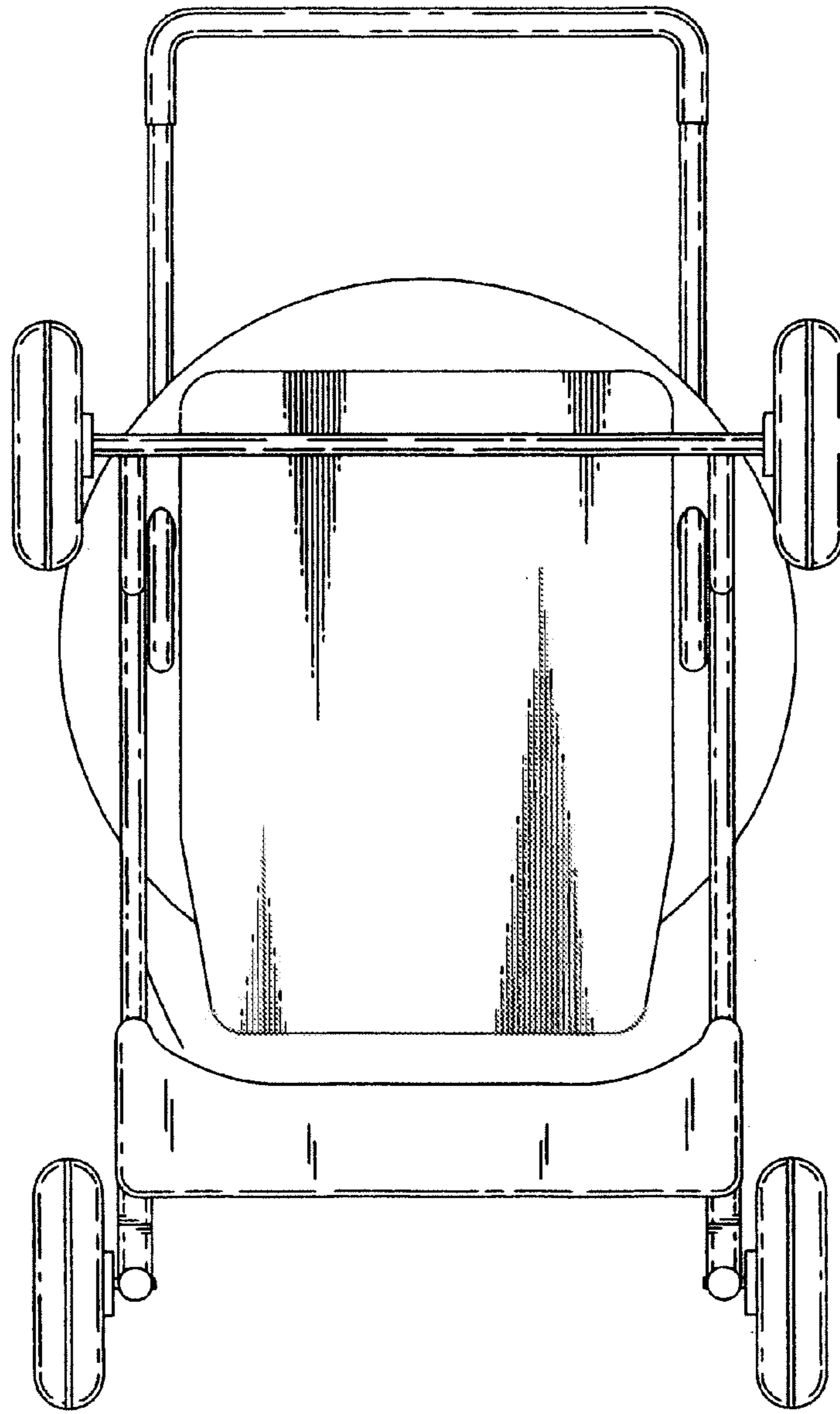


FIG. 3

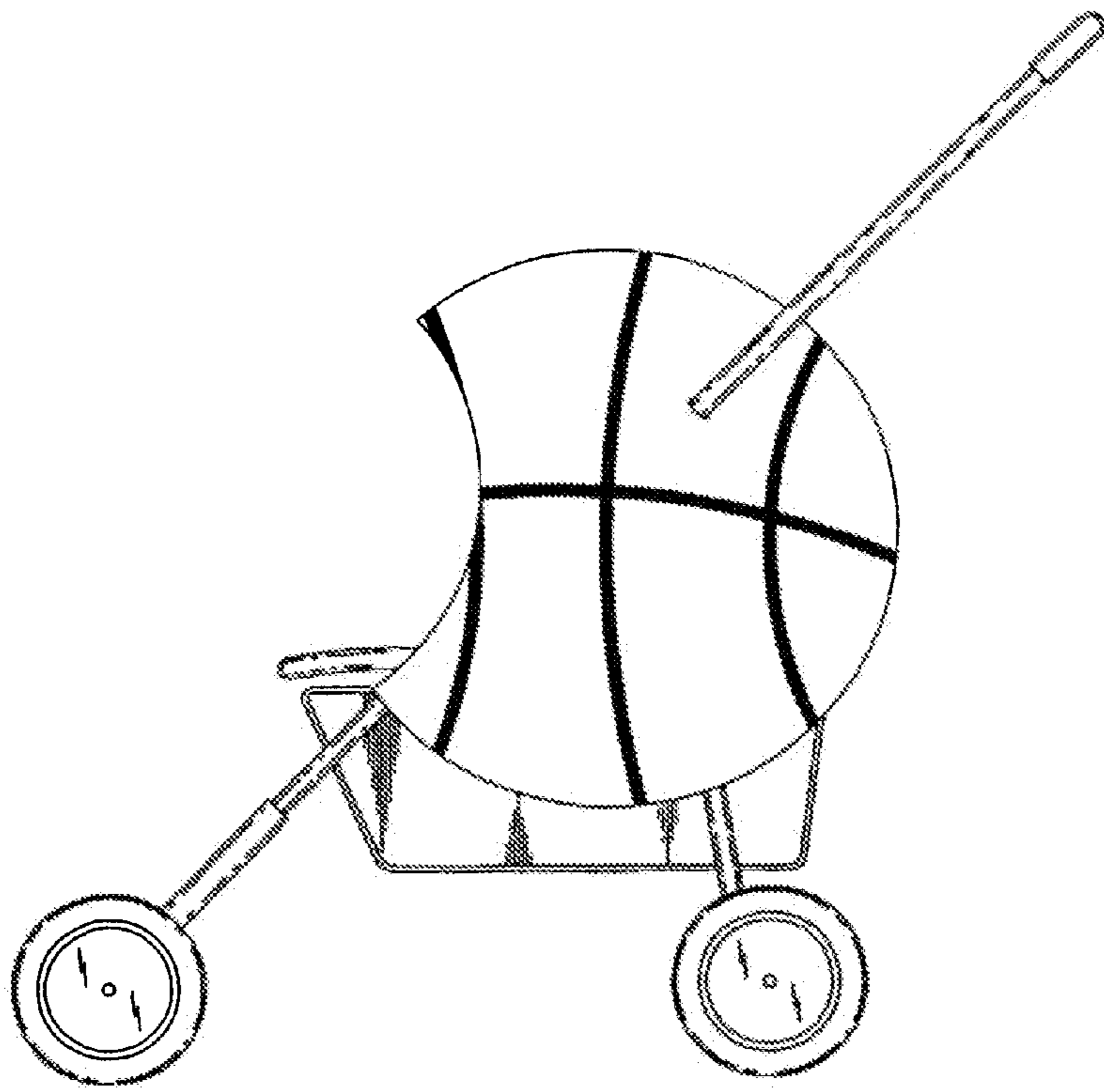


FIG. 4

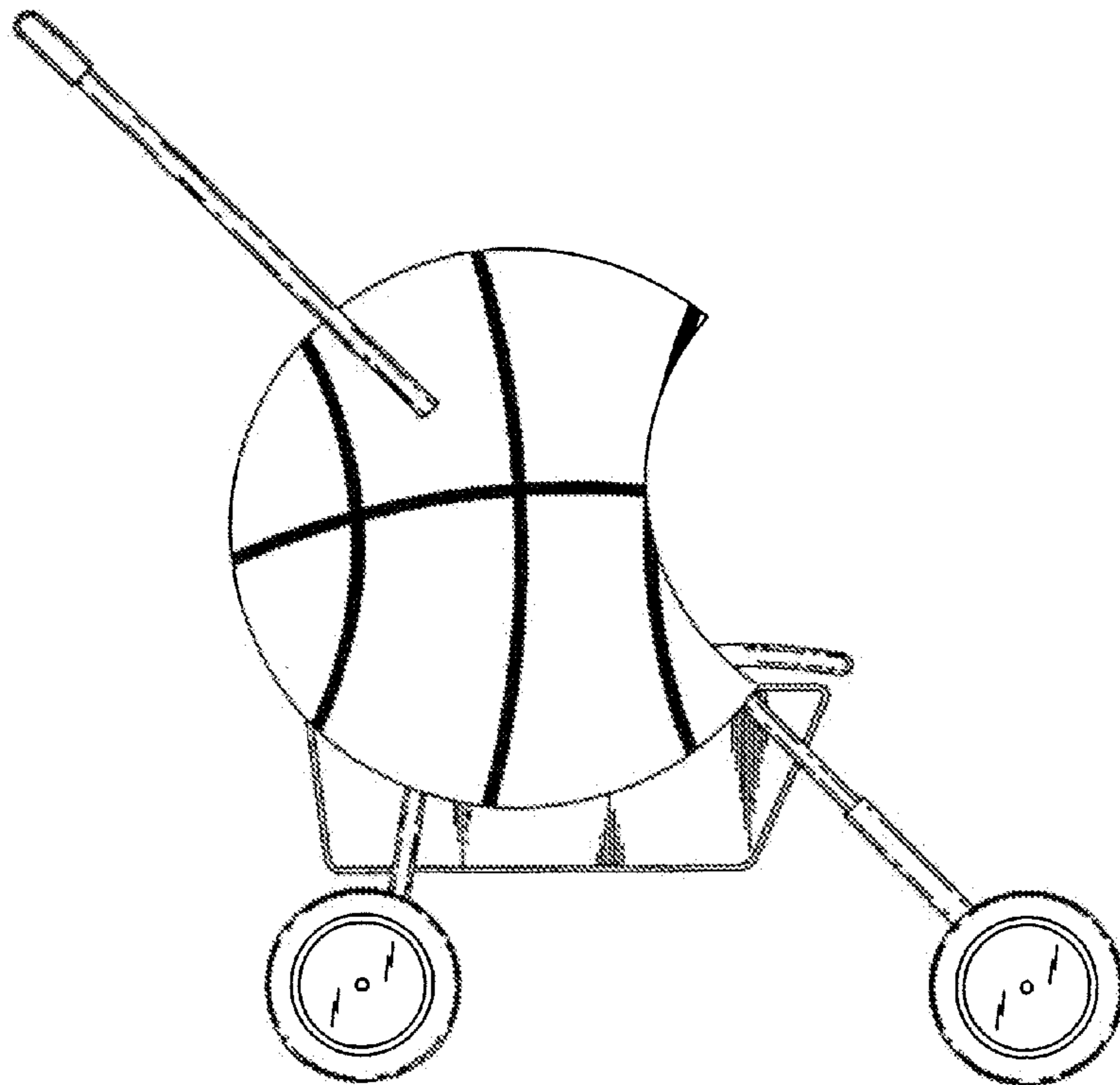


FIG. 5

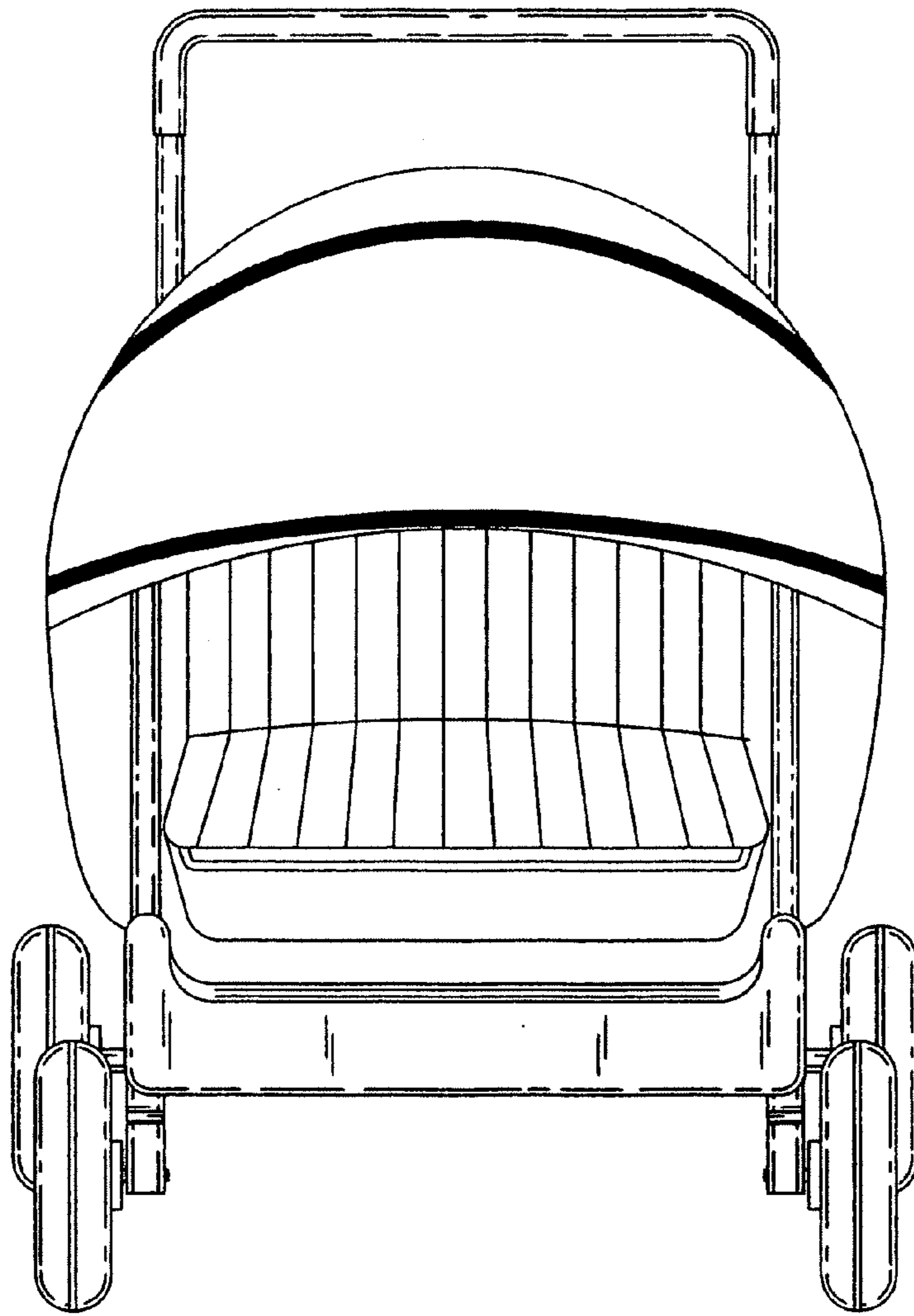


FIG . 6

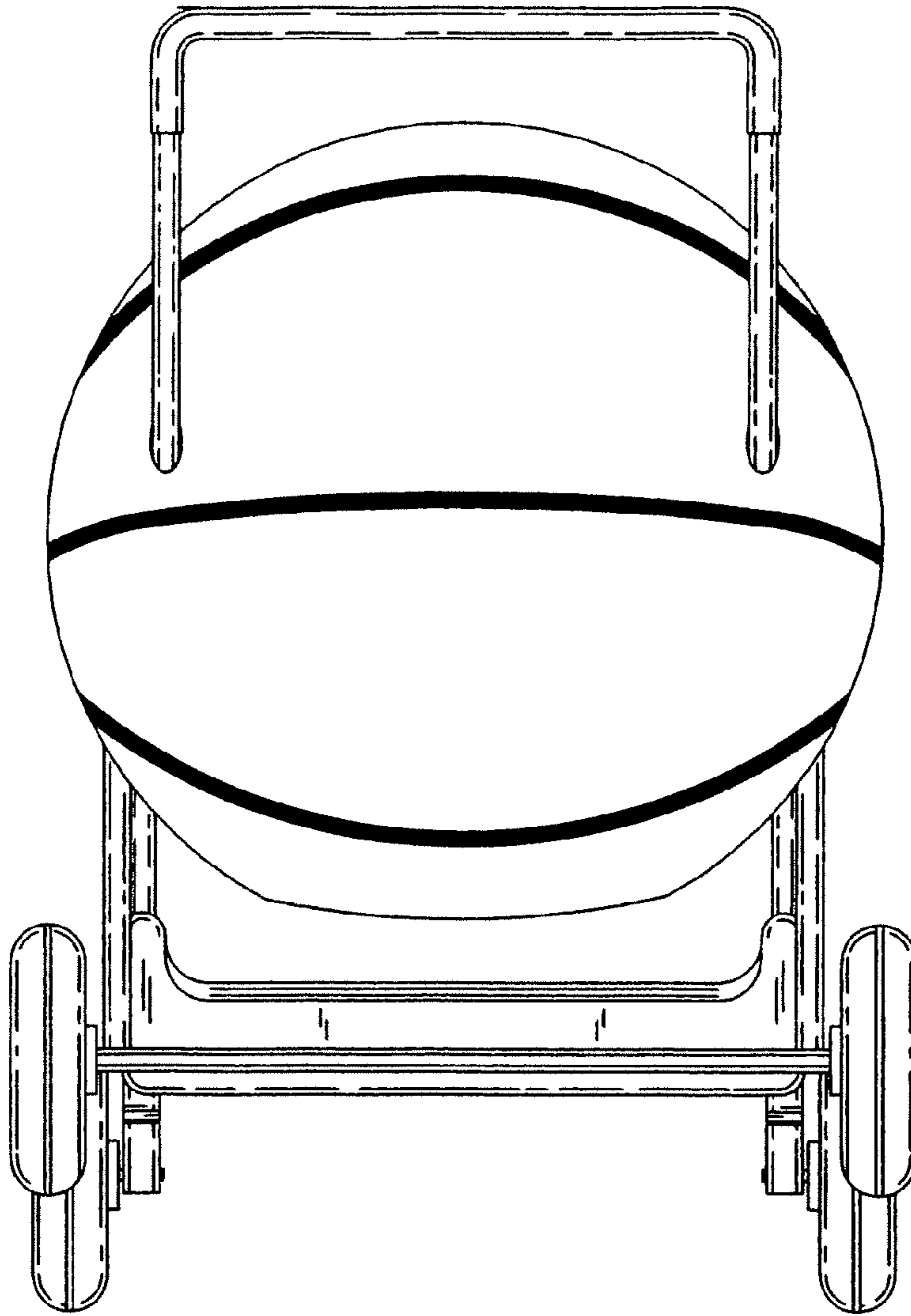


FIG. 7