



US00D562188S

(12) **United States Design Patent** (10) **Patent No.:** **US D562,188 S**
Matsumoto et al. (45) **Date of Patent:** **** *Feb. 19, 2008**

(54) **AUTOMOBILE AND TOY REPLICA THEREOF**

JP D1253024 10/2005
JP 1264214 3/2006
TW D109108 2/2006
TW D109260 2/2006
TW D131155 10/2006

(75) Inventors: **Kengo Matsumoto**, Nagoya (JP); **Katsuhiro Suzuki**, Aichi-ken (JP); **Hiroyuki Tada**, Toyota (JP); **Tomoyasu Nisi**, Nisshin (JP); **Hiroshi Okamoto**, Nagoya (JP); **Toshiyuki Nagafuchi**, Aichi-ken (JP)

(73) Assignee: **Toyota Jidosha Kabushiki Kaisha**, Toyota (JP)

(**) Term: **14 Years**

(21) Appl. No.: **29/268,404**

(22) Filed: **Nov. 7, 2006**

(51) **LOC (8) Cl.** **12-08**

(52) **U.S. Cl.** **D12/92**

(58) **Field of Classification Search** D12/90-92, D12/86; D21/424, 433; 296/181.1

See application file for complete search history.

(56) **References Cited**

U.S. PATENT DOCUMENTS

D489,647 S * 5/2004 Matsumoto et al. D12/92
D491,105 S * 6/2004 Kim et al. D12/91
D491,842 S * 6/2004 Nakamura et al. D12/92
D501,645 S * 2/2005 Hosoda et al. D12/92
D510,544 S 10/2005 Schreyer et al.
D531,547 S * 11/2006 Hiruta et al. D12/92
D531,935 S * 11/2006 Matsumoto et al. D12/92
D533,810 S * 12/2006 Metsugi et al. D12/92

FOREIGN PATENT DOCUMENTS

JP D1232264 3/2005

OTHER PUBLICATIONS

Brochure of BMW M3, 2003, BMW Kabushiki Kaisha.
Brochure of LEXUS IS, Sep. 2005; Toyota Jidosha Kabushiki Kaisha.

* cited by examiner

Primary Examiner—Melody N. Brown

(74) *Attorney, Agent, or Firm*—Finnegan, Henderson, Farabow, Garrett & Dunner, L.L.P.

(57) **CLAIM**

The ornamental design for a automobile and toy replica thereof, as shown and described.

DESCRIPTION

FIG. 1 is a front, perspective view of a automobile and toy replica thereof of our new design;

FIG. 2 is a rear perspective view thereof;

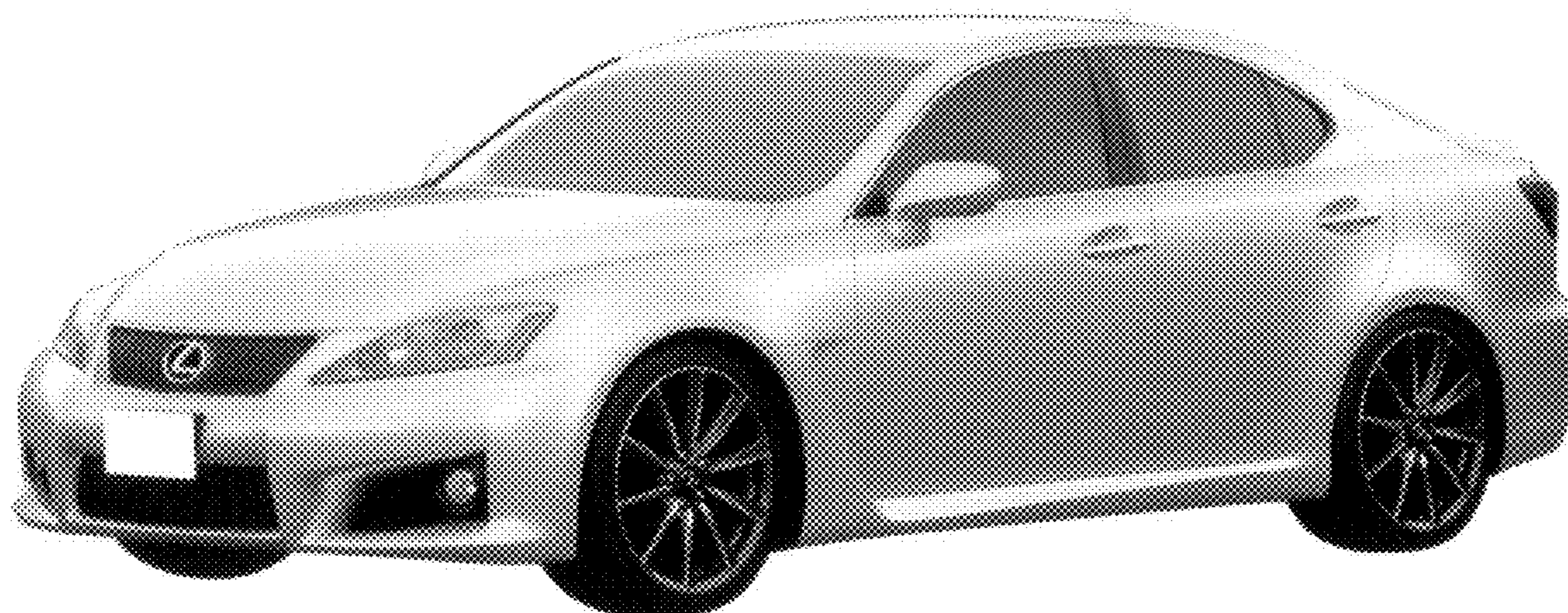
FIG. 3 is a front elevational view thereof;

FIG. 4 is a rear elevational view thereof;

FIG. 5 is a top plan view thereof; and,

FIG. 6 is a left side elevational view thereof, the right side elevational view being a mirror image of FIG. 6, with the exception of gas cap access door which is present only on the left side of the design.

1 Claim, 5 Drawing Sheets



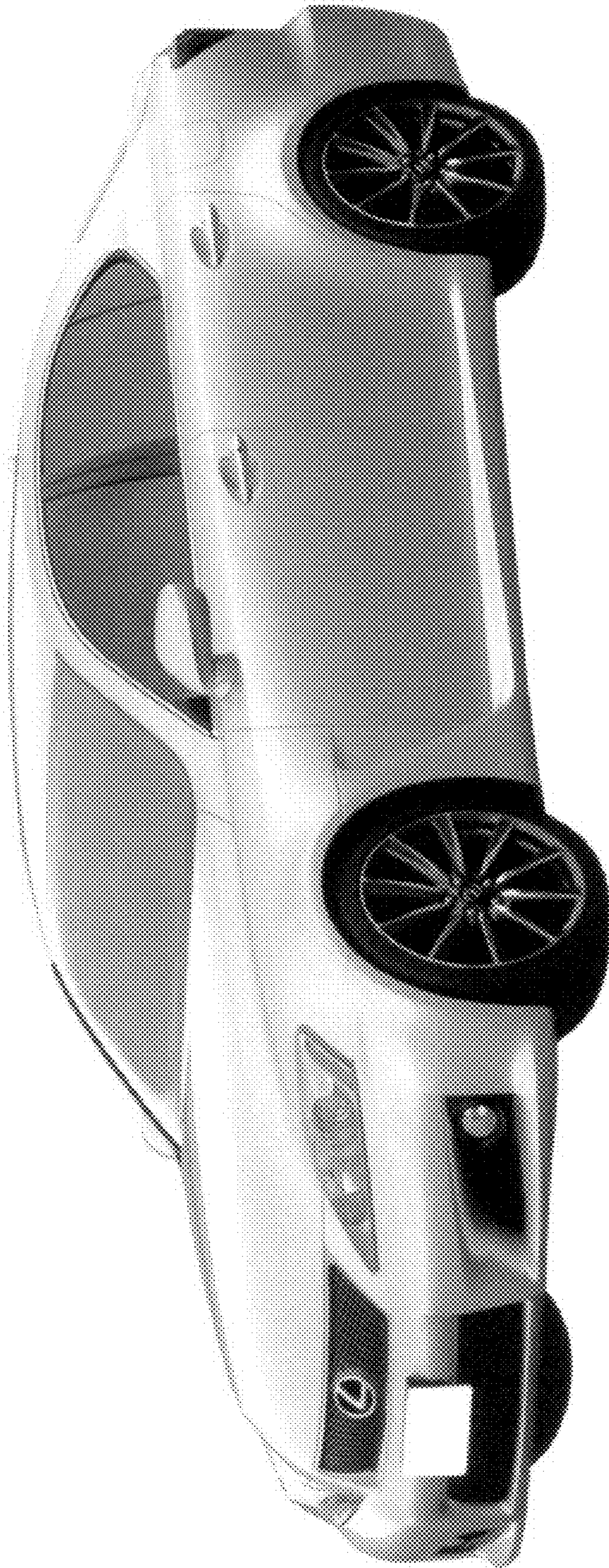


FIG. 1

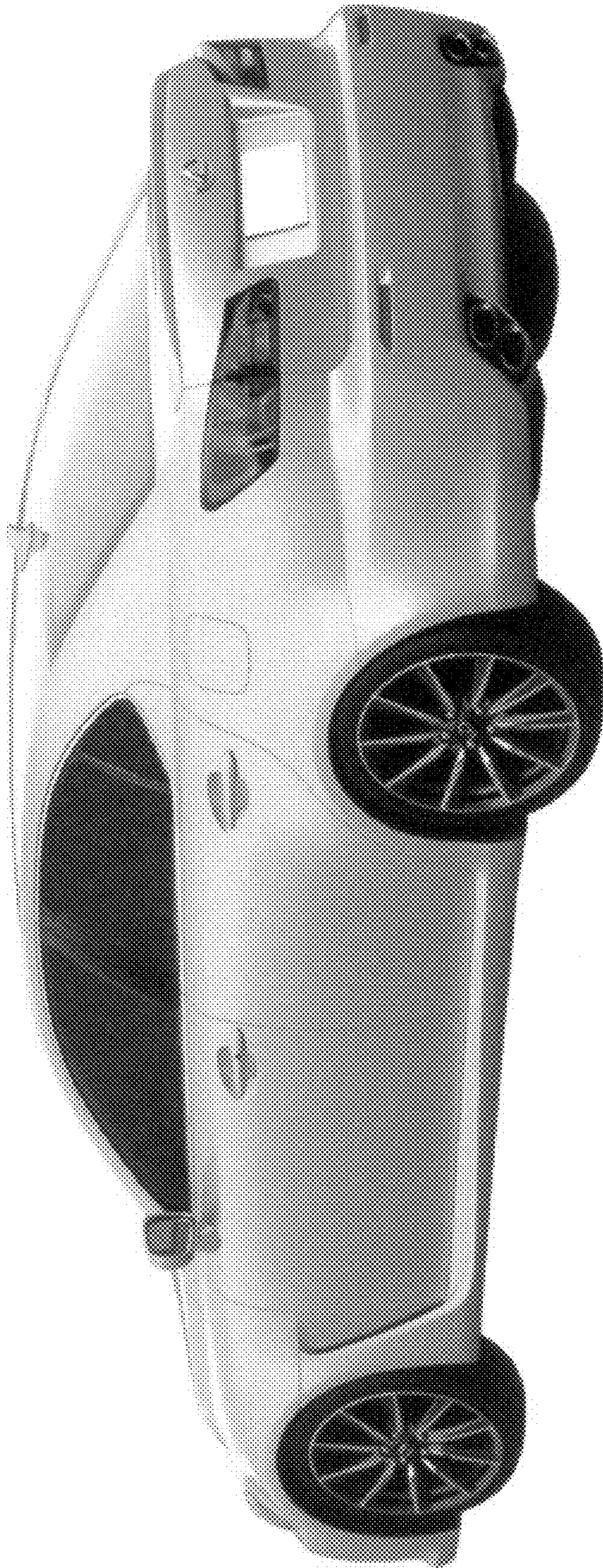


FIG. 2

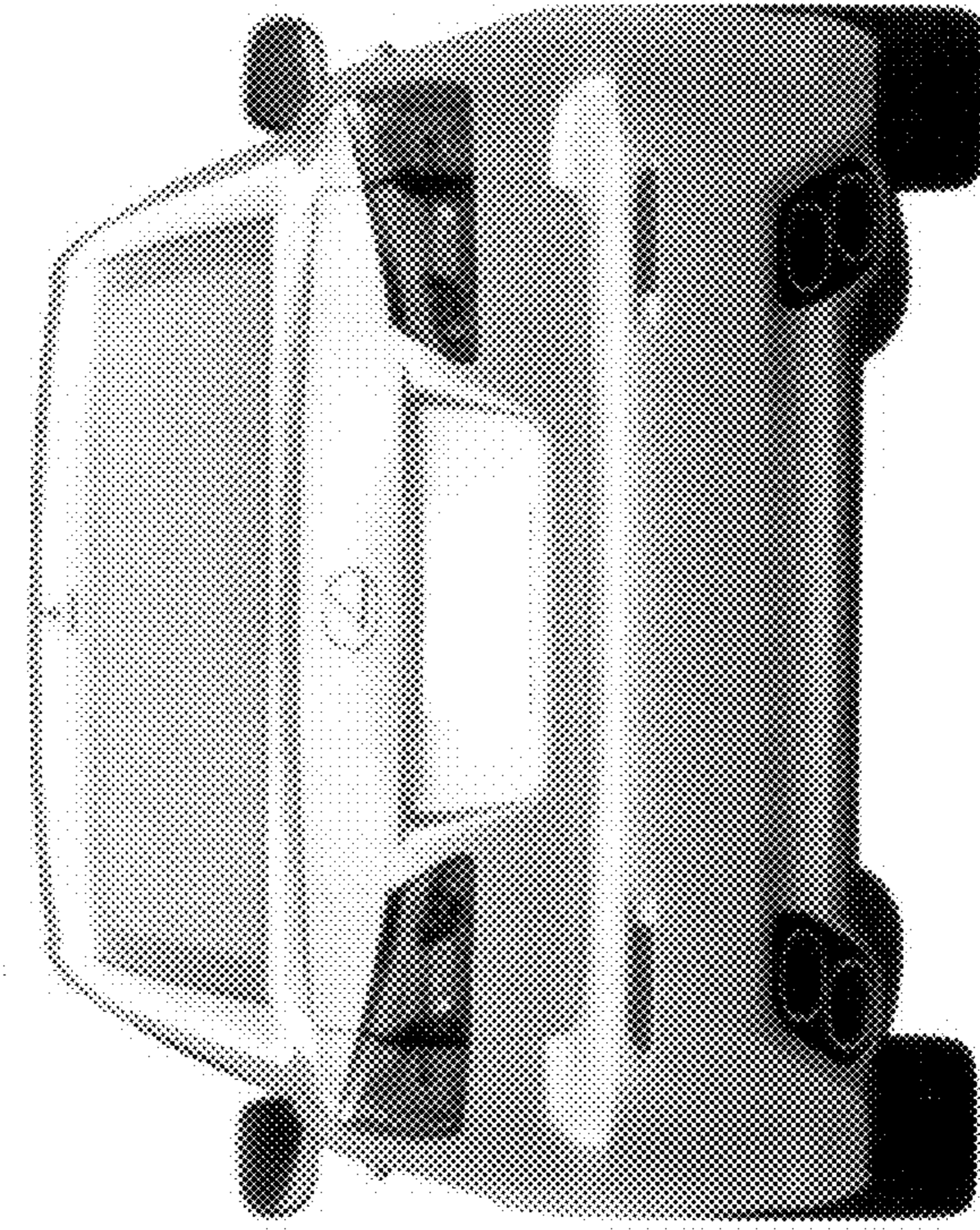


FIG. 3

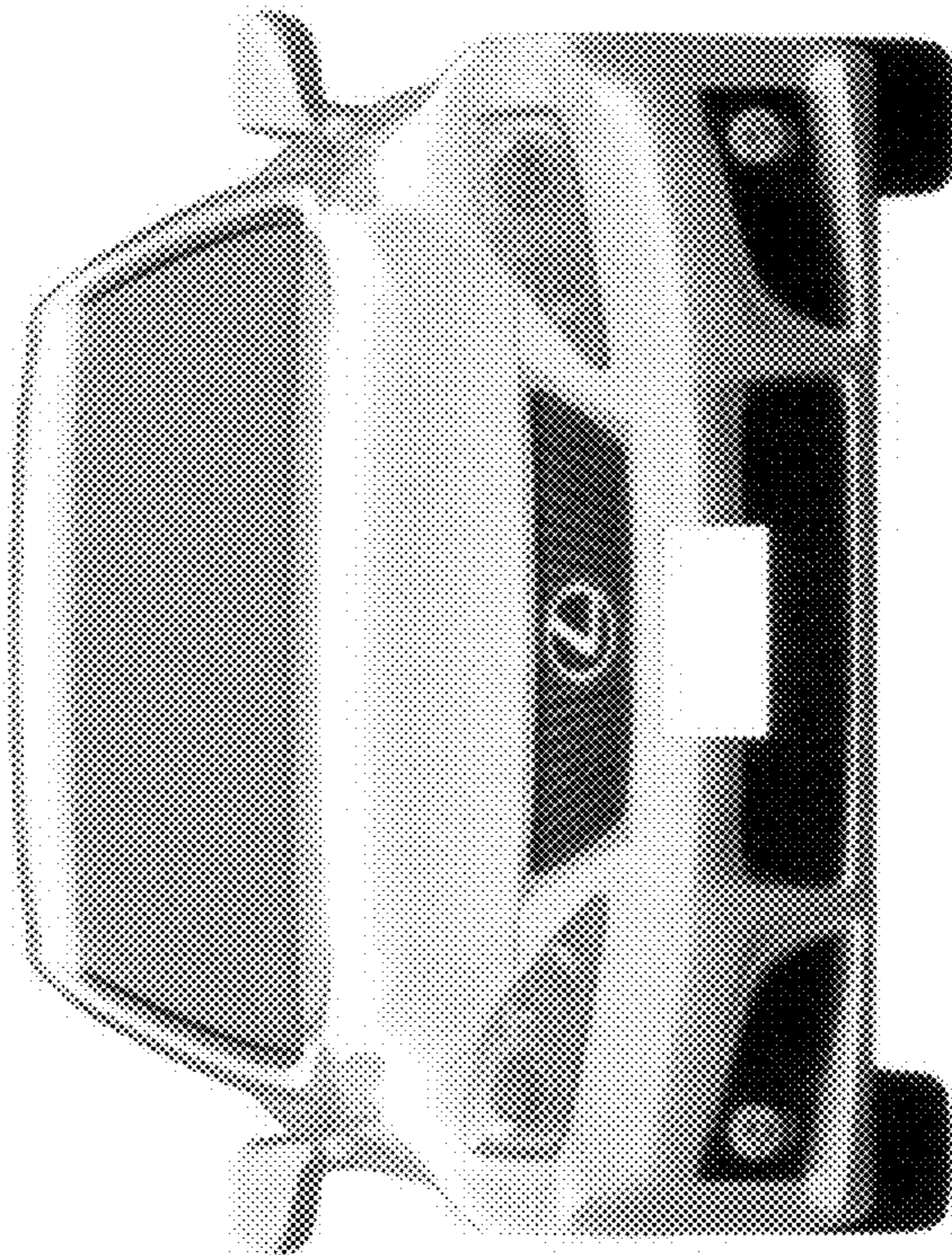


FIG. 4



FIG. 5

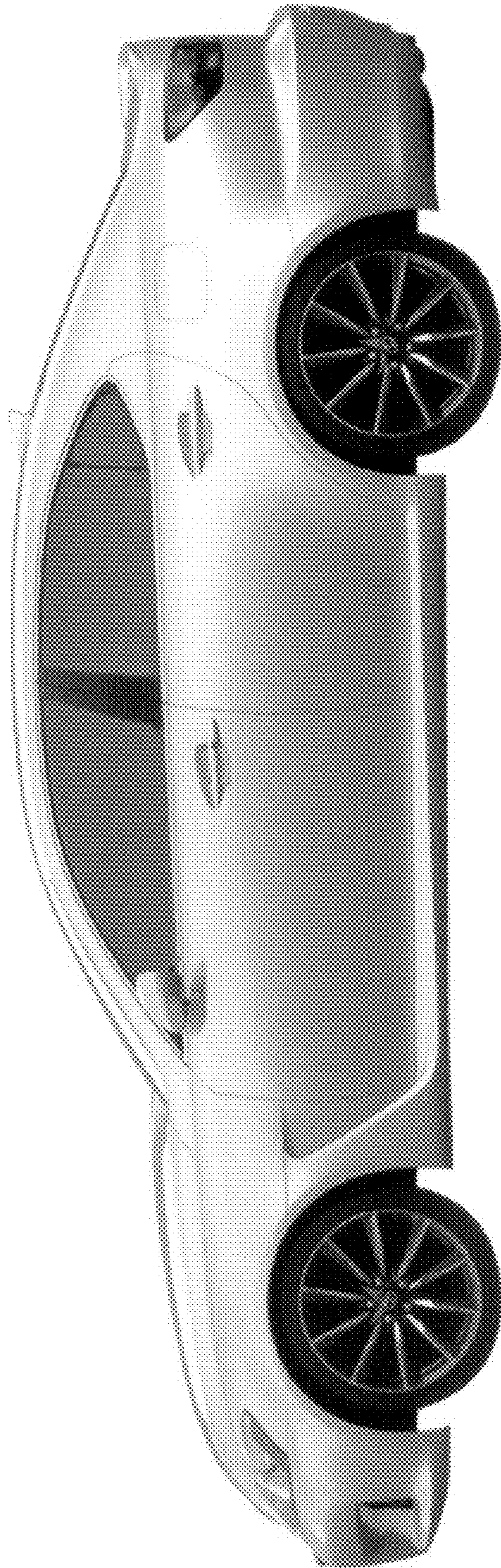


FIG. 6