

US00D562187S

(12) **United States Design Patent**
Tiede

(10) **Patent No.:** **US D562,187 S**

(45) **Date of Patent:** **** Feb. 19, 2008**

(54) **PENTAGONAL BACKER PLATE**

(75) Inventor: **Lawrence A. Tiede**, Kawkawlin, MI (US)

(73) Assignee: **International Engineering and Manufacturing, Inc.**, Hope, MI (US)

(**) Term: **14 Years**

(21) Appl. No.: **29/286,982**

(22) Filed: **May 25, 2007**

5,065,517 A	11/1991	Markes	
5,299,860 A *	4/1994	Anderson	305/180
5,628,602 A *	5/1997	Ohsawa	411/405
5,641,214 A *	6/1997	Kafka	305/180
5,685,621 A *	11/1997	Nugent	305/180
D398,217 S *	9/1998	Richter	D8/349
6,203,126 B1 *	3/2001	Harguth	305/180
D484,037 S *	12/2003	Fleetwood	D8/399
D517,947 S *	3/2006	Hollingworth et al.	D11/220
7,207,762 B2 *	4/2007	Teal	411/526
D547,237 S *	7/2007	Tiede	D12/7
2004/0101383 A1 *	5/2004	Carr et al.	411/533
2006/0013670 A1 *	1/2006	Sullivan et al.	411/155
2006/0165510 A1 *	7/2006	DiStasio et al.	411/326

Related U.S. Application Data

(62) Division of application No. 29/253,920, filed on Feb. 16, 2006, now Pat. No. Des. 547,237.

(51) **LOC (8) Cl.** **12-14**

(52) **U.S. Cl.** **D12/7**

(58) **Field of Classification Search** D12/7,
D12/10, 154, 204; D8/349, 388, 354, 382,
D8/399, 338; 285/19, 124.3, 139.1, 189
See application file for complete search history.

* cited by examiner

Primary Examiner—Robert M. Spear

Assistant Examiner—Anna K Dworzecka

(74) *Attorney, Agent, or Firm*—Robert L. McKellar;
McKellar IP Law, PLLC

(57) **CLAIM**

The ornamental design for a pentagonal backer plate, as shown and described.

(56) **References Cited**

U.S. PATENT DOCUMENTS

33,050 A	8/1861	Pond	
33,300 A	9/1861	Elliot	
541,376 A	6/1895	Morgan	
839,790 A	12/1906	Smith	
881,763 A	3/1908	Allen	
893,965 A	7/1908	Wootton	
1,959,776 A	5/1934	Abbott	
1,993,580 A	3/1935	Abbott	
2,708,087 A	5/1955	Blackstone	
3,236,553 A	2/1966	Shrier	
4,037,384 A	7/1977	Molyneux	
4,500,270 A	2/1985	Tuckey	
4,540,354 A	9/1985	Tuckey	
4,596,519 A	6/1986	Tuckey	
5,044,855 A *	9/1991	Fukubayashi	411/386

DESCRIPTION

FIG. 1 is a top plan view of a pentagonal backer plate showing my new design of the present invention;

FIG. 2 is a front elevational view thereof taken from the lower side of the backer plate illustrated in FIG. 1;

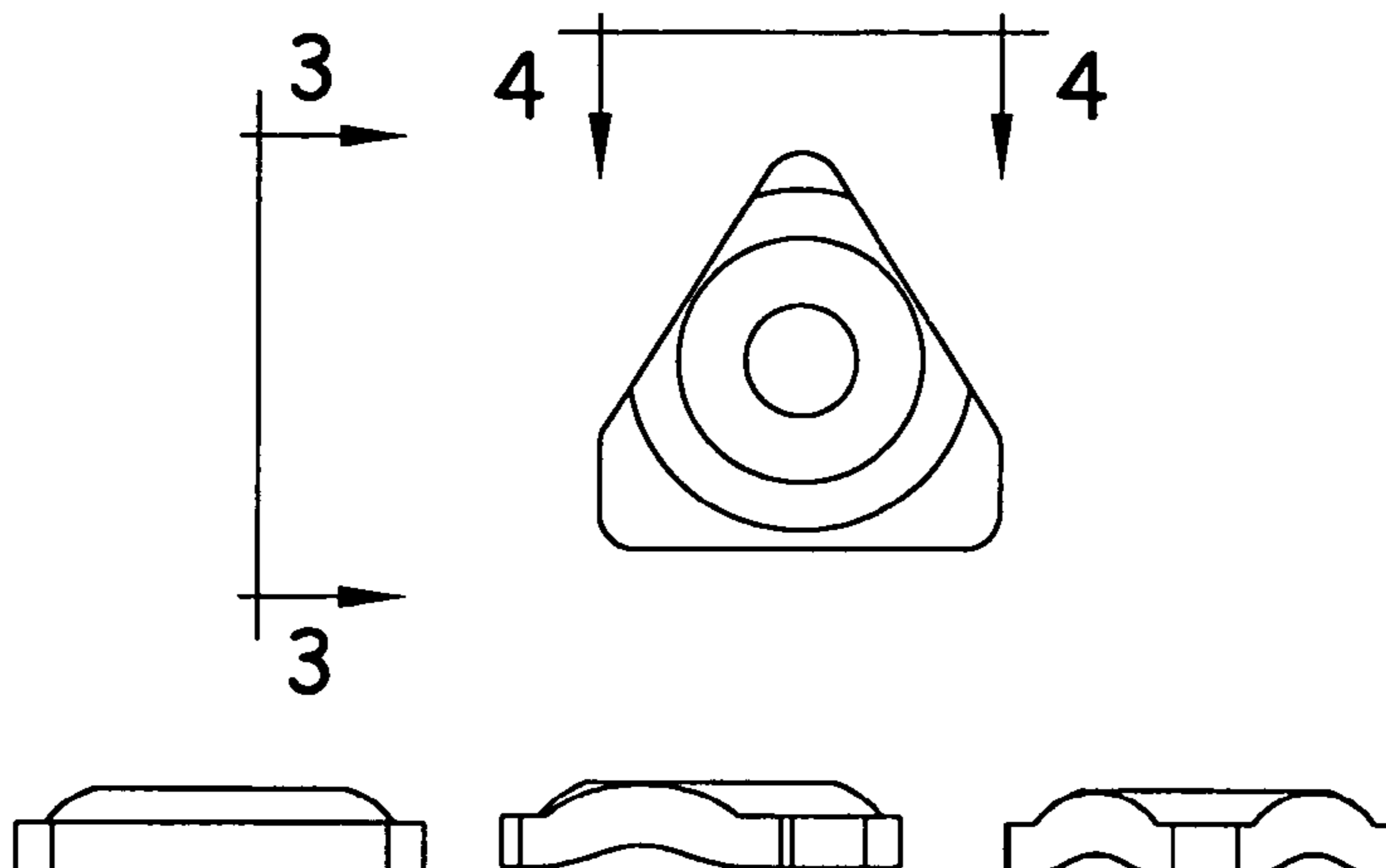
FIG. 3 is a side elevational view taken from the left side of FIG. 1, it being understood that the opposite side is a mirror image thereof;

FIG. 4 is a rear elevational view thereof, taken from the upper side of the backer plate illustrated in FIG. 1;

FIG. 5 is an underplan view thereof; and,

FIG. 6 is a perspective view thereof.

1 Claim, 1 Drawing Sheet



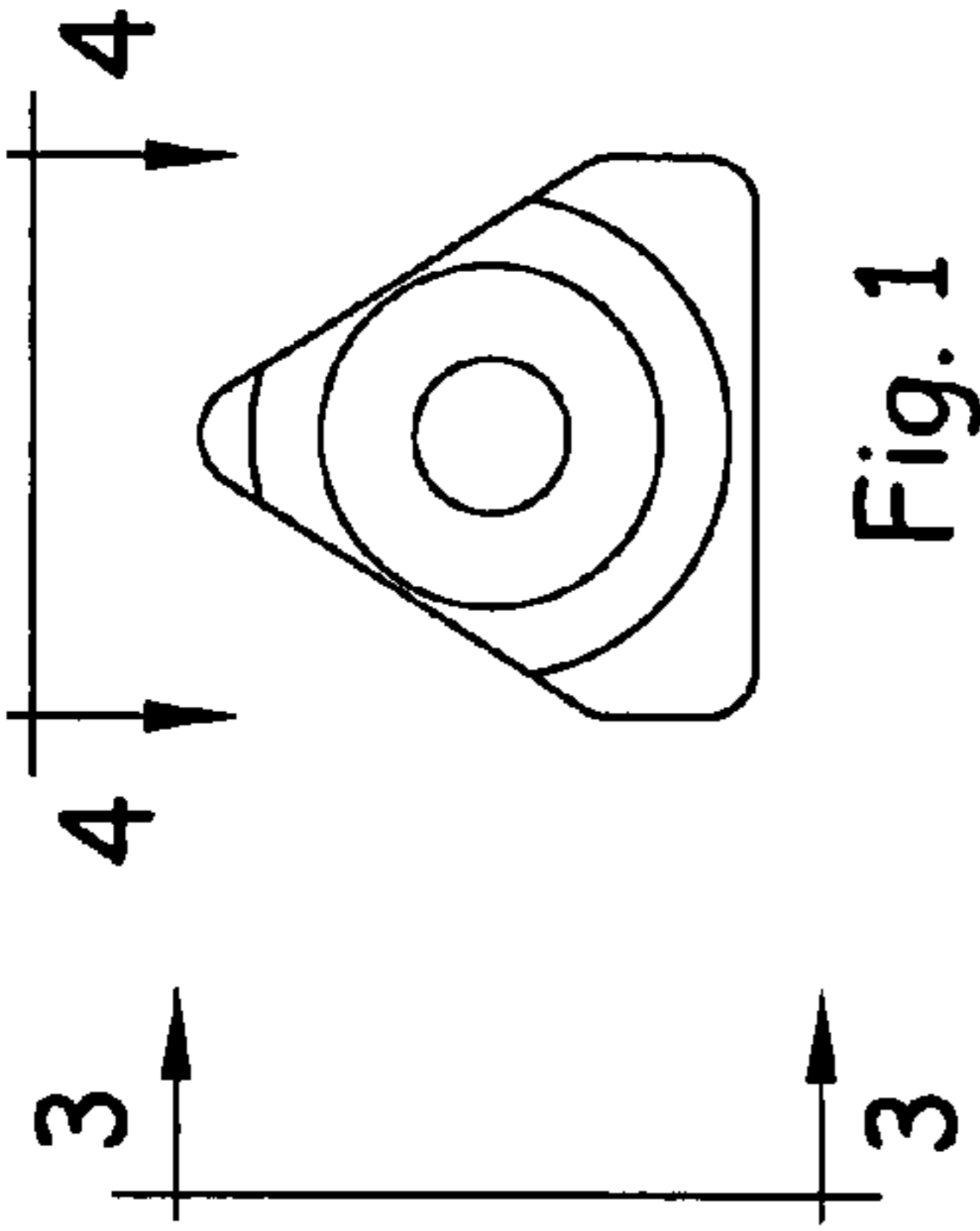


Fig. 1

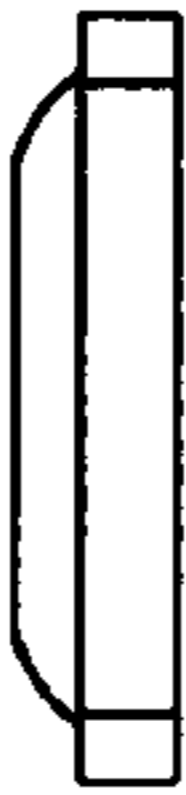


Fig. 2



Fig. 3



Fig. 4

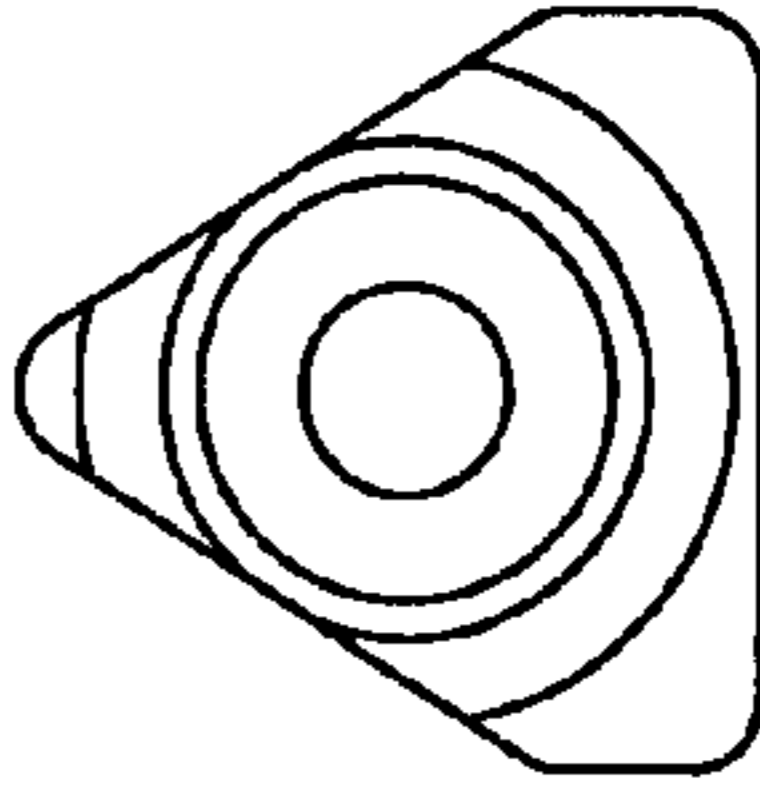


Fig. 5

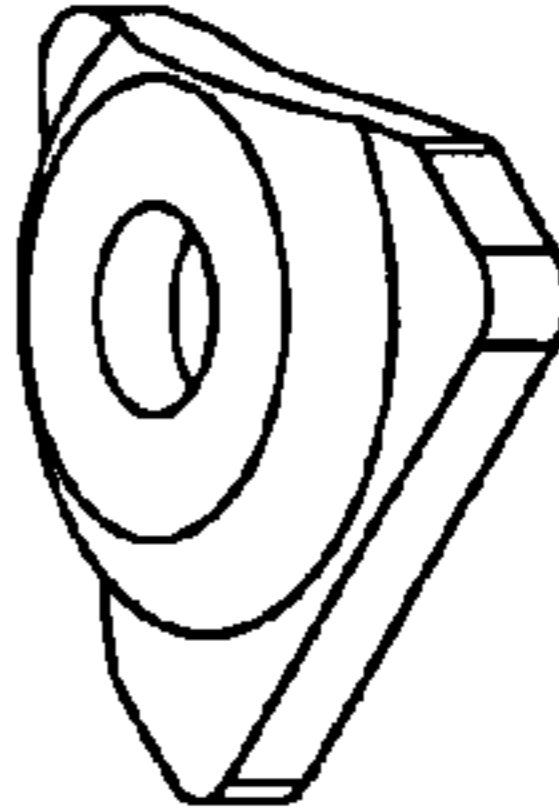


Fig. 6