

US00D562180S

(12) **United States Design Patent**
Siebenberg

(10) **Patent No.:** **US D562,180 S**

(45) **Date of Patent:** **** Feb. 19, 2008**

(54) **GEMSTONE DESIGN**

(76) Inventor: **Benjamin N. Siebenberg**, 16 Hotel Dr.,
White Plains, NY (US) 10605

(**) Term: **14 Years**

(21) Appl. No.: **29/277,115**

(22) Filed: **Feb. 14, 2007**

(51) **LOC (8) Cl.** **11-01**

(52) **U.S. Cl.** **D11/90**

(58) **Field of Classification Search** D11/1-2,
D11/26-29, 89-92; 63/26-28, 32
See application file for complete search history.

(56) **References Cited**

U.S. PATENT DOCUMENTS

D239,534 S *	4/1976	Michaeli	D7/396.2
D254,837 S *	4/1980	Breaux	D8/349
D462,922 S *	9/2002	Yuan et al.	D11/90
D543,894 S *	6/2007	Akdemir	D11/90
D544,393 S *	6/2007	Tabertshofer	D11/90

* cited by examiner

Primary Examiner—Ralf Seifert

(74) *Attorney, Agent, or Firm*—Rader, Fishman, & Grauer
PLLC

(57) **CLAIM**

The ornamental design for the gemstone design, as shown
and described.

DESCRIPTION

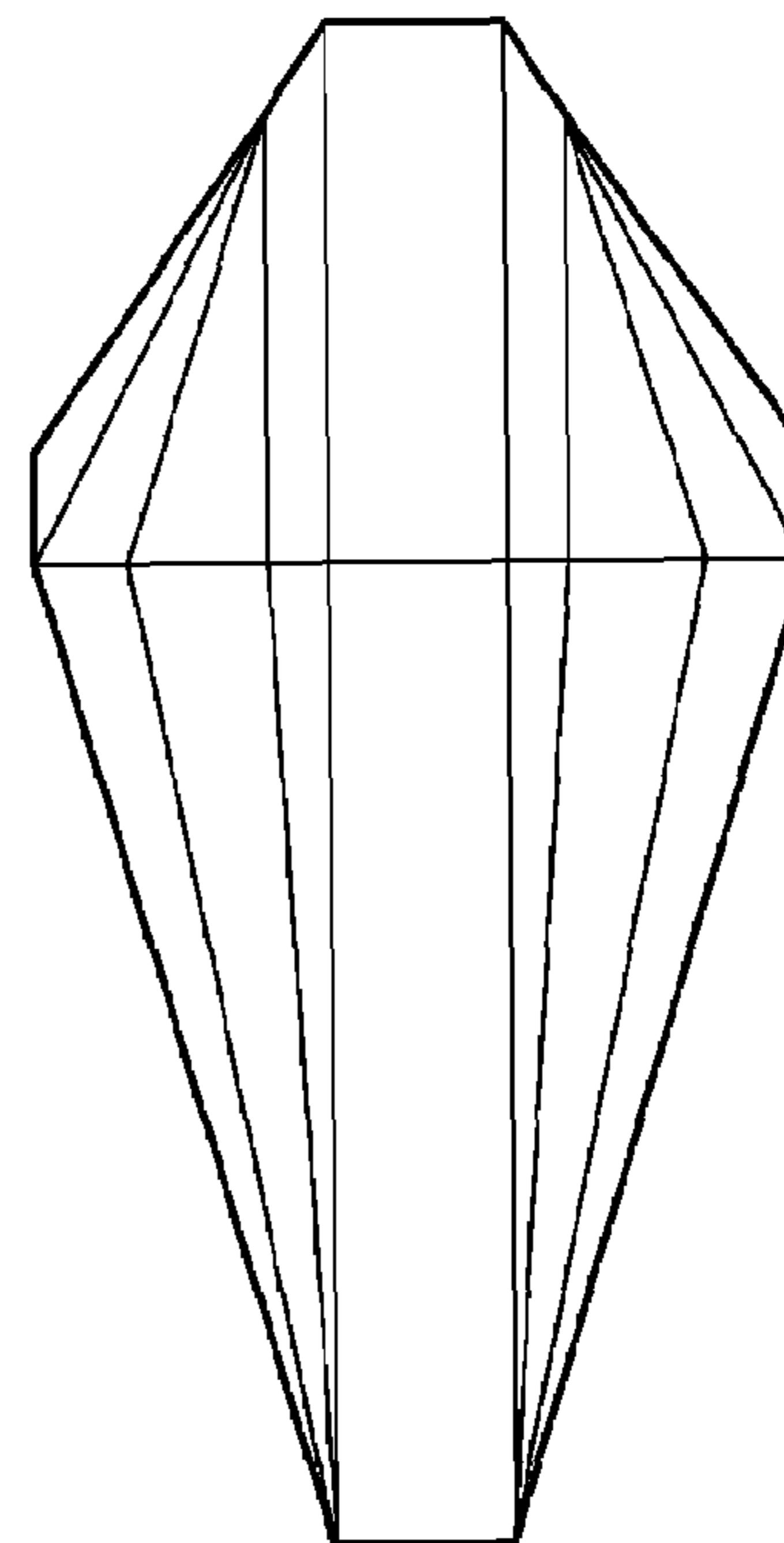
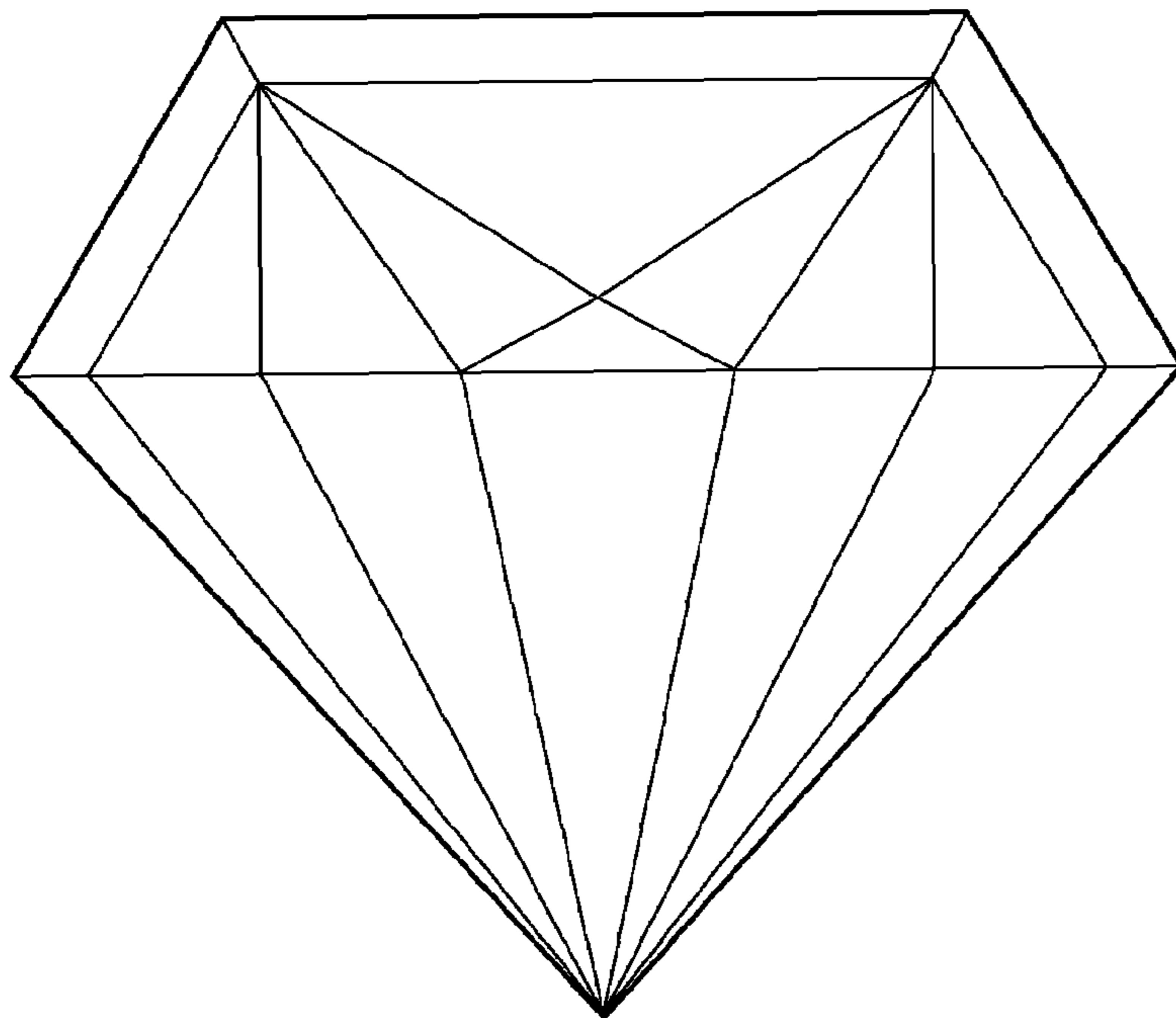
FIG. 1 is a front elevational view a gemstone design, the rear
elevational view being identical thereto.

FIG. 2 is a right side elevational view of the gemstone design
of FIG. 1, the left side elevational view being identical
thereto.

FIG. 3 is a top plan view of the gemstone design of FIG. 1;
and,

FIG. 4 is a bottom plan view of the gemstone design of FIG.
1.

1 Claim, 2 Drawing Sheets



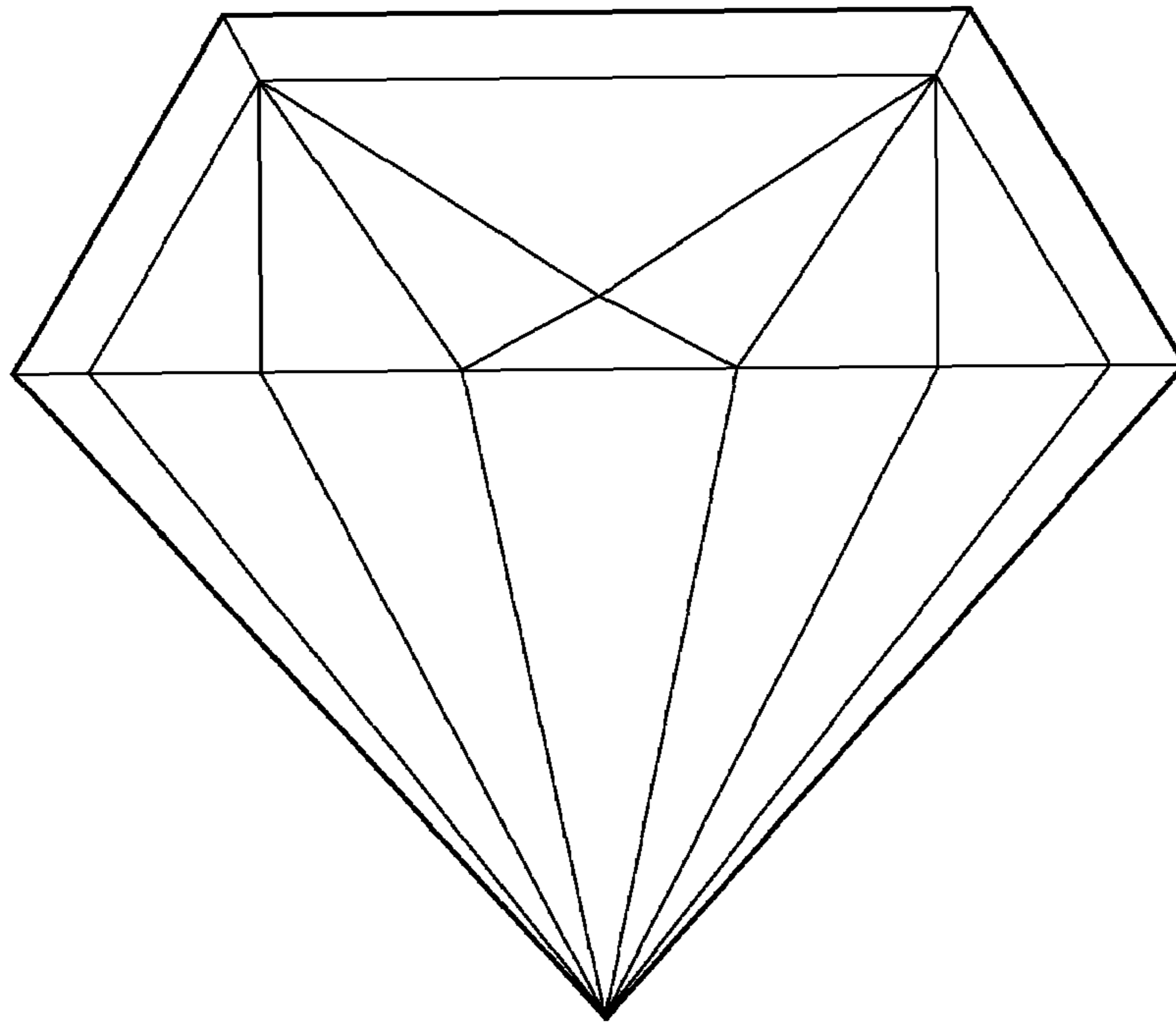


FIG. 1

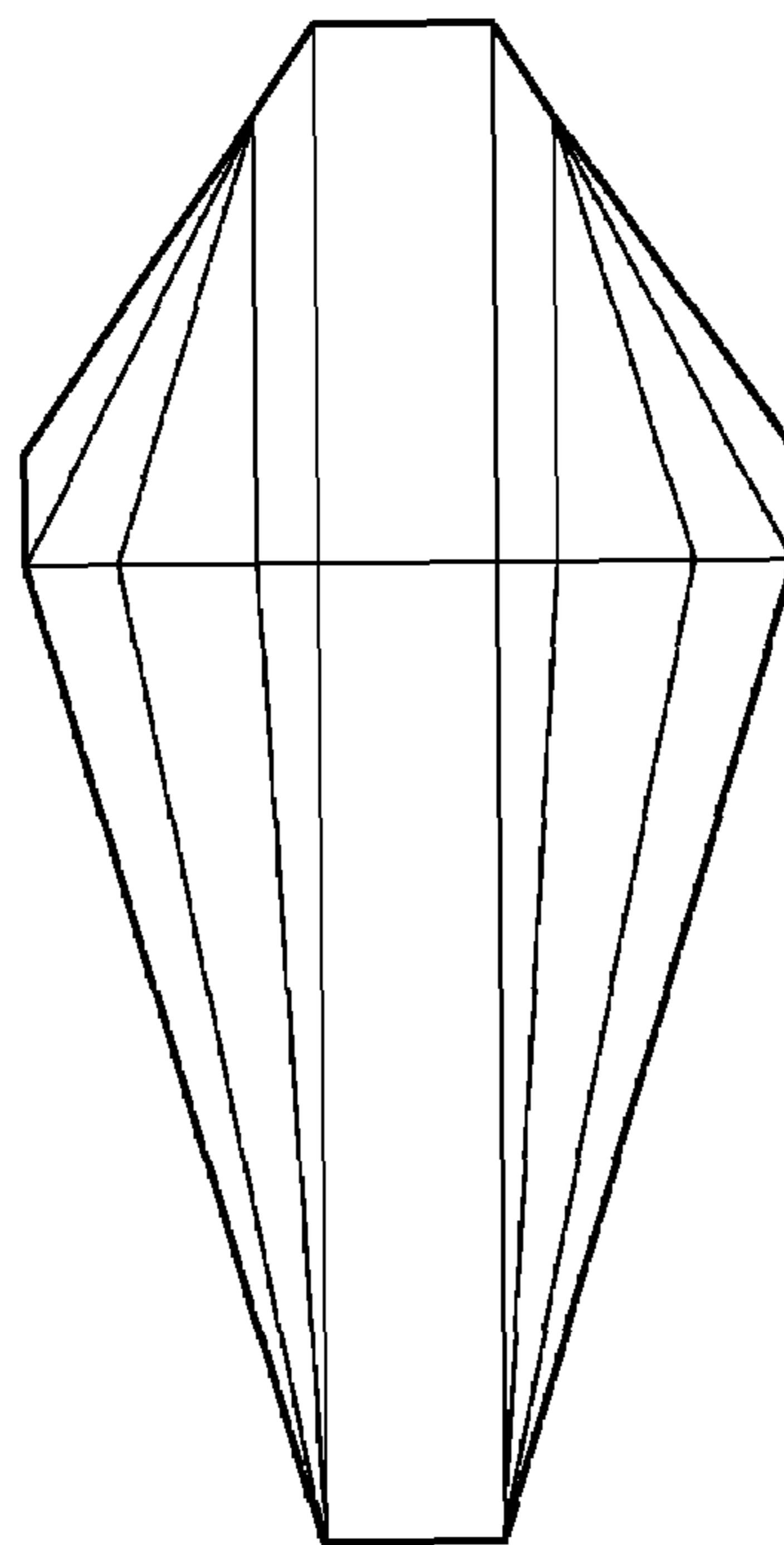


FIG. 2

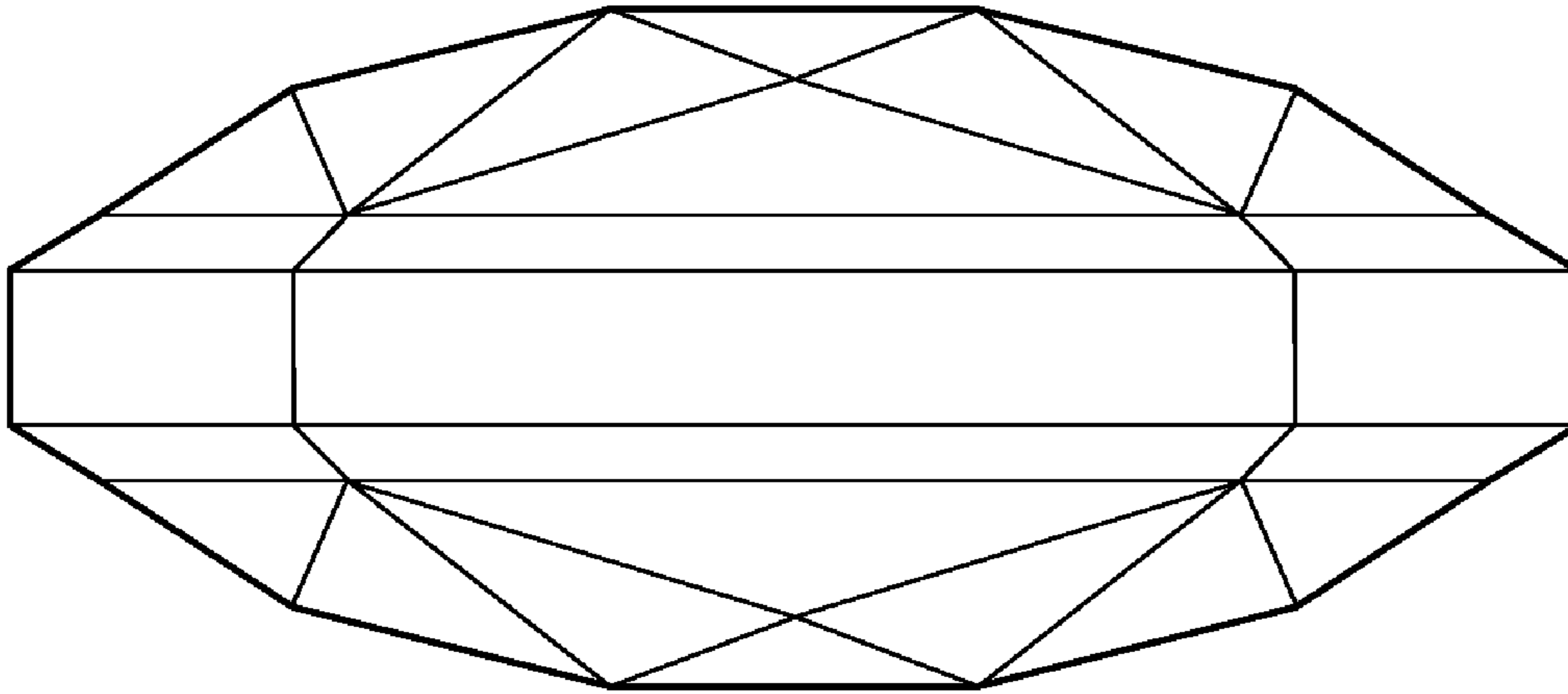


FIG. 3

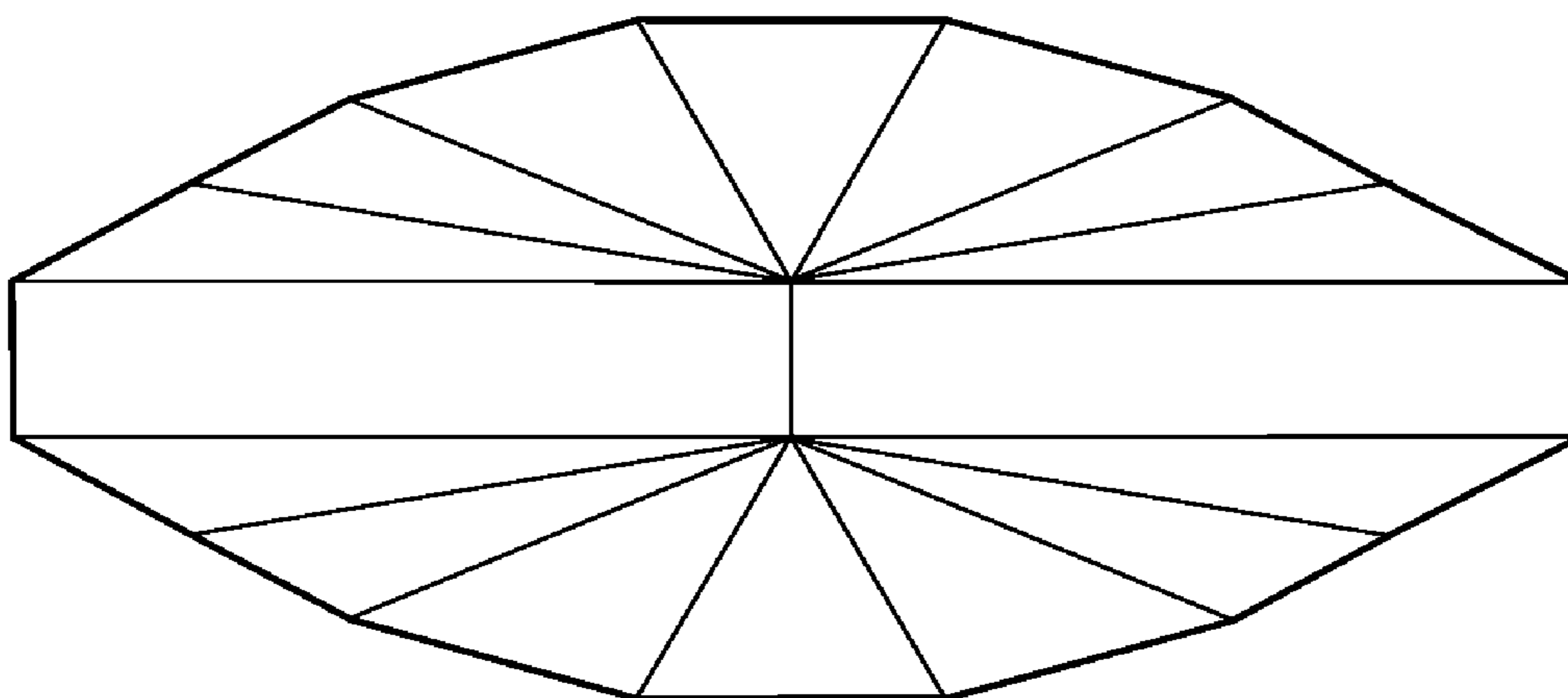


FIG. 4