



US00D562178S

(12) **United States Design Patent**
Tsror

(10) **Patent No.:** **US D562,178 S**

(45) **Date of Patent:** **** Feb. 19, 2008**

(54) **DIAMOND SETTING**

(76) Inventor: **Jackob Tsror**, 34 Derekh Negba,
Ramat-Gan (IL) 52337

(**) Term: **14 Years**

(21) Appl. No.: **29/274,750**

(22) Filed: **May 21, 2007**

(30) **Foreign Application Priority Data**

Nov. 21, 2006 (IL) 43346

(51) **LOC (8) Cl.** **11-01**

(52) **U.S. Cl.** **D11/90**

(58) **Field of Classification Search** D11/1-2,
D11/26-29, 89-92; 63/26-28, 32
See application file for complete search history.

(56) **References Cited**

U.S. PATENT DOCUMENTS

D423,396 S * 4/2000 Wolf D11/90

D440,902 S * 4/2001 Wolf D11/90
D459,269 S * 6/2002 Libovich et al. D11/90
D511,476 S * 11/2005 Siman-Tov et al. D11/90
D514,977 S * 2/2006 Mehta D11/90

* cited by examiner

Primary Examiner—Ralf Seifert

(57) **CLAIM**

The ornamental design of a diamond setting, as shown and described.

DESCRIPTION

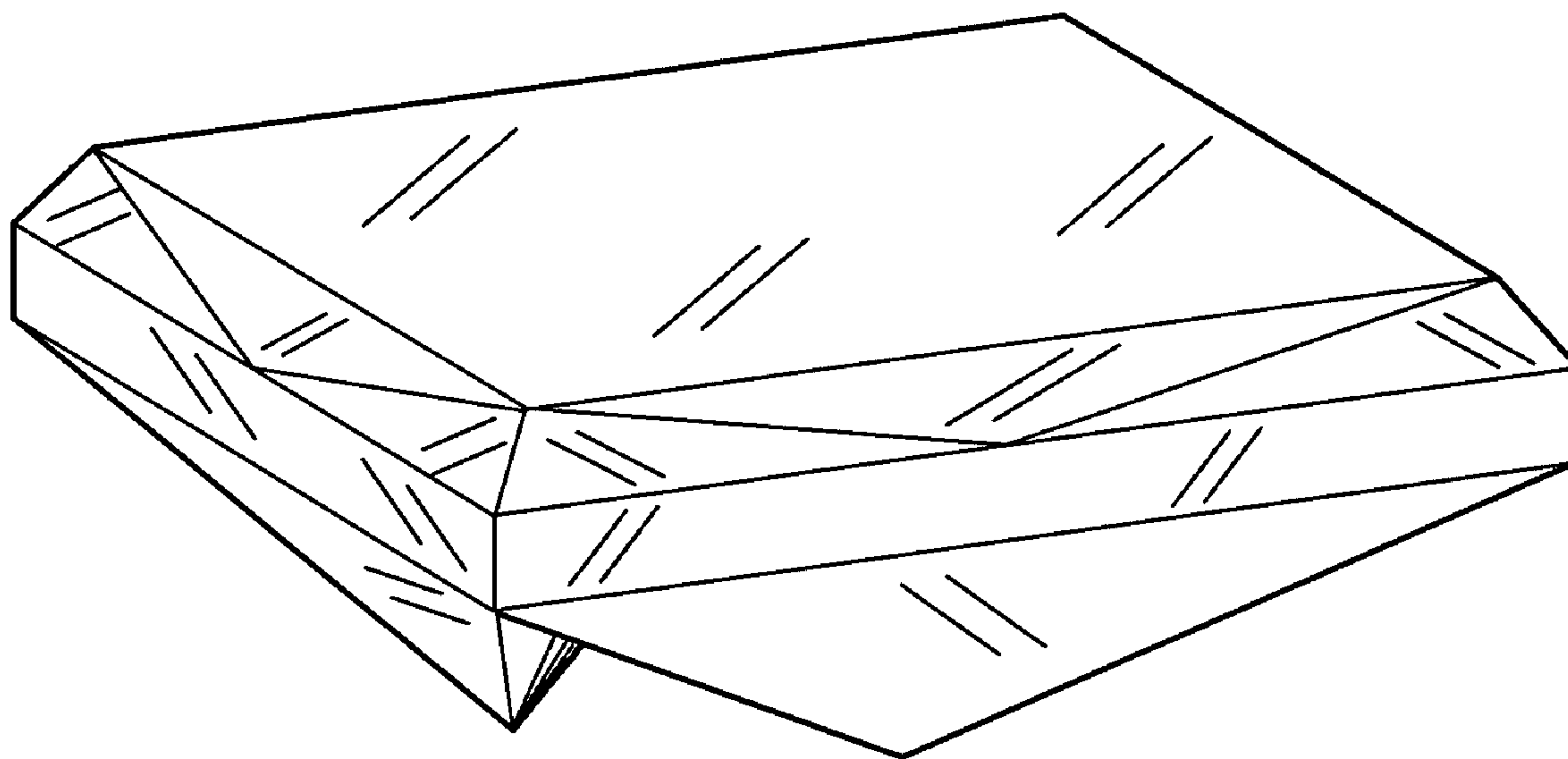
FIG. 1 is a top view of a diamond setting showing my new design;

FIG. 2 is a bottom view thereof;

FIG. 3 is a front view thereof; and,

FIG. 4 is a perspective view thereof.

1 Claim, 3 Drawing Sheets



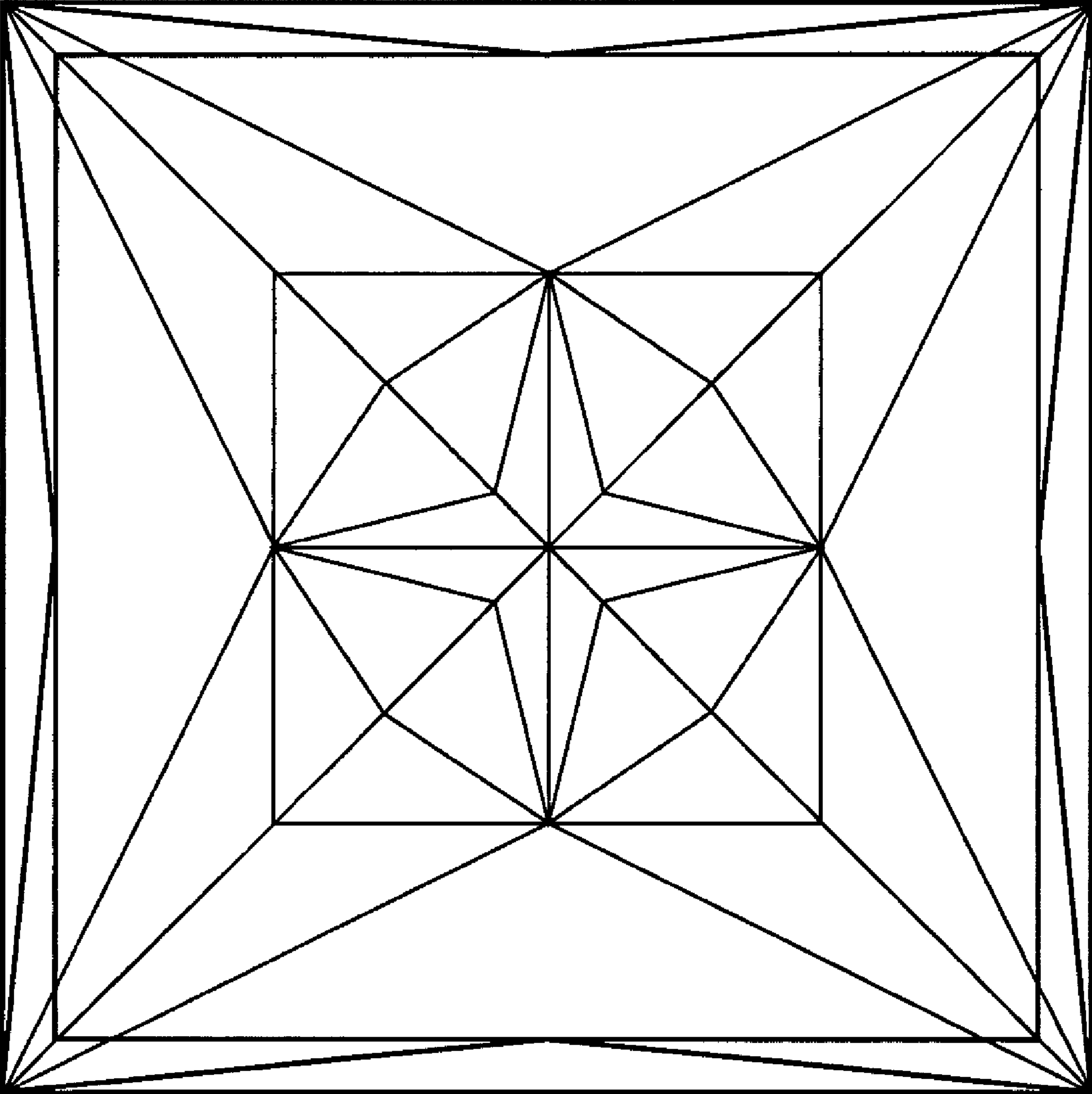


Fig. 1

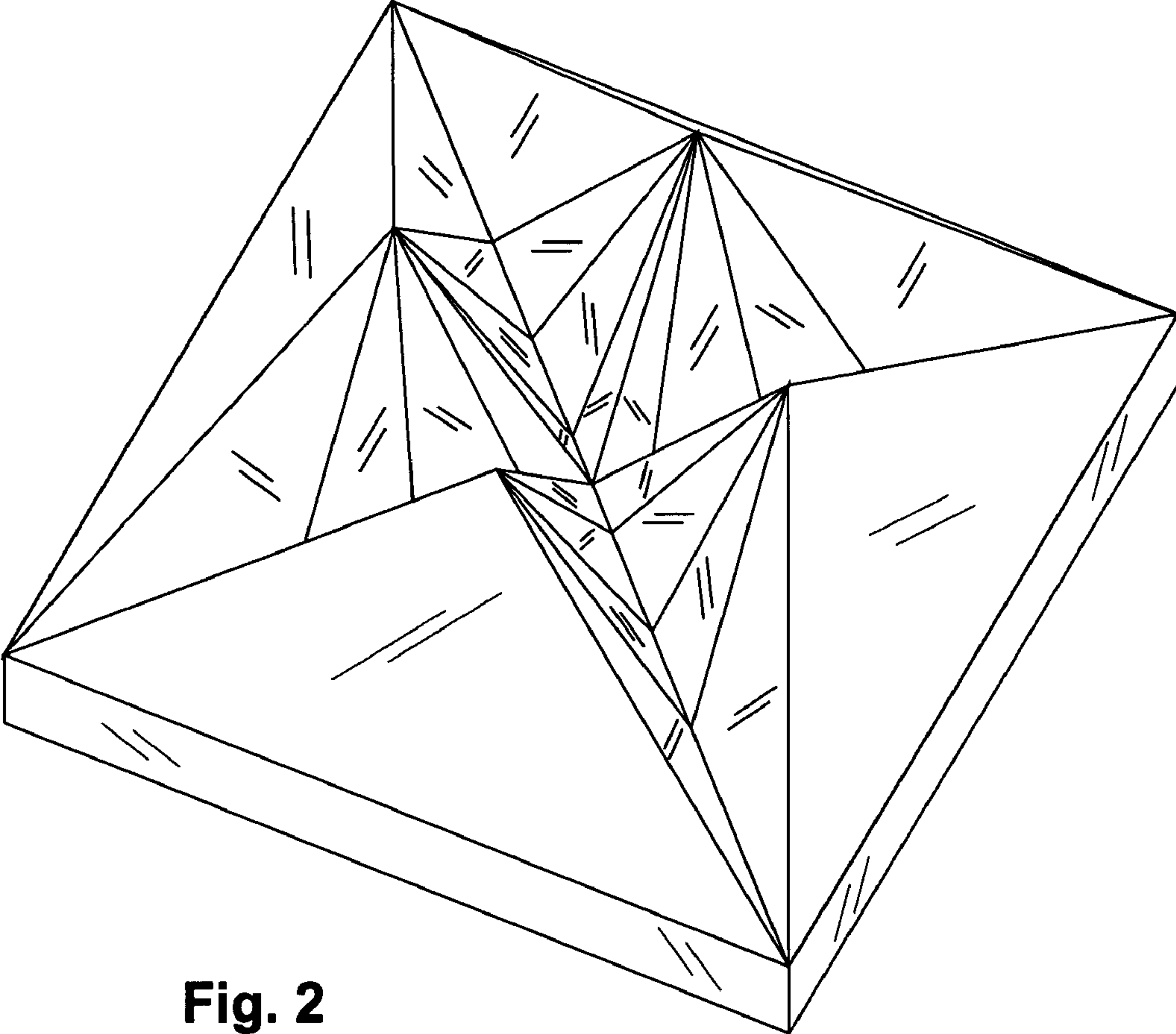


Fig. 2

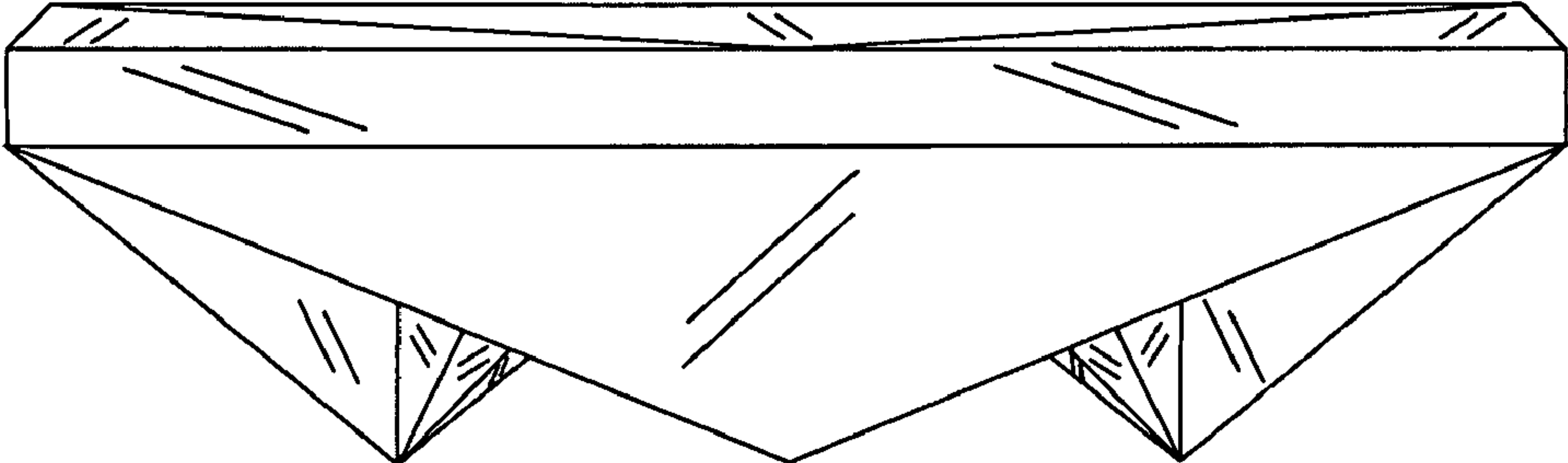


Fig. 3

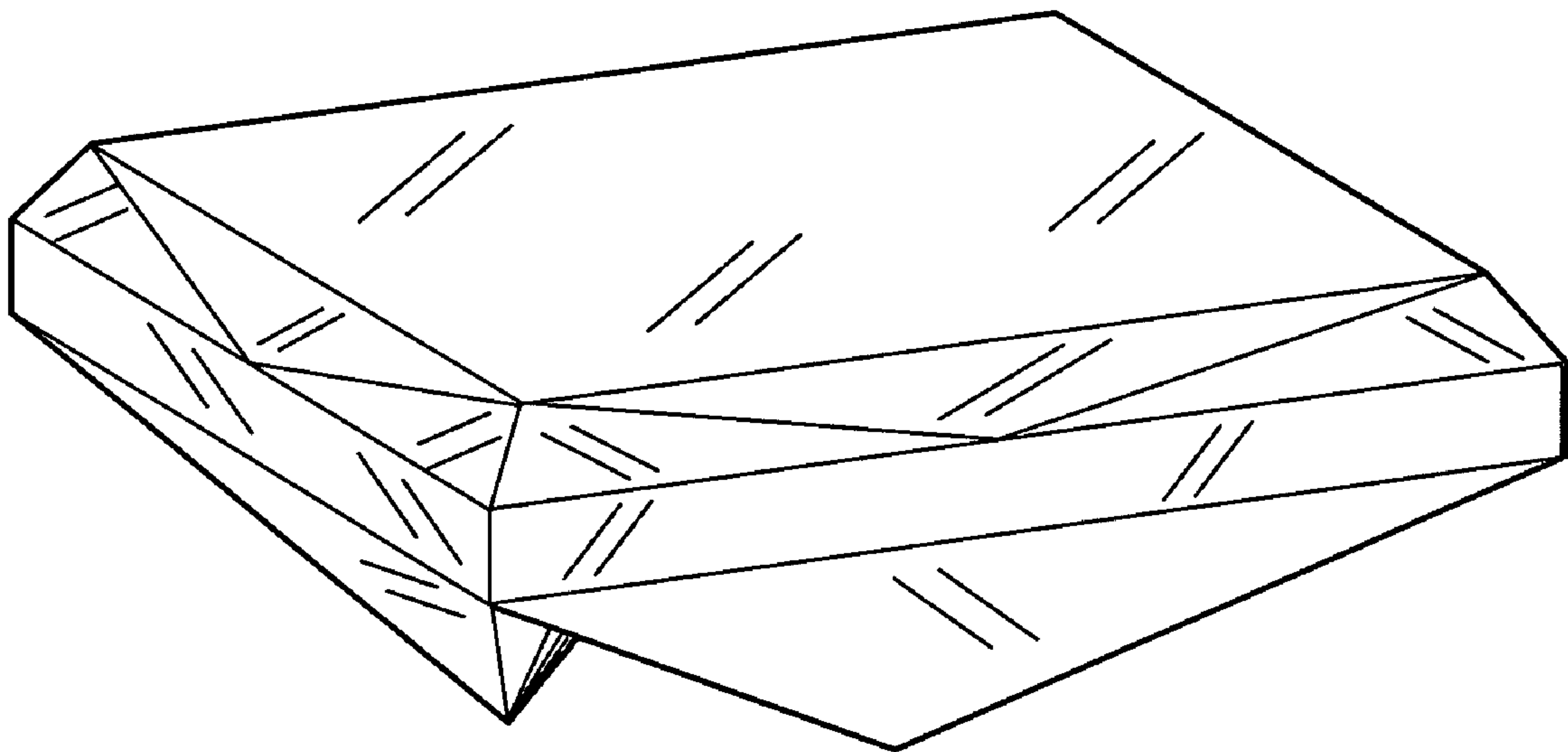


FIG. 4