

US00D562175S

(12) **United States Design Patent**
Miller

(10) **Patent No.:** **US D562,175 S**

(45) **Date of Patent:** **** Feb. 19, 2008**

(54) **RING**

D506,157 S * 6/2005 Hardy D11/35
D511,309 S * 11/2005 Hardy D11/35

(76) Inventor: **Glenn A. Miller**, 4909 Lakewood
Blvd., Suite 500, Lakewood, CA (US)
90712

* cited by examiner

(**) Term: **14 Years**

Primary Examiner—Charles A. Rademaker
Assistant Examiner—Melanie Levy
(74) *Attorney, Agent, or Firm*—Fulbright & Jaworski LLP

(21) Appl. No.: **29/278,373**

(57) **CLAIM**

(22) Filed: **Mar. 27, 2007**

The ornamental design for a ring, as shown and described.

(51) **LOC (8) Cl.** **11-01**

(52) **U.S. Cl.** **D11/35**

(58) **Field of Classification Search** D11/26-39,
D11/3, 89-92; 63/15, 15.1-15.4, 15.45,
63/15.5, 15.6, 15.65, 15.7, 26-27
See application file for complete search history.

DESCRIPTION

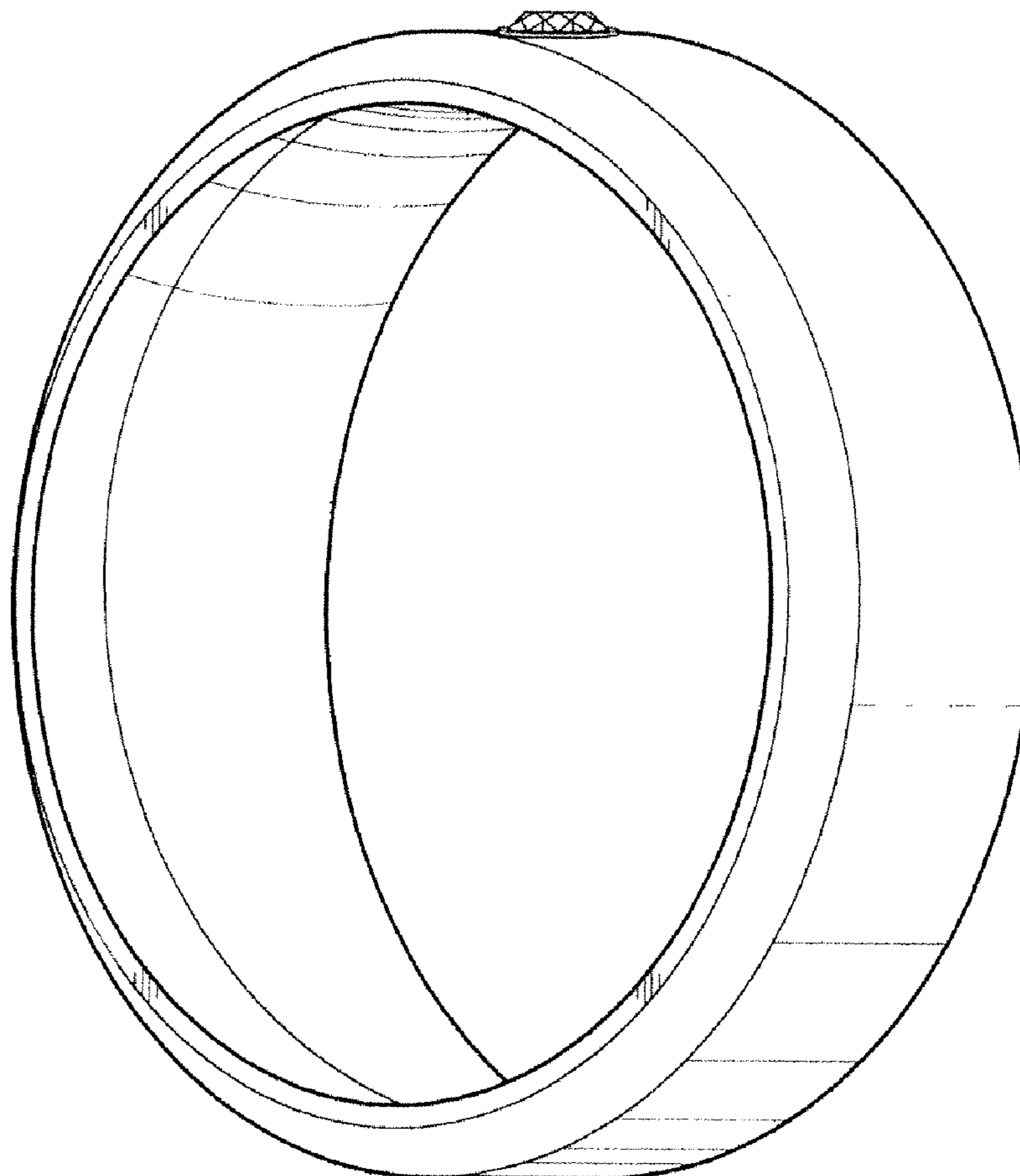
FIG. 1 is a perspective view of the ring;
FIG. 2 is a top view thereof;
FIG. 3 is a front view thereof, the rear view being a mirror
image;
FIG. 4 is a right view thereof, the left view being a mirror
image; and,
FIG. 5 is a bottom view thereof.

(56) **References Cited**

U.S. PATENT DOCUMENTS

D431,792 S * 10/2000 Ferreira D11/26
D453,486 S * 2/2002 Zillig D11/38
D473,155 S * 4/2003 Bonnet D11/26

1 Claim, 3 Drawing Sheets



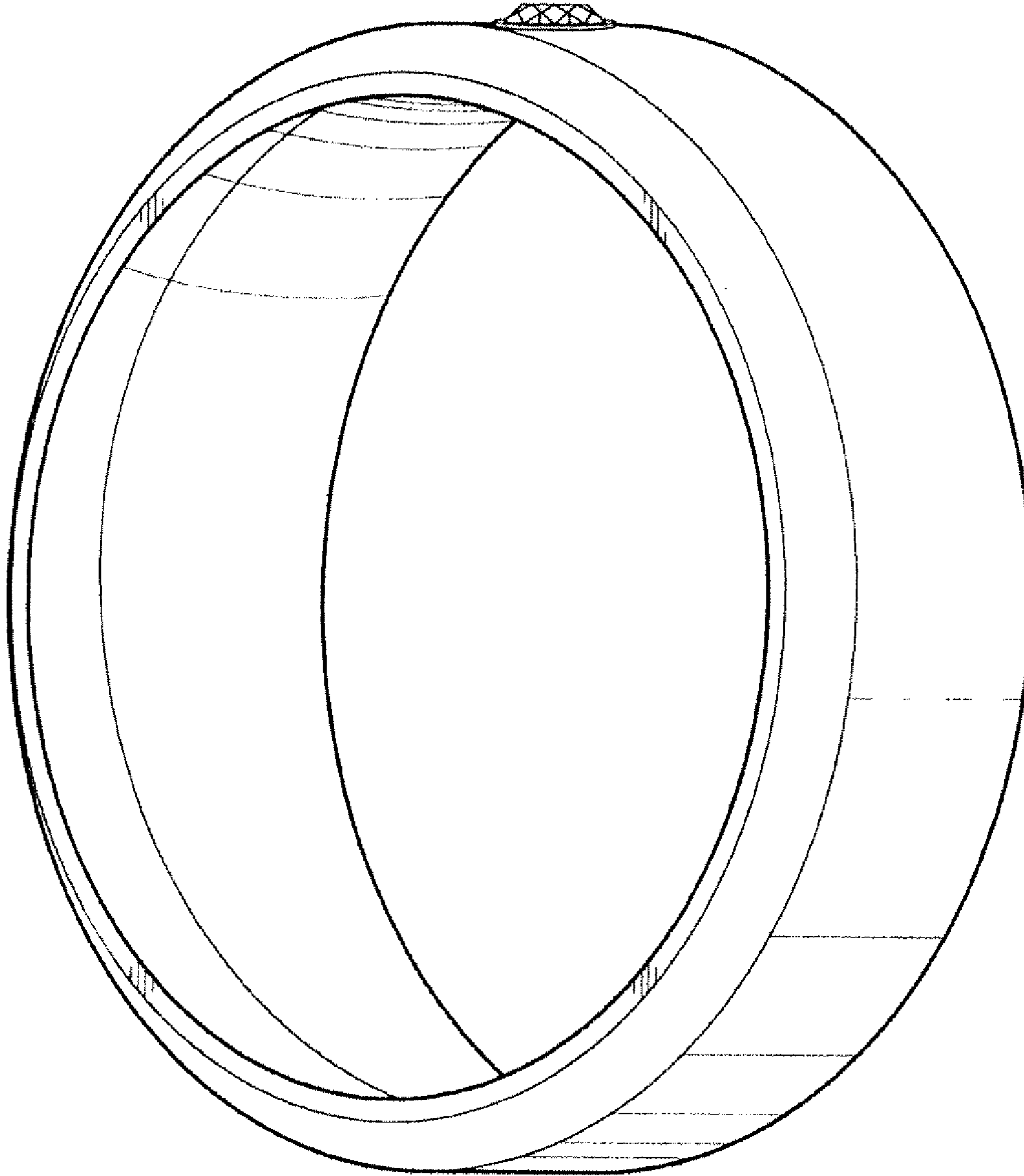


FIG. 1

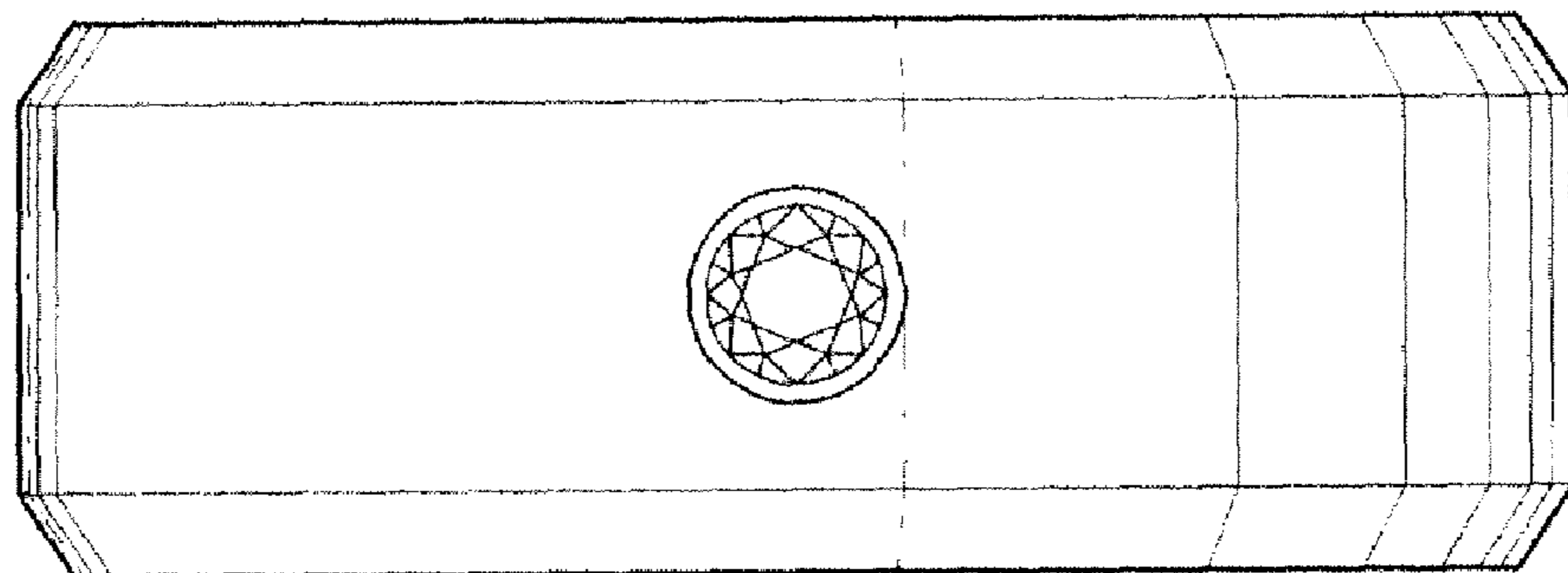


FIG. 2

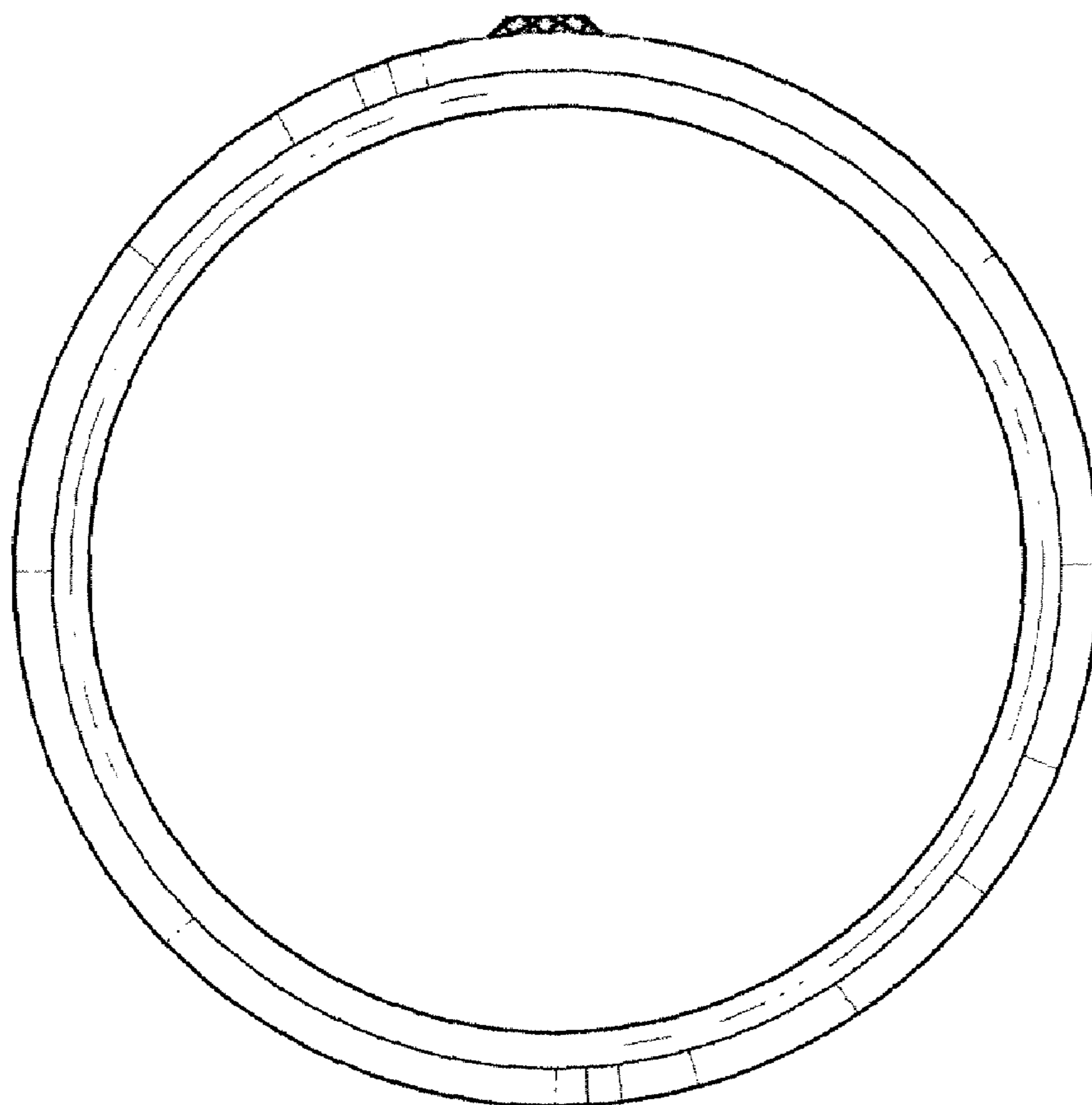


FIG. 3

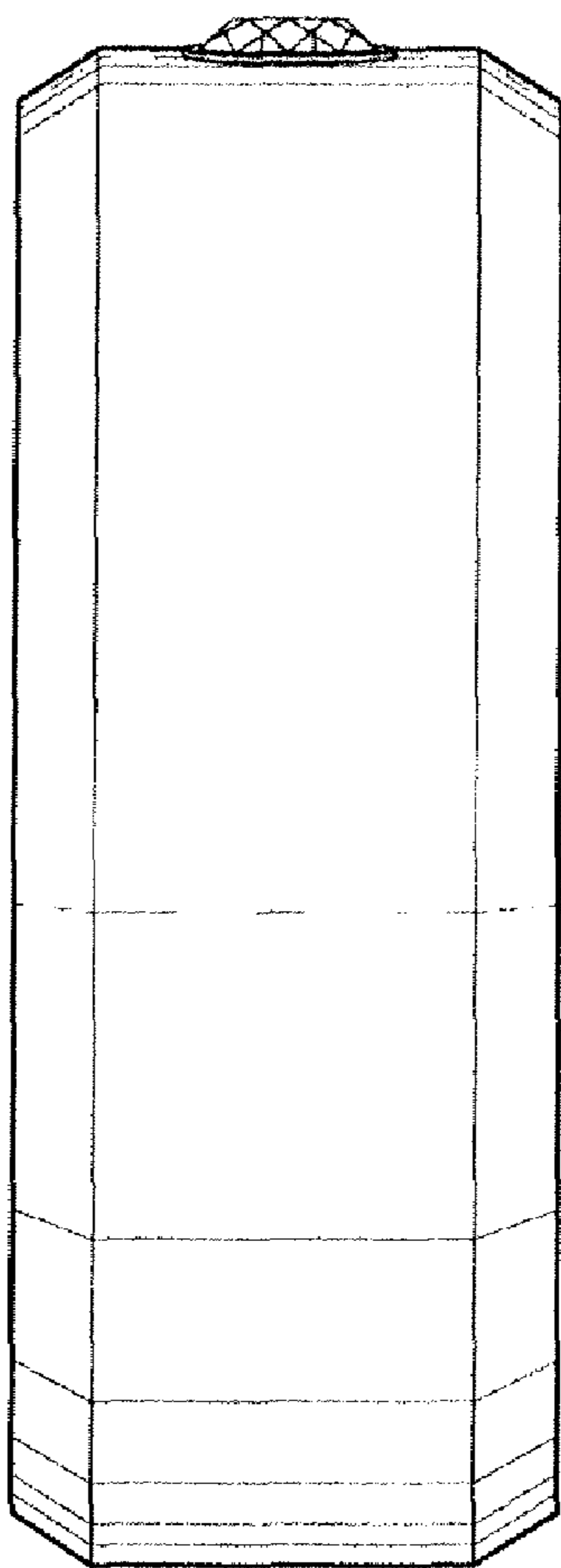


FIG. 4

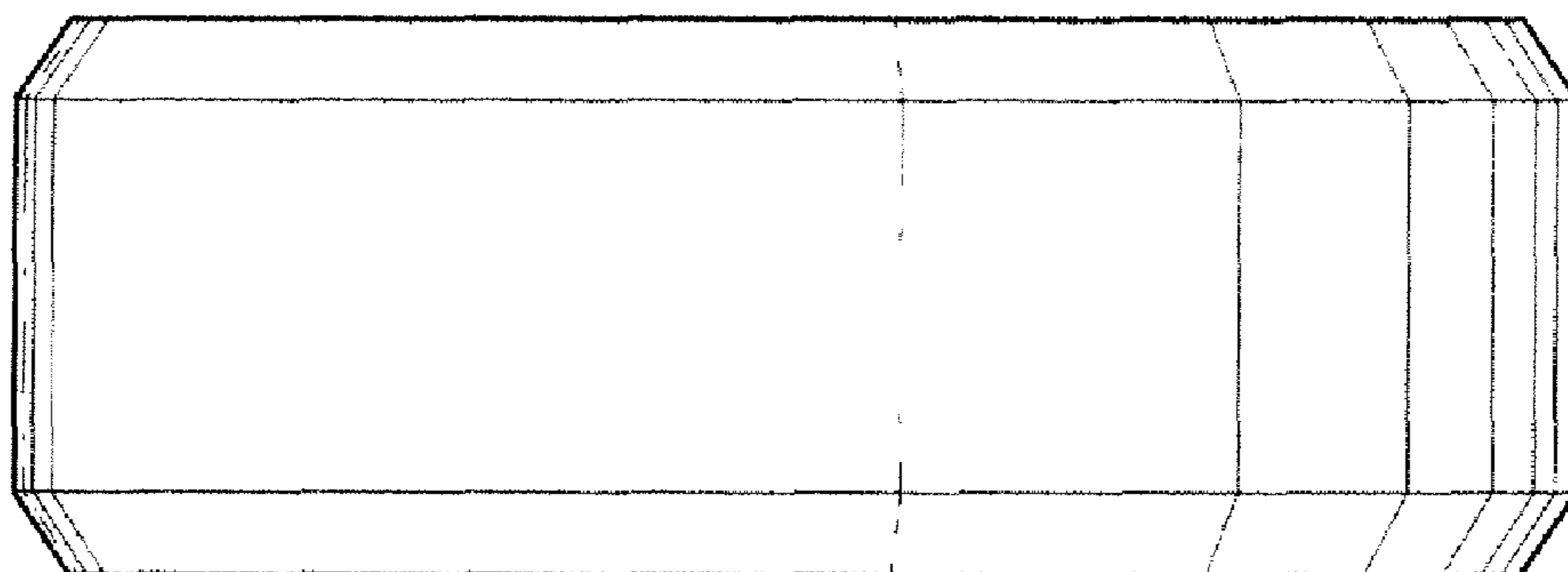


FIG. 5