



US00D562174S

(12) **United States Design Patent**  
**Miller**

(10) **Patent No.:** **US D562,174 S**  
(45) **Date of Patent:** **\*\* Feb. 19, 2008**

(54) **RING**

(76) Inventor: **Glenn A. Miller**, 4909 Lakewood Blvd., Suite 500, Lakewood, CA (US) 90712

(\*\*) Term: **14 Years**

(21) Appl. No.: **29/278,374**

(22) Filed: **Mar. 27, 2007**

(51) **LOC (8) Cl.** ..... **11-01**

(52) **U.S. Cl.** ..... **D11/34**

(58) **Field of Classification Search** ..... D11/3,  
D11/26-39, 89-92; 63/15, 15.1-15.4, 15.45,  
63/15.5, 15.6, 15.65, 15.7, 26-27  
See application file for complete search history.

(56) **References Cited**

U.S. PATENT DOCUMENTS

D257,021 S *	9/1980	Barr	.....	D11/34
D285,544 S *	9/1986	Bulgari	.....	D11/34
5,806,344 A *	9/1998	Bonchek	.....	63/15.1
D431,792 S *	10/2000	Ferreira	.....	D11/26
D453,486 S *	2/2002	Zillig	.....	D11/38

D473,155 S *	4/2003	Bonnet	.....	D11/26
D506,157 S *	6/2005	Hardy	.....	D11/26
D511,309 S *	11/2005	Hardy	.....	D11/26
D537,376 S *	2/2007	Gorrie	.....	D11/34
7,225,149 B2 *	5/2007	Silberstein et al.	.....	D11/34

\* cited by examiner

*Primary Examiner*—Ian Simmons

*Assistant Examiner*—Melanie Levy

(74) *Attorney, Agent, or Firm*—Fulbright & Jaworski LLP

(57) **CLAIM**

The ornamental design for a ring, as shown and described.

**DESCRIPTION**

FIG. 1 is a perspective view of the ring;

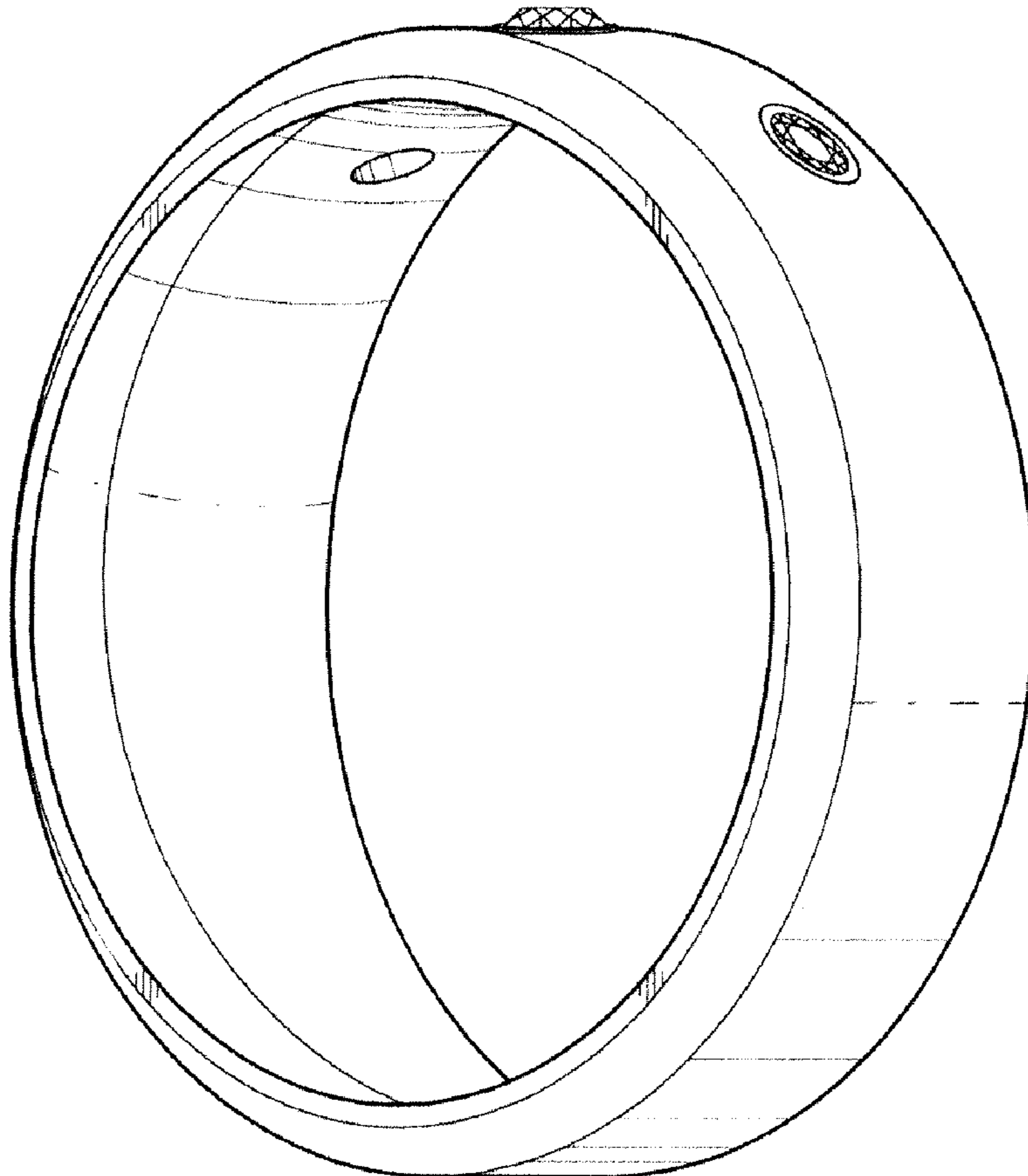
FIG. 2 is a top view thereof;

FIG. 3 is a front view thereof, the rear view being a mirror image;

FIG. 4 is a right view thereof, the left view being a mirror image; and,

FIG. 5 is a bottom view thereof.

**1 Claim, 3 Drawing Sheets**



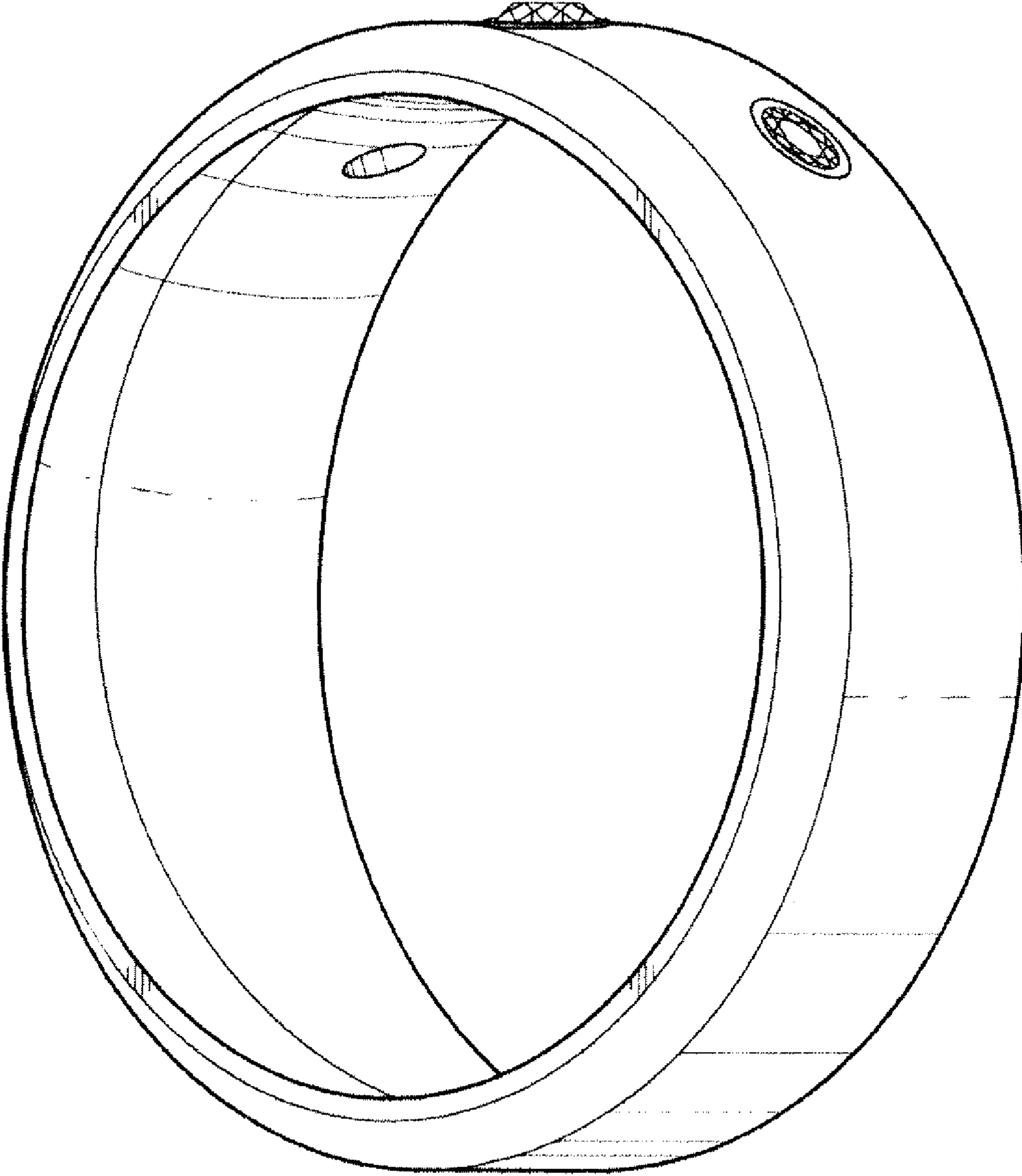


FIG. 1

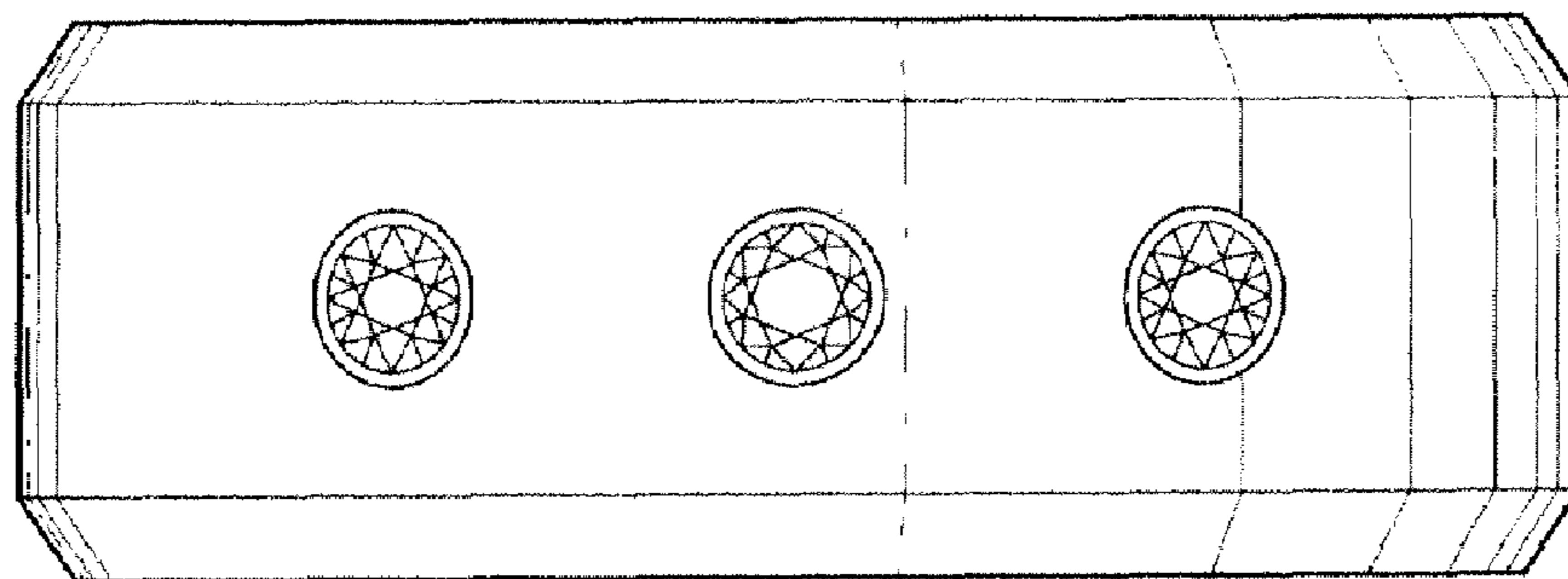


FIG. 2

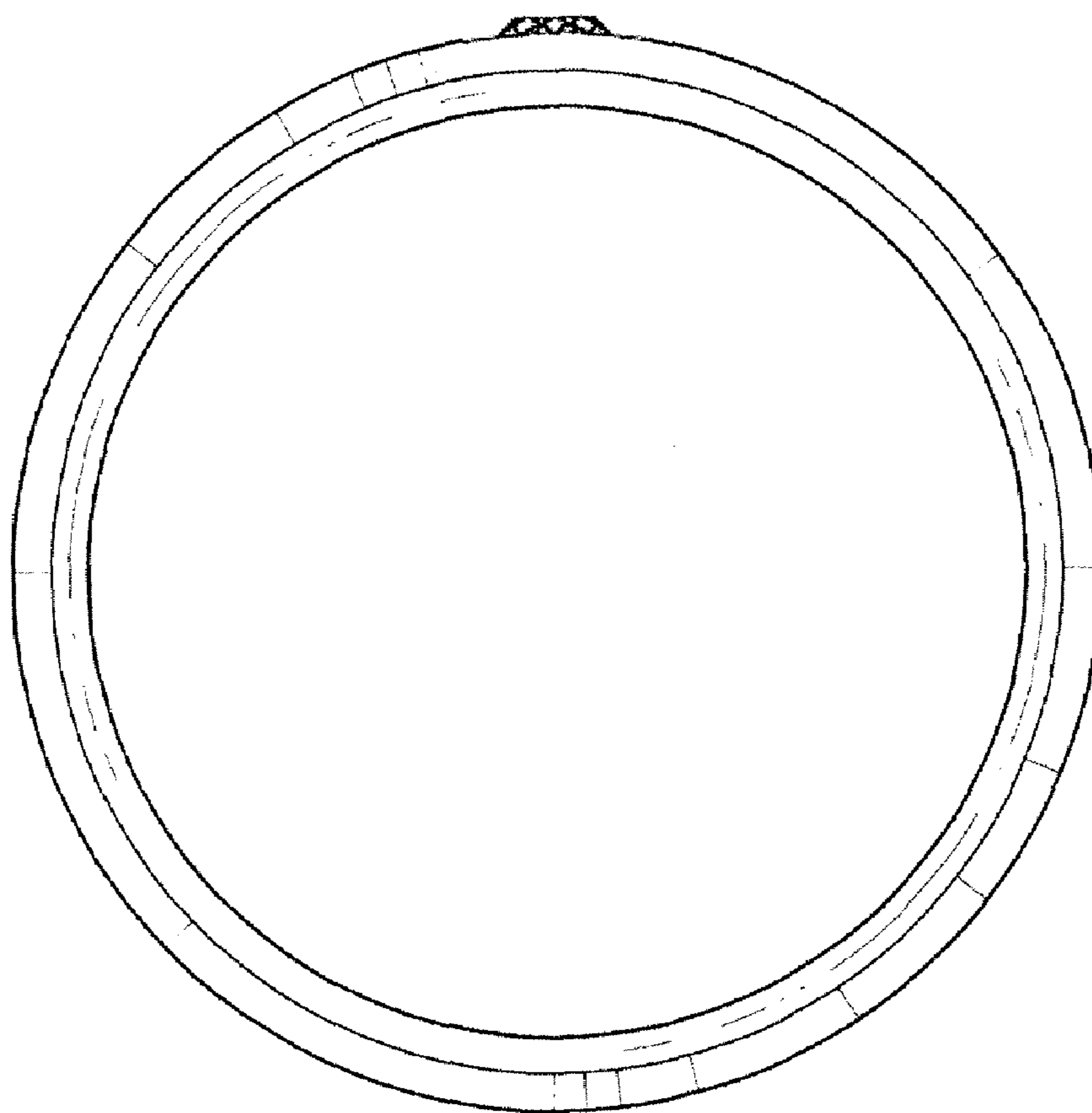
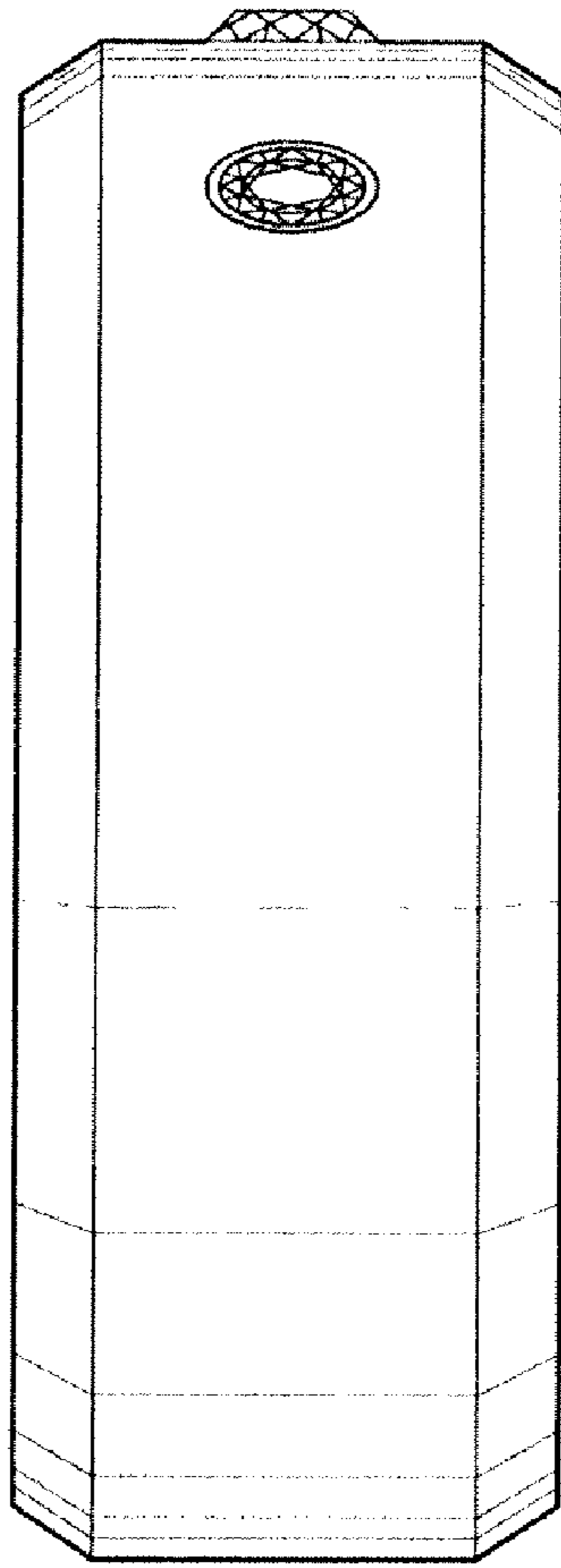
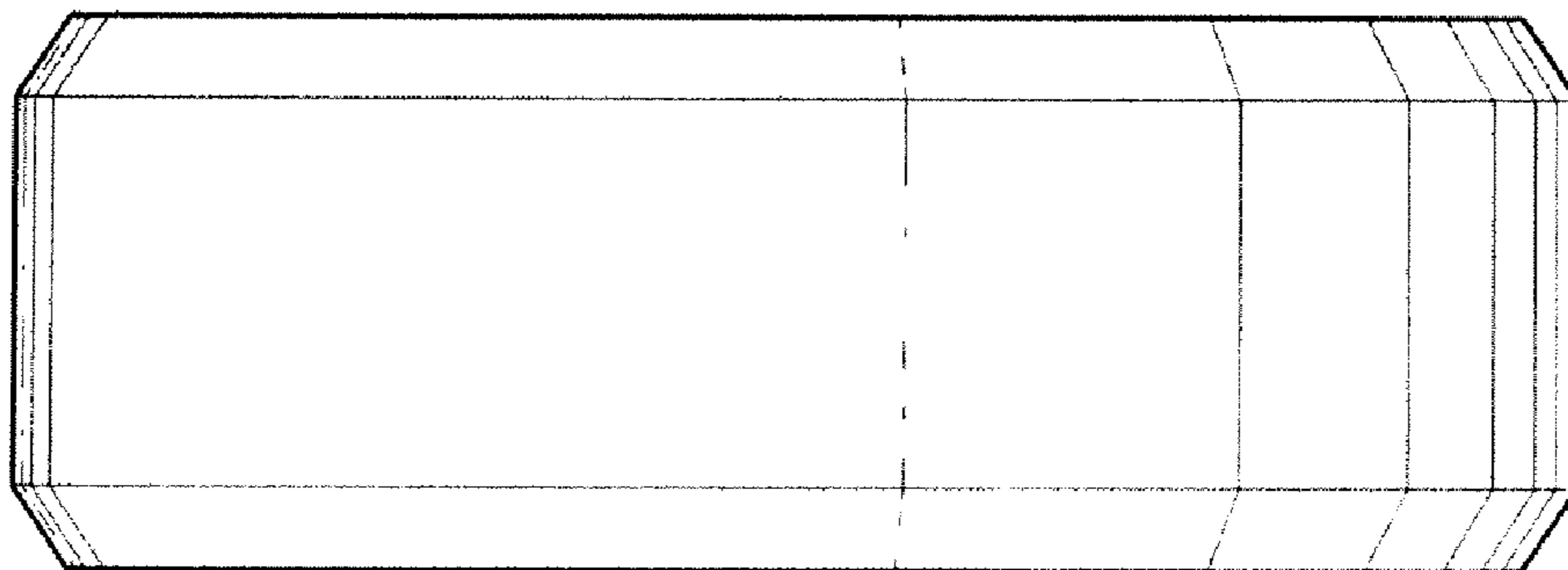


FIG. 3



*FIG. 4*



*FIG. 5*