

US00D562172S

(12) **United States Design Patent**  
**Yuengling**

(10) **Patent No.:** **US D562,172 S**

(45) **Date of Patent:** **\*\* Feb. 19, 2008**

(54) **WRIST BAND HOLDING A PROXIMITY  
PAYMENT DEVICE**

D524,678 S \* 7/2006 Fishman et al. .... D11/2  
D543,192 S \* 5/2007 Jung ..... D14/138

(75) Inventor: **Jo-Ann Yuengling**, Tappan, NY (US)

**OTHER PUBLICATIONS**

[http://cardweb.com/images/m/mastercard/mcppwristbank\\_h.jpg8/23/2007](http://cardweb.com/images/m/mastercard/mcppwristbank_h.jpg8/23/2007).\*

(73) Assignee: **Mastercard International  
Incorporated**, Purchase, NY (US)

\* cited by examiner

(\*\*) Term: **14 Years**

*Primary Examiner*—Cathron Brooks  
*Assistant Examiner*—Michael A. Pratt

(21) Appl. No.: **29/262,679**

(74) *Attorney, Agent, or Firm*—Baker Botts LLP; Manu J. Tejwani

(22) Filed: **Jul. 7, 2006**

(57) **CLAIM**

(51) **LOC (8) Cl.** ..... **11-01**

(52) **U.S. Cl.** ..... **D11/4**

(58) **Field of Classification Search** ..... D11/1–25,  
D11/32, 93, 94; 59/78, 79.2; 63/1.11, 3,  
63/3.1, 3.2, 5.1, 5.2, 7–11, DIG. 3; 224/175;  
D14/137, 156, 167, 240, 242, 299, 348, 344,  
D14/356, 384, 385, 402, 432, 496, 436; 439/518,  
439/139, 141, 144, 140, 638; 365/63; 710/74,  
710/62; D10/32

The ornamental design for a wrist band holding a proximity payment device, as shown and described.

See application file for complete search history.

**DESCRIPTION**

(56) **References Cited**

FIG. 1 is a perspective view of the wrist band holding a proximity payment device;

FIG. 2 is another perspective view of the wrist band holding a proximity payment device in use;

FIG. 3 is a top view of the wrist band holding a proximity payment device with the band in inverted position for inserting the payment device; and,

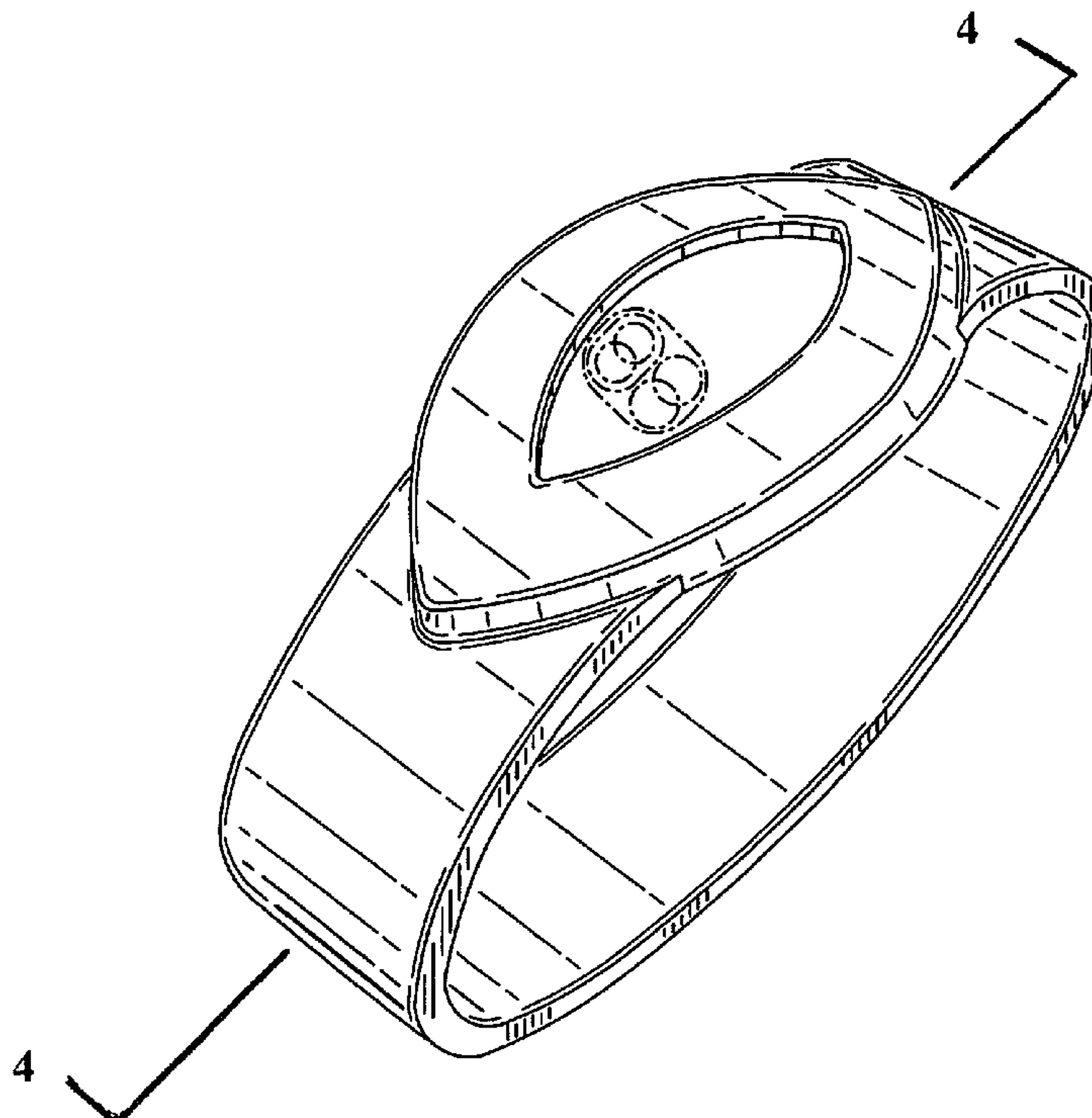
FIG. 4 is a cross sectional view of the wrist band holding a proximity payment device, taken along line 4—4 of FIG. 1.

The broken lines shown in the drawing are for the purpose of illustrating environment and form no part of the claimed design.

**U.S. PATENT DOCUMENTS**

- D454,551 S \* 3/2002 Bonadei et al. .... D14/138
- D459,352 S \* 6/2002 Giovanniello ..... D14/402
- D466,487 S \* 12/2002 Wada et al. .... D14/138
- D466,488 S \* 12/2002 Wada et al. .... D14/138
- D503,647 S \* 4/2005 Fishman et al. .... D11/4
- D507,550 S \* 7/2005 Kim et al. .... D14/138
- D508,031 S \* 8/2005 Kim et al. .... D14/138

**1 Claim, 2 Drawing Sheets**



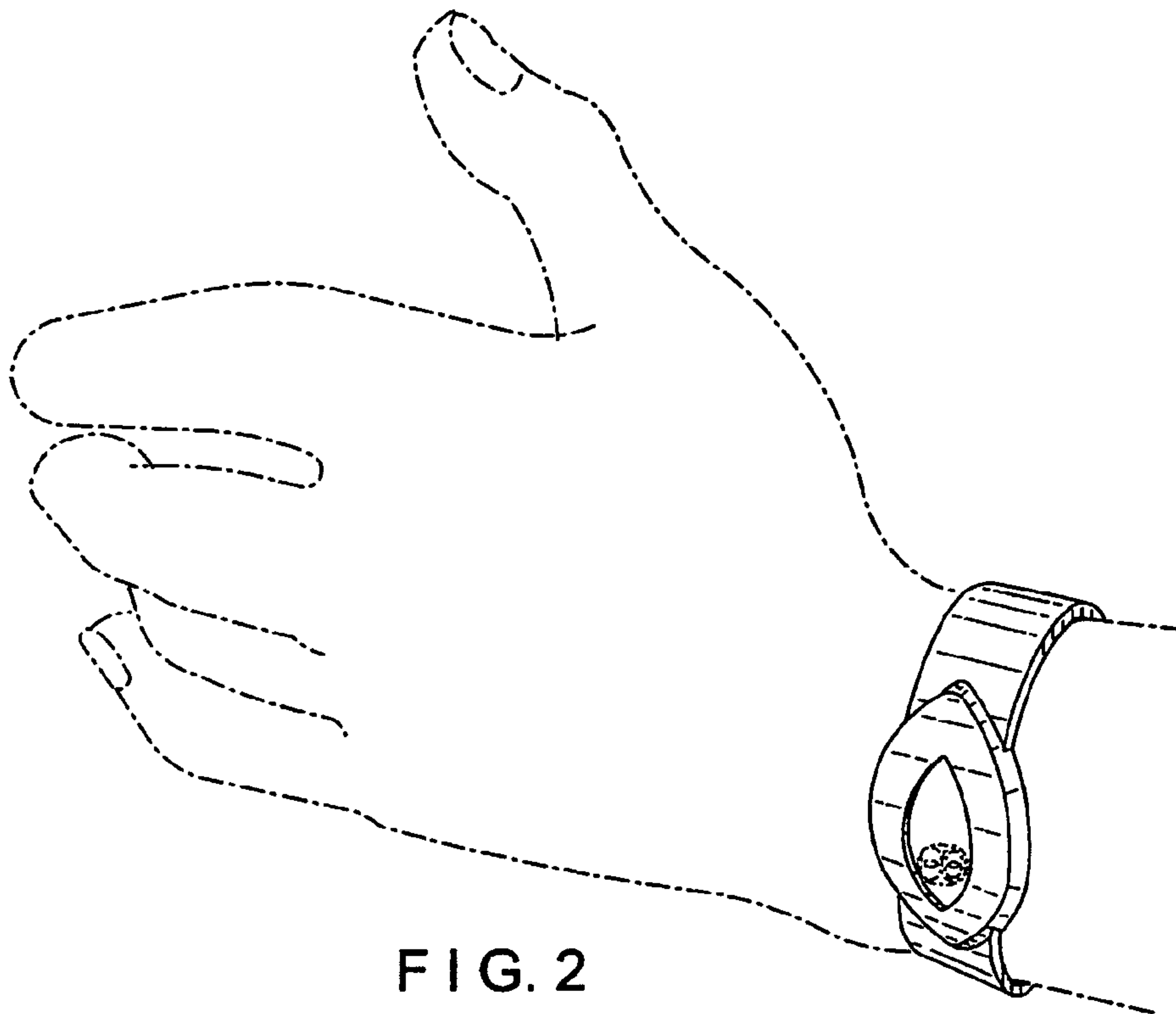
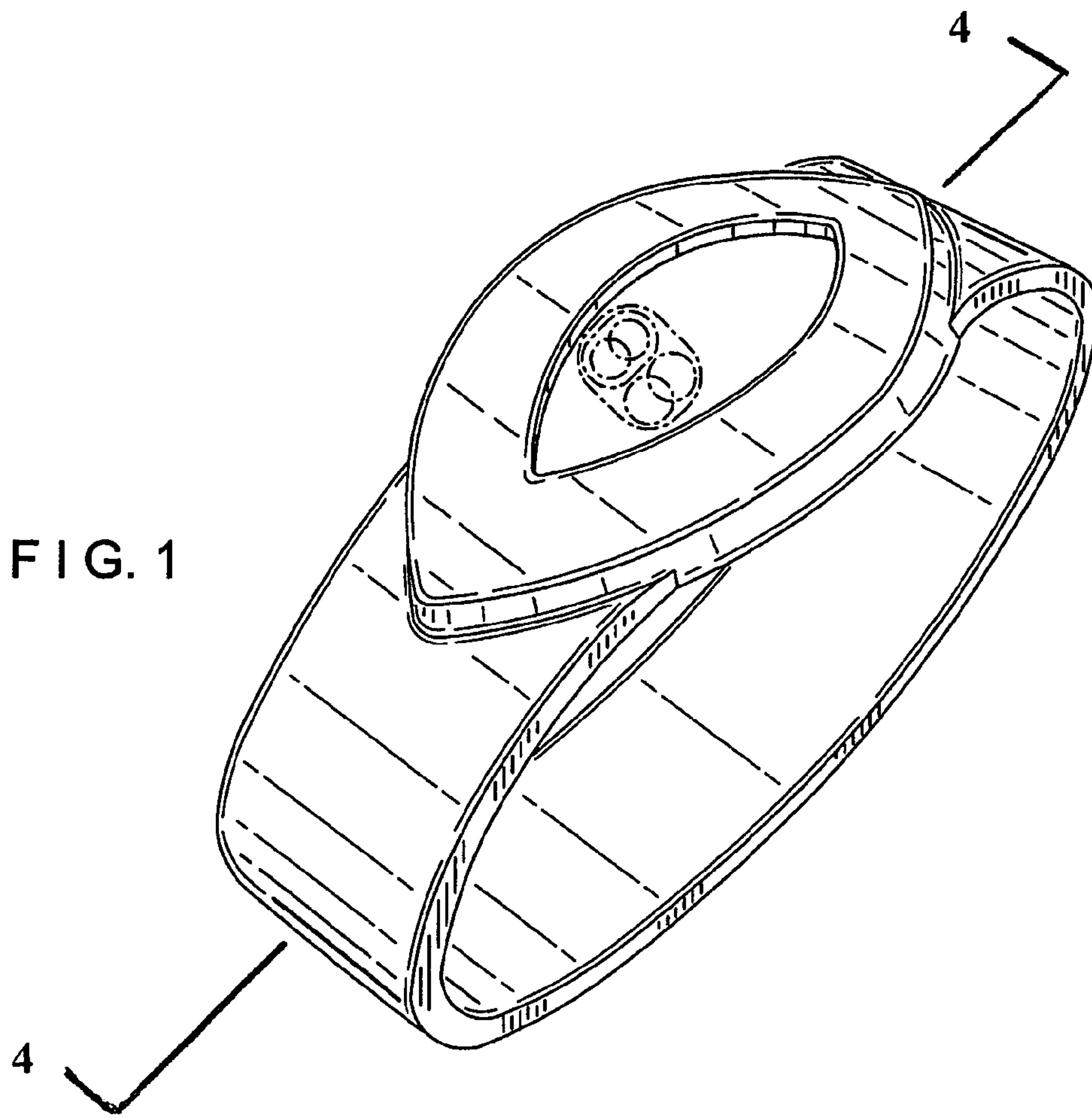


FIG. 3

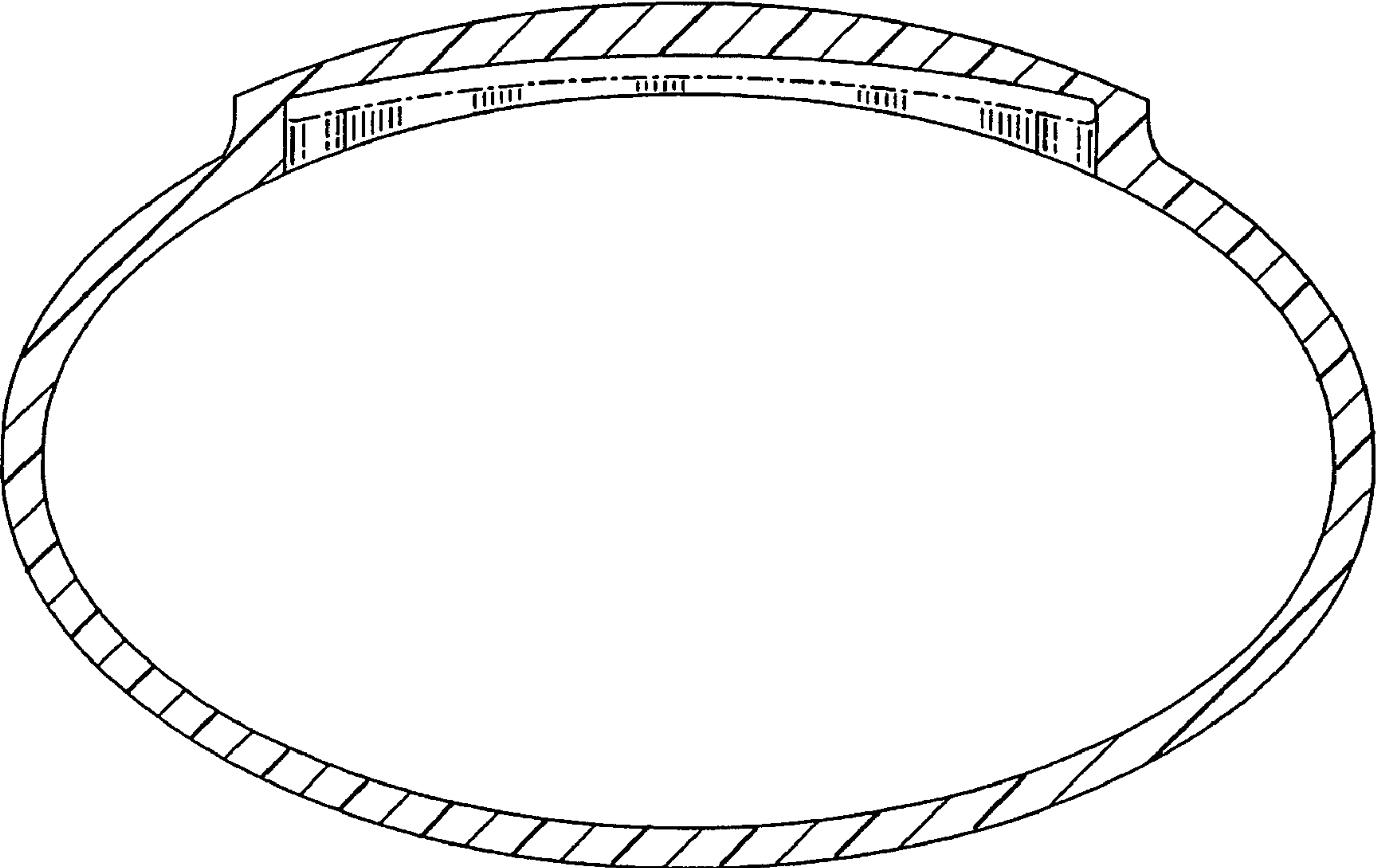
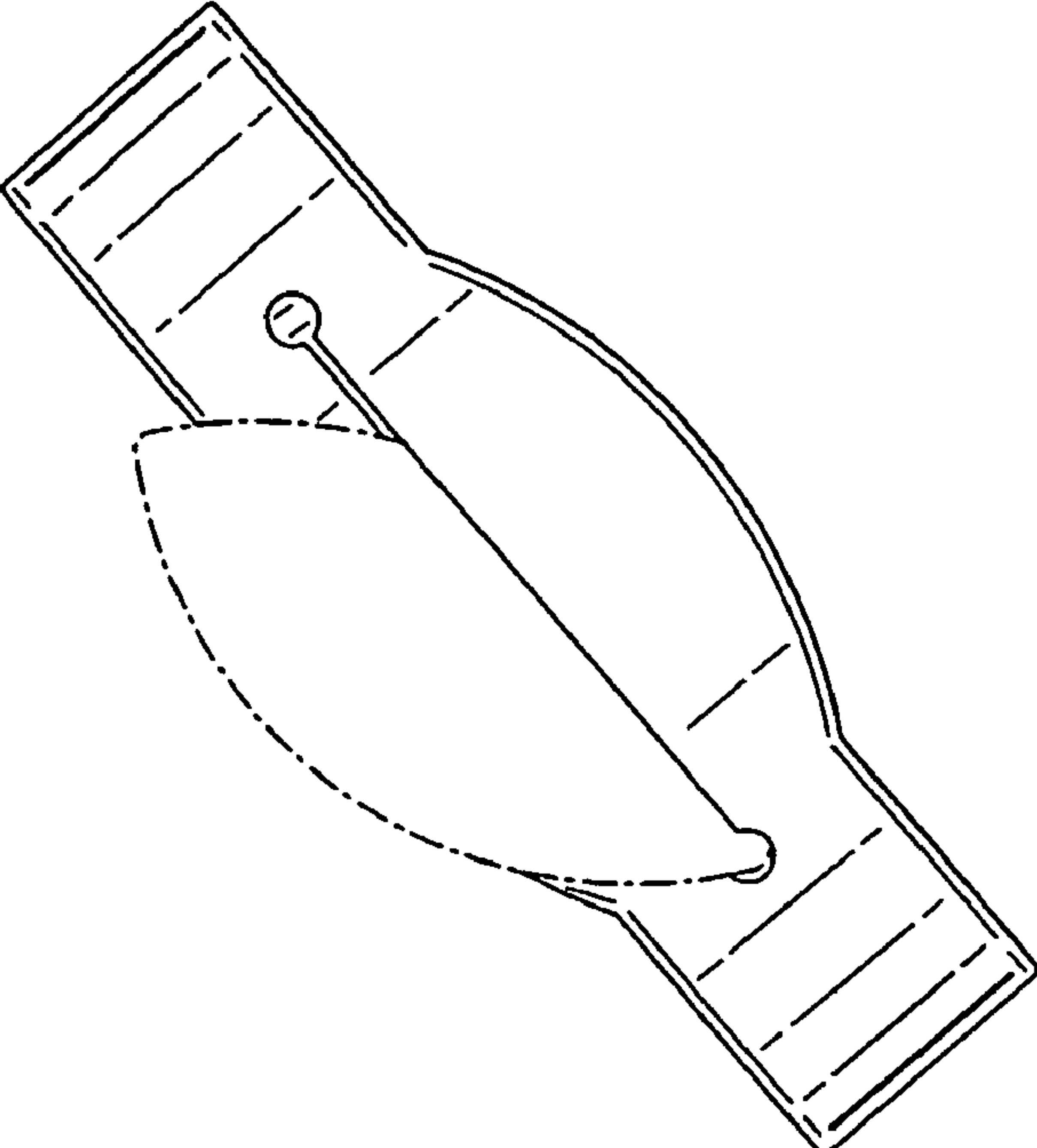


FIG. 4