



US00D562169S

(12) **United States Design Patent**
Oshima et al.

(10) **Patent No.:** **US D562,169 S**

(45) **Date of Patent:** **** Feb. 19, 2008**

(54) **FLOW DETECTOR**

(75) Inventors: **Yuta Oshima**, Tsukubamirai (JP);
Yasuhiro Yamashita, Tsukubamirai (JP)

(73) Assignee: **SMC Corporation**, Chiyoda-ku, Tokyo (JP)

(**) Term: **14 Years**

(21) Appl. No.: **29/267,672**

(22) Filed: **Oct. 18, 2006**

(30) **Foreign Application Priority Data**

Jun. 22, 2006 (JP) 2006-016276

(51) **LOC (8) Cl.** **10-04**

(52) **U.S. Cl.** **D10/96**

(58) **Field of Classification Search** D10/96,
D10/97, 99; 73/861.351-861.357
See application file for complete search history.

(56) **References Cited**

U.S. PATENT DOCUMENTS

D344,465 S * 2/1994 Brew et al. D10/99

D373,735 S * 9/1996 Kurisaki et al. D10/83

D373,736 S * 9/1996 Kurisaki et al. D10/83

D373,737 S * 9/1996 Kurisaki et al. D10/83

D373,959 S * 9/1996 Kurisaki et al. D10/83

D447,072 S * 8/2001 Asai et al. D10/96

2006/0096391 A1* 5/2006 Kappertz et al. 73/861.357

* cited by examiner

Primary Examiner—Antoine D. Davis

(74) *Attorney, Agent, or Firm*—Peter Ganjian

(57) **CLAIM**

The ornamental design for a flow detector, as shown and described.

DESCRIPTION

FIG. 1 shows a front view of a flow detector showing my new design;

FIG. 2 shows a rear view thereof;

FIG. 3 shows a top view thereof;

FIG. 4 shows a bottom view thereof;

FIG. 5 shows a right side view thereof;

FIG. 6 shows a left side view thereof; and,

FIG. 7 shows a perspective view thereof.

1 Claim, 3 Drawing Sheets

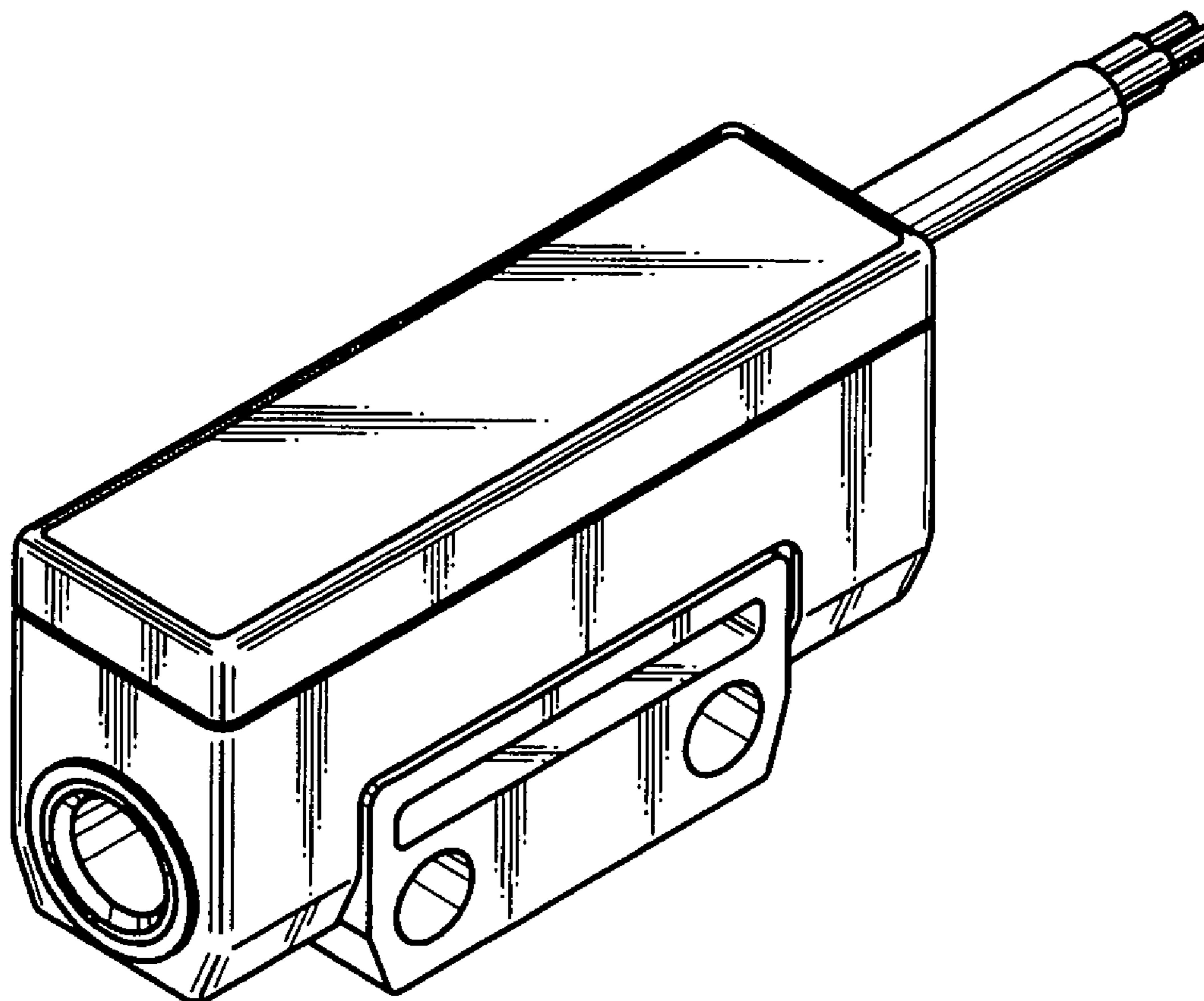


FIG. 1

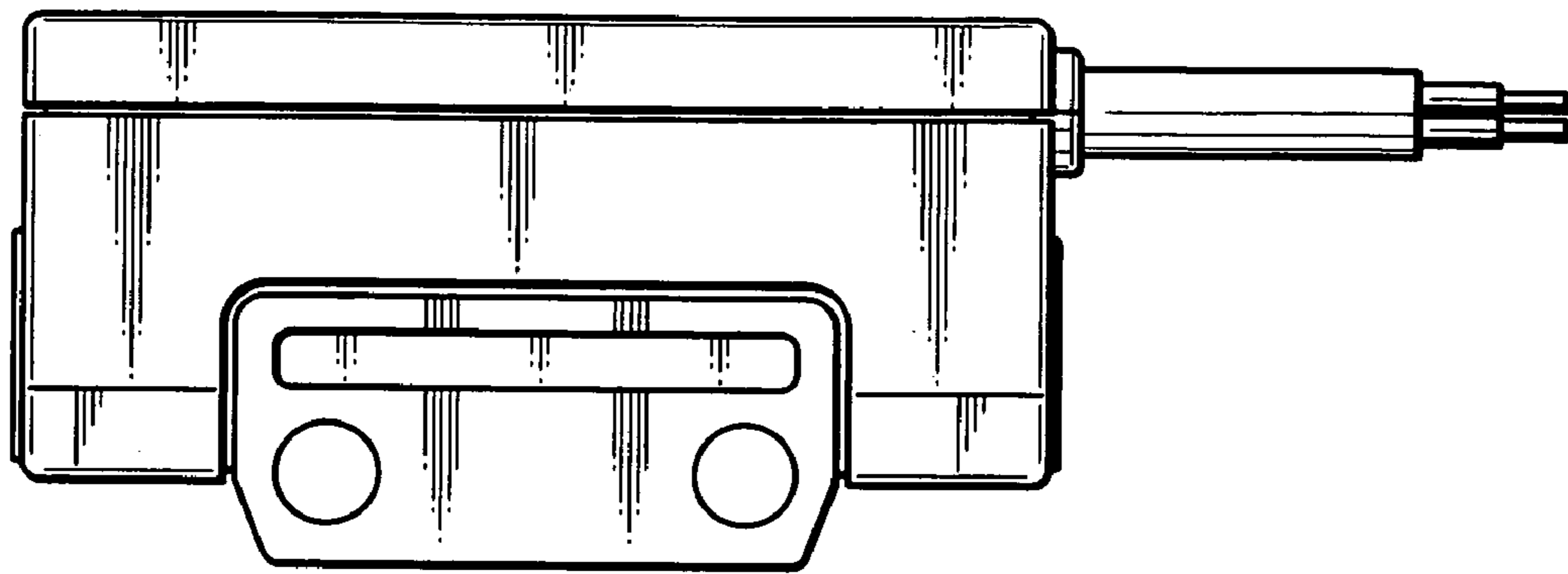


FIG. 2

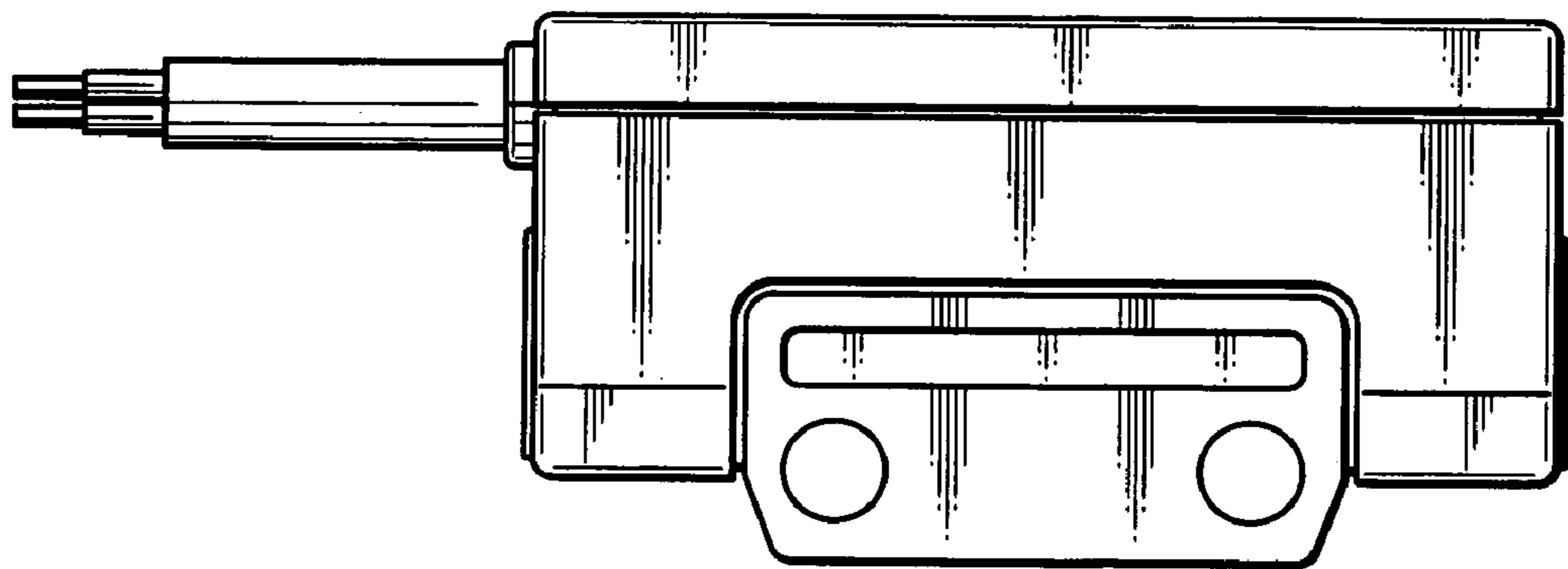


FIG. 3

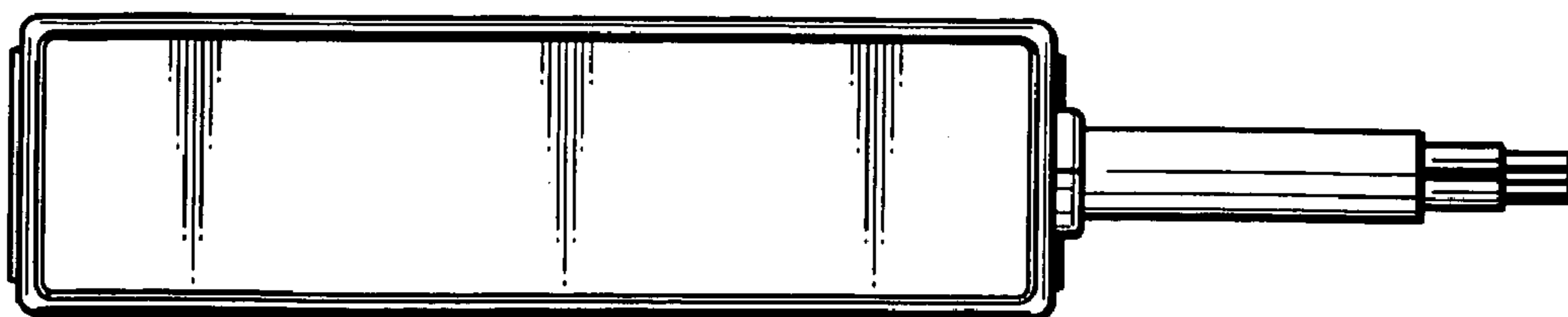


FIG. 4

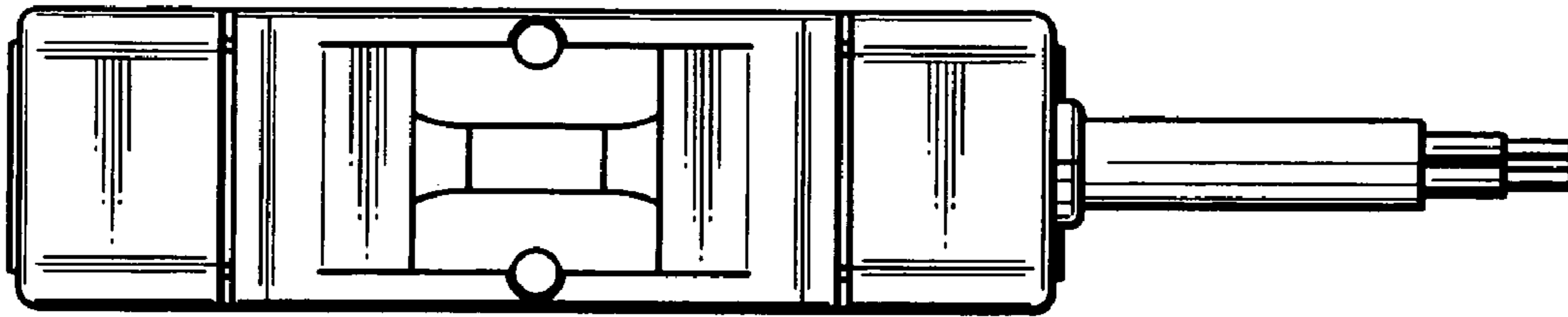


FIG. 5

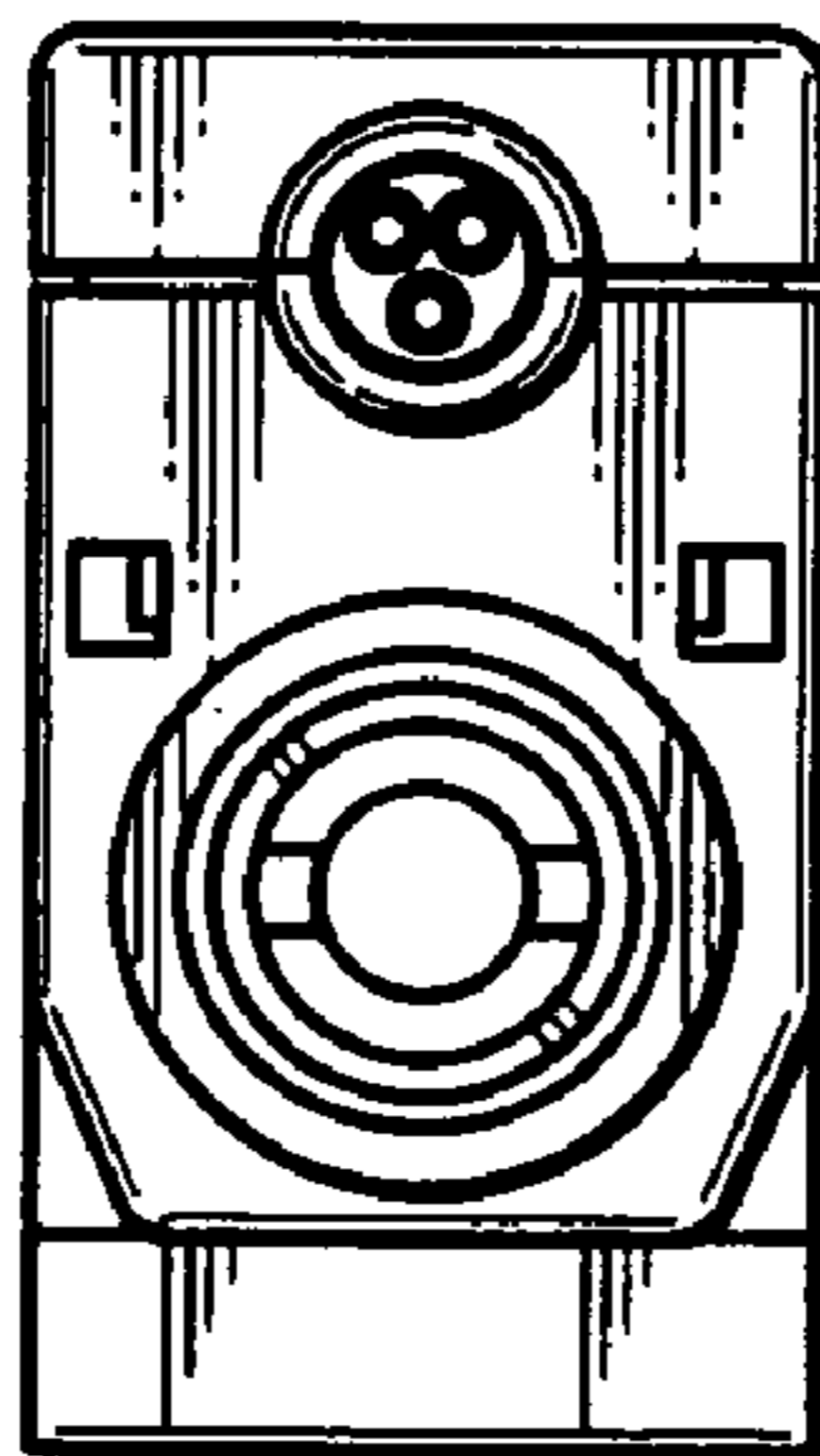


FIG. 6

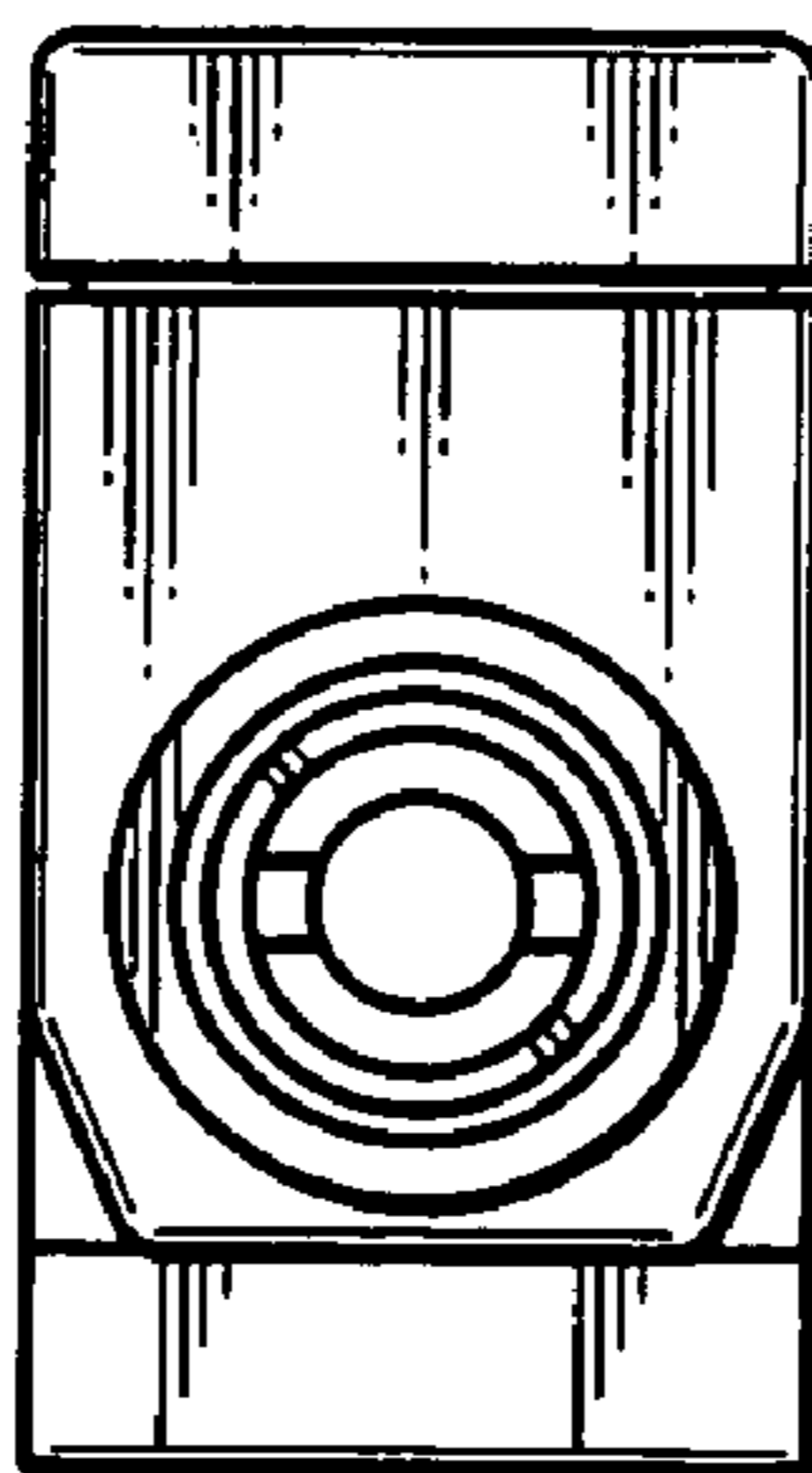


FIG. 7

