



US00D562168S

(12) **United States Design Patent**
Johnson et al.

(10) **Patent No.:** **US D562,168 S**

(45) **Date of Patent:** **** Feb. 19, 2008**

(54) **METER**

(75) Inventors: **Damian Charles Johnson**, New South Wales (AU); **Peter Robert Kerr**, New South Wales (AU)

(73) Assignee: **MacNaught Pty Ltd**, New South Wales (AU)

(**) Term: **14 Years**

(21) Appl. No.: **29/260,648**

(22) Filed: **May 30, 2006**

(51) **LOC (8) Cl.** **10-04**

(52) **U.S. Cl.** **D10/96**

(58) **Field of Classification Search** D10/46,
D10/96; 73/861.77, 861.78, 861.79, 861.81,
73/861.83, 861.84, 861.92

See application file for complete search history.

(56) **References Cited**

U.S. PATENT DOCUMENTS

5,251,149 A * 10/1993 Williams et al. 73/861.77

OTHER PUBLICATIONS

MacNaught Pty Ltd, catalog page, 1998, Sydney, Australia.

MacNaught Pty Ltd, MacNaught Lubrication & Greasing Equipment, catalog, Jun. 2006, NA180 Issue 4A, Sydney, Australia, pp. 45-47.

PIUSI S.p.A., website, Dec. 4, 2006.

MacNaught Pty Ltd, MacNaught Lubrication & Greasing Equipment, catalog, 2004, pp. 33-39, NA180 Issue 3A, Sydney, Australia.

* cited by examiner

Primary Examiner—Antoine D. Davis

(74) *Attorney, Agent, or Firm*—King & Schickli, PLLC

(57) **CLAIM**

The ornamental design of a meter, as shown and described.

DESCRIPTION

FIG. 1 is a top plan view of a meter of the present invention;

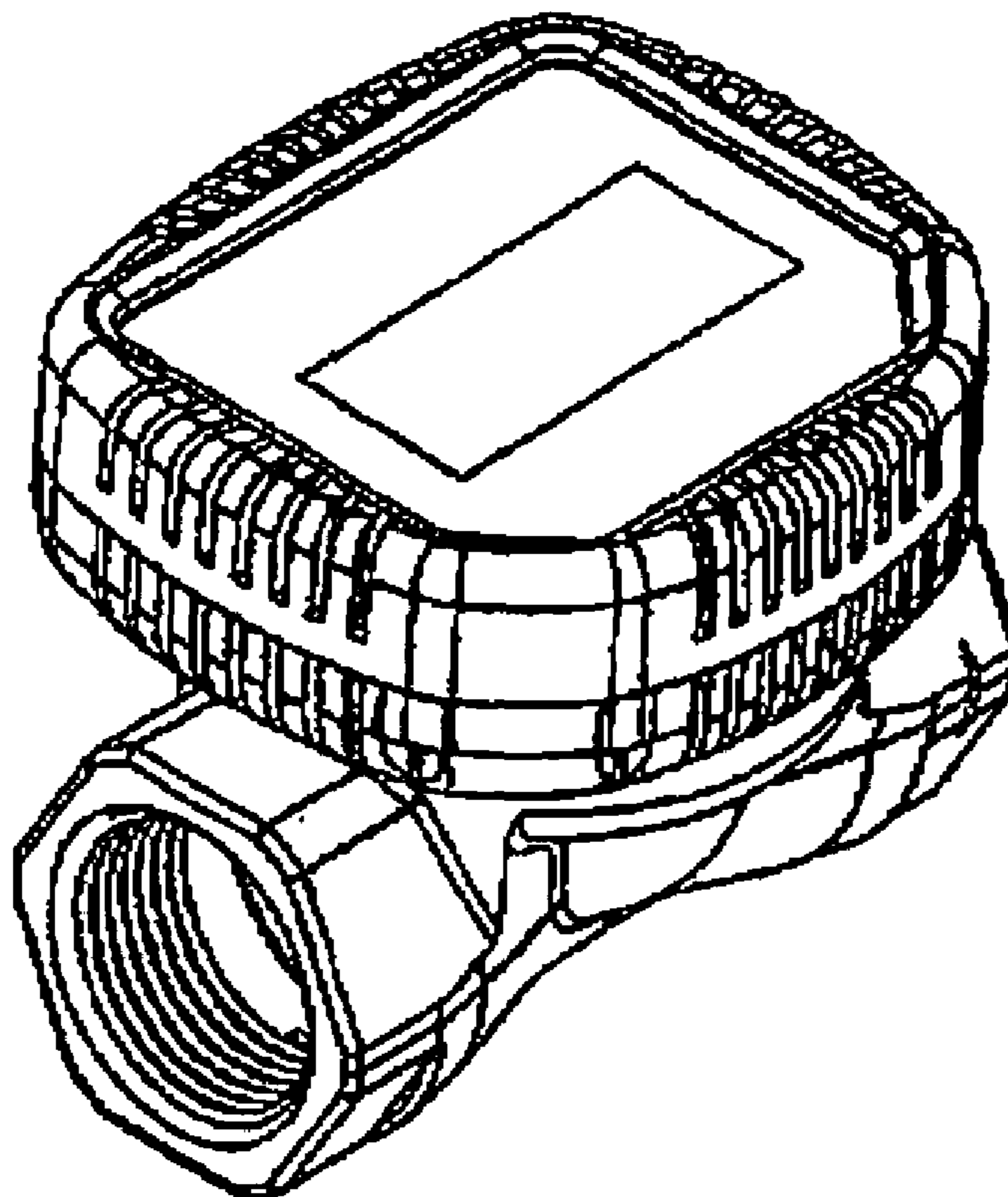
FIG. 2 is an end elevational view thereof;

FIG. 3 is a bottom plan view thereof;

FIG. 4 is a side elevational view thereof; and,

FIG. 5 is an isometric view of bottom, front and side thereof.

1 Claim, 1 Drawing Sheet



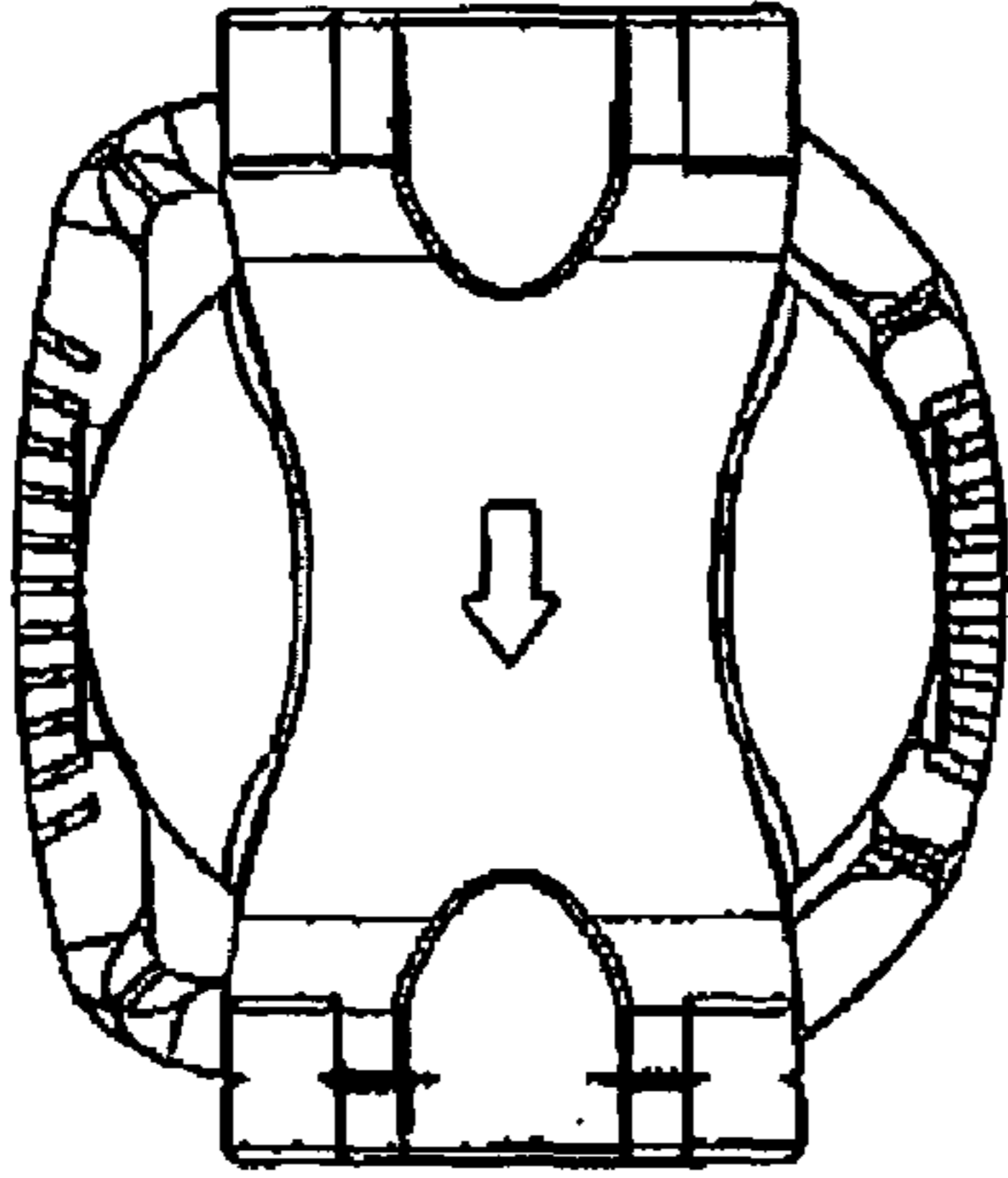


Fig. 3

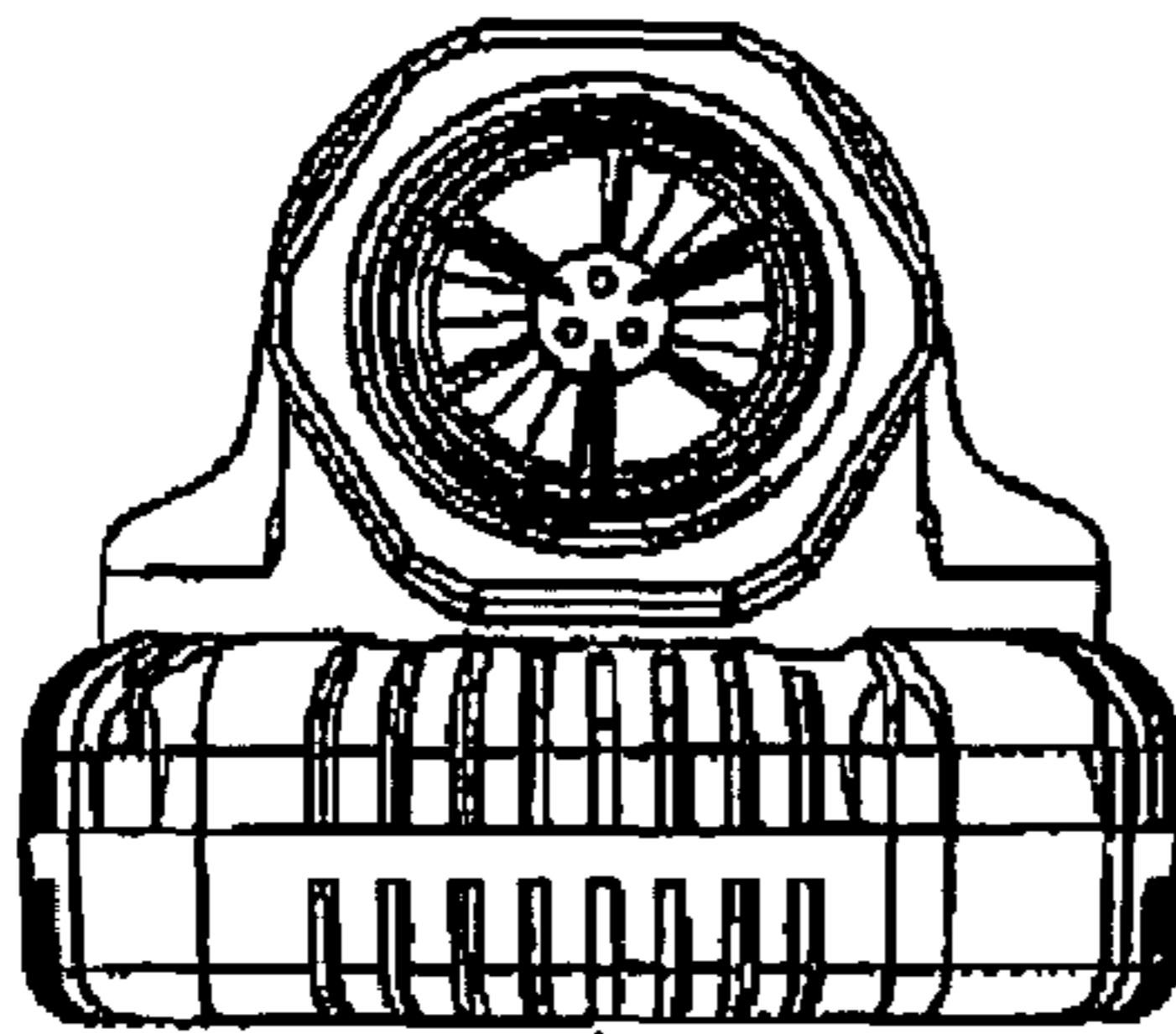


Fig. 2

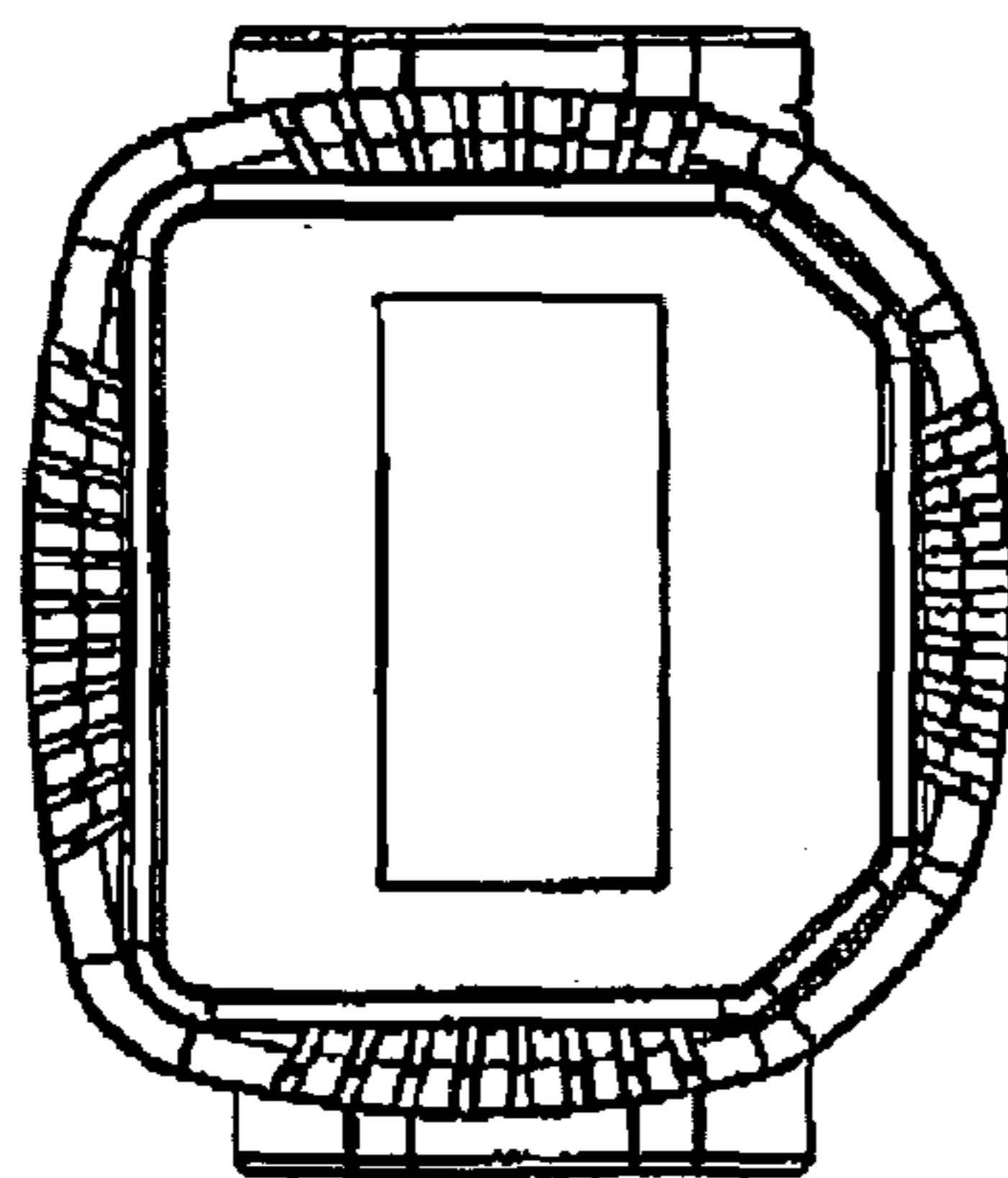


Fig. 1

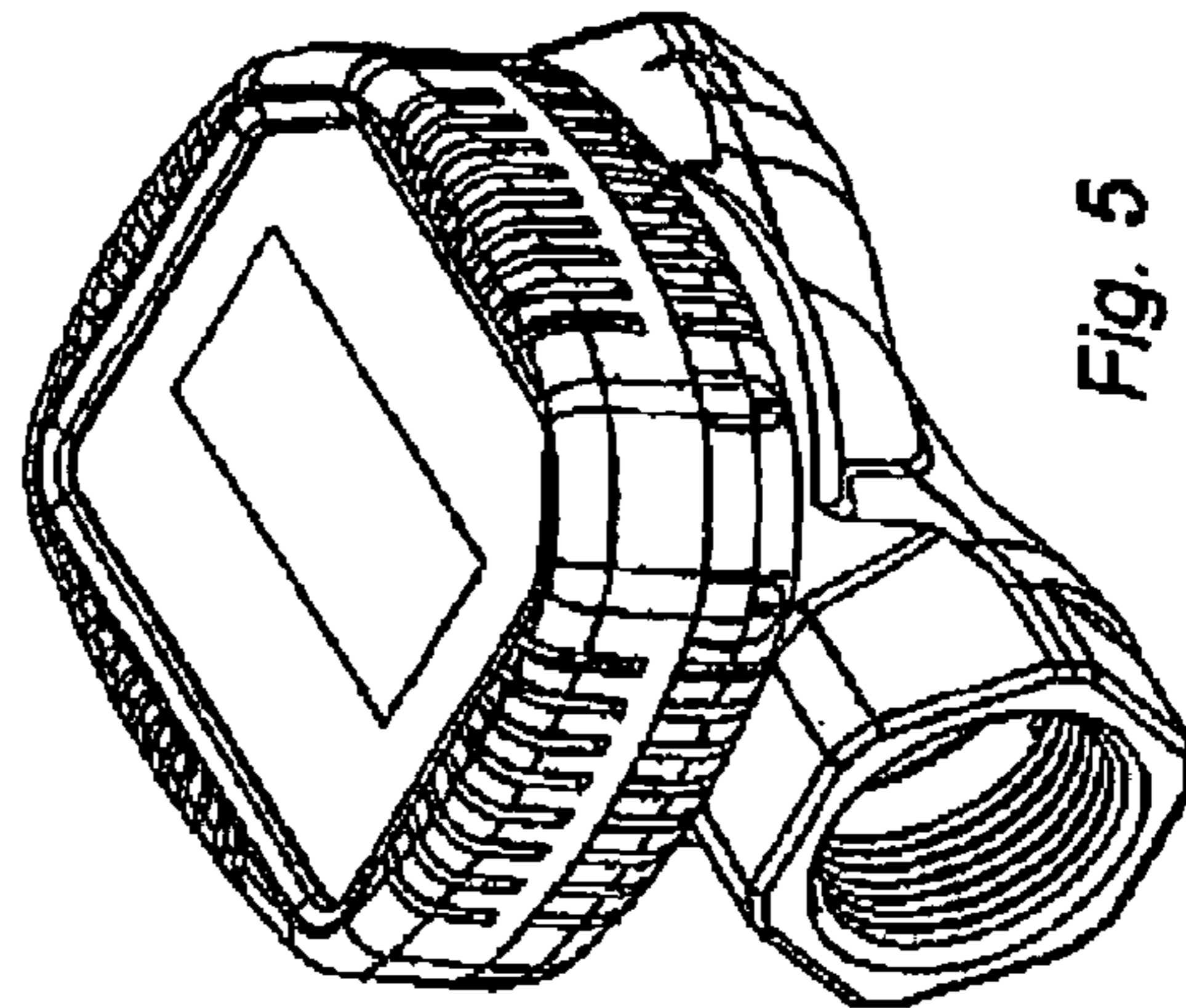


Fig. 5

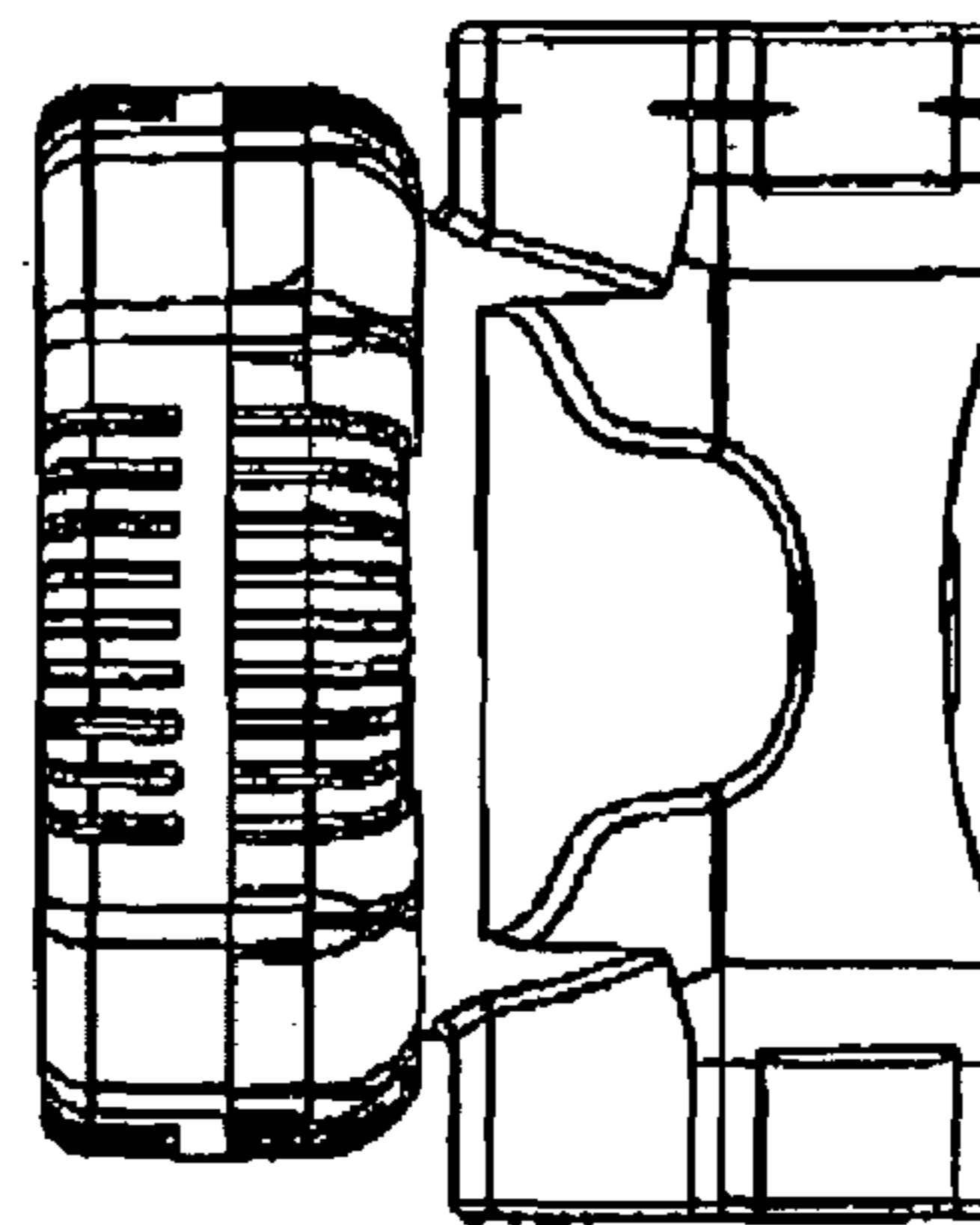


Fig. 4