



US00D562164S

(12) **United States Design Patent**
Sanders

(10) **Patent No.:** **US D562,164 S**

(45) **Date of Patent:** **** Feb. 19, 2008**

(54) **GOLF CART LASER YARDAGE HOLDER**

(74) *Attorney, Agent, or Firm*—Edwin W. Oldham

(76) **Inventor:** **Charles Sanders**, 7261 Euclid Rd.,
Cincinnati, OH (US) 45243

(57) **CLAIM**

The ornamental design for a golf cart laser yardage holder,
as shown.

(**) **Term:** **14 Years**

(21) **Appl. No.:** **29/244,529**

(22) **Filed:** **Dec. 12, 2005**

DESCRIPTION

(51) **LOC (8) Cl.** **10-04**

(52) **U.S. Cl.** **D10/74**

(58) **Field of Classification Search** D10/74;
D7/701, 707, 708, 619; D9/341, 347; D12/415,
D12/419-421; 211/71.01, 74; 224/483,
224/275, 544, 274, 186; 248/926, 514, 515,
248/541, 229, 516, 225.31, 231.6; 623/32-35,
623/57, 61, 63, 65

See application file for complete search history.

(56) **References Cited**

U.S. PATENT DOCUMENTS

- 5,310,155 A * 5/1994 Wu 248/514
- 6,245,114 B1 * 6/2001 Marron 623/65
- D447,024 S * 8/2001 Thomas D7/701
- D459,956 S * 7/2002 Thomas D7/701

* cited by examiner

Primary Examiner—Antoine D. Davis

FIG. 1 is a three dimensional perspective view of the design of the invention showing a phantom outline of a laser yardage meter in the formed fitting in the top of the holder;

FIG. 2 is a front side elevational view of the holder of FIG. 1;

FIG. 3 is a rear elevational view of the holder of FIG. 1;

FIG. 4 is a left side elevational view of the holder of FIG. 1;

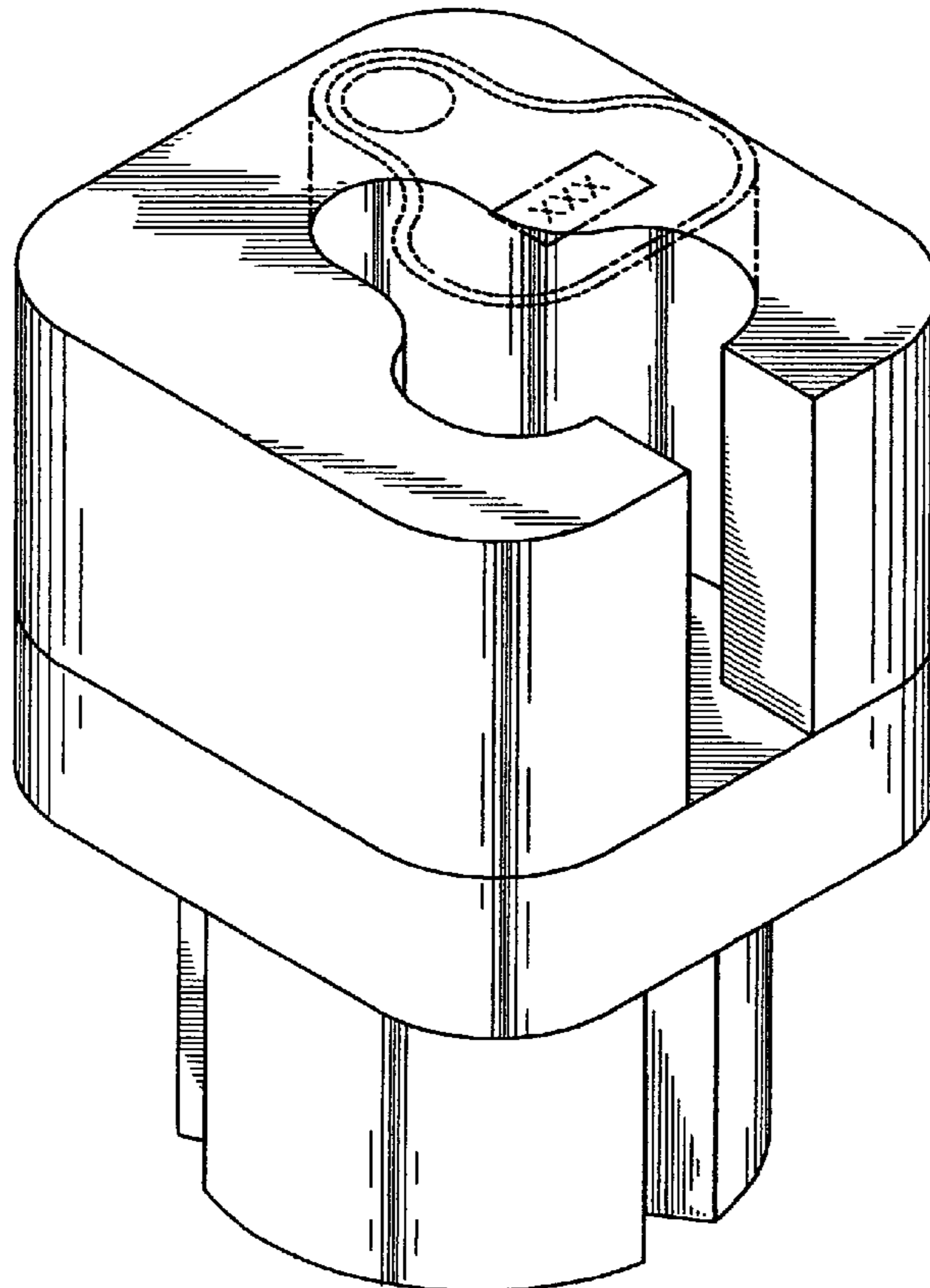
FIG. 5 is a right side elevational view of the holder of FIG. 1;

FIG. 6 is a top plan view of the holder of FIG. 1; and,

FIG. 7 is a bottom plan view of the holder of FIG. 1.

The broken line showing of a golf cart laser yardage measurer is included for the purpose of illustrating non-claimed subject matter and forms no part of the claimed design.

1 Claim, 4 Drawing Sheets



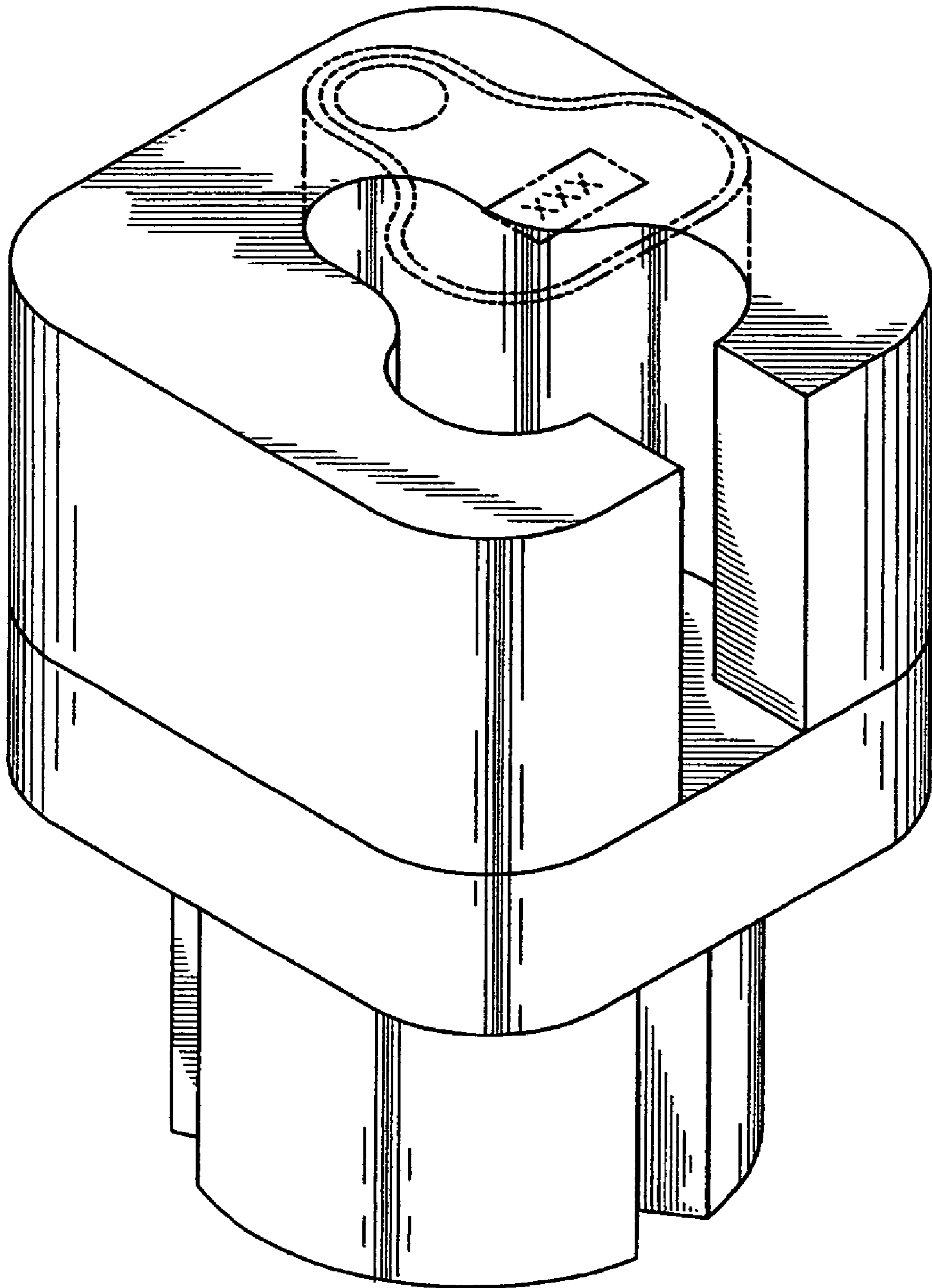


Fig. 1

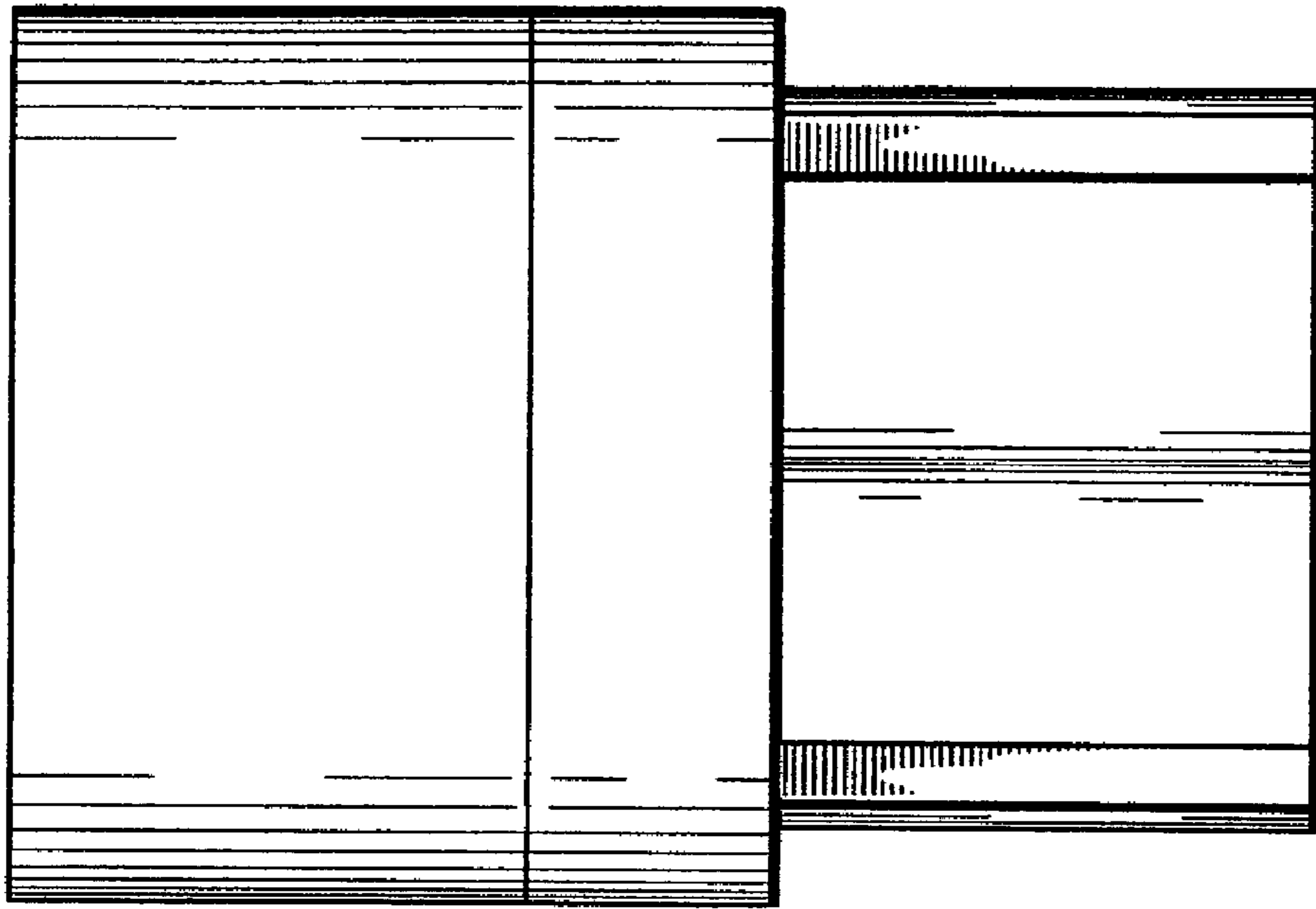


Fig. 3

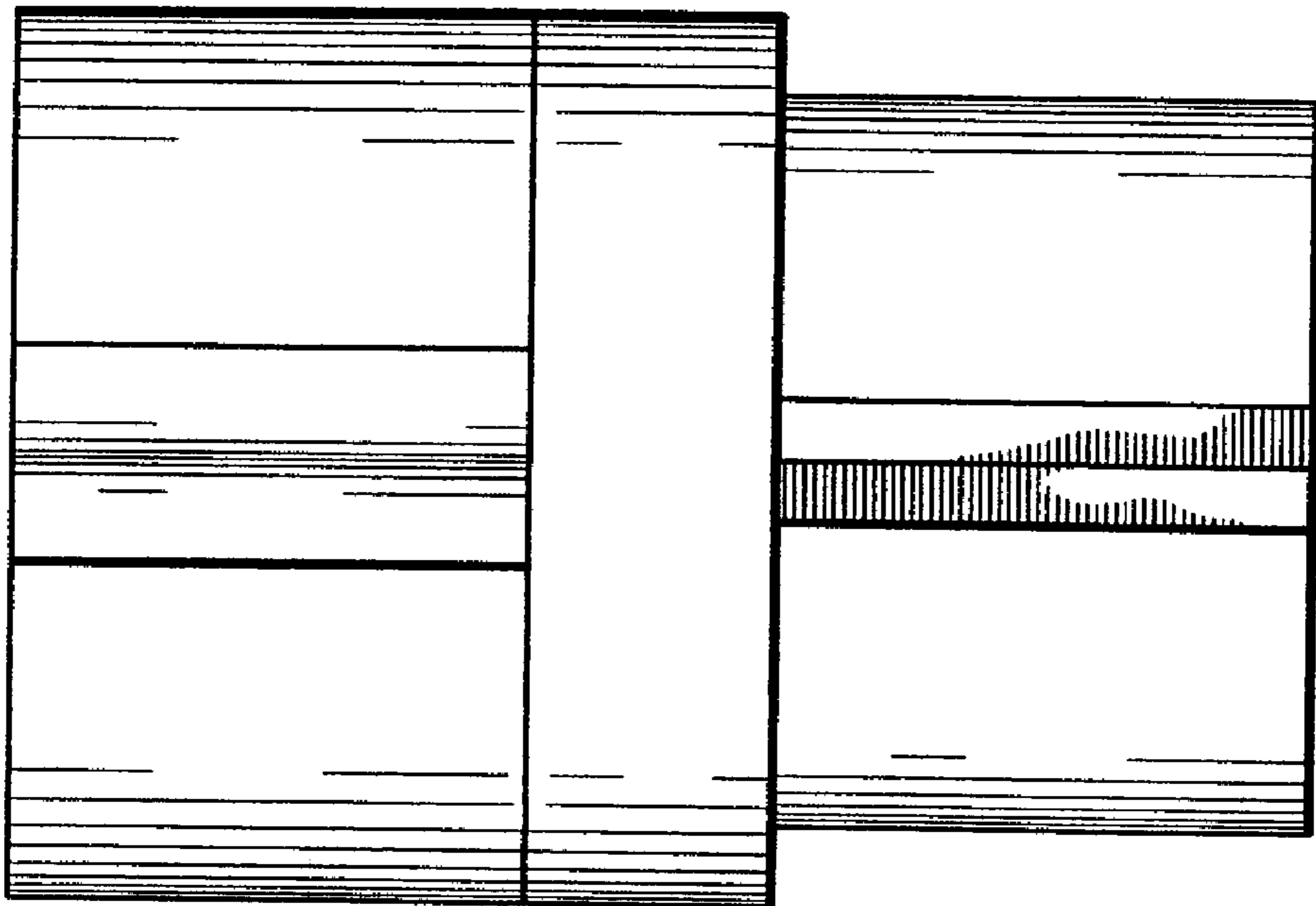


Fig. 2

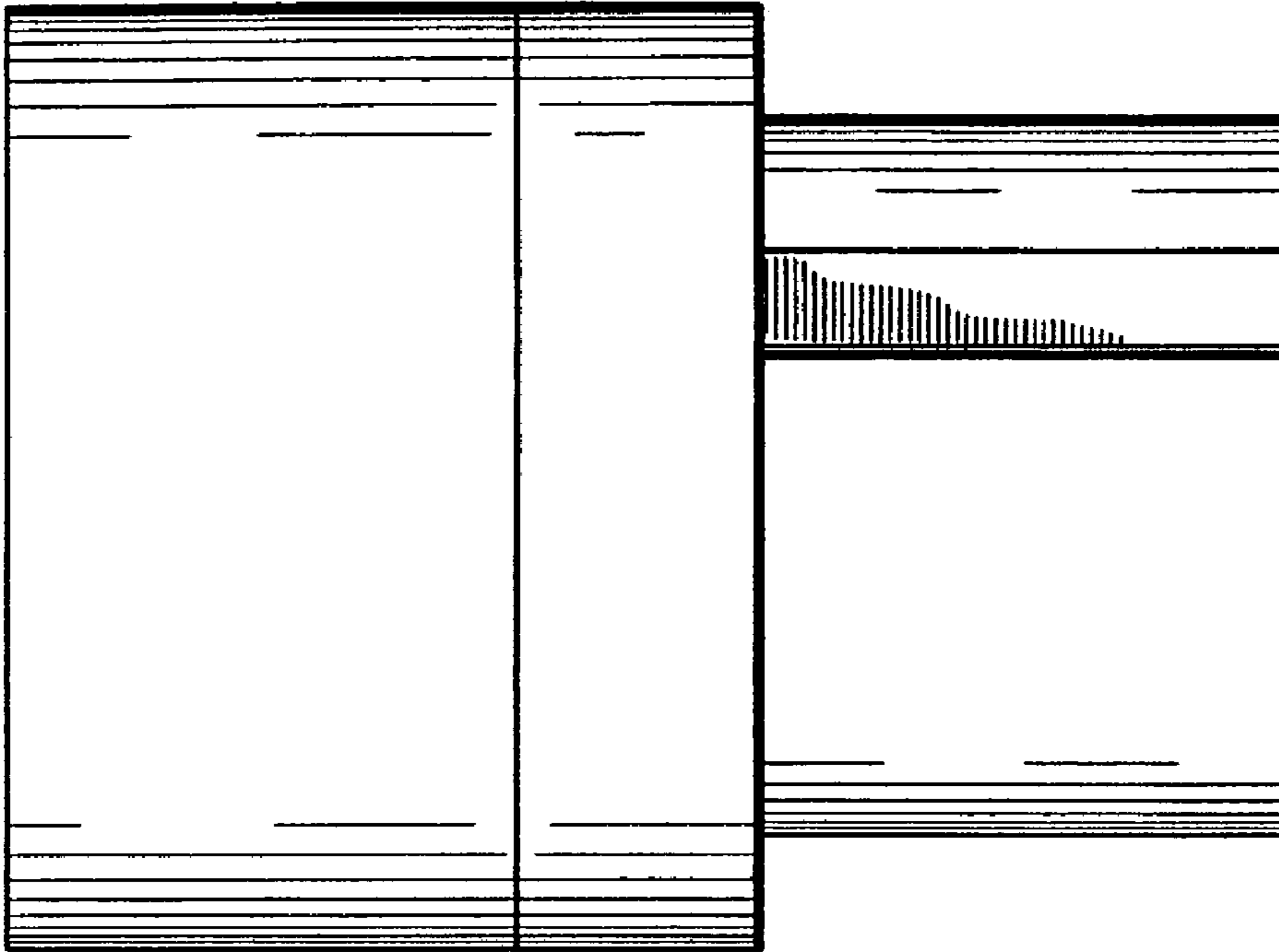


Fig. 5

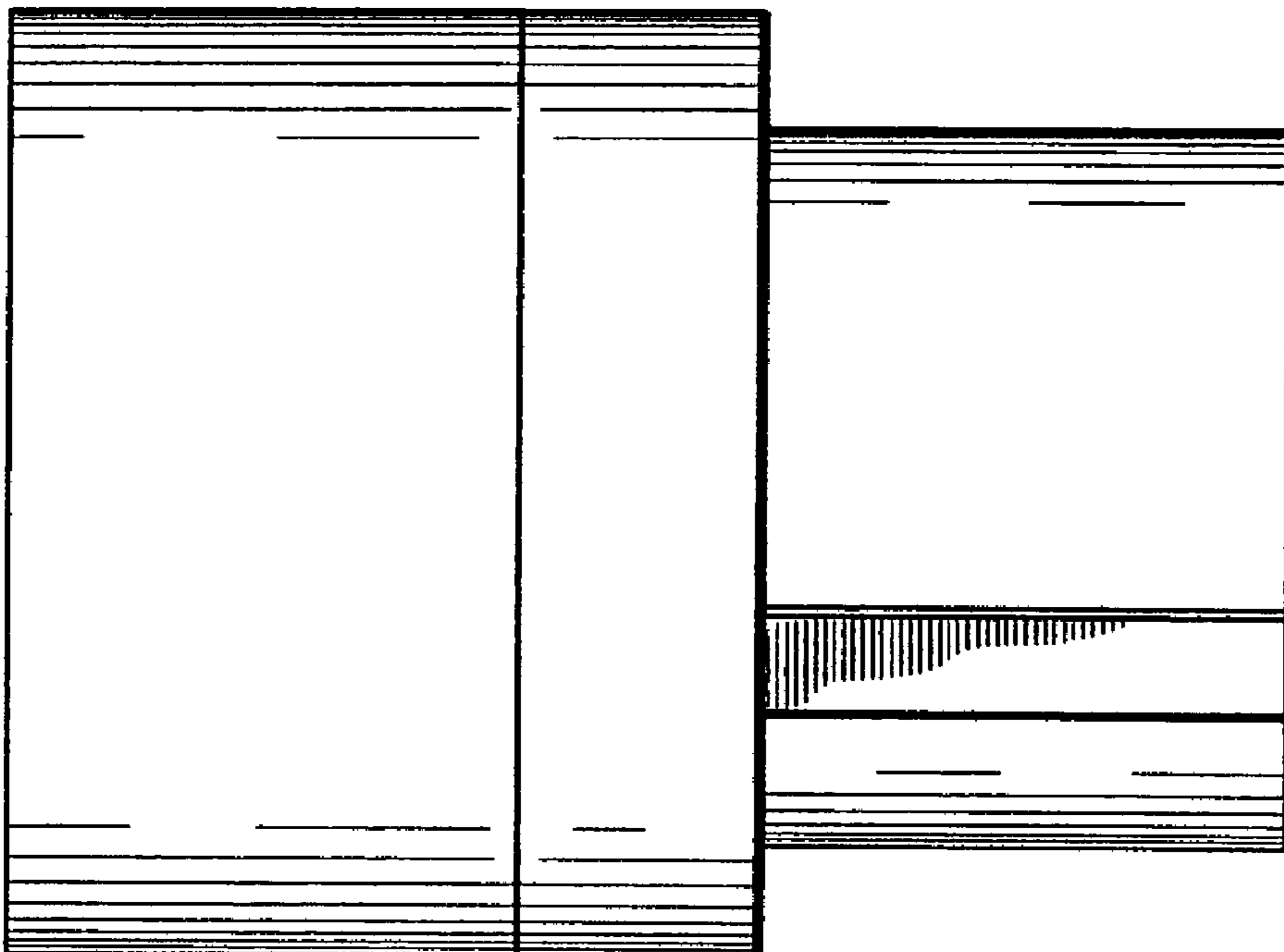


Fig. 4

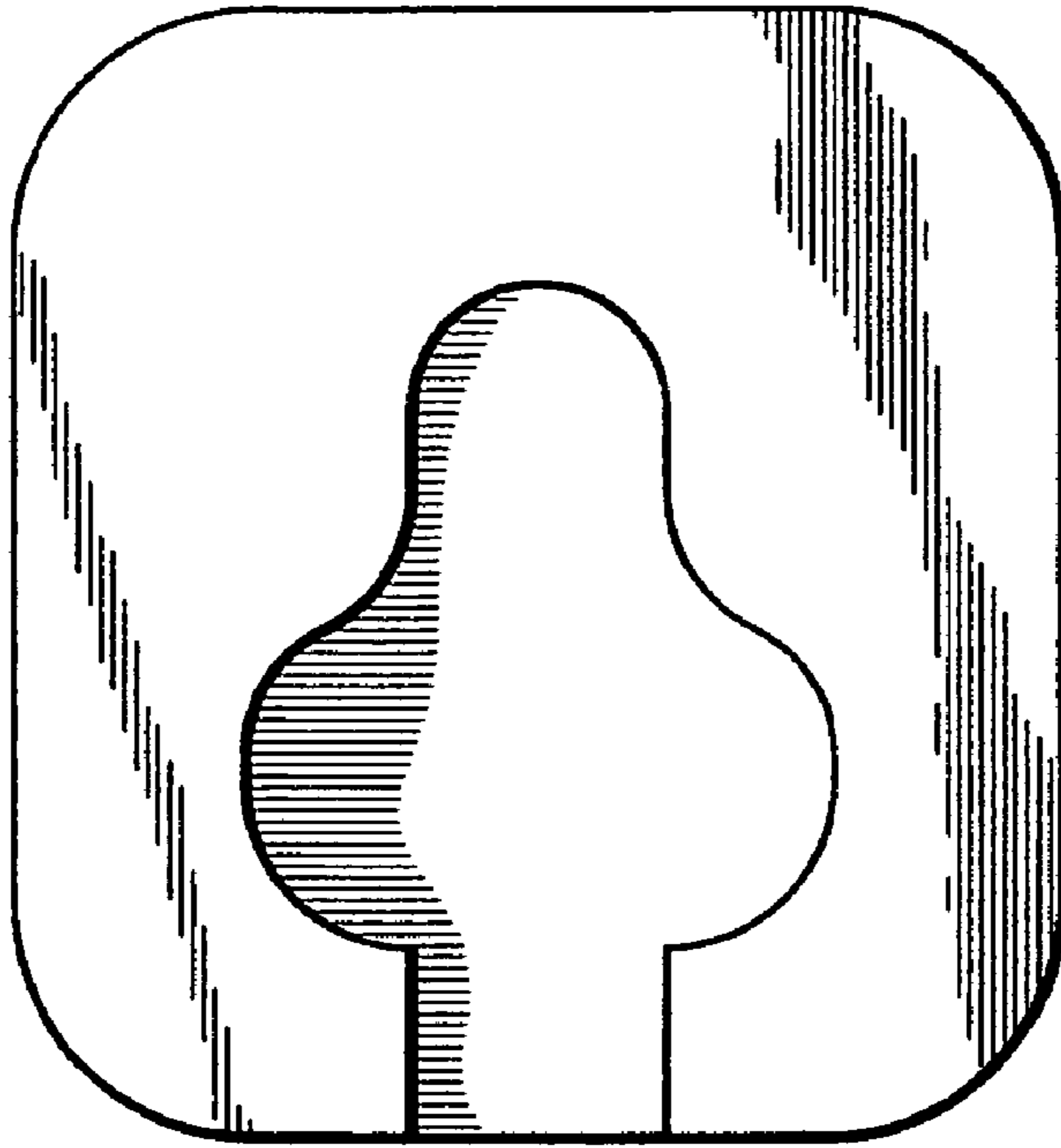


Fig. 6

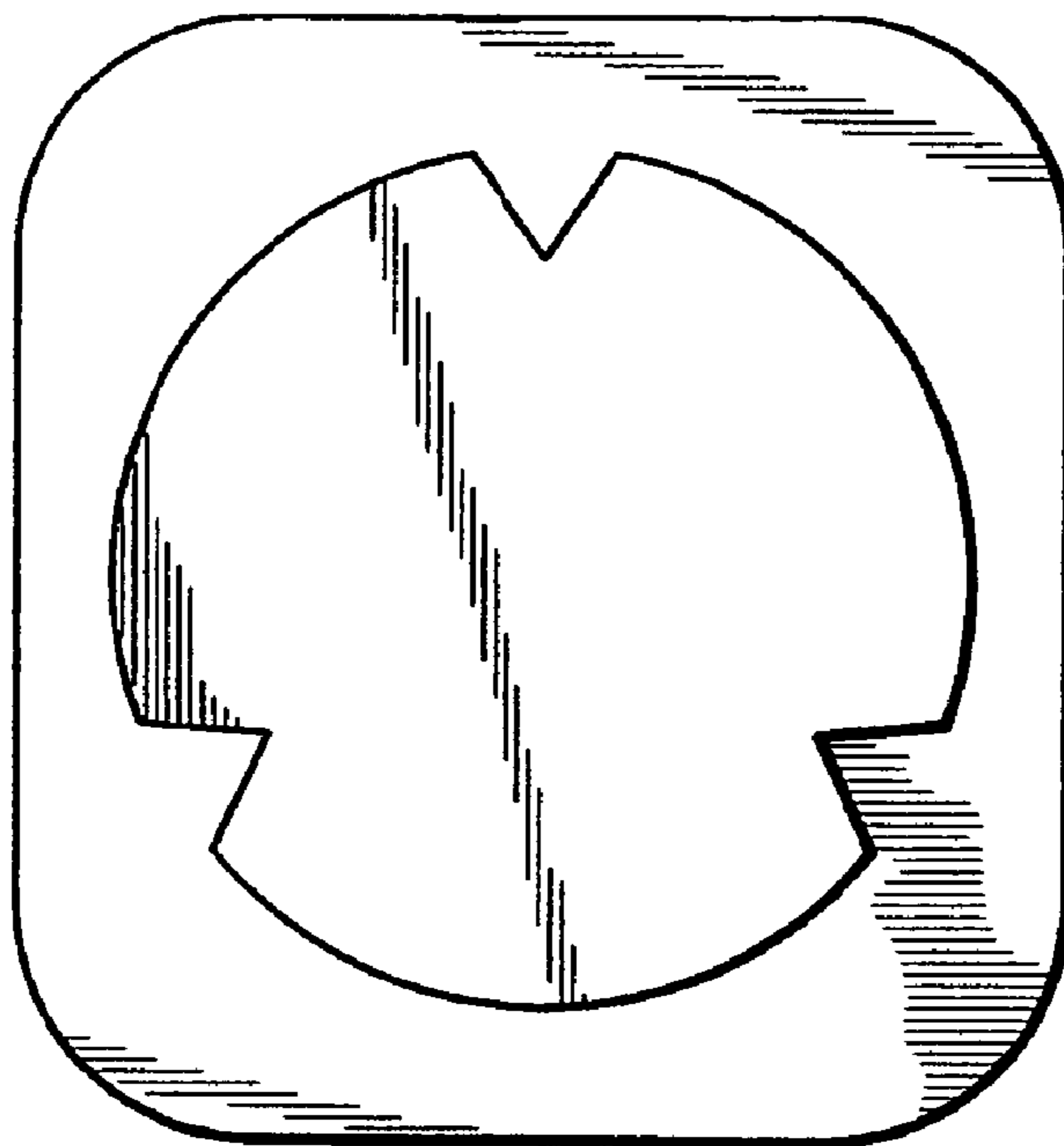


Fig. 7