

US00D562162S

(12) **United States Design Patent**  
**Forlenza et al.**

(10) **Patent No.:** **US D562,162 S**  
(45) **Date of Patent:** **\*\* Feb. 19, 2008**

(54) **TEMPERATURE INDICATOR**

6,629,417 B2 10/2003 Haas et al.  
7,000,408 B2\* 2/2006 Mitsubori ..... 62/6

(75) Inventors: **Albert Michael Forlenza**, Carrollton, TX (US); **Samuel Edward Ivey**, Richardson, TX (US); **Jerome F Krentel**, Covington, LA (US); **John Eglin Williams**, Covington, LA (US); **Joanne B. Haas**, Covington, LA (US); **Paula A. Schweikert**, Abita Springs, LA (US); **Kishore K. Kondabatni**, Atlanta, GA (US); **Richard E. Bailey**, Mandeville, LA (US)

\* cited by examiner

*Primary Examiner*—Antoine D. Davis  
(74) *Attorney, Agent, or Firm*—Joseph T. Regard, Ltd plc

(57) **CLAIM**

The ornamental design for a temperature indicator, as shown and described.

(73) Assignee: **Cimex Medical Innovations, L.C.**, Covington, LA (US)

**DESCRIPTION**

(\*\*) Term: **14 Years**

FIG. 1 is an isometric view of the design of the present invention;

(21) Appl. No.: **29/262,854**

FIG. 2 is top view of the design of the present invention;

(22) Filed: **Jul. 11, 2006**

FIG. 3 is a front view of the design of the present invention;

(51) **LOC (8) Cl.** ..... **10-04**

FIG. 4 is a side view of the design of the present invention;

(52) **U.S. Cl.** ..... **D10/53**

FIG. 5 is a rear view of the design of the present invention;

(58) **Field of Classification Search** ..... D10/51-56;  
62/3.2, 3.7, 6, 293

and,

See application file for complete search history.

FIG. 6 is a bottom view of the design of the present invention.

The broken line showing of line structure is included for the purpose of illustrating non-claimed subject matter and forms no part of the claimed design.

(56) **References Cited**

**U.S. PATENT DOCUMENTS**

6,430,956 B1 8/2002 Haas et al.

**1 Claim, 6 Drawing Sheets**

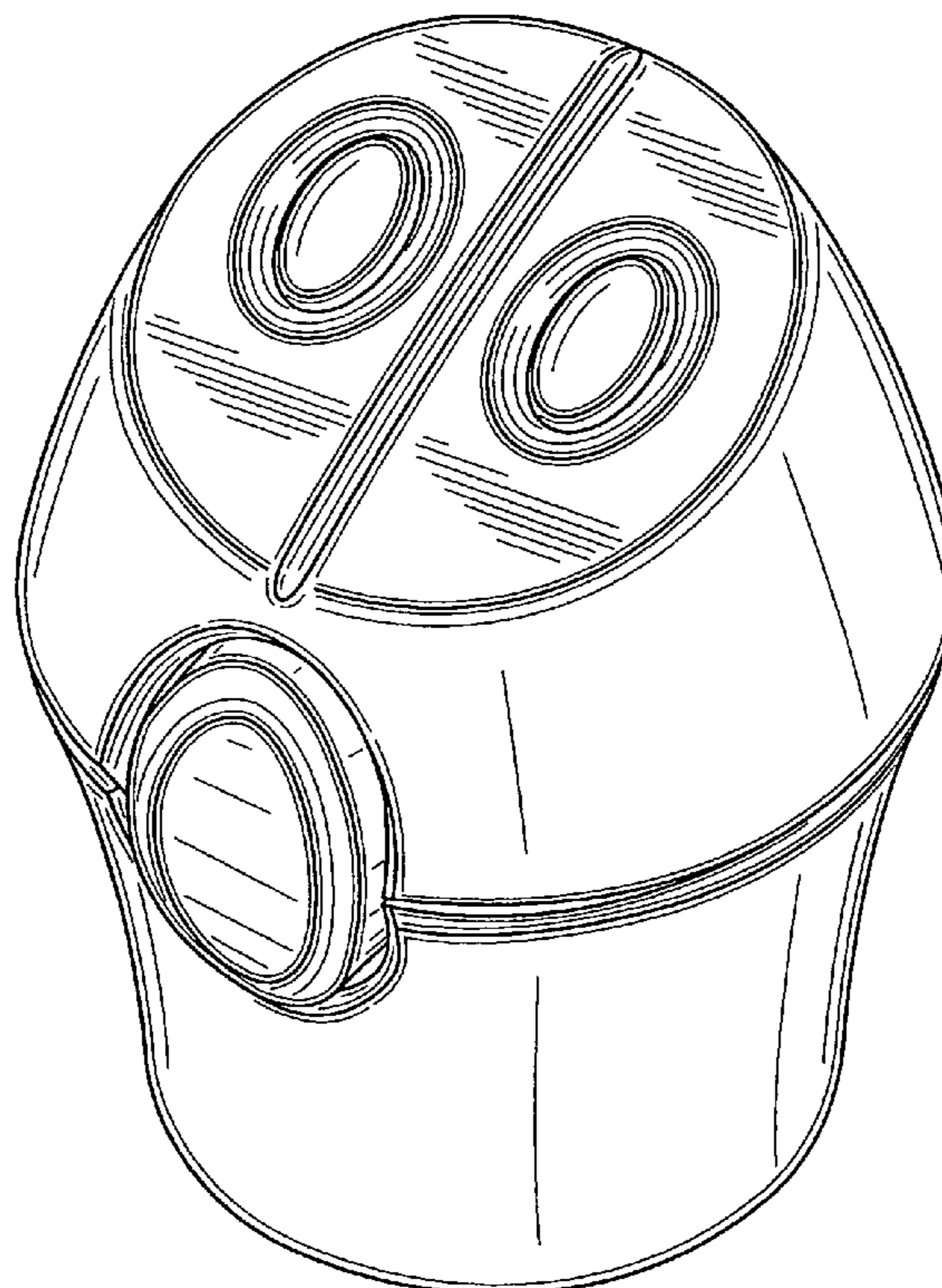


FIG. 1

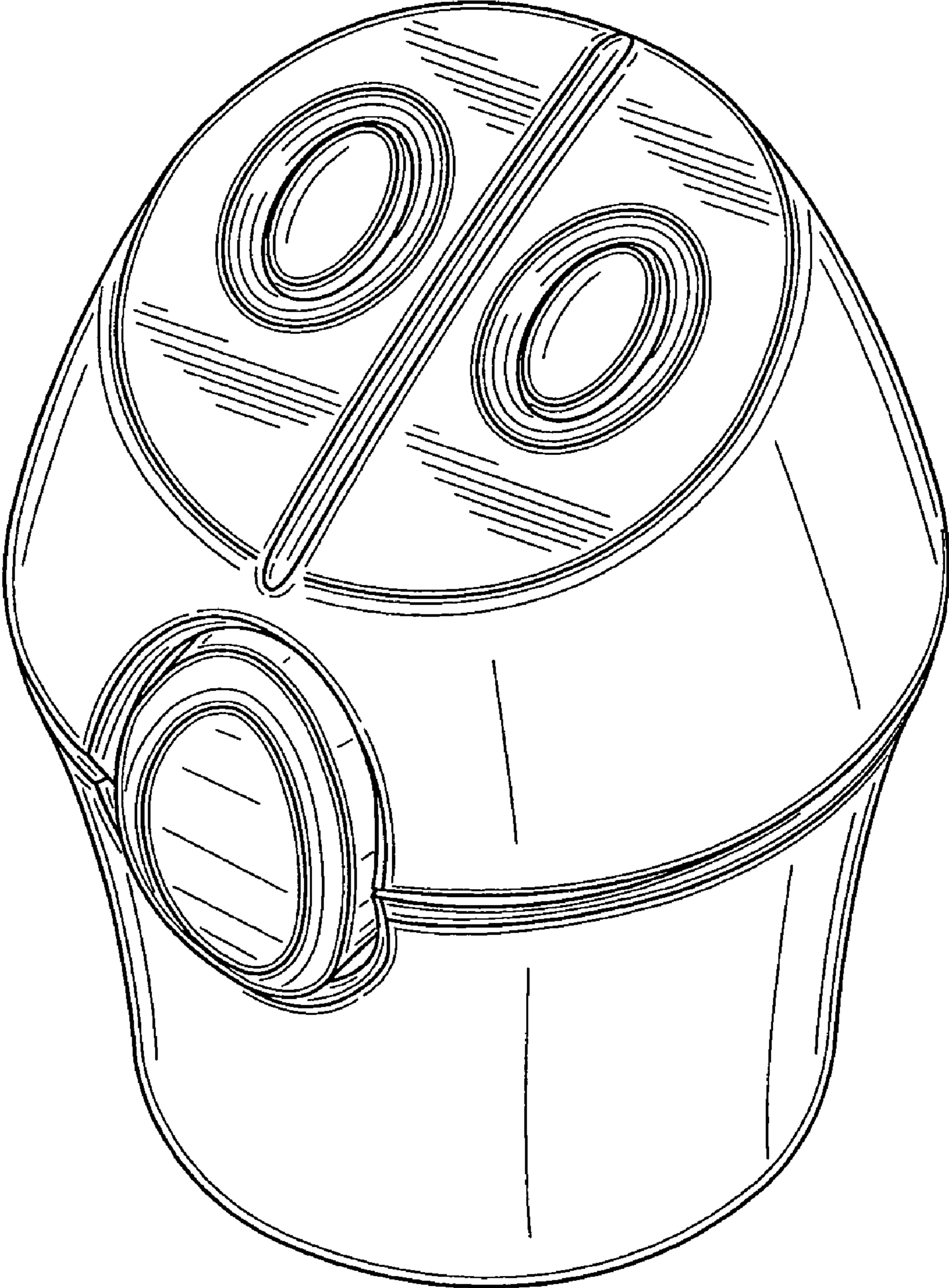


FIG. 2

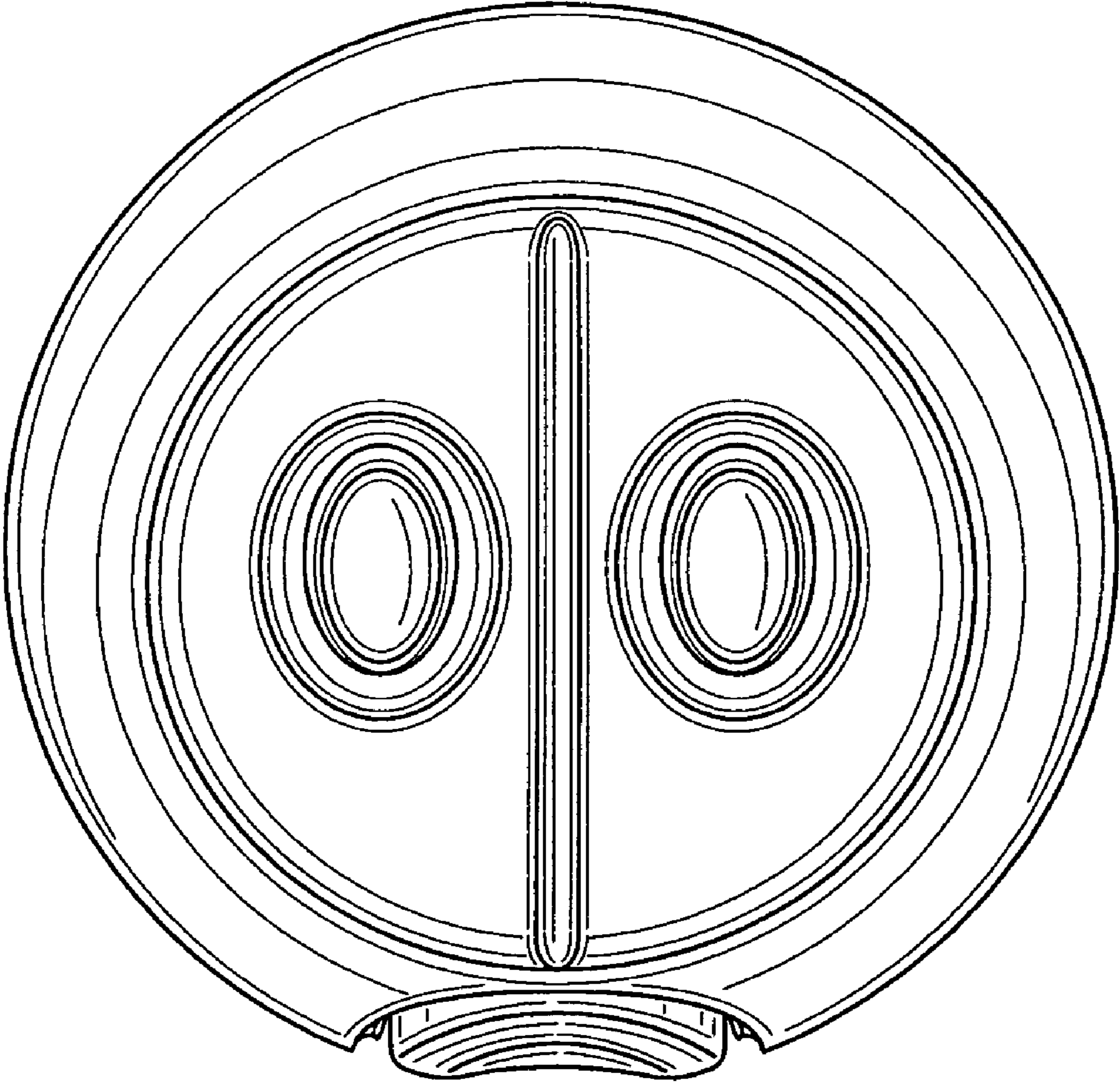


FIG. 3

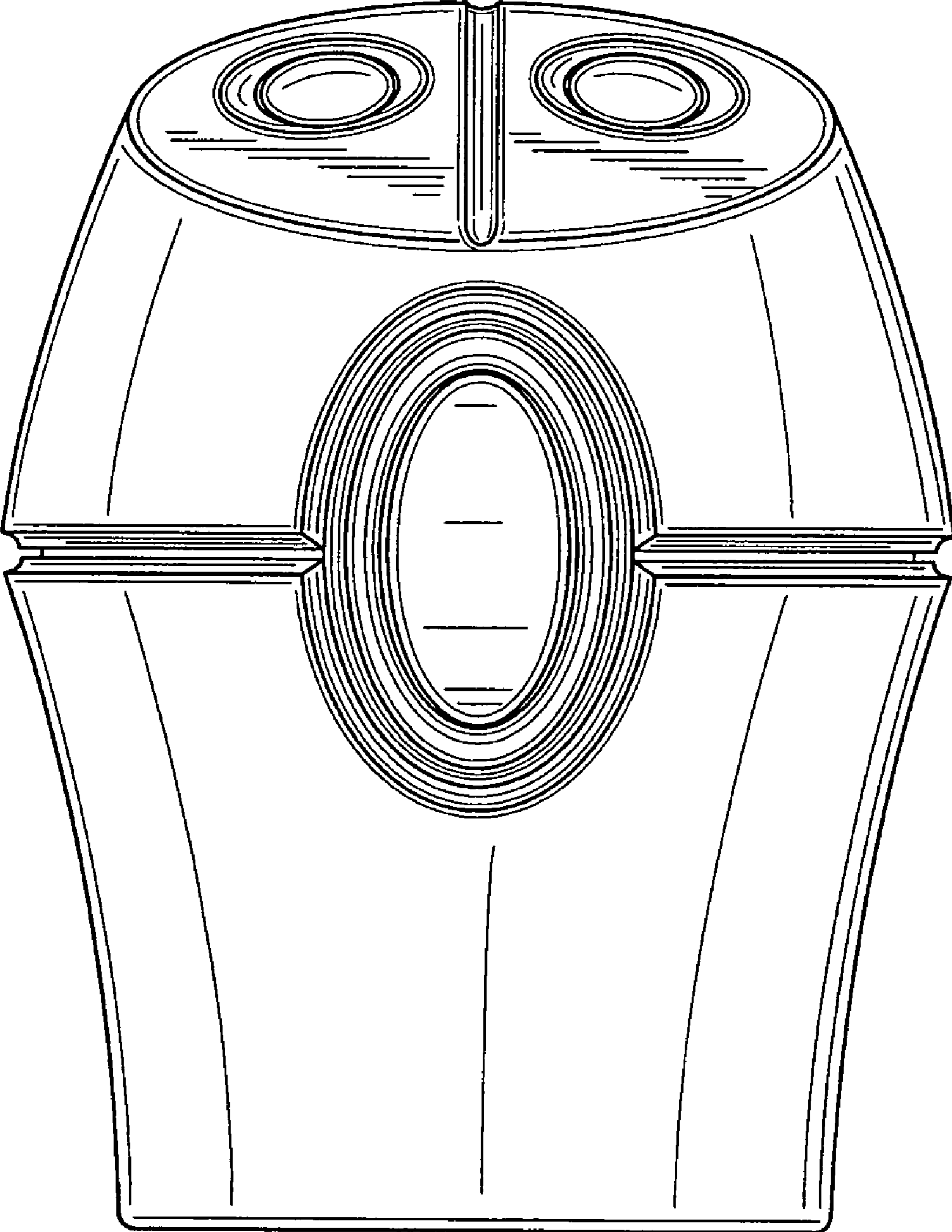


FIG. 4

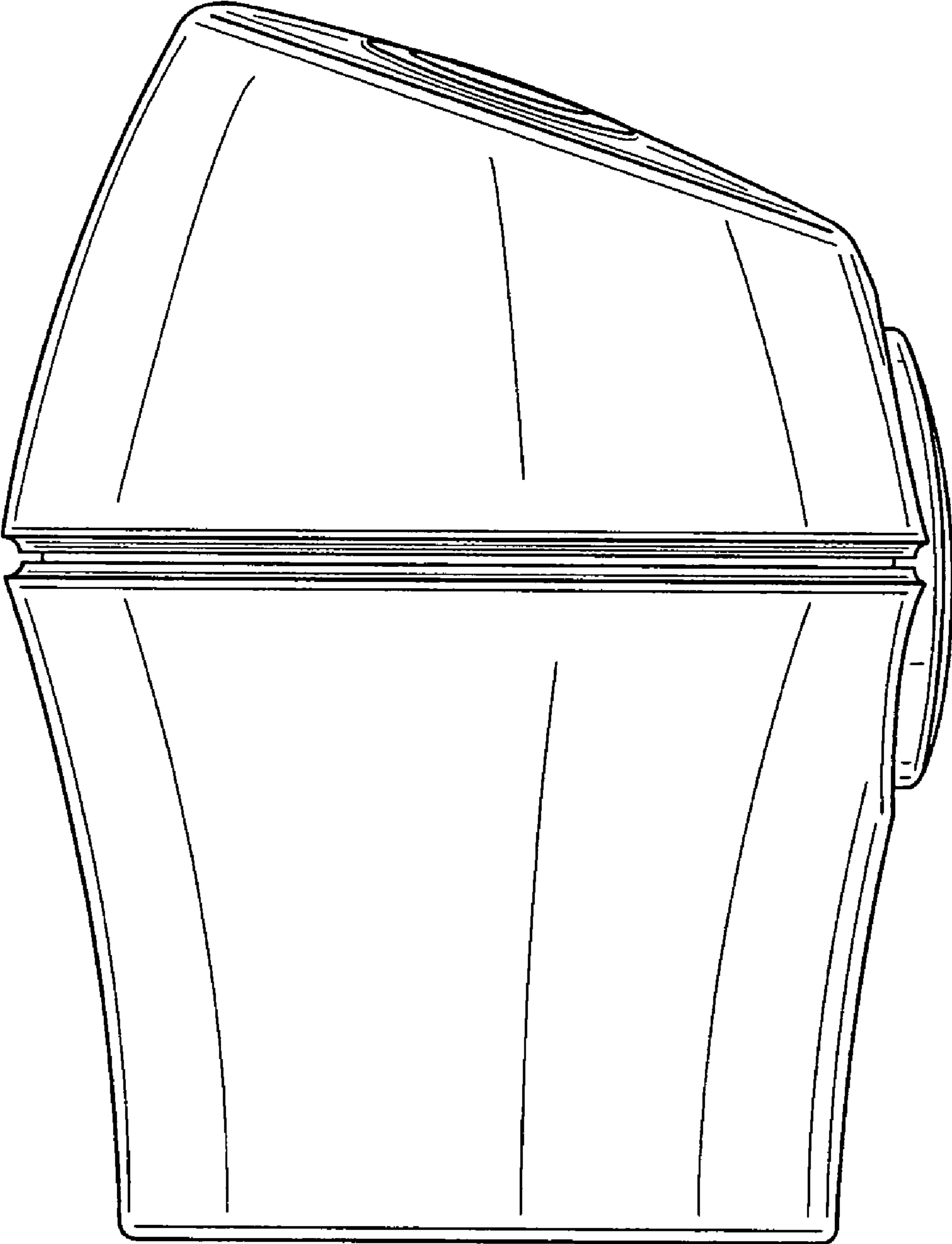


FIG. 5

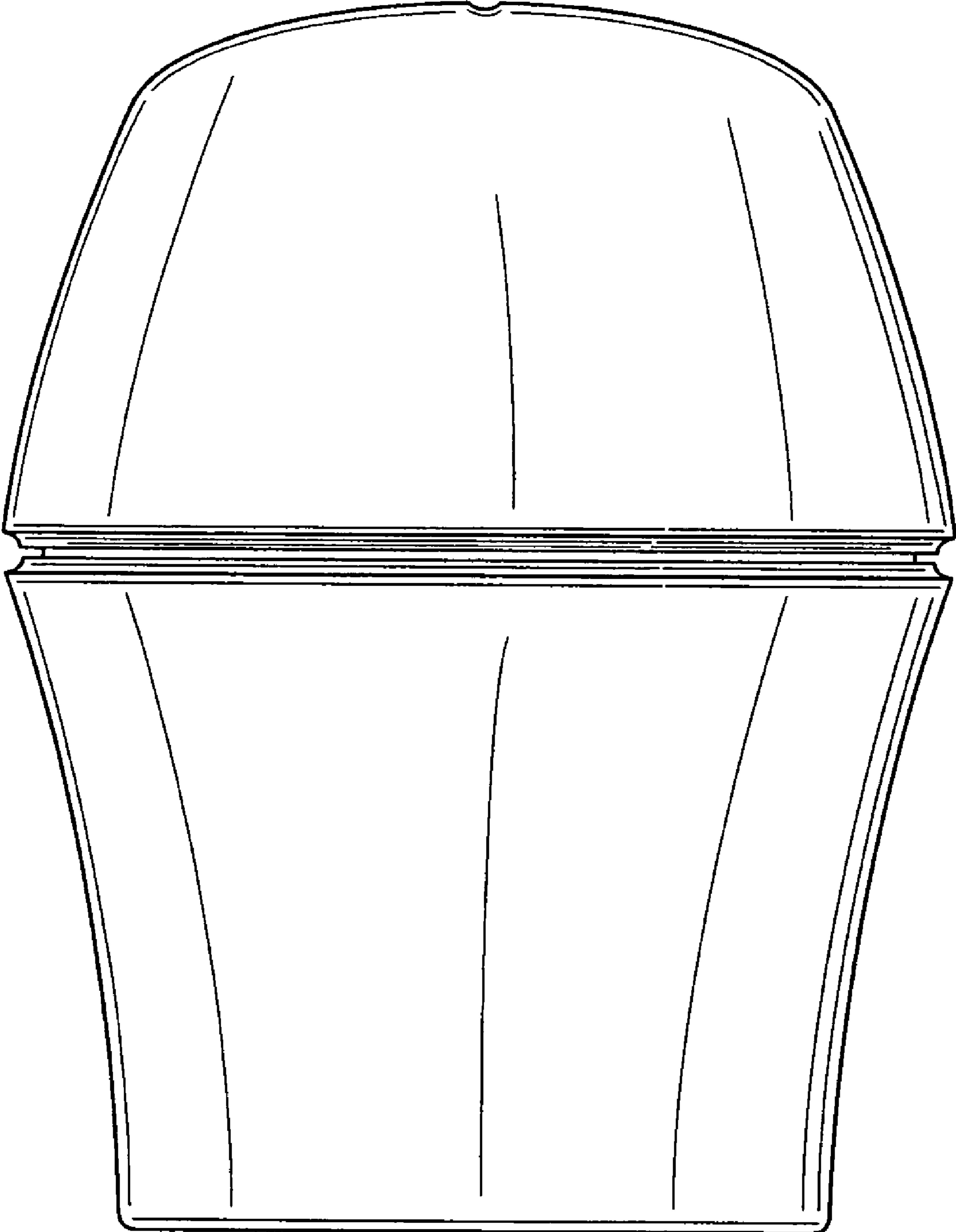


FIG. 6

