



US00D562160S

(12) **United States Design Patent**  
**Cohen**

(10) **Patent No.:** **US D562,160 S**  
(45) **Date of Patent:** **\*\* Feb. 19, 2008**

(54) **MEASURING CONTAINER**  
(75) Inventor: **Erica Cohen**, New York, NY (US)  
(73) Assignee: **WKI Holding Company, Inc.**,  
Rosemont, IL (US)

3,881,102 A 4/1975 Willits et al.  
3,931,741 A 1/1976 Ceccarelli  
4,115,939 A 9/1978 Marks  
4,262,535 A 4/1981 Andersson

(Continued)

(\*\*) Term: **14 Years**

FOREIGN PATENT DOCUMENTS

(21) Appl. No.: **29/277,864**

FR 2766692 7/1997

(22) Filed: **Mar. 12, 2007**

(Continued)

(51) **LOC (8) Cl.** ..... **10-04**  
(52) **U.S. Cl.** ..... **D10/46.2**  
(58) **Field of Classification Search** ..... D10/46.2,  
D10/46.3; D7/533-536; 73/426-429; 220/8,  
220/6, 665, 667; 294/55  
See application file for complete search history.

OTHER PUBLICATIONS

Chef's Catalog, p. 72, OXO measuring cup.\*

(Continued)

*Primary Examiner*—Terry A Wallace  
(74) *Attorney, Agent, or Firm*—McDermott Will & Emery  
LLP

(56) **References Cited**

(57) **CLAIM**

U.S. PATENT DOCUMENTS

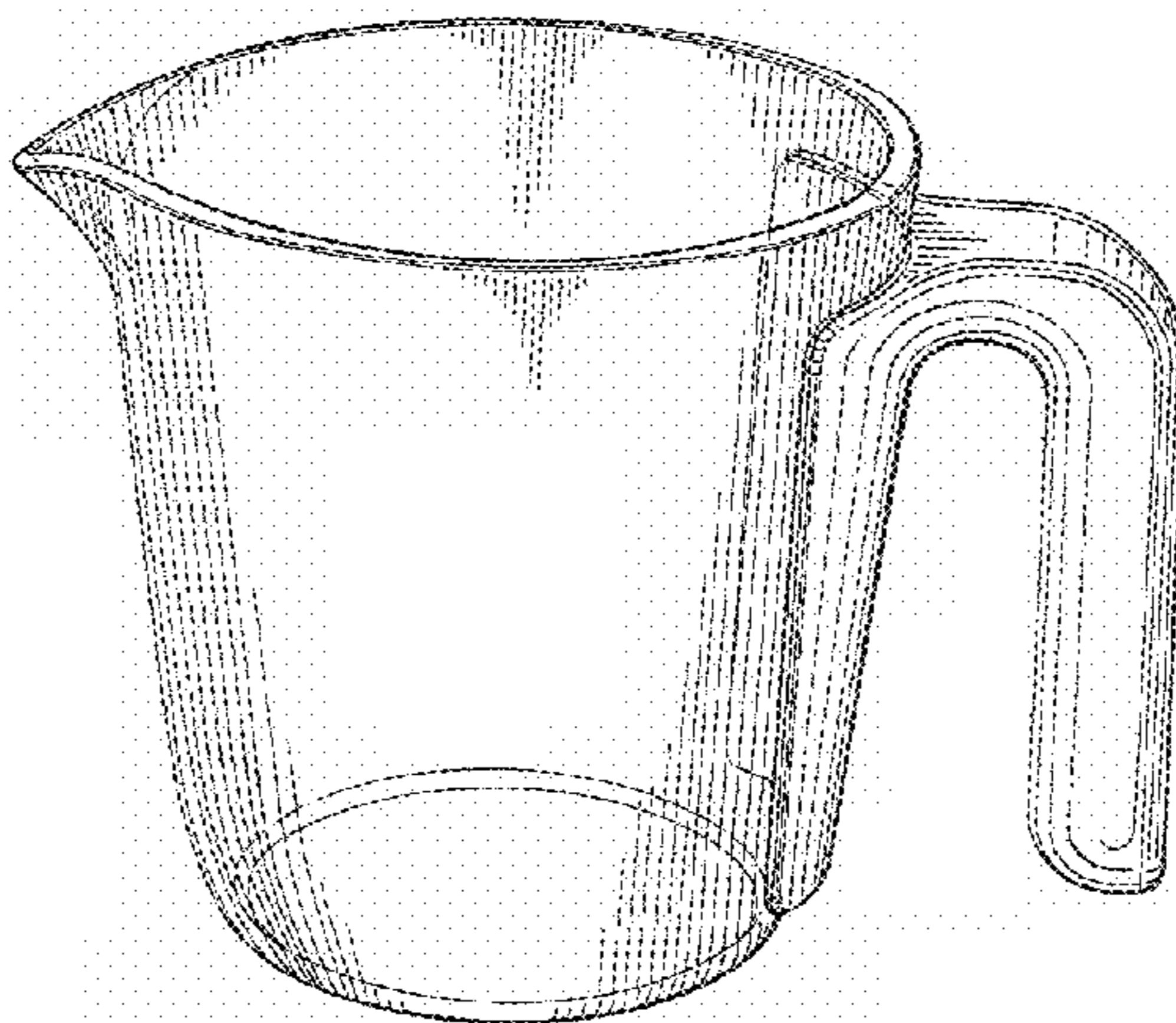
We claim the ornamental design for a measuring container,  
as shown and described.

39,346 A	7/1863	Hillman
153,159 A	7/1874	Dinwiddie
217,050 A	7/1879	Block
258,035 A	5/1882	Eastman
432,018 A	3/1890	Young
449,147 A	3/1891	Welch
598,891 A	2/1898	Barnekov
679,628 A	7/1901	Lehmann
925,582 A	6/1909	Kipp
1,105,114 A	7/1914	Tsuru
1,250,890 A	12/1917	Johnson
1,386,571 A	8/1921	Jackson
1,507,968 A	9/1924	Johnson
1,674,475 A	8/1928	Loomis
1,711,798 A	5/1929	Knight
D99,405 S	4/1936	Marschall
2,165,045 A	7/1939	Garside
2,756,771 A	8/1956	Bauer
D202,368 S	9/1965	Feldman
D202,369 S	9/1965	Feldman
3,530,722 A	9/1970	Miller
3,636,360 A	1/1972	Oishi et al.
3,672,061 A	6/1972	Alessi
3,832,785 A	9/1974	Miller

**DESCRIPTION**

FIG. 1 is a perspective view of a measuring container according to the new design;  
FIG. 2 is a front view of the measuring container shown in FIG. 1, the rear view being a mirror image thereof;  
FIG. 3 left side view of the measuring container shown in FIG. 1;  
FIG. 4 right side view of the measuring container shown in FIG. 1;  
FIG. 5 top view of the measuring container shown in FIG. 1; and,  
FIG. 6 is a bottom view of the measuring container shown in FIG. 1.  
Features shown in broken lines in the drawings are not part of the claim.

**1 Claim, 3 Drawing Sheets**



# US D562,160 S

Page 2

## U.S. PATENT DOCUMENTS

D268,158 S 3/1983 Doyel  
D287,324 S \* 12/1986 Schmidt ..... D10/46.2  
4,641,025 A 2/1987 Miller  
5,235,853 A 8/1993 Froes  
5,607,078 A 3/1997 Nordberg et al.  
D394,217 S 5/1998 Laib  
5,823,046 A 10/1998 Schagerstrom et al.  
5,863,431 A 1/1999 Salzburg  
5,966,214 A 10/1999 Imbrock et al.  
6,048,069 A 4/2000 Nagaoka et al.  
6,098,029 A 8/2000 Takagi et al.  
D431,478 S 10/2000 Fortier  
6,212,953 B1 4/2001 Bethune  
6,238,907 B1 5/2001 Schuler-Maloney et al.  
6,263,732 B1 7/2001 Hoeting et al.  
6,357,130 B1 3/2002 Rank  
6,375,031 B1 4/2002 Kwan  
D473,148 S \* 4/2003 Kleckauskas et al. .... D10/46.2  
6,769,302 B1 \* 8/2004 King et al. .... 73/427

2001/0042402 A1 11/2001 Hoeting et al.  
2002/0029635 A1 3/2002 Kremen

## FOREIGN PATENT DOCUMENTS

JP 61160024 7/1986  
JP 2000304590 11/2000

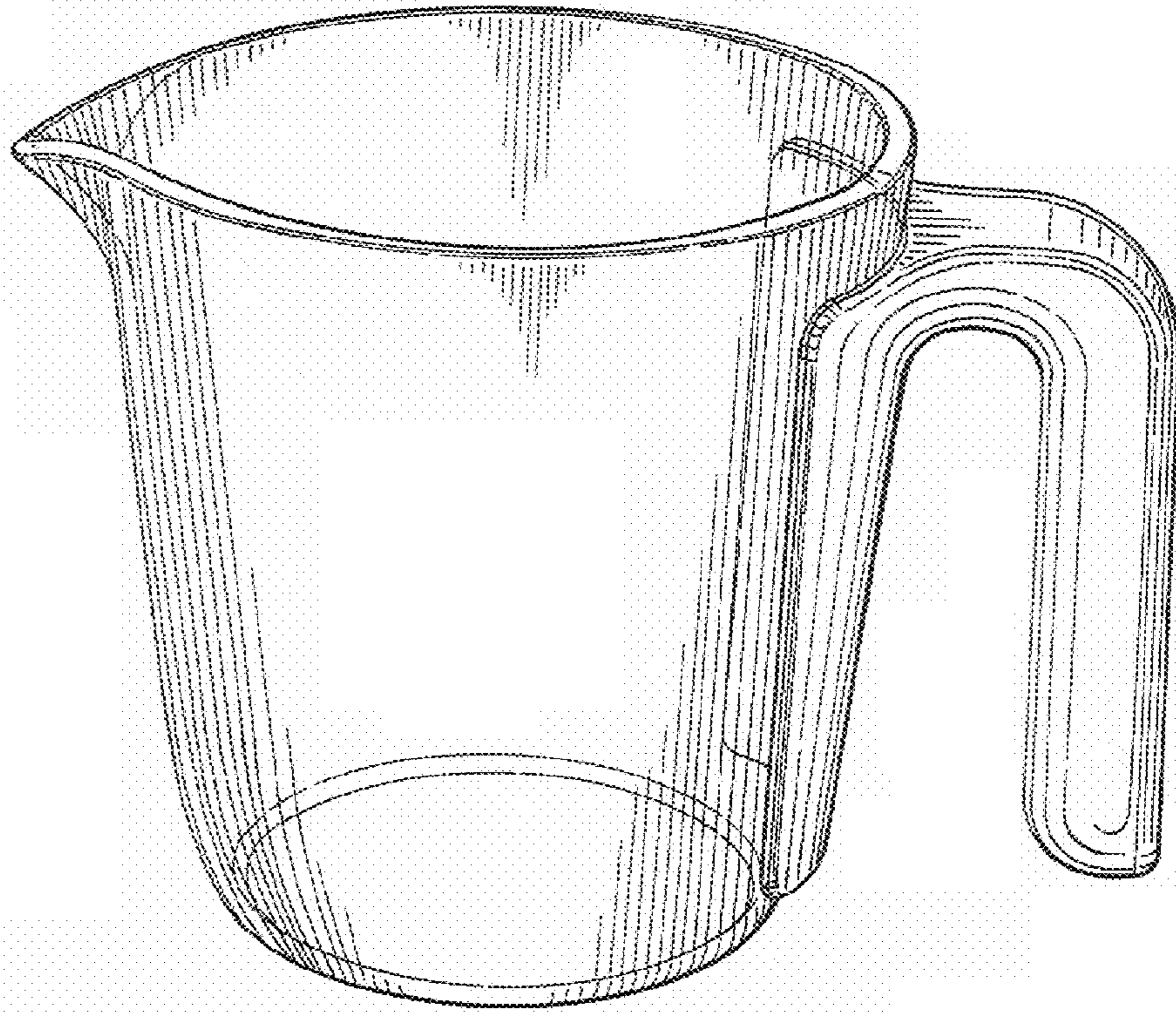
## OTHER PUBLICATIONS

Exhibit A - Image of a Rubbermaid® measuring cup believed to be sold prior to the filing date of the subject application.  
Exhibit B - Image of a Rubbermaid® measuring cup believed to be sold prior to the filing date of the subject application.  
Exhibit C - Image of a Pyrex® measuring cup believed to be sold prior to the filing date of the subject application.  
Exhibit D - Image of a Pyrex® measuring cup believed to be sold prior to the filing date of the subject application.  
Exhibit E - Image of a Zyliss® measuring cup believed to be sold prior to the filing date of the subject application.

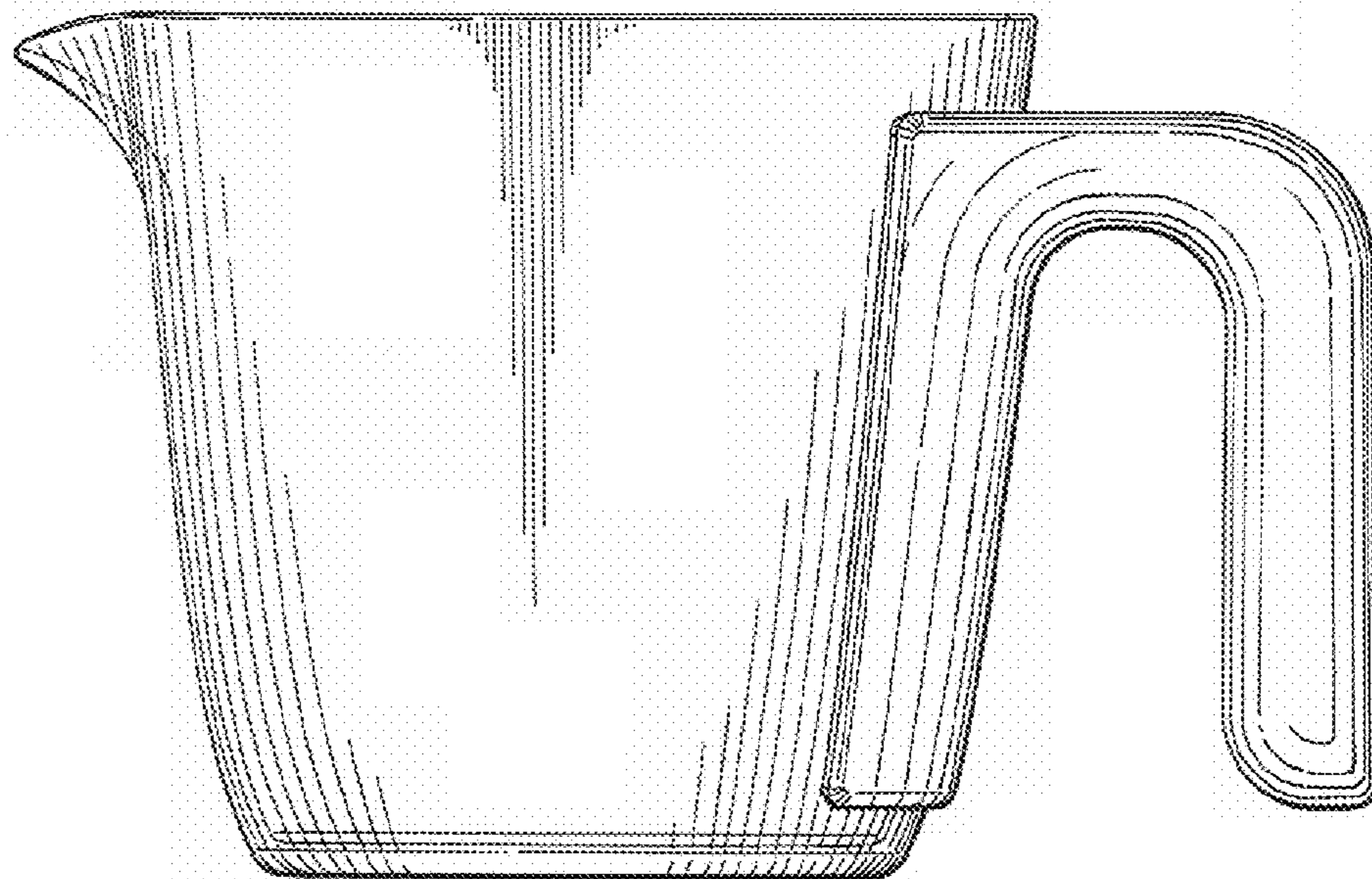
\* cited by examiner



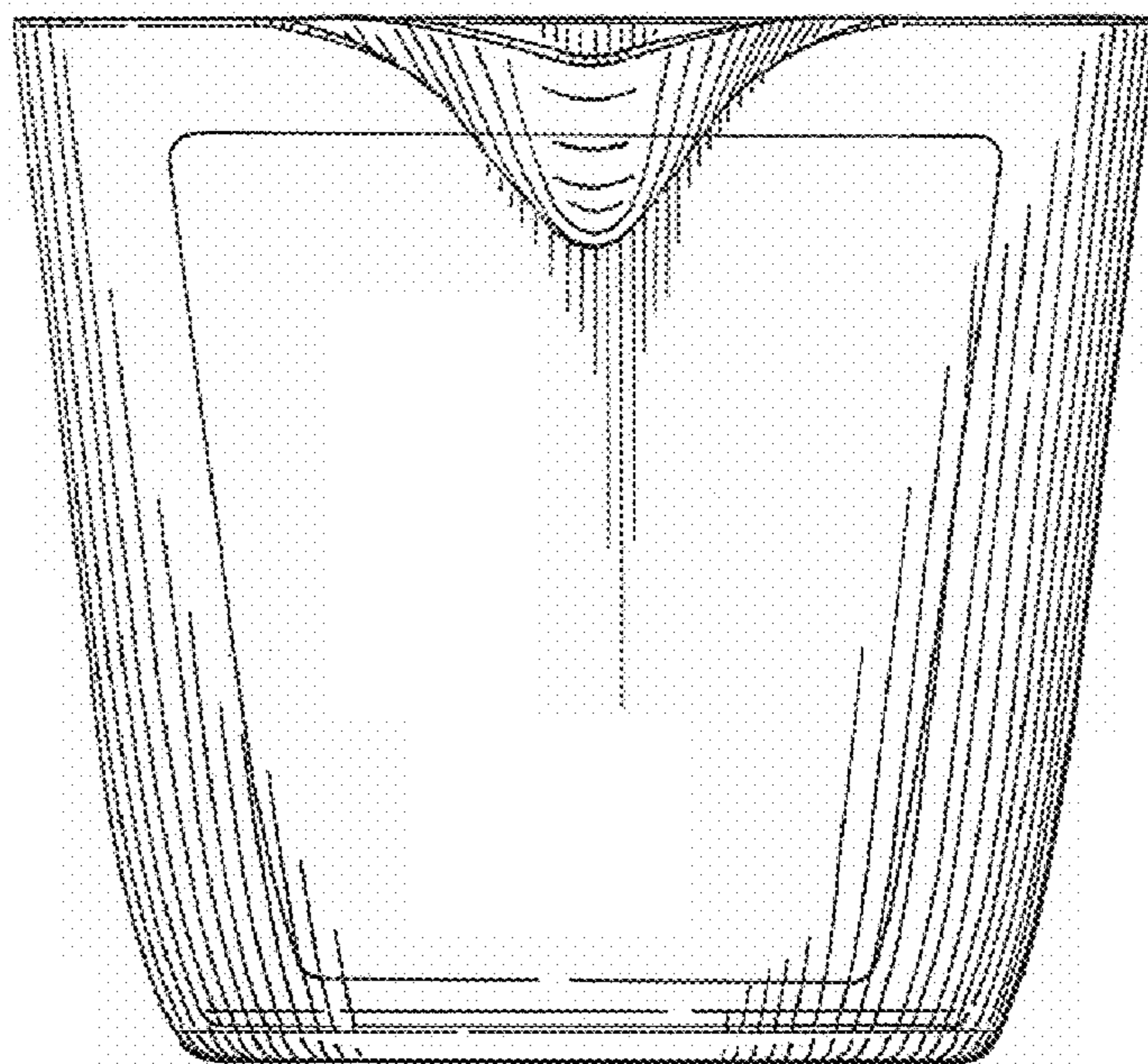
*FIG. 1*



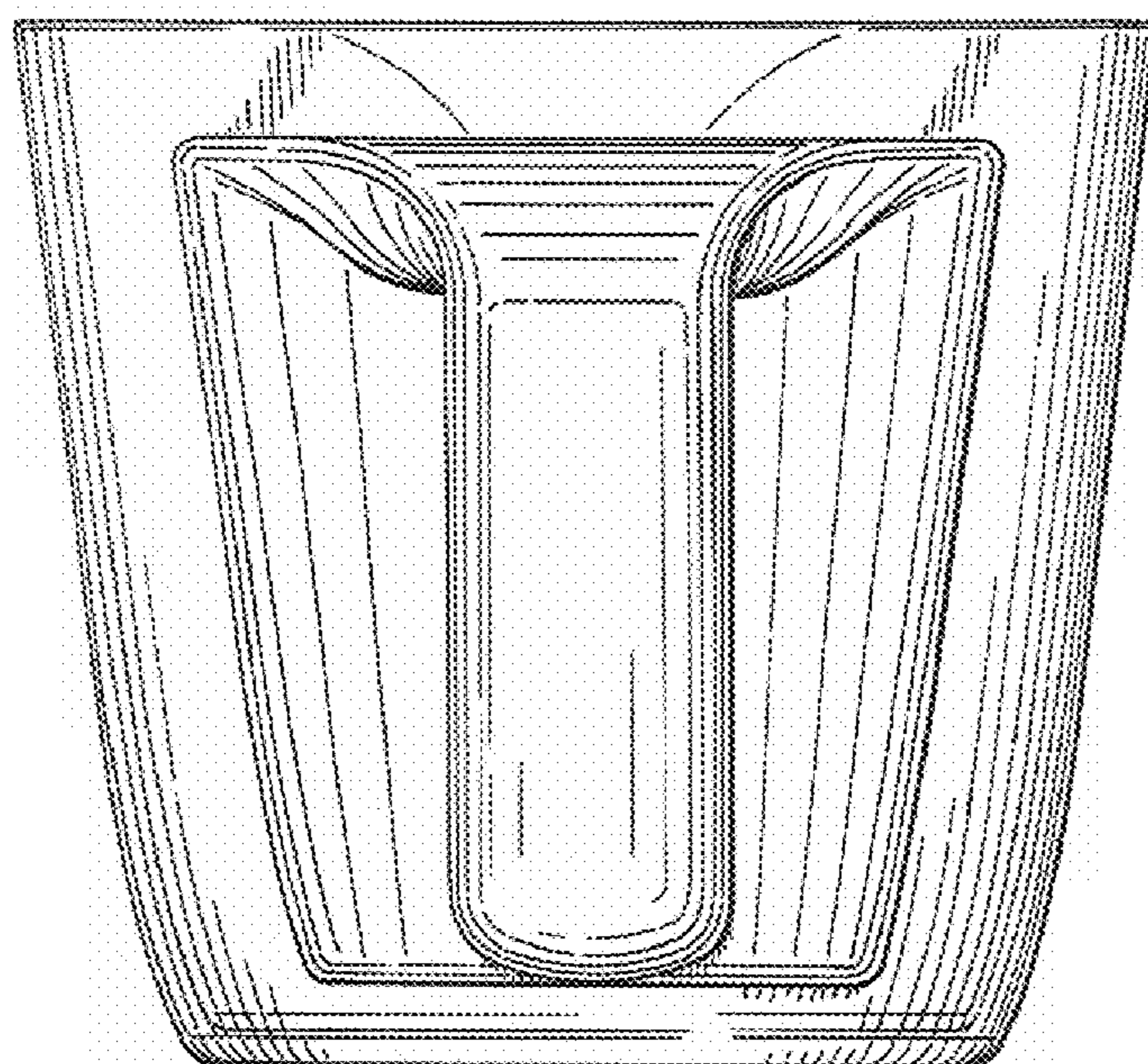
*FIG. 2*



*FIG. 3*

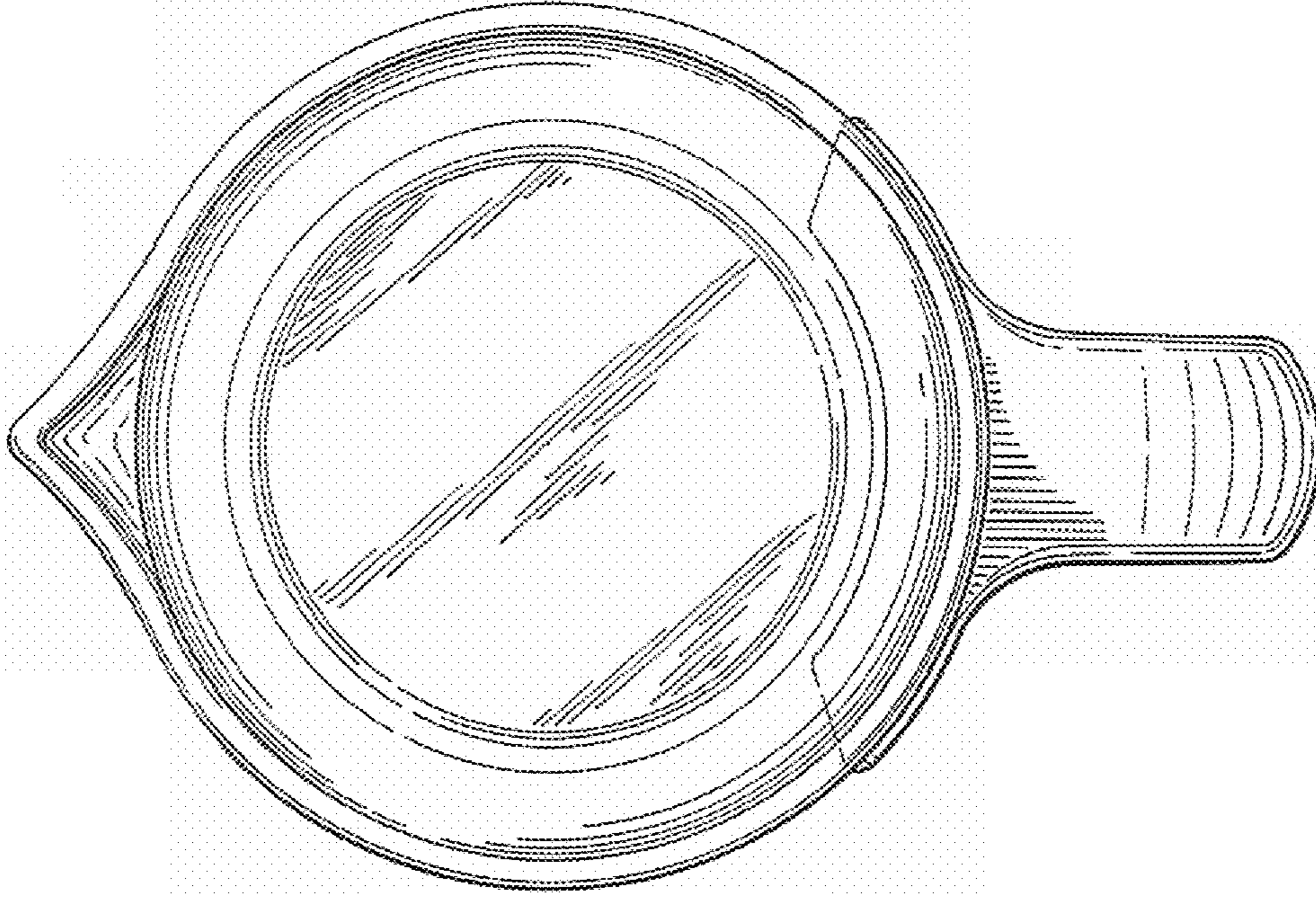


*FIG. 4*





*FIG. 5*



*FIG. 6*

