



US00D562159S

(12) **United States Design Patent**
Griffith et al.

(10) **Patent No.:** **US D562,159 S**

(45) **Date of Patent:** **** Feb. 19, 2008**

(54) **MEASURING CUP**

2004/0089982 A1 5/2004 Witthoft

(75) Inventors: **Jonah S. Griffith**, Seattle, WA (US);
Bob Ludeman, Maple Valley, WA (US)

* cited by examiner

Primary Examiner—Terry A Wallace

(73) Assignee: **Chef'n Corporation**, Seattle, WA (US)

(74) *Attorney, Agent, or Firm*—Seed IP Law Group PLLC

(**) Term: **14 Years**

(57) **CLAIM**

(21) Appl. No.: **29/277,616**

The ornamental design for a measuring cup, as shown and described.

(22) Filed: **Mar. 2, 2007**

(51) **LOC (8) Cl.** **10-04**

(52) **U.S. Cl.** **D10/46.2**

(58) **Field of Classification Search** D10/46.2,
D10/46.3; 294/55; 220/6, 8, 665, 667; 73/426-429;
D7/533; 206/519, 520
See application file for complete search history.

DESCRIPTION

FIG. 1 is a perspective view of a measuring cup with handle in a first configuration of our new design.

FIG. 2 is a bottom plan view thereof.

FIG. 3 is a side elevation view, the other side view being a mirror image thereof.

FIG. 4 is a top plan view thereof.

FIG. 5 is a front elevation view thereof.

FIG. 6 is a rear elevation view thereof; and,

FIG. 7 is a side elevation view with handle in a second configuration thereof.

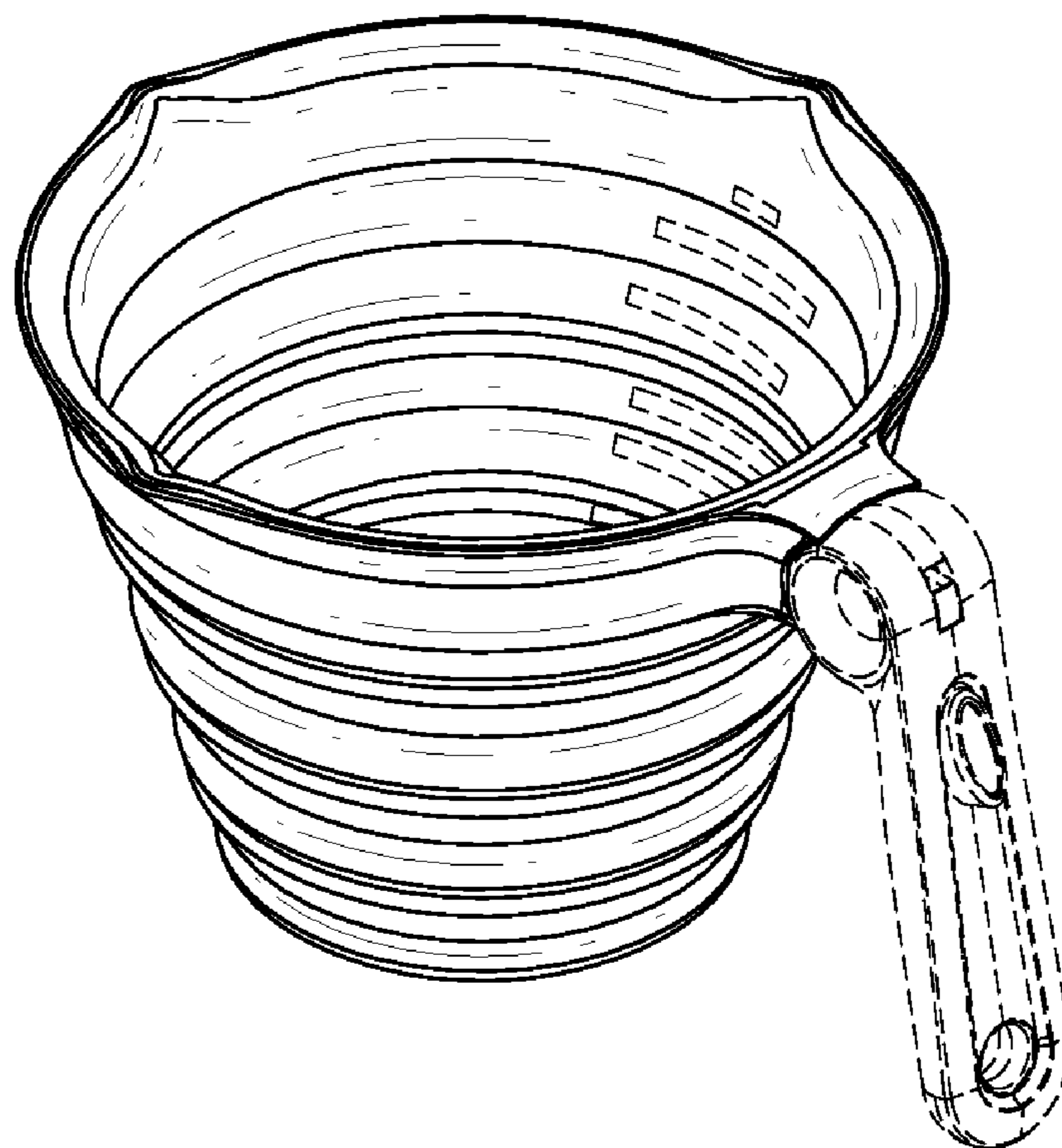
The broken lines in the figures are for illustrative purposes only and form no part of the claimed design.

(56) **References Cited**

U.S. PATENT DOCUMENTS

3,490,290	A *	1/1970	Bilson	73/427
4,082,184	A *	4/1978	Hammer	206/519
4,377,191	A	3/1983	Yamaguchi		
4,875,576	A	10/1989	Torgimson et al.		
5,439,128	A	8/1995	Fishman		
D461,420	S *	8/2002	Kerman	D10/46.2
6,769,302	B1 *	8/2004	King et al.	73/427
7,048,317	B2	5/2006	Netsch		

1 Claim, 4 Drawing Sheets



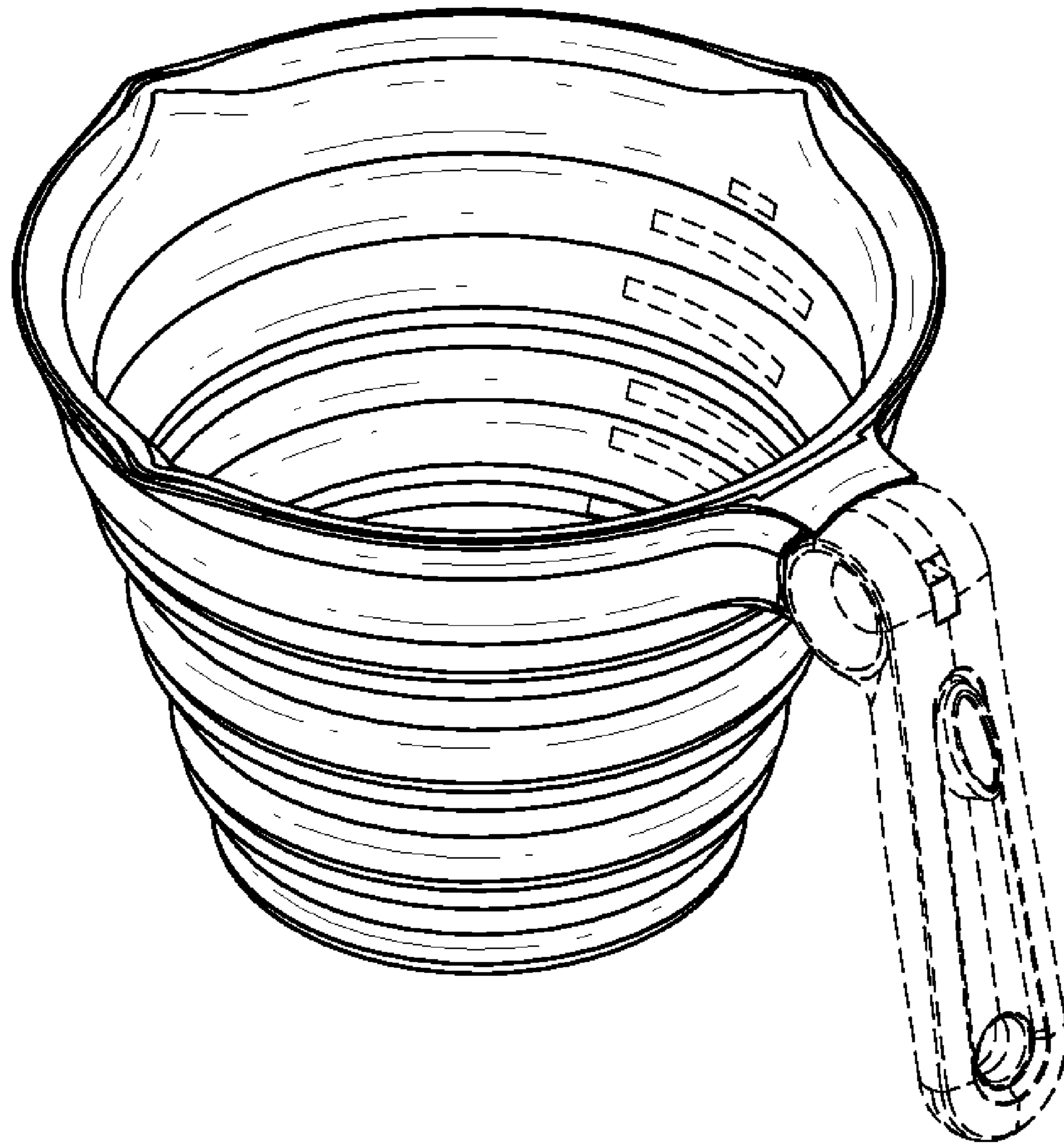


FIG. 1

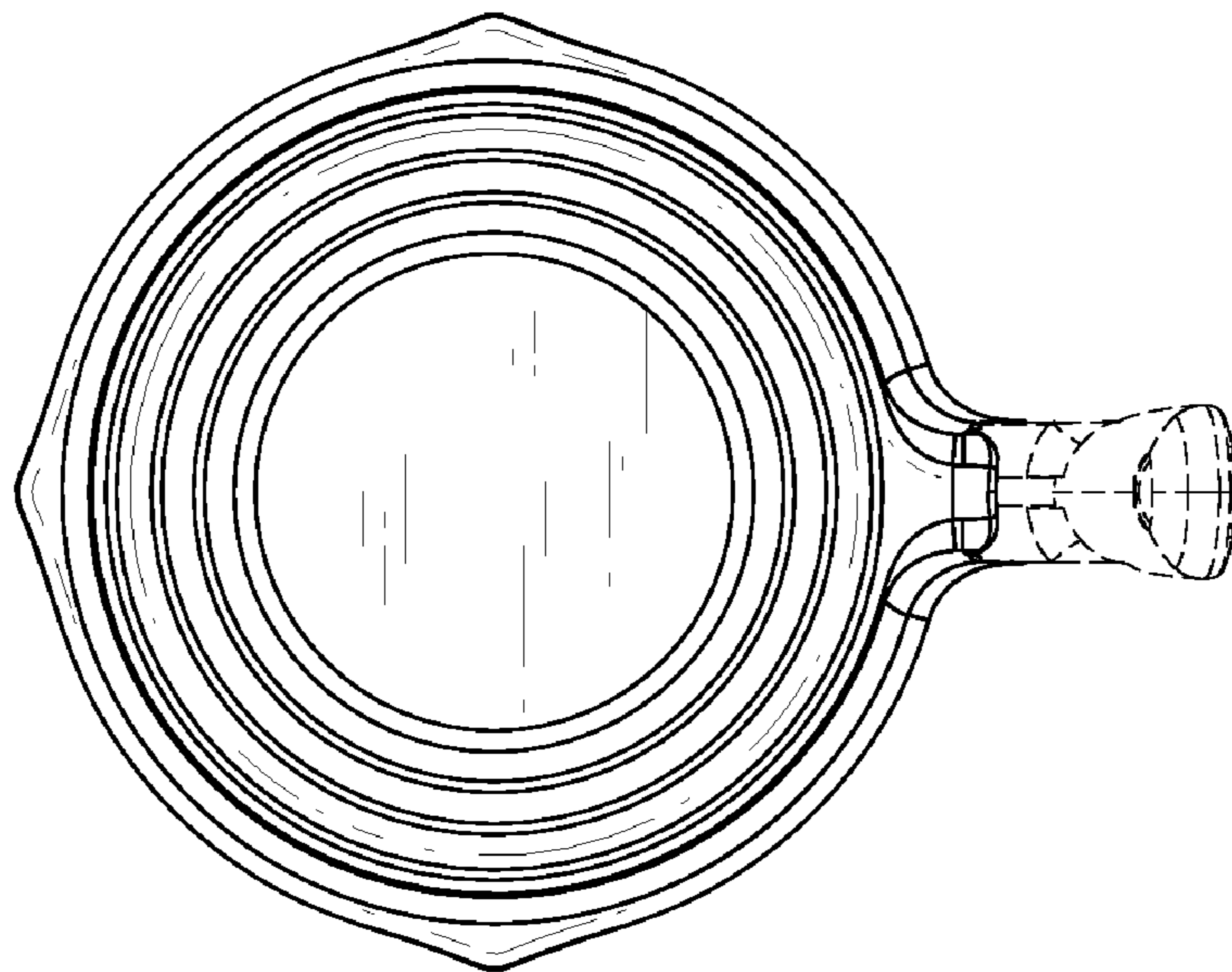


FIG. 2

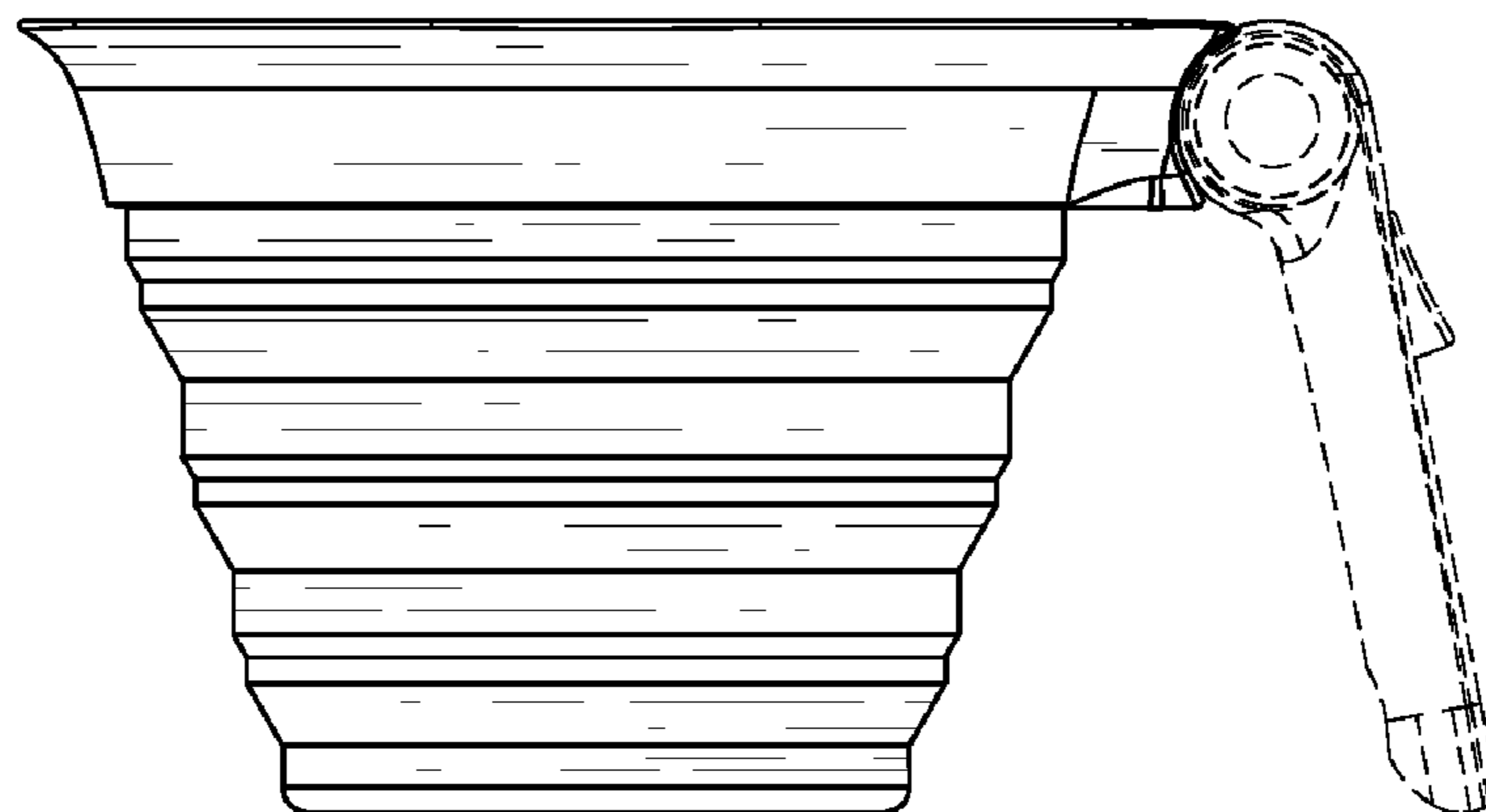


FIG. 3

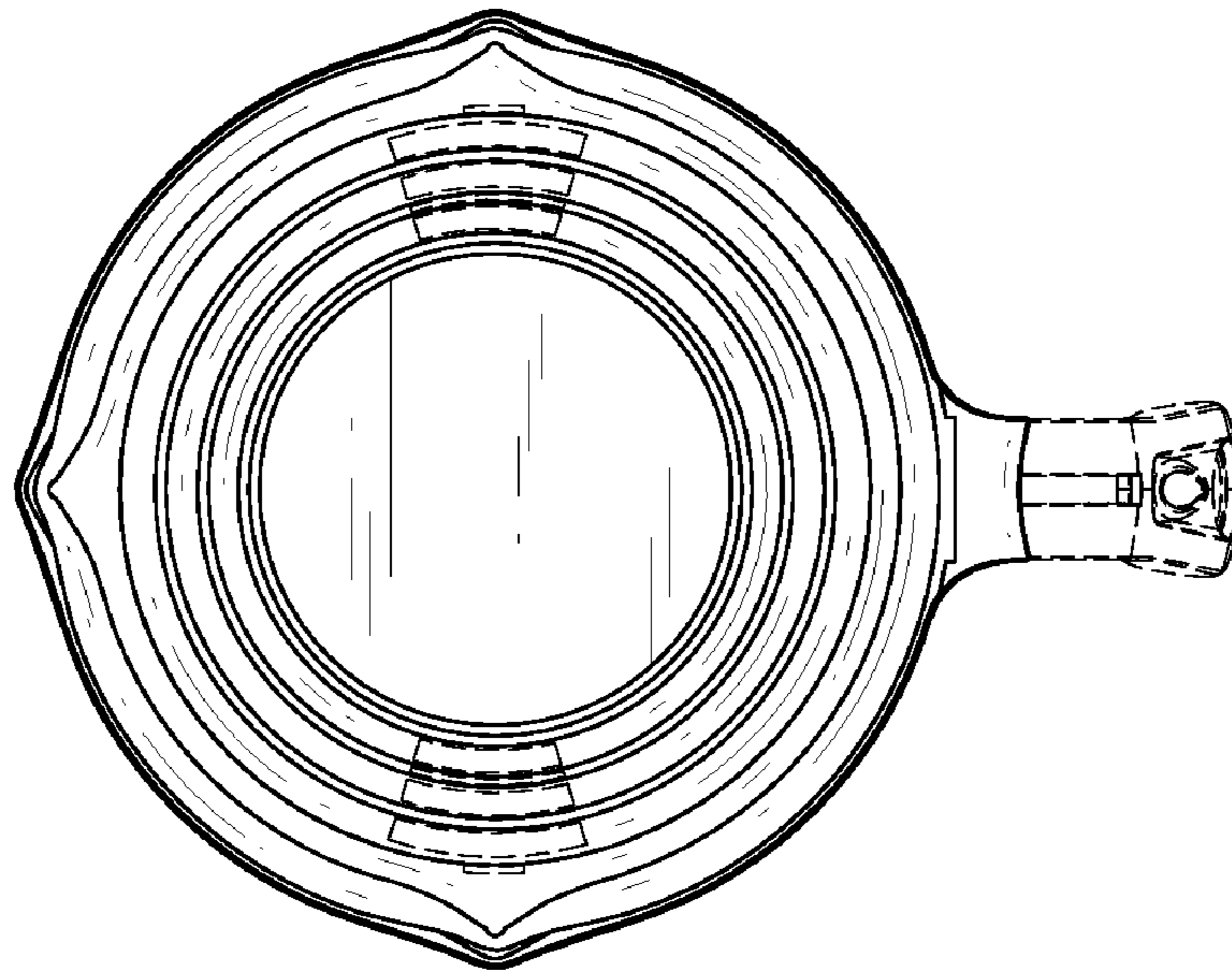


FIG. 4

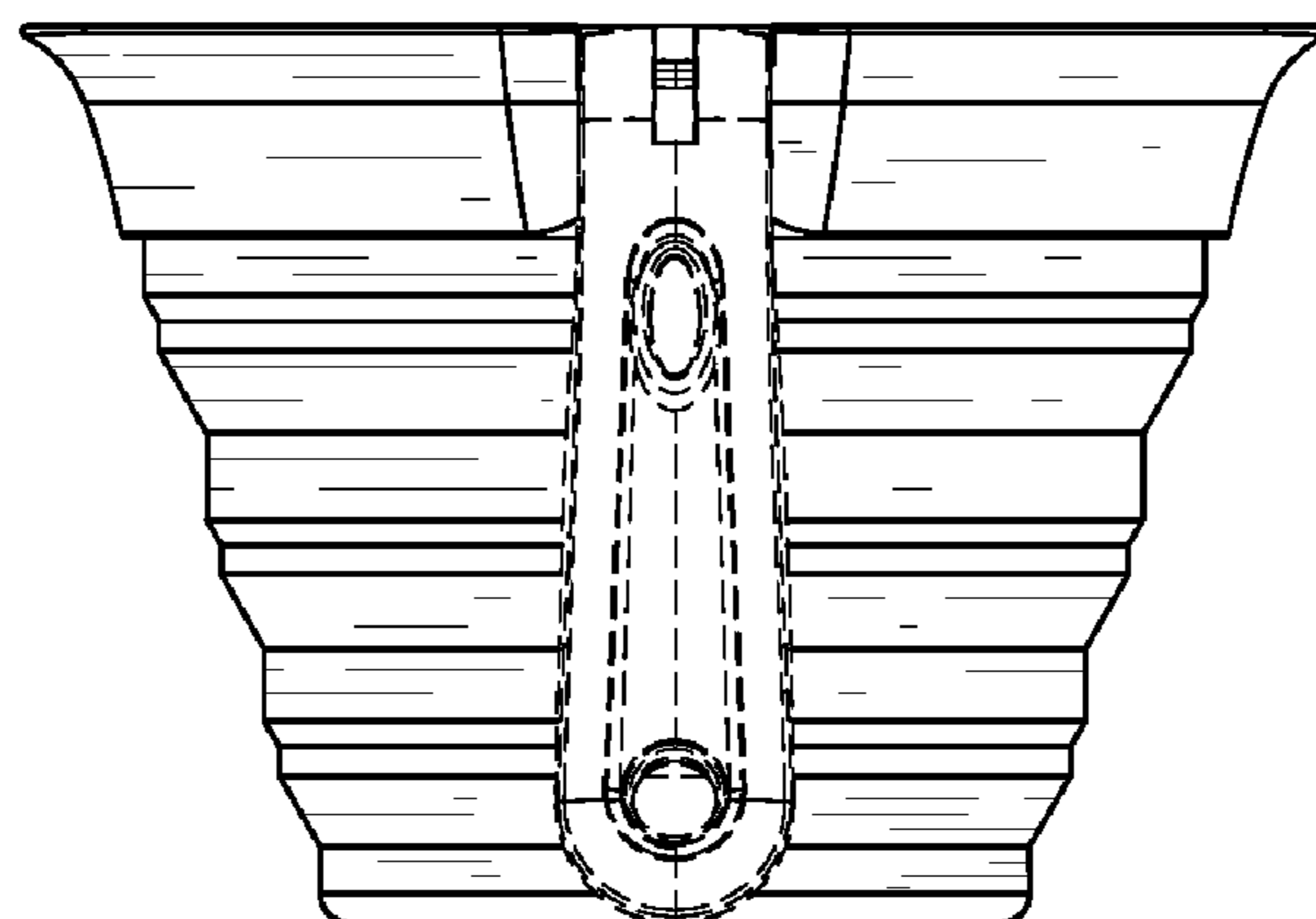


FIG. 5

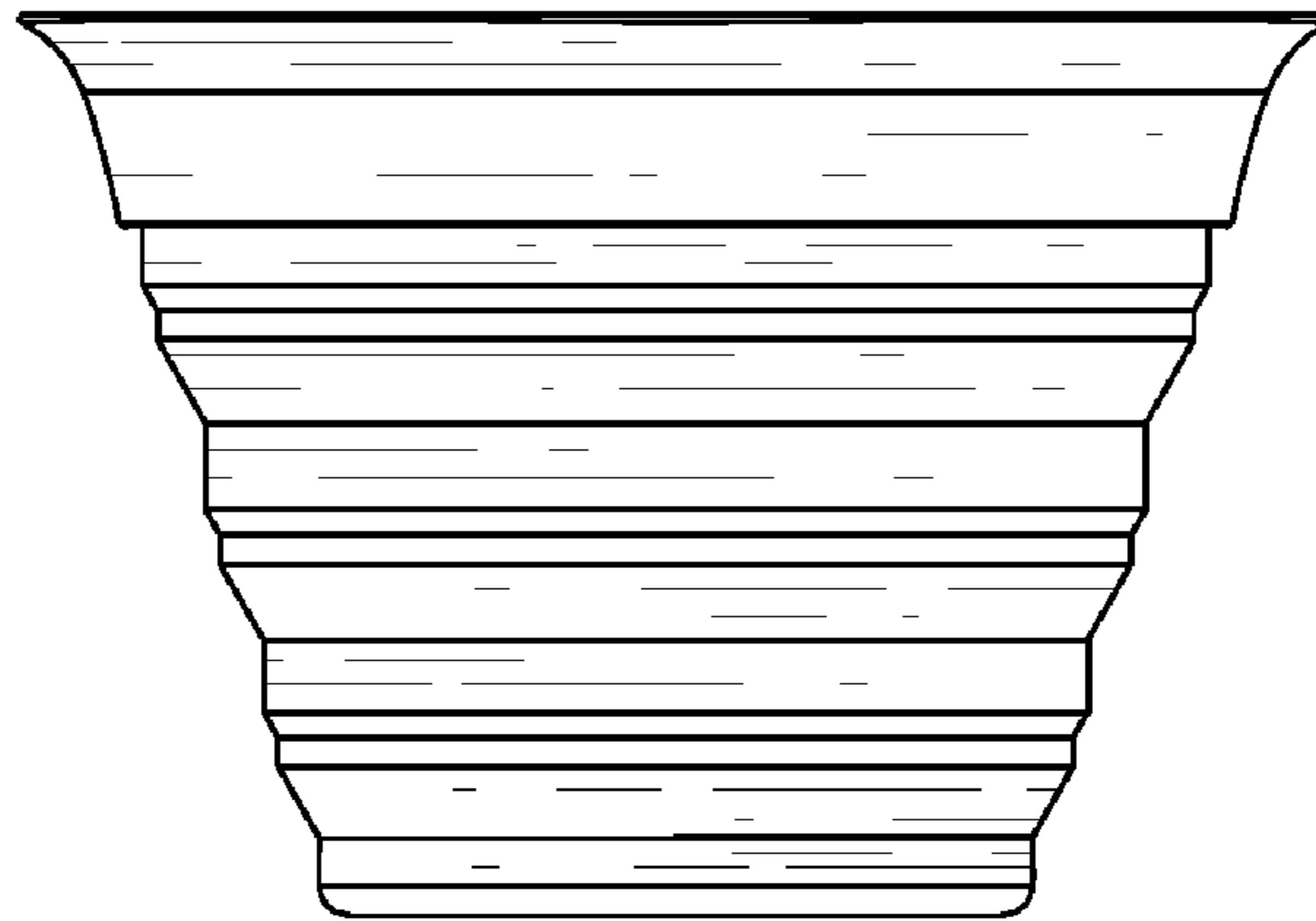


FIG. 6

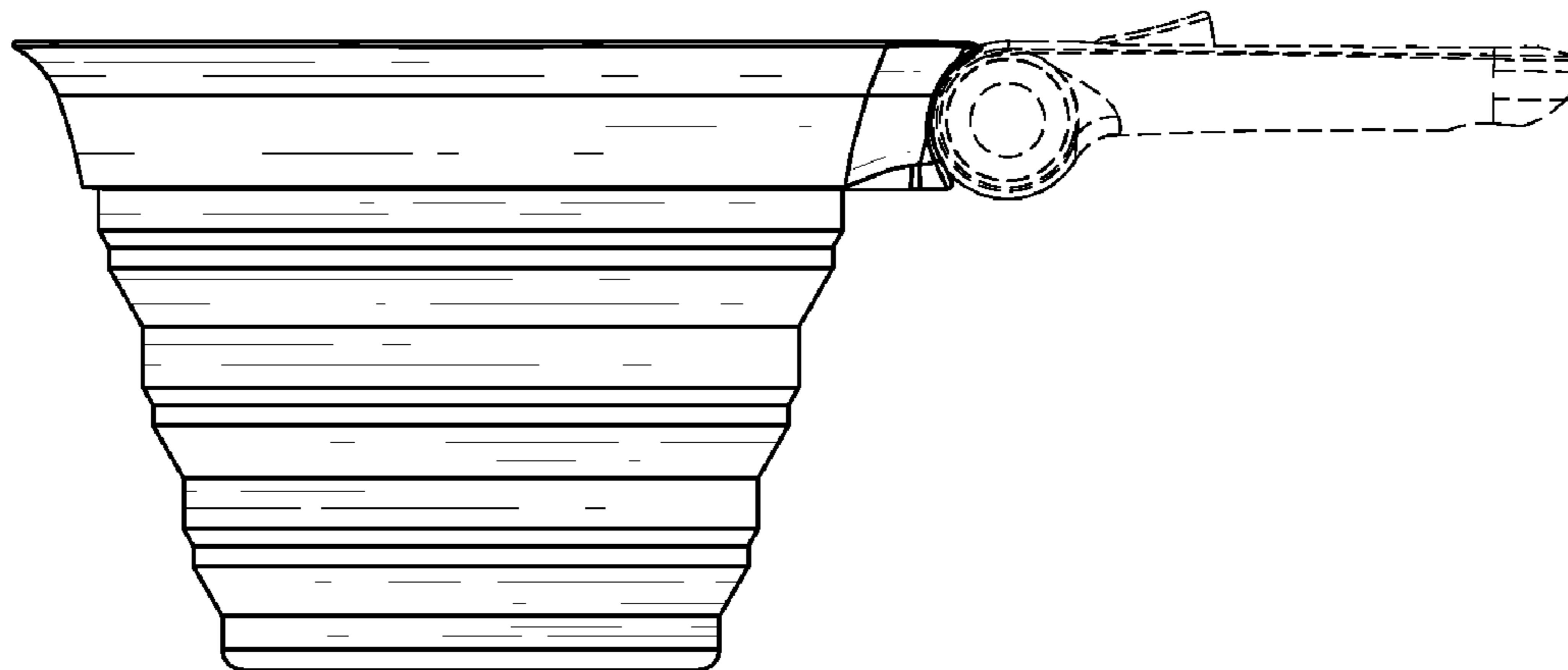


FIG. 7