



US00D562158S

(12) **United States Design Patent**  
**Tsai**

(10) **Patent No.:** **US D562,158 S**

(45) **Date of Patent:** **\*\* Feb. 19, 2008**

(54) **FRICTION TEST MACHINE FOR  
GUIDEWAY**

(75) Inventor: **Hung-Sheng Tsai**, Taichung (TW)

(73) Assignee: **Hiwin Mikrosystem Corp.**, Taichung  
(TW)

(\*\*) Term: **14 Years**

(21) Appl. No.: **29/250,619**

(22) Filed: **Nov. 22, 2006**

(51) **LOC (8) Cl.** ..... **10-04**

(52) **U.S. Cl.** ..... **D10/46**

(58) **Field of Classification Search** ..... D10/46;  
73/7, 9, 10

See application file for complete search history.

(56) **References Cited**

U.S. PATENT DOCUMENTS

D295,966 S \* 5/1988 Hutter et al. .... D10/46  
6,199,424 B1 \* 3/2001 Mani et al. .... 73/9

6,349,587 B1 \* 2/2002 Mani et al. .... 73/9

\* cited by examiner

*Primary Examiner*—Antoine D. Davis

(74) *Attorney, Agent, or Firm*—Banger Shia

(57) **CLAIM**

The ornamental design for a friction test machine for guideway, as shown and described.

**DESCRIPTION**

FIG. 1 is a perspective view of a friction test machine for guideway showing my new design;

FIG. 2 is a front elevational view thereof;

FIG. 3 is a rear elevational view thereof,

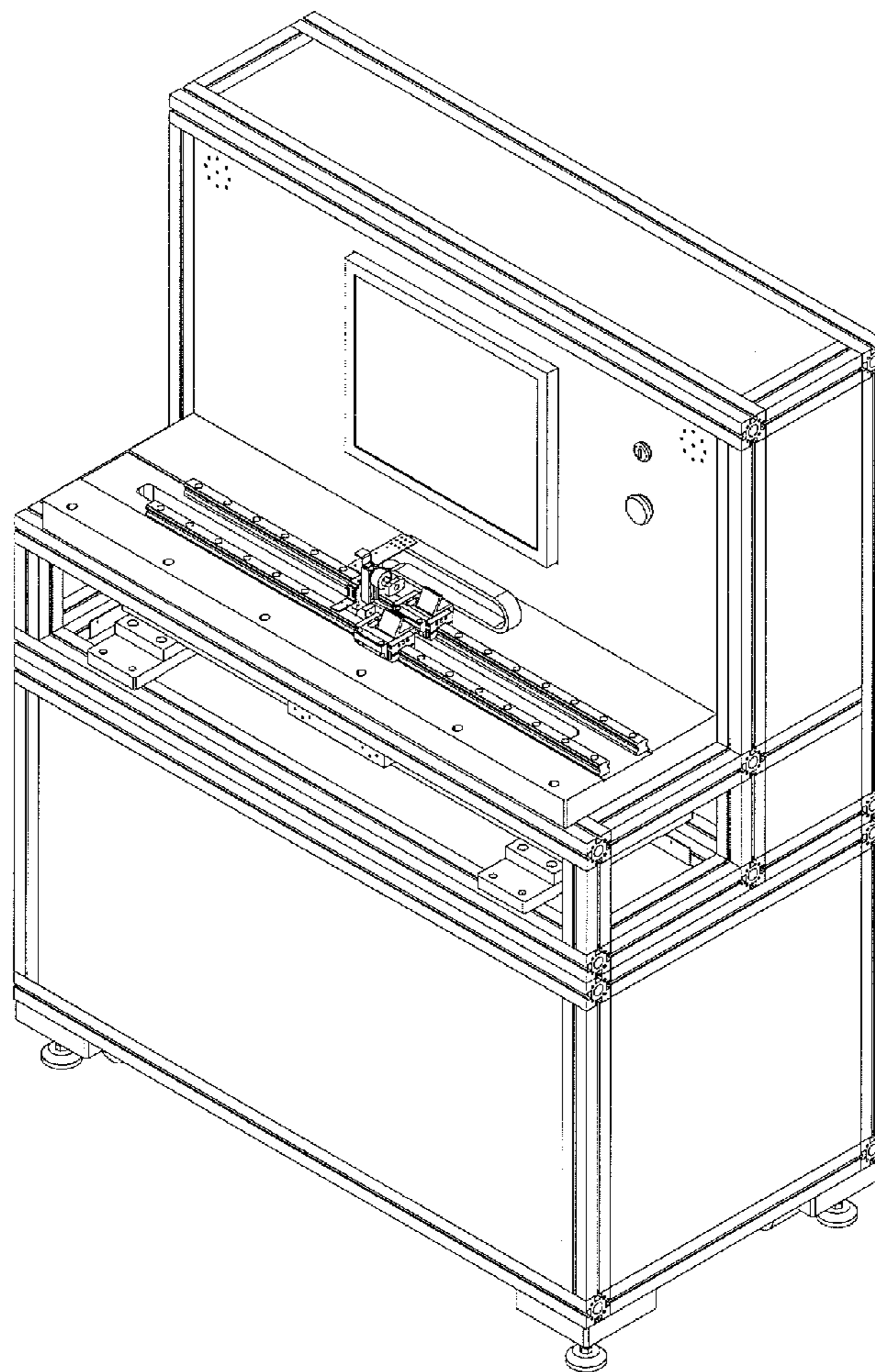
FIG. 4 is a left side elevational view thereof,

FIG. 5 is a right side elevational view thereof,

FIG. 6 is a top plan view thereof; and,

FIG. 7 is a bottom plan view to that shown.

**1 Claim, 7 Drawing Sheets**



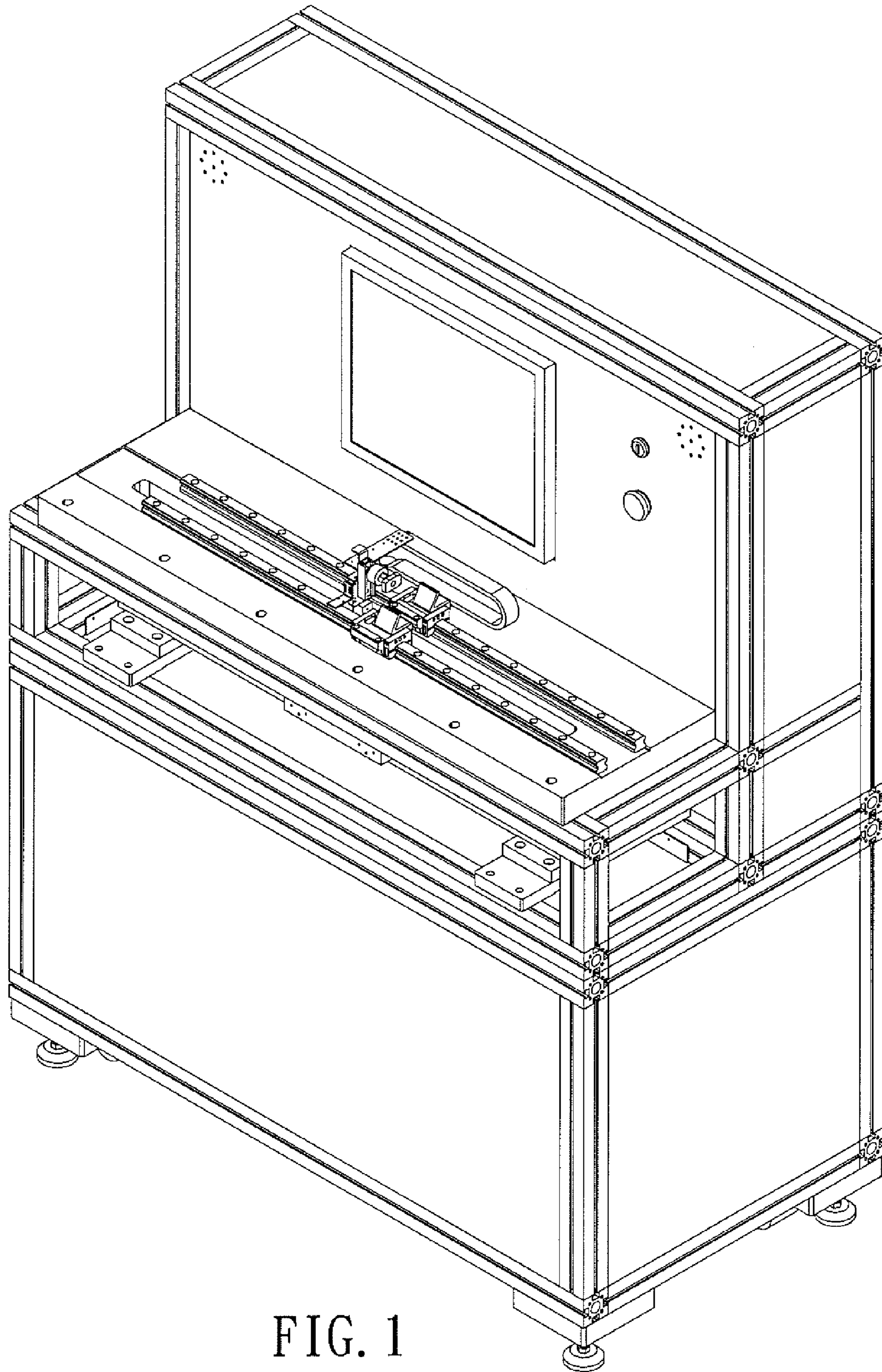


FIG. 1

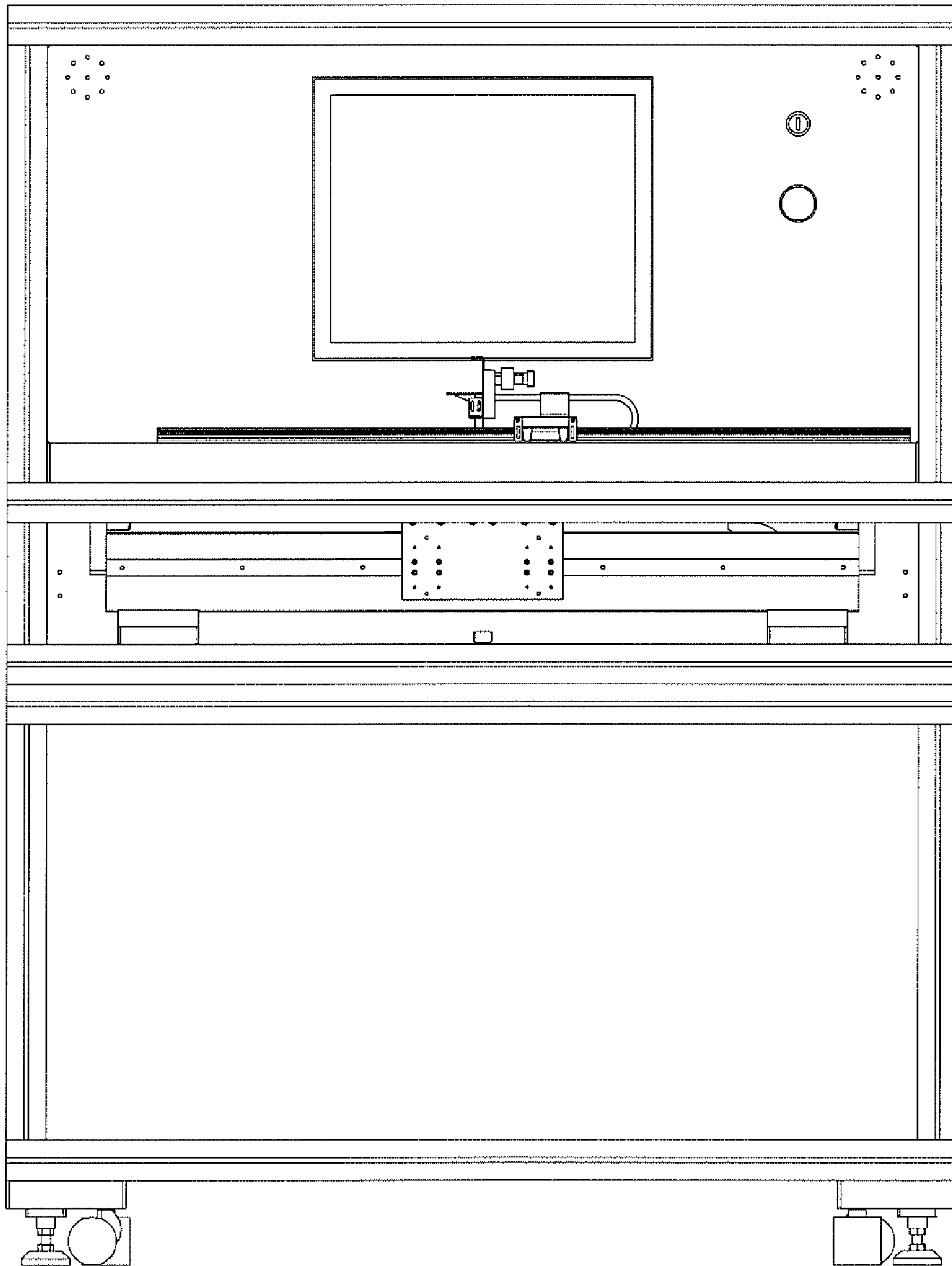


FIG. 2

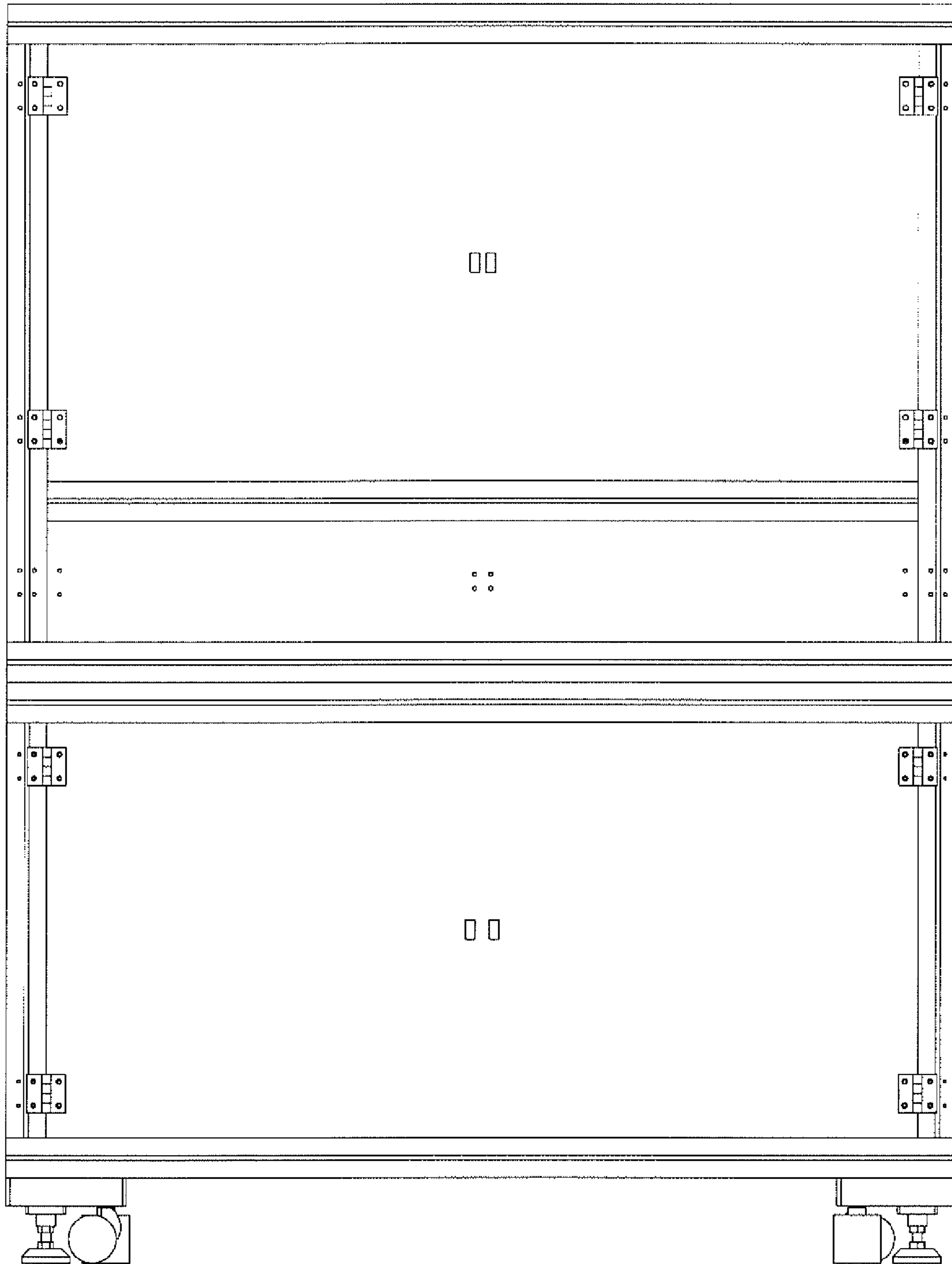


FIG. 3

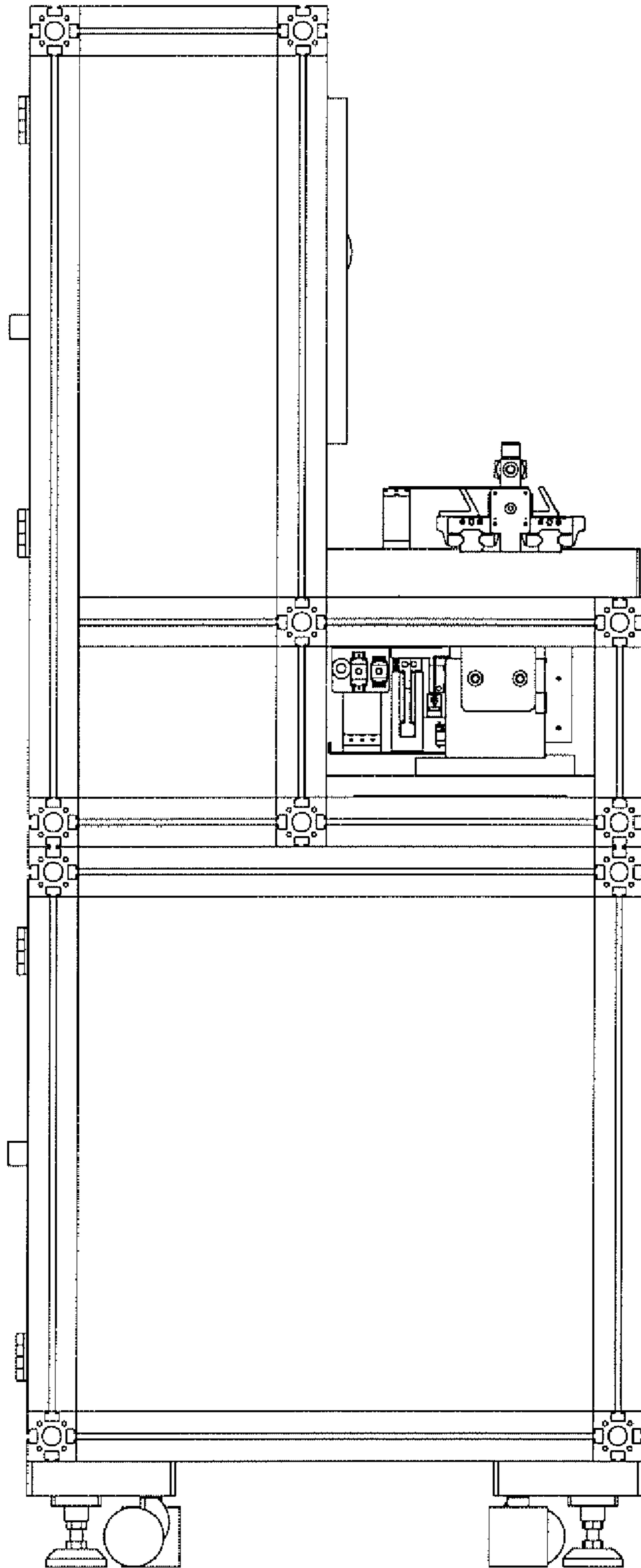


FIG. 4

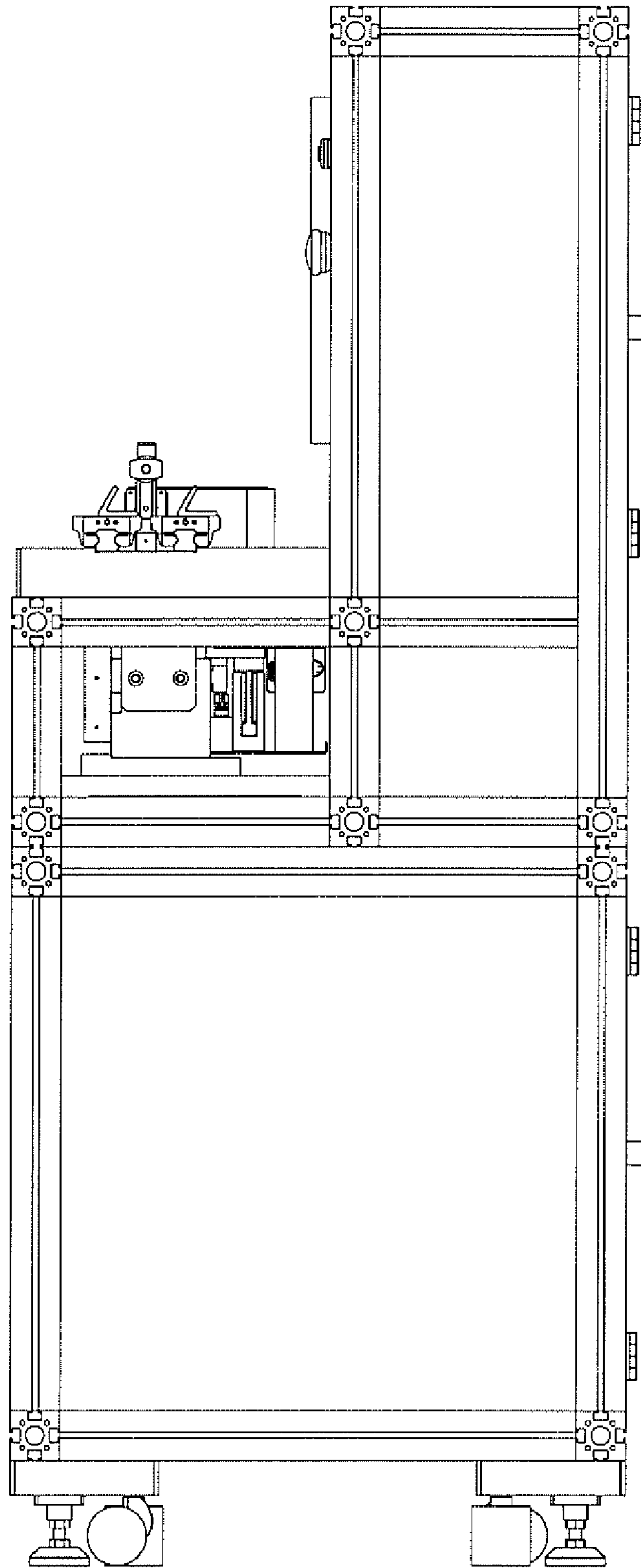


FIG. 5

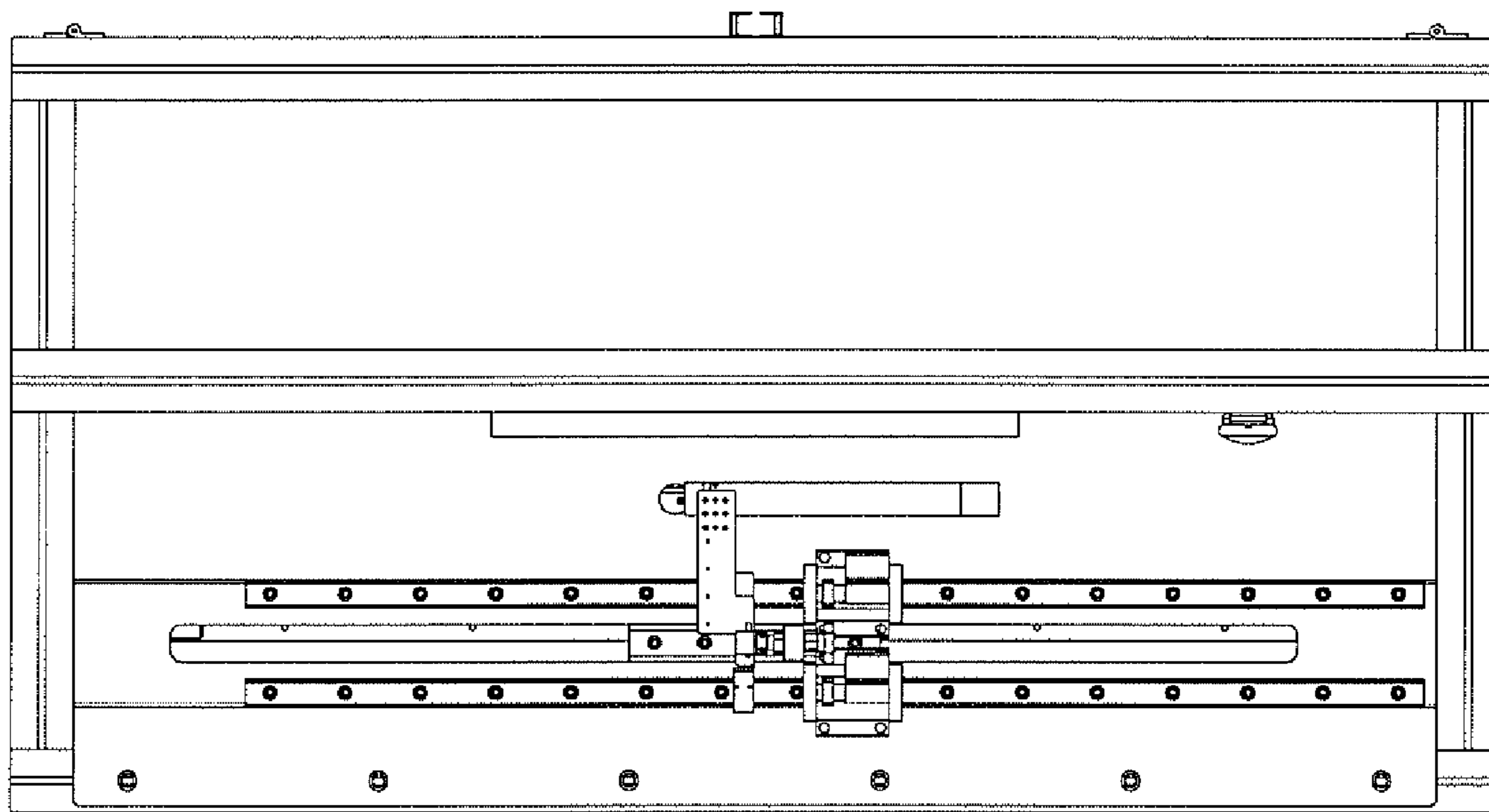


FIG. 6

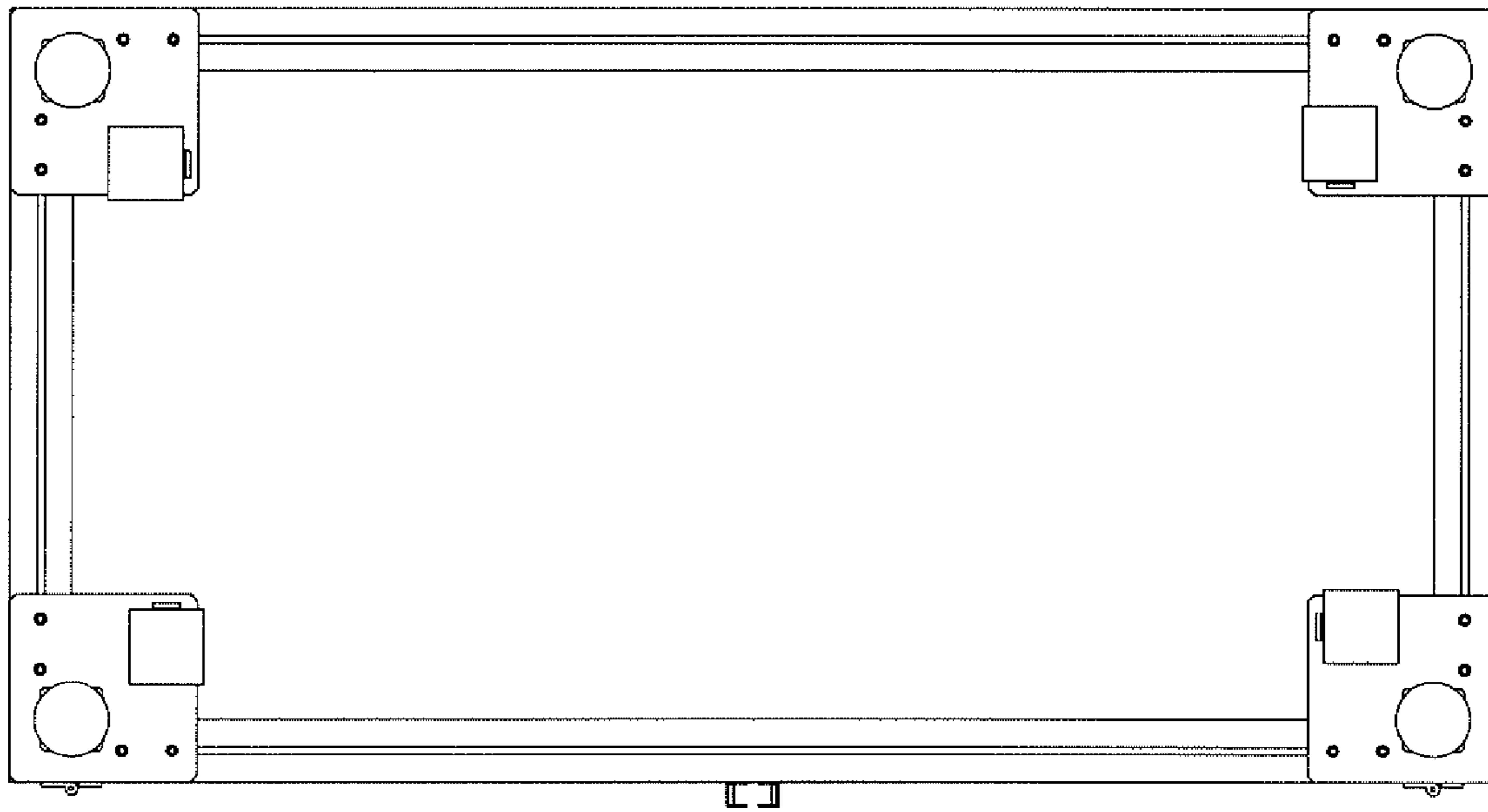


FIG. 7