

US00D562156S

(12) **United States Design Patent**  
**Pozzan**

(10) **Patent No.:** **US D562,156 S**

(45) **Date of Patent:** **\*\* Feb. 19, 2008**

(54) **CASE FOR WATCH**

D520,383 S \* 5/2006 Raffy ..... D10/32  
D528,443 S \* 9/2006 Bedat ..... D10/39

(76) Inventor: **Lorenzo Pozzan**, Via Corbetta 5, I -  
36100 Vicenza (IT)

\* cited by examiner

(\*\*) Term: **14 Years**

*Primary Examiner*—Lucy Lieberman  
(74) *Attorney, Agent, or Firm*—Hedman & Costigan PC;  
James V. Costigan

(21) Appl. No.: **29/259,640**

(22) Filed: **May 11, 2006**

(57) **CLAIM**

(30) **Foreign Application Priority Data**

Dec. 15, 2005 (EM) ..... 000449962

I claim, the ornamental design for a case for watch, as shown and described.

(51) **LOC (8) Cl.** ..... **10-02**

(52) **U.S. Cl.** ..... **D10/39**

(58) **Field of Classification Search** ..... D10/30-39,  
D10/122-132; 368/276, 277, 281-283, 285,  
368/223, 228, 232, 80, 306, 308, 319, 28,  
368/21, 294, 295

**DESCRIPTION**

See application file for complete search history.

FIG. 1 is a bottom plan view of the case for watch of the invention;

FIG. 2 is a top plan view of the case for watch of the invention;

FIG. 3 is a front elevation view of the case for watch of the invention;

FIG. 4 is a rear elevation view of the case for watch of the invention;

(56) **References Cited**

**U.S. PATENT DOCUMENTS**

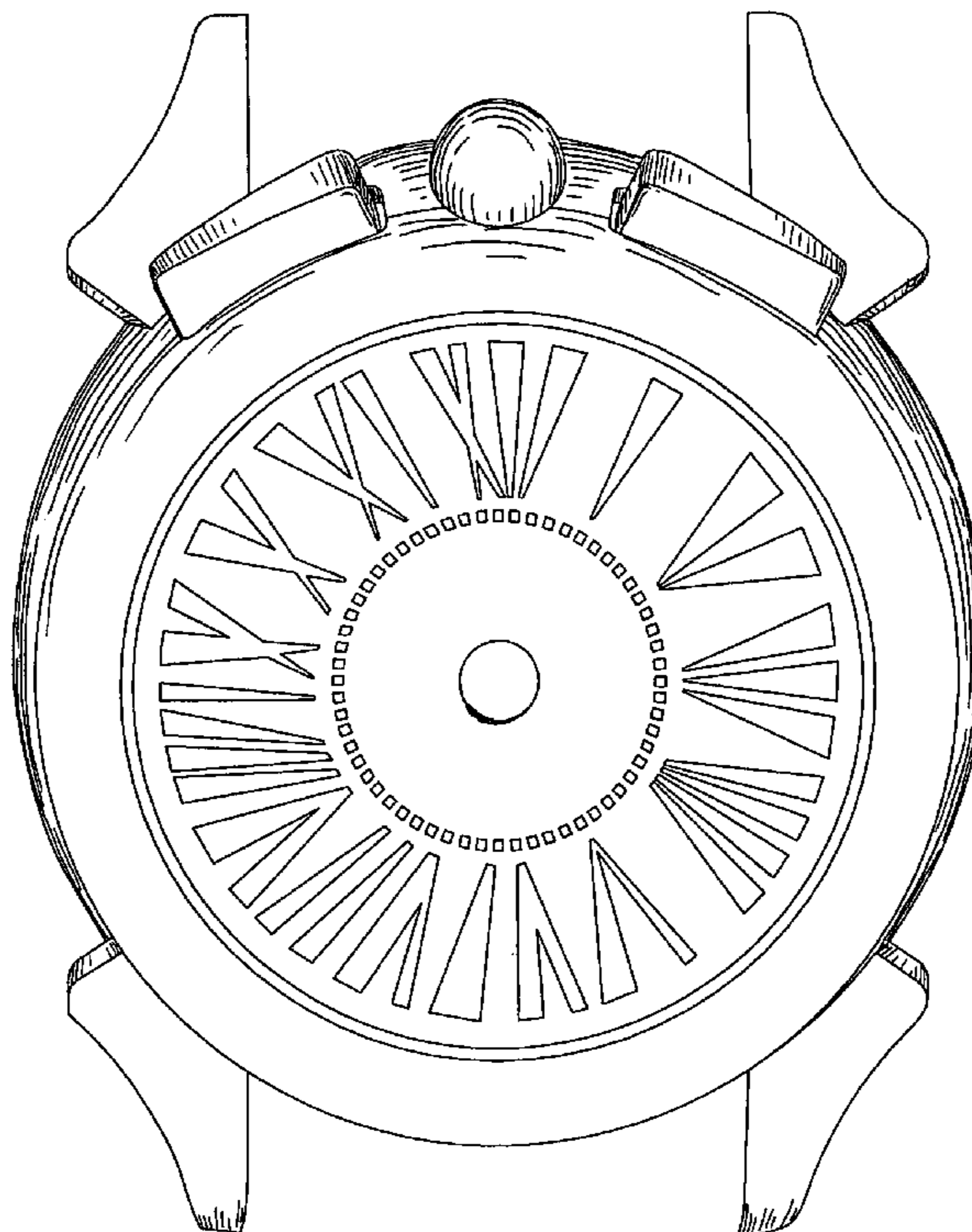
D78,044 S \* 3/1929 Steng ..... D10/126  
D172,992 S \* 9/1954 Schwankhaus ..... D10/38  
D183,732 S \* 10/1958 Fedor ..... D10/39  
D297,125 S \* 8/1988 Grinberg ..... D10/39  
D309,872 S \* 8/1990 Grinberg et al. .... D10/126  
D375,054 S \* 10/1996 Tomita ..... D10/38  
D385,805 S \* 11/1997 Giardiello ..... D10/39  
D477,236 S \* 7/2003 Robert-Tissot ..... D10/39

FIG. 5 is a right side elevation view of the case for watch of the invention;

FIG. 6 is a left side elevation view of the case for watch of the invention; and,

FIG. 7 is a perspective view of the case for watch of the invention.

**1 Claim, 5 Drawing Sheets**



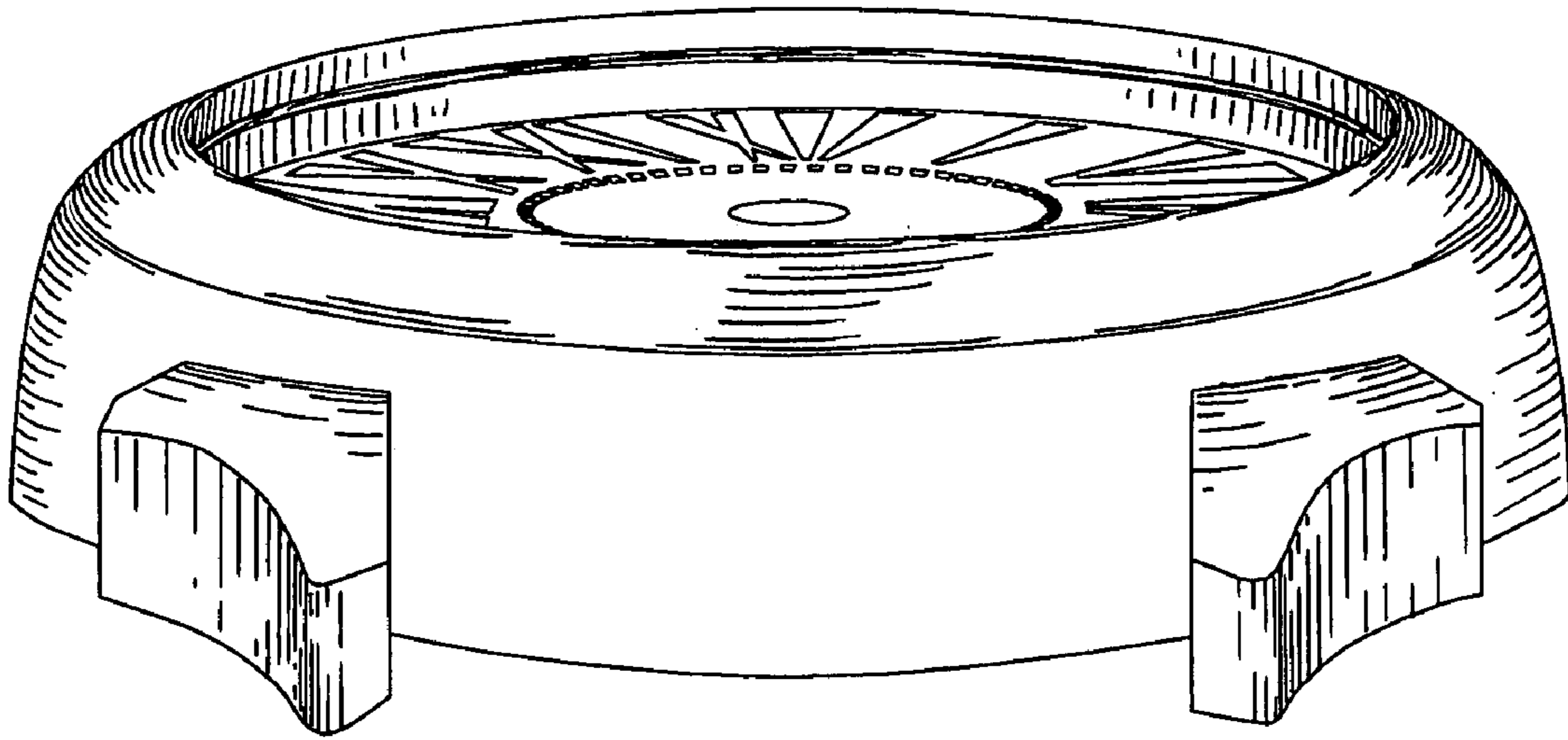


Fig. 1

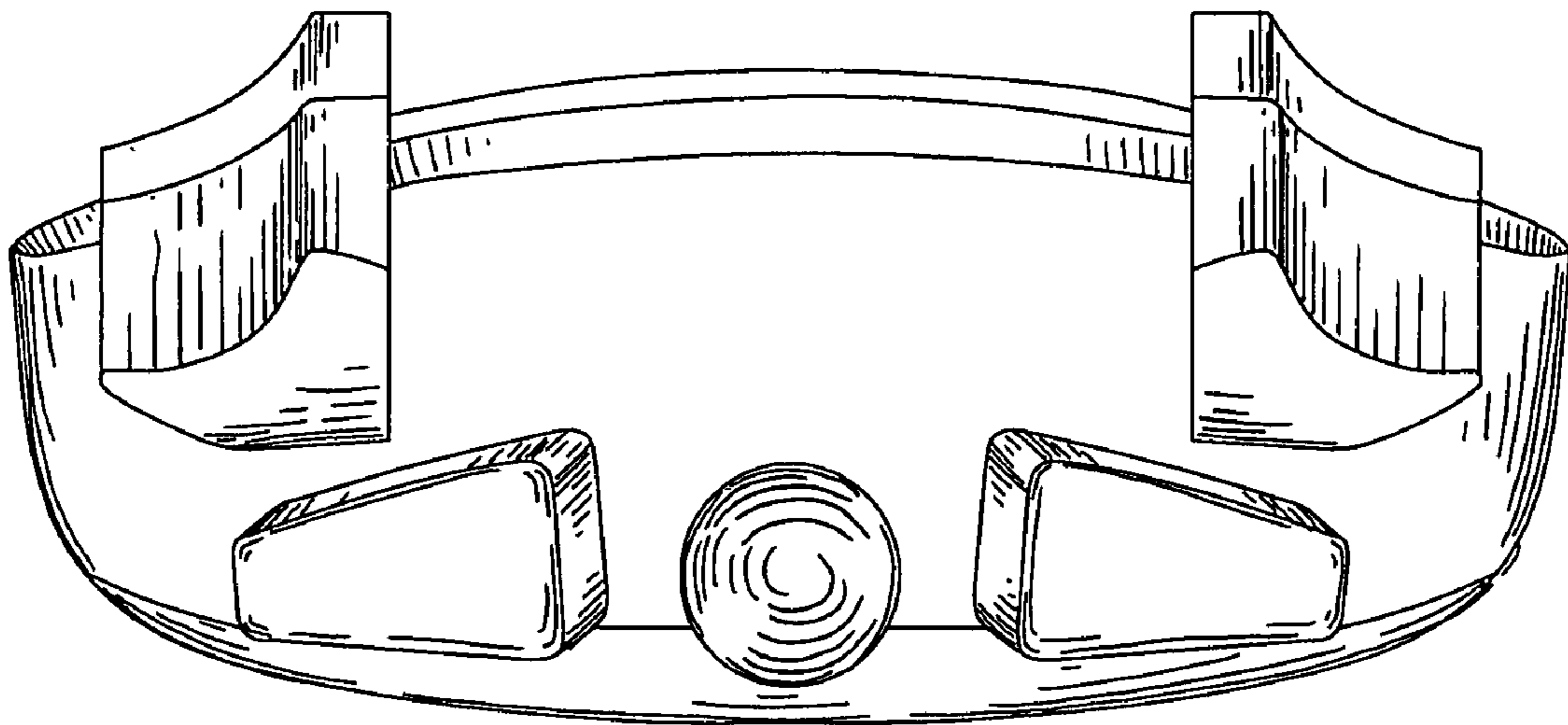


Fig. 2

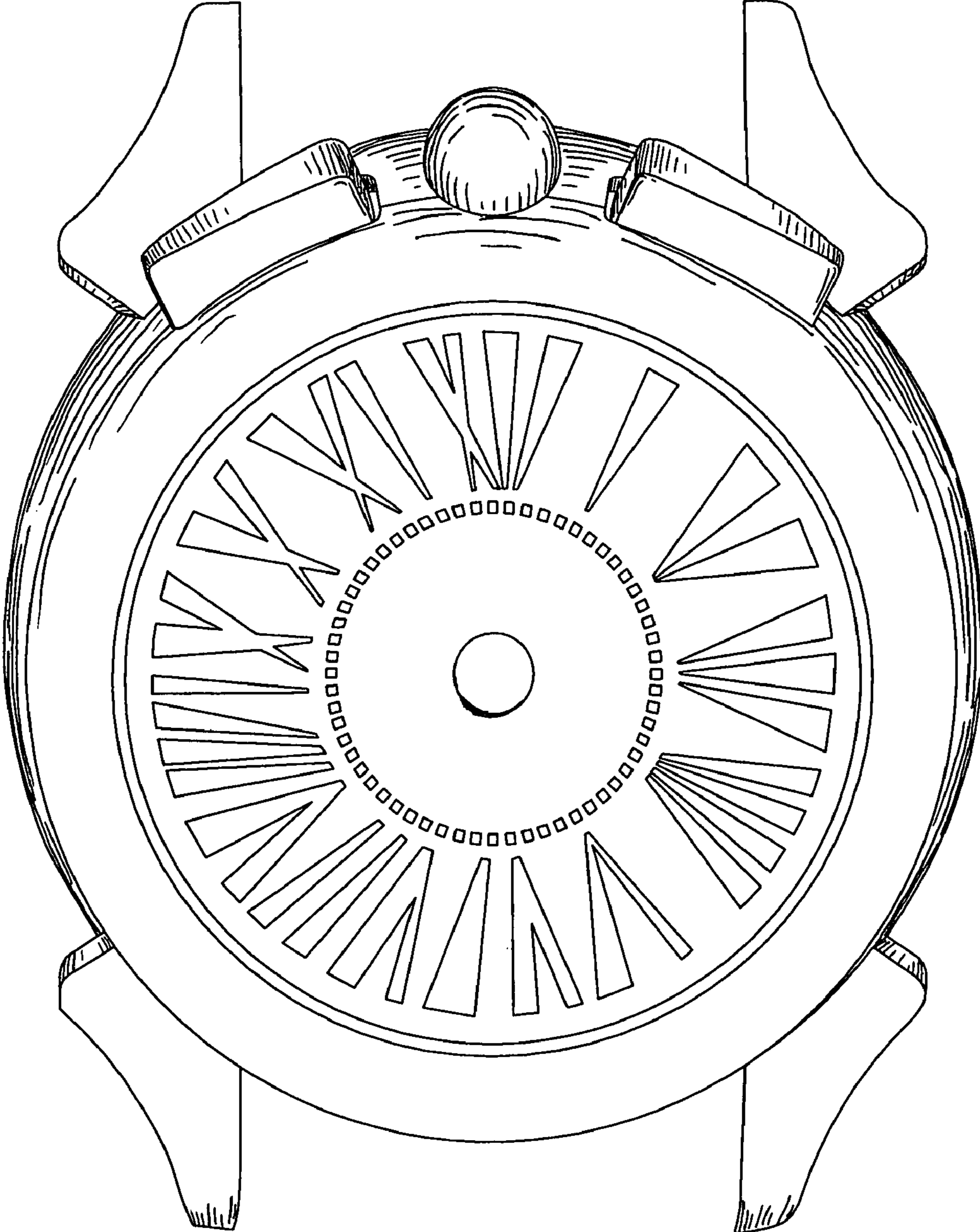


Fig. 3

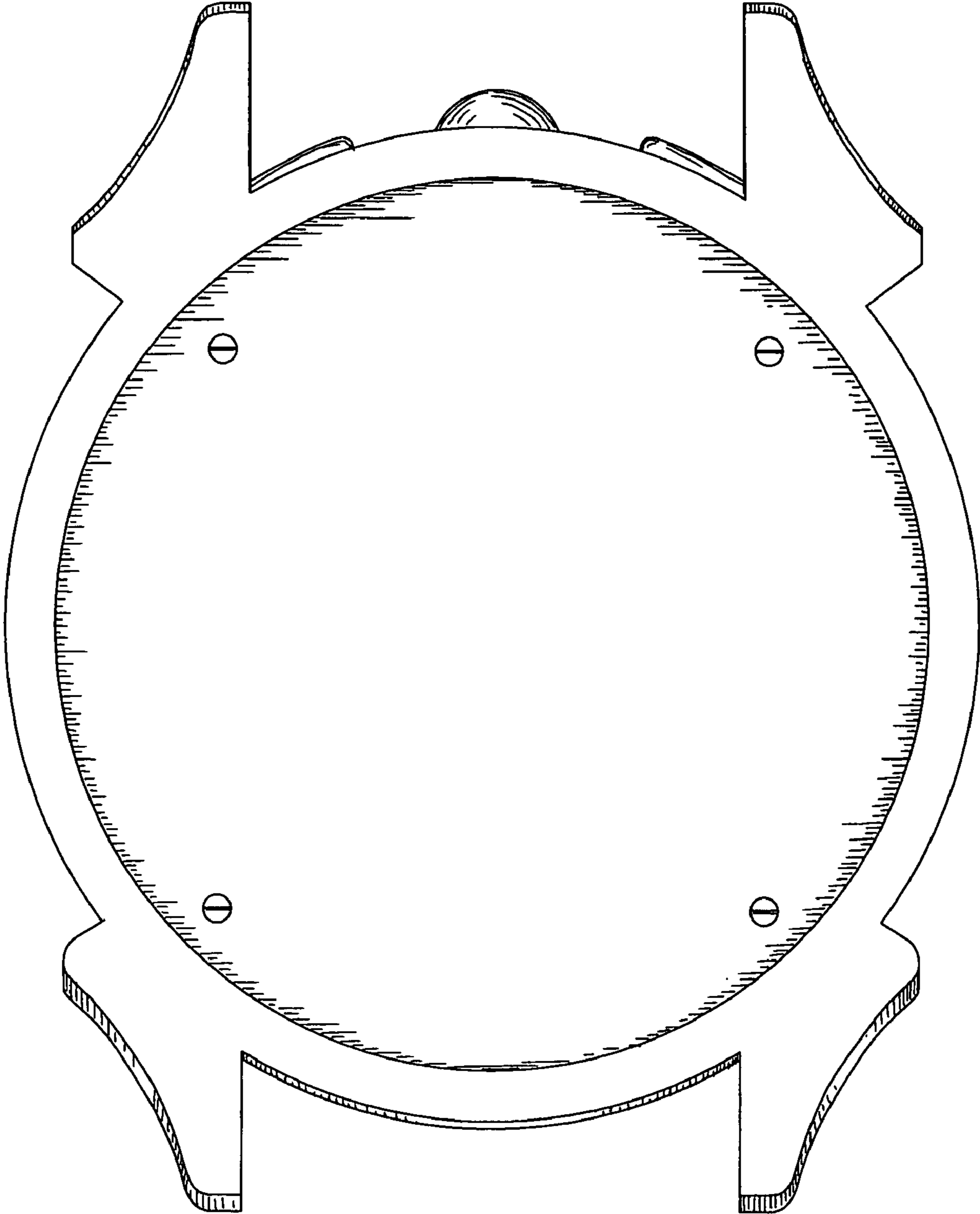


Fig. 4

Fig. 5

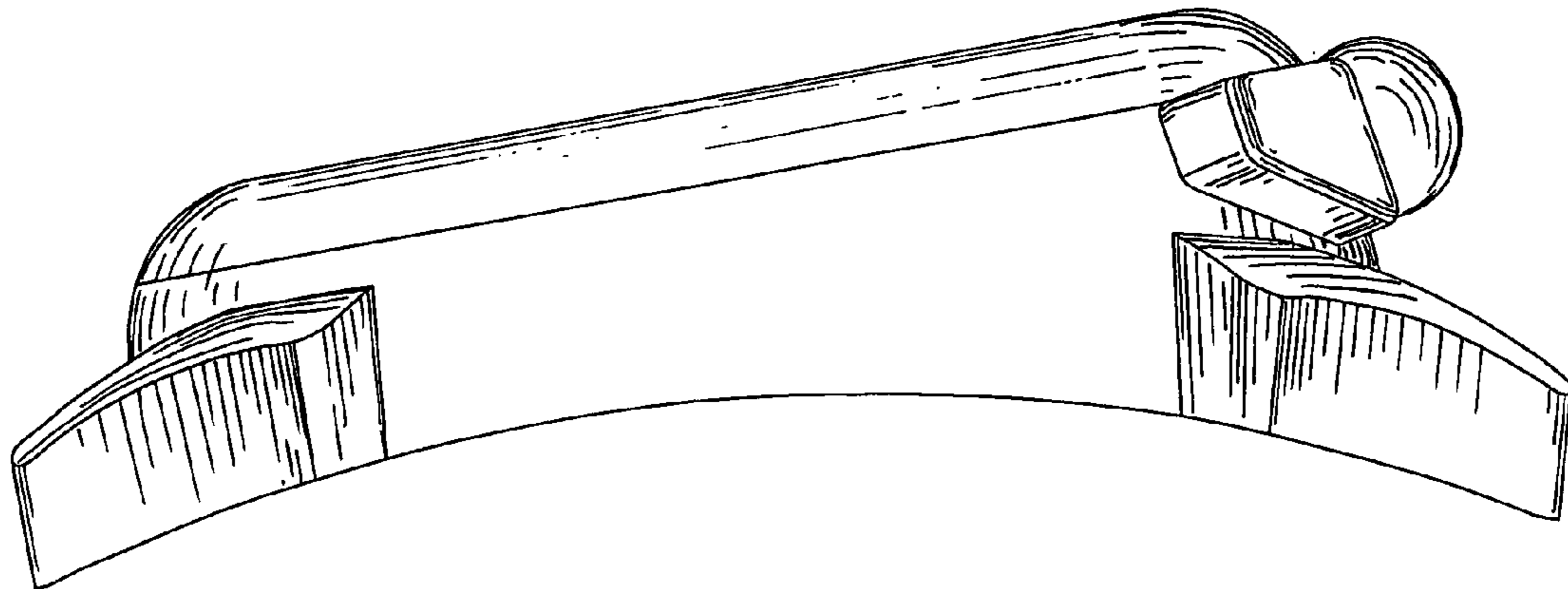


Fig. 6

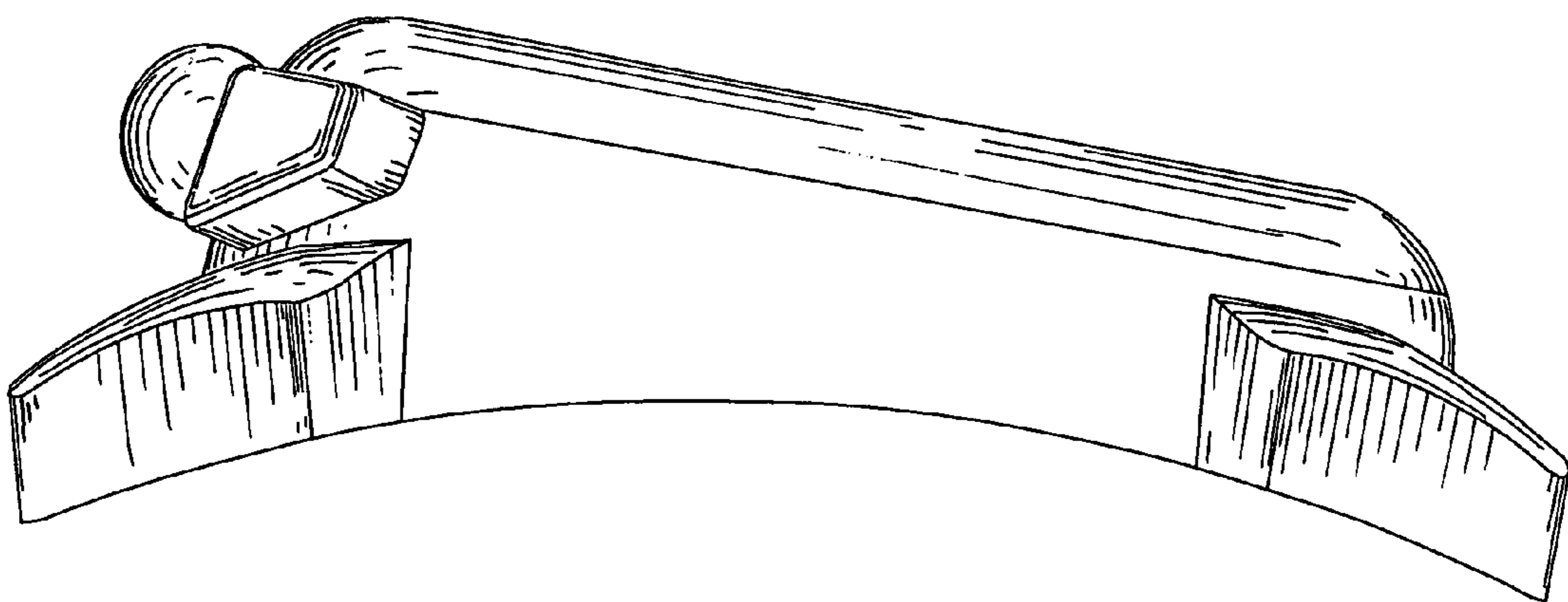


Fig. 7

