



US00D562144S

(12) **United States Design Patent**  
**Lane**

(10) **Patent No.:** **US D562,144 S**

(45) **Date of Patent:** **\*\* Feb. 19, 2008**

(54) **FOOD JAR**

(75) Inventor: **Marvin Lane**, Round Lake Beach, IL  
(US)

(73) Assignee: **Thermos L.L.C.**, Rolling Meadows, IL  
(US)

(\*\*) Term: **14 Years**

(21) Appl. No.: **29/268,539**

(22) Filed: **Nov. 8, 2006**

(51) **LOC (8) Cl.** ..... **09-01**

(52) **U.S. Cl.** ..... **D9/556**

(58) **Field of Classification Search** ..... D9/500,  
D9/502-504, 519, 529, 549, 557-558, 682,  
D9/686-691, 694, 900; D28/76, 78, 91,  
D28/91.1; 220/660-662, 669, 675; 215/379-383;  
D24/222-224

See application file for complete search history.

(56) **References Cited**

**U.S. PATENT DOCUMENTS**

- D303,584 S \* 9/1989 Bakic ..... D28/91
- D306,826 S \* 3/1990 Bormioli ..... D9/504
- D368,771 S \* 4/1996 Patel et al. .... D23/367
- D424,719 S \* 5/2000 Freeman ..... D26/20

- D462,617 S \* 9/2002 Rutter et al. .... D9/529
- D541,176 S \* 4/2007 Bried ..... D9/780
- D543,458 S \* 5/2007 Dittmer et al. .... D9/504
- D543,857 S \* 6/2007 Shu ..... D9/529

\* cited by examiner

*Primary Examiner*—Charles A. Rademaker

*Assistant Examiner*—Dana L Sipos

(74) *Attorney, Agent, or Firm*—Wood, Phillips, Katz, Clark  
& Mortimer

(57) **CLAIM**

The ornamental design of a food jar, as shown and described.

**DESCRIPTION**

FIG. 1 is a top, front perspective view of a food jar showing my new design;

FIG. 2 is a bottom perspective view thereof;

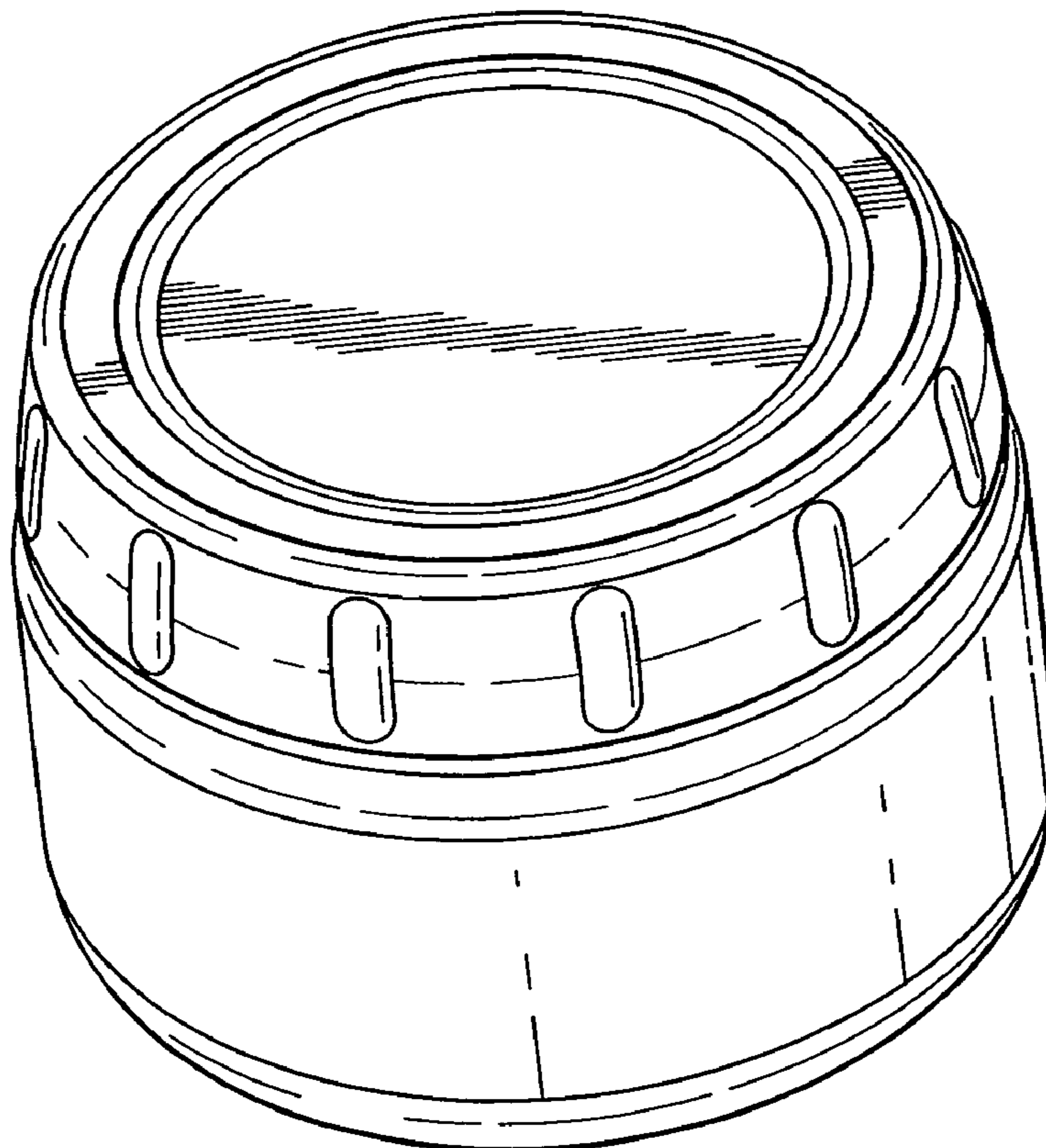
FIG. 3 is a front elevational view thereof, the left side, right side and rear elevational views being identical;

FIG. 4 is a top plan view thereof; and,

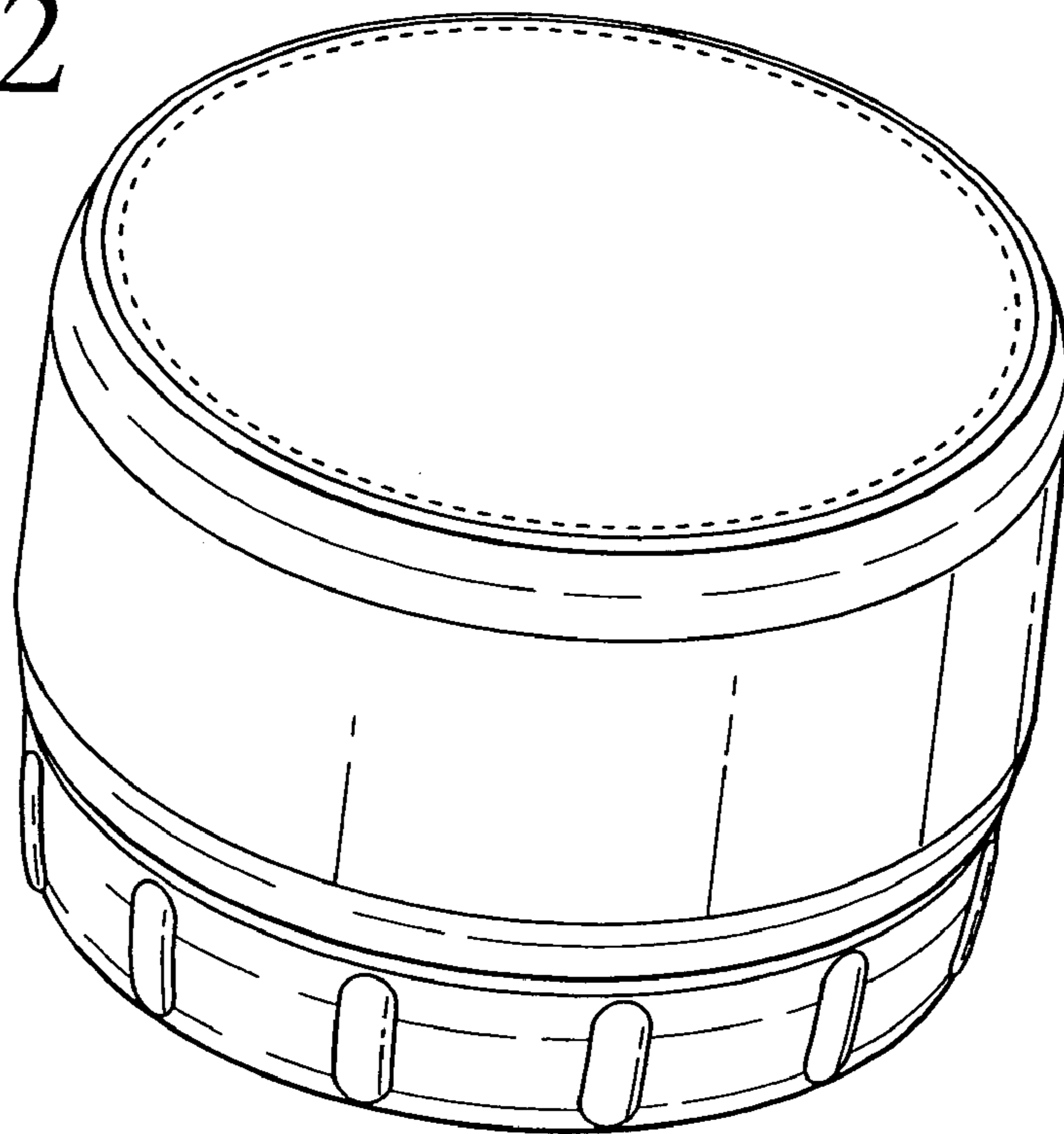
FIG. 5 is a bottom plan view thereof.

It is to be understood that the broken lines are for illustrative purposes only and form no part of the claimed design.

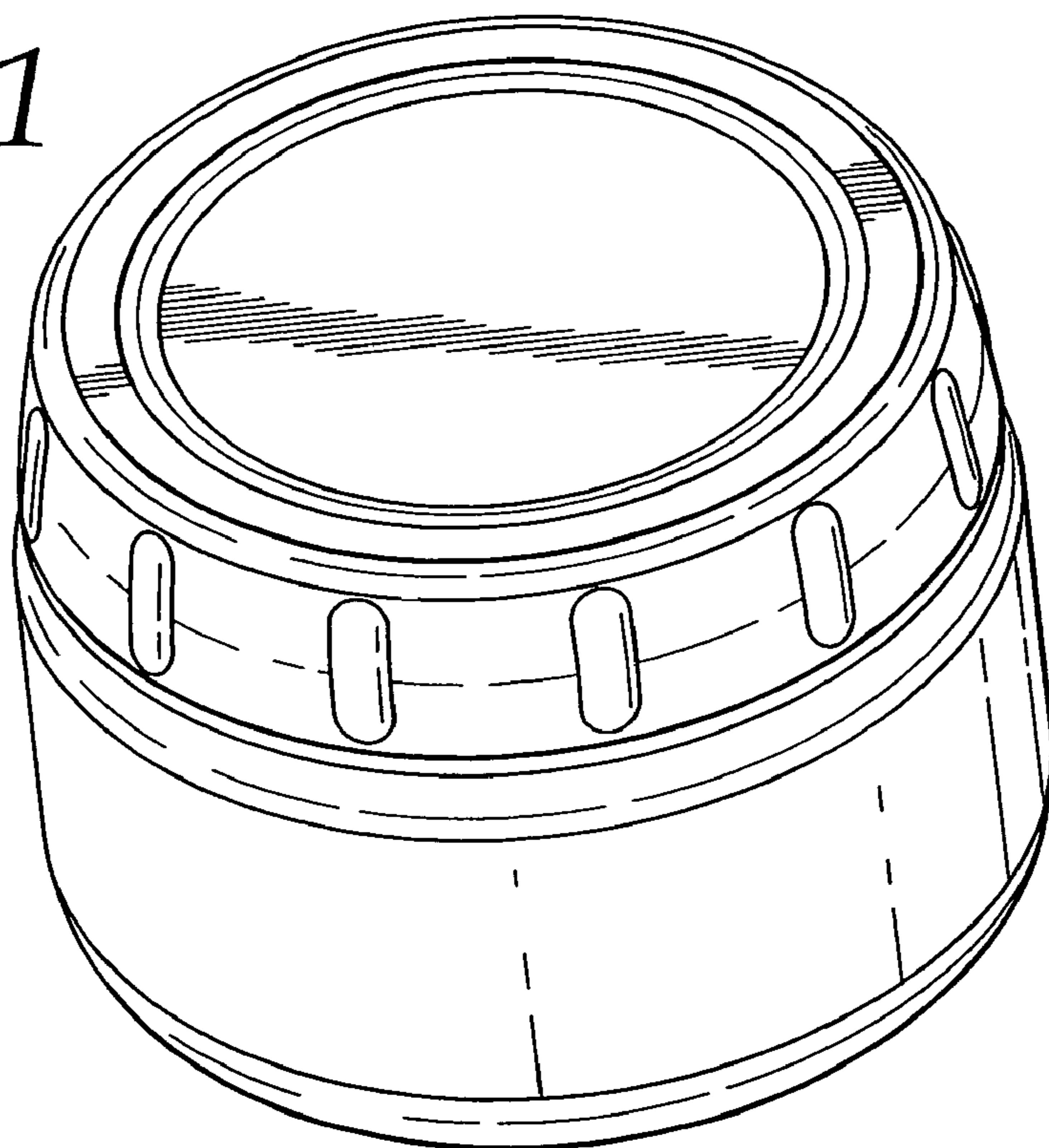
**1 Claim, 3 Drawing Sheets**



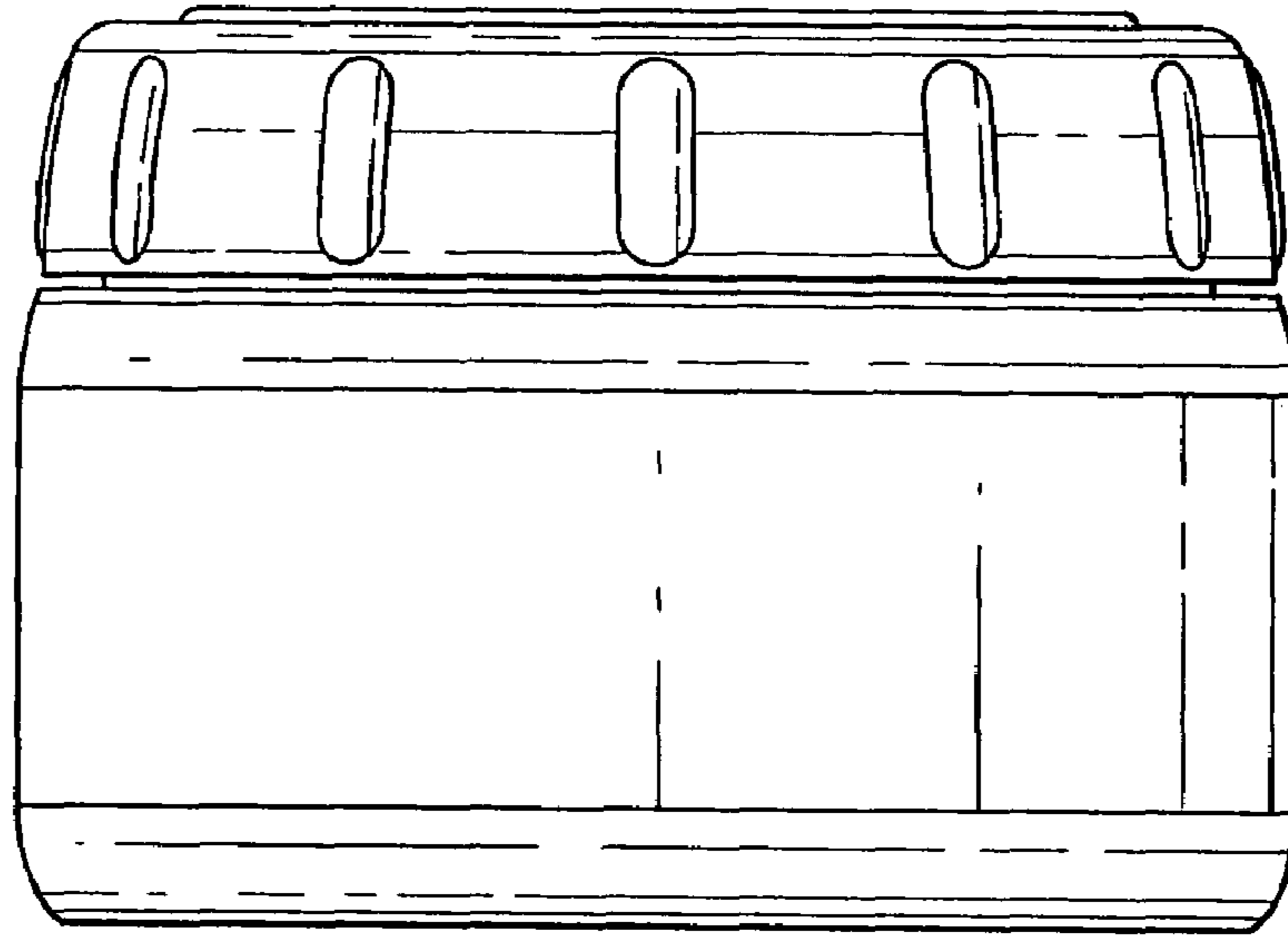
*Fig. 2*



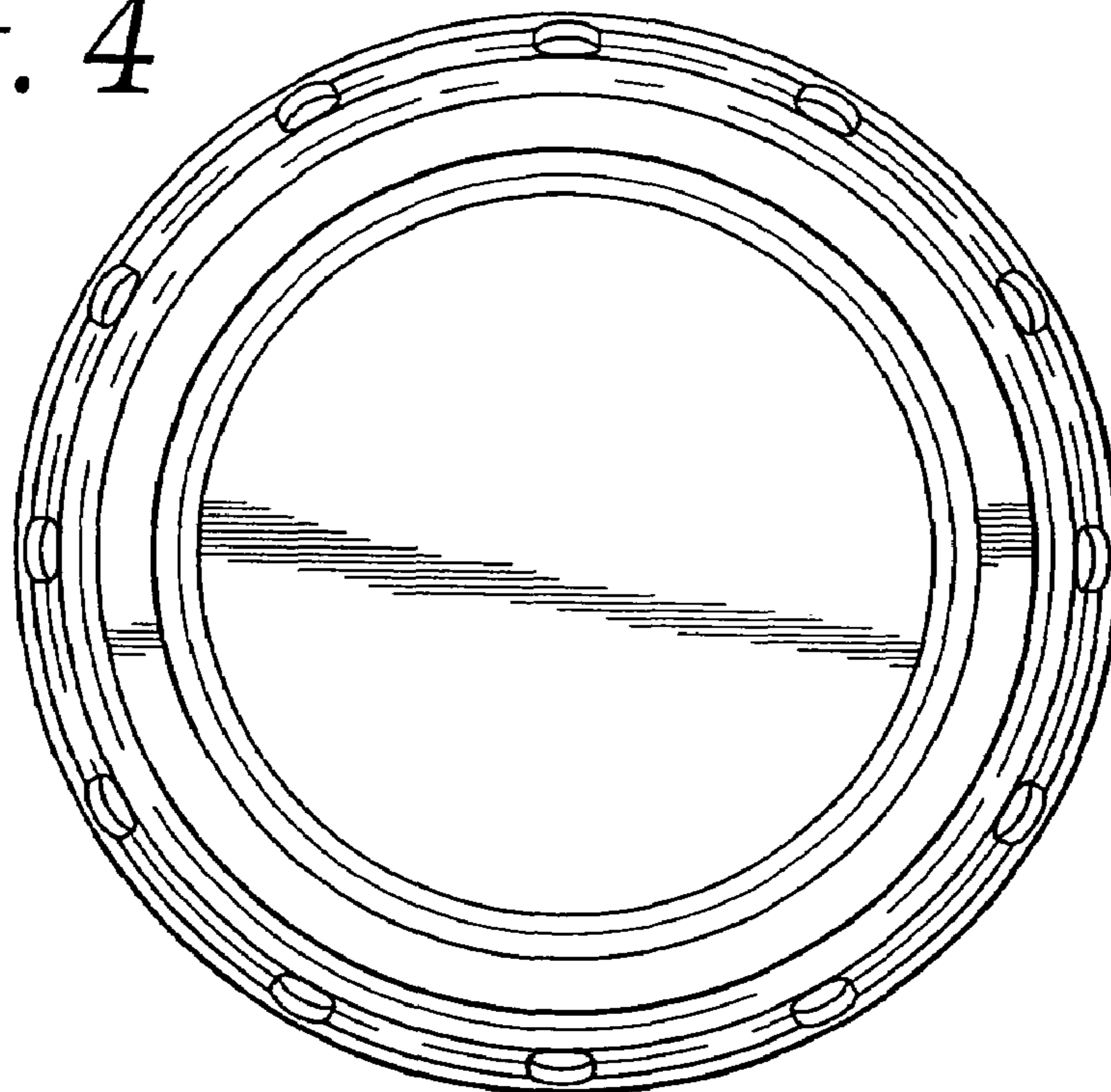
*Fig. 1*



*Fig. 3*



*Fig. 4*



*Fig. 5*

