

US00D562143S

(12) **United States Design Patent**  
**Didier**

(10) **Patent No.:** **US D562,143 S**

(45) **Date of Patent:** **\*\* \*Feb. 19, 2008**

(54) **BOTTLE**

(75) Inventor: **Rica Didier**, Le Mont Saint Adrien  
(FR)

(73) Assignee: **Saverglass Inc.**, New Rochelle, NY  
(US)

(\* ) Notice: This patent is subject to a terminal disclaimer.

(\*\*) Term: **14 Years**

(21) Appl. No.: **29/239,452**

(22) Filed: **Sep. 30, 2005**

(51) **LOC (8) Cl.** ..... **09-01**

(52) **U.S. Cl.** ..... **D9/544; D9/573; D9/574**

(58) **Field of Classification Search** ..... D9/516,  
D9/530, 537, 539, 542, 544-545, 549, 558,  
D9/686-691, 694; 215/379, 381-382, 384;  
220/660, 662, 669-670

See application file for complete search history.

(56) **References Cited**

**U.S. PATENT DOCUMENTS**

D217,659 S \* 5/1970 Dinand ..... D9/574

D276,501 S \* 11/1984 Pardo ..... D9/571

D522,872 S \* 6/2006 Lascaux ..... D9/544

D524,658 S \* 7/2006 Varlet ..... D9/544

\* cited by examiner

*Primary Examiner*—Ian Simmons

*Assistant Examiner*—Dana L Sipos

(74) *Attorney, Agent, or Firm*—Young & Thompson

(57) **CLAIM**

The ornamental design for a bottle, as shown and described.

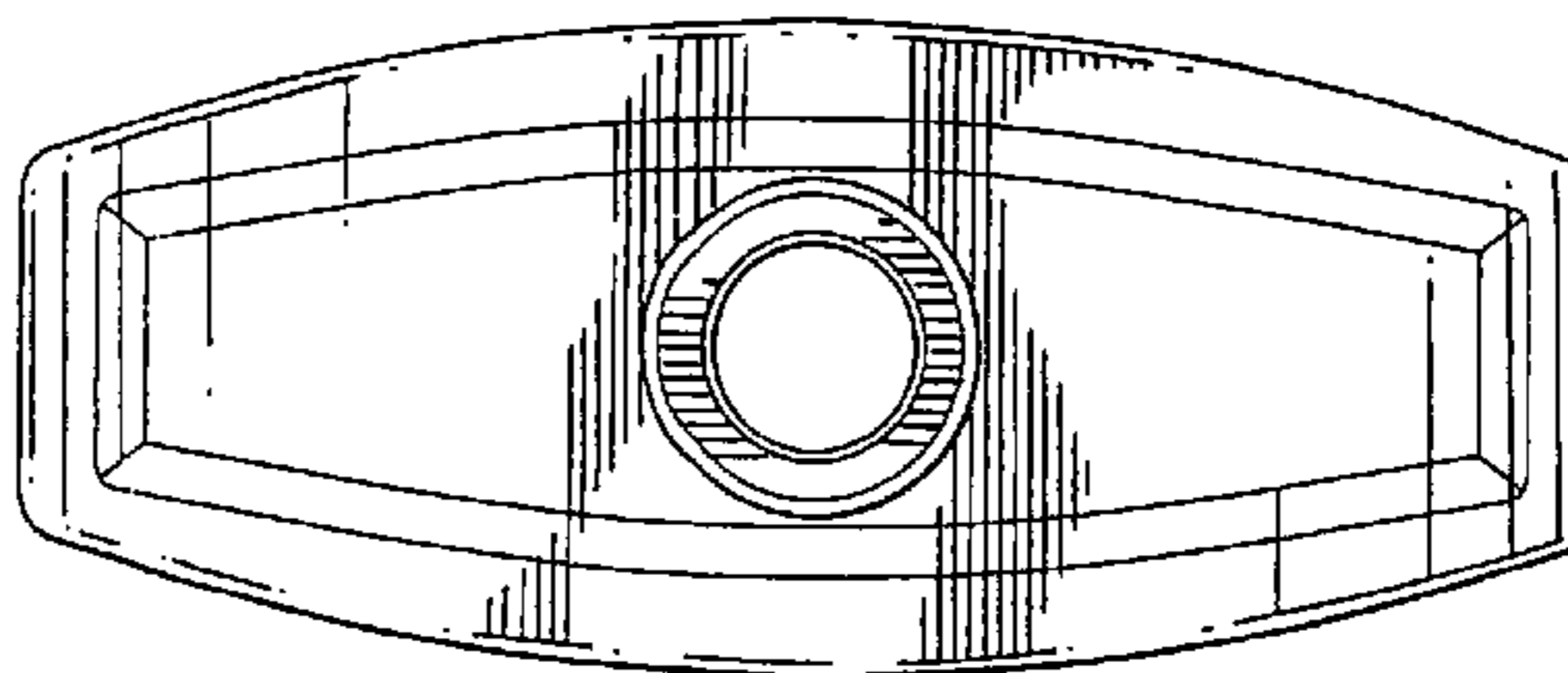
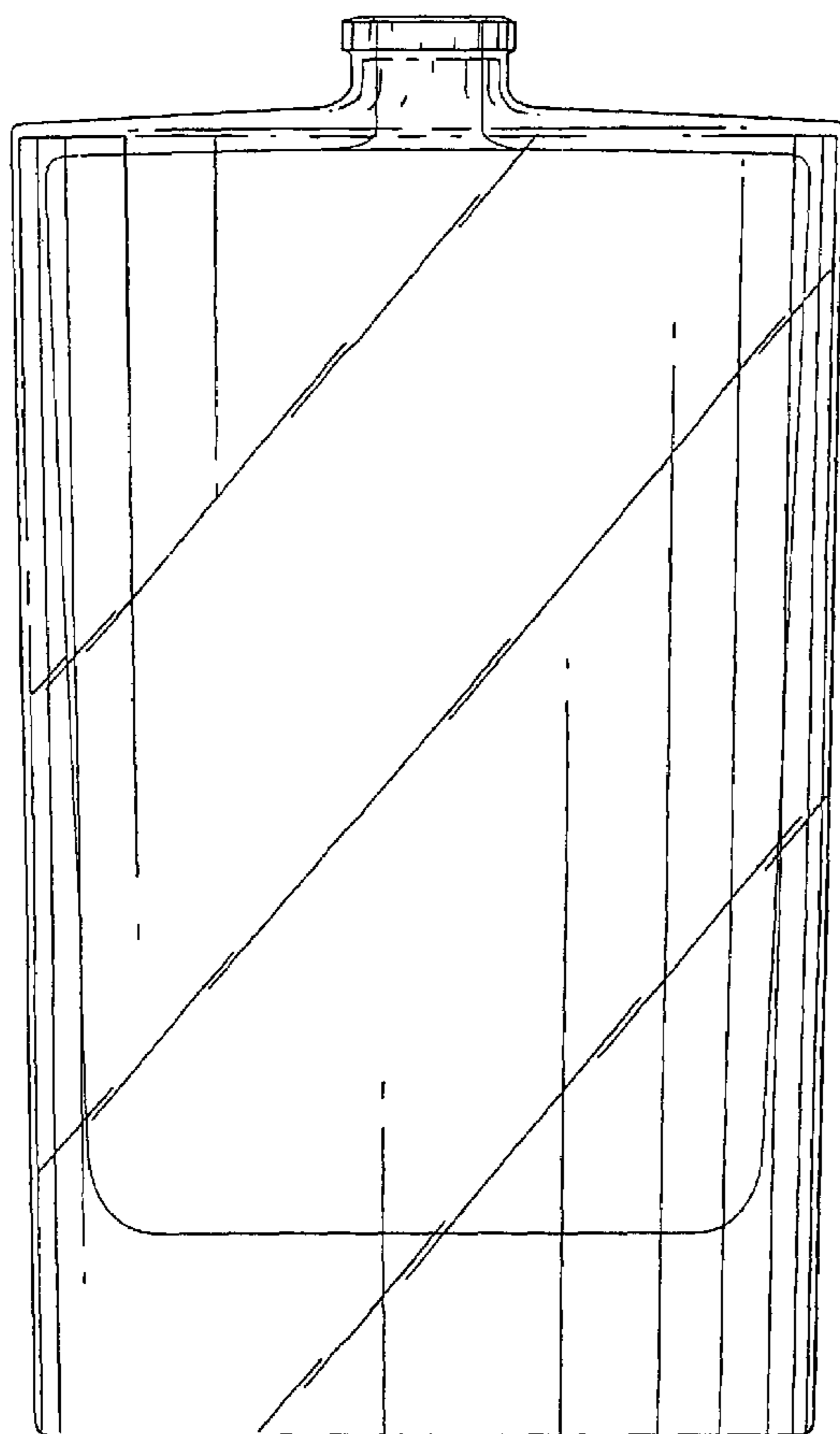
**DESCRIPTION**

FIG. 1 is a front elevational view of a bottle showing my new design, the rear elevational view being identical;

FIG. 2 is a right side elevational view thereof, the left side elevational view being identical; and,

FIG. 3 is a top plan view thereof.

**1 Claim, 3 Drawing Sheets**



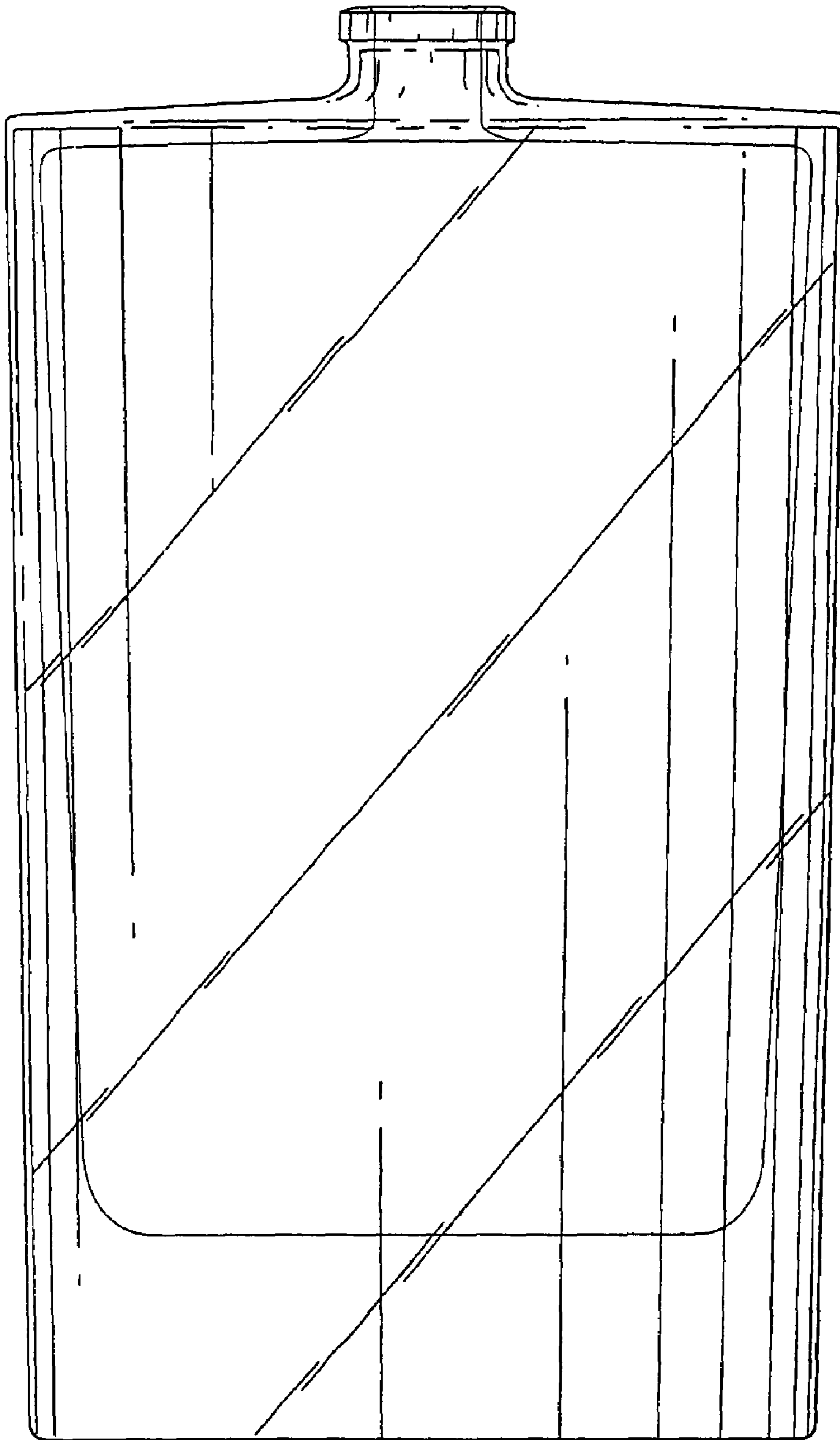


FIG. 1

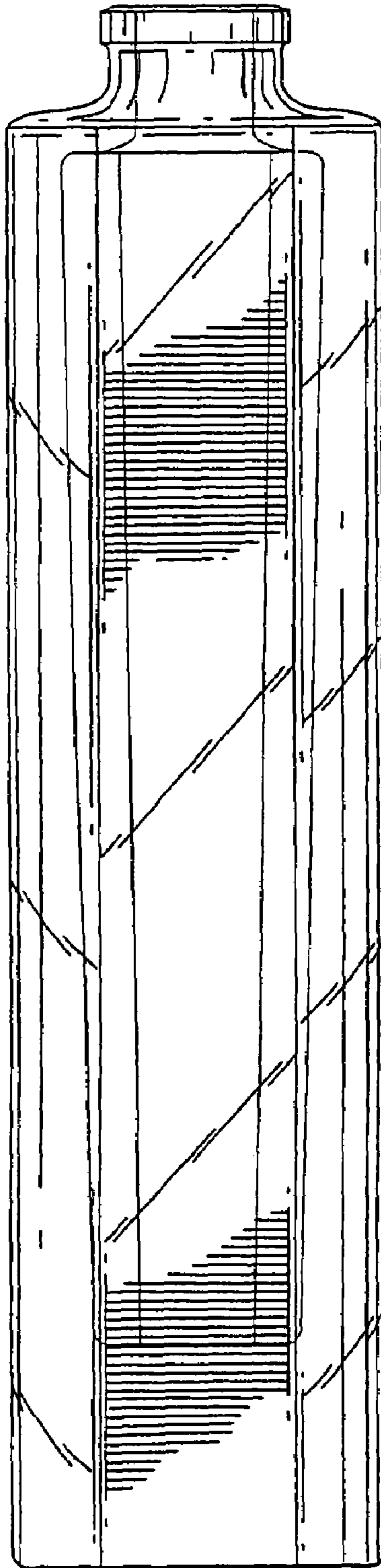


FIG. 2

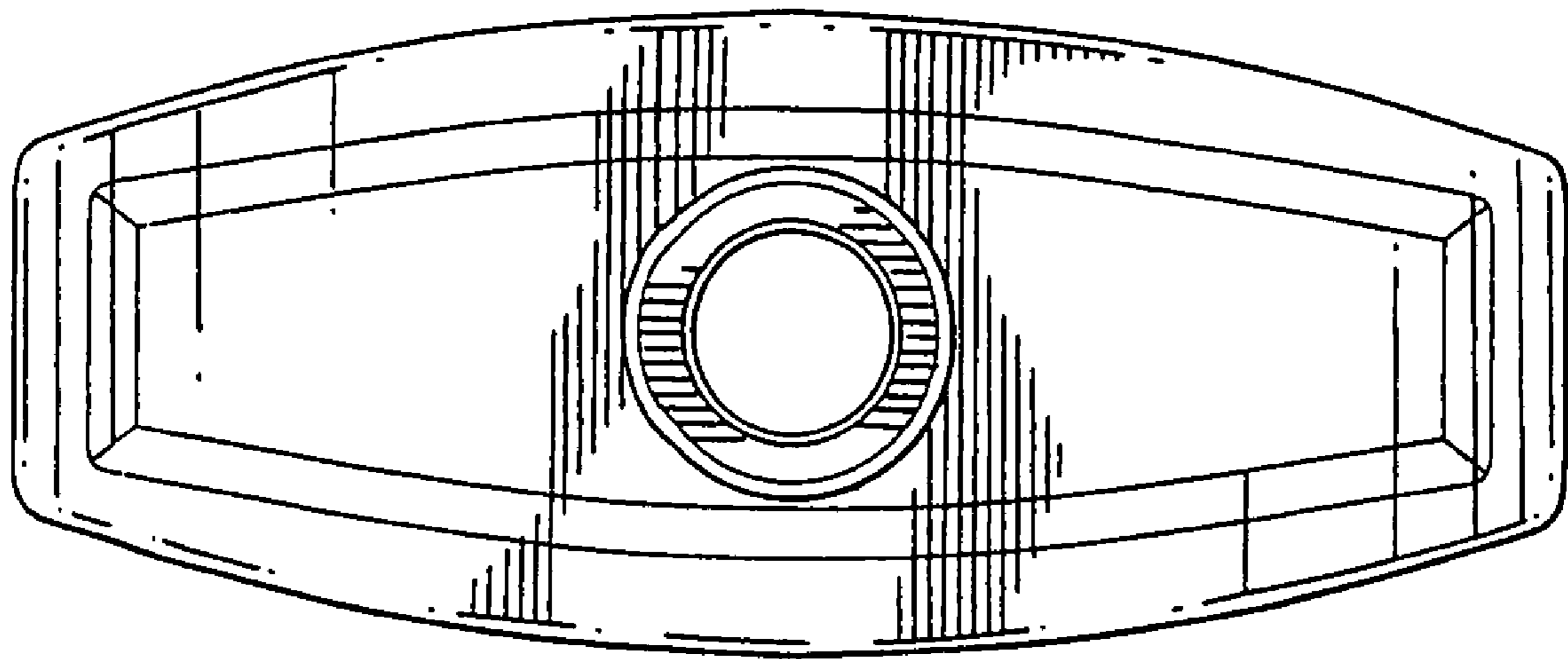


FIG. 3