



US00D562137S

(12) **United States Design Patent**
Florio

(10) **Patent No.:** **US D562,137 S**

(45) **Date of Patent:** **** Feb. 19, 2008**

(54) **CONTAINER**

(75) Inventor: **Lynne M. Florio**, New York, NY (US)

(73) Assignee: **La Prairie, Inc.**, New York, NY (US)

(**) Term: **14 Years**

(21) Appl. No.: **29/266,269**

(22) Filed: **Sep. 18, 2006**

(51) **LOC (8) Cl.** **09-01**

(52) **U.S. Cl.** **D9/502; D28/89**

(58) **Field of Classification Search** D9/500,
D9/502-504, 519, 529, 549, 557-558, 682,
D9/686-691, 694, 900; D28/76, 78, 91,
D28/91.1; 220/660-662, 669, 675; 215/379-383;
D24/222-224

See application file for complete search history.

(56) **References Cited**

U.S. PATENT DOCUMENTS

D196,413 S *	9/1963	McCormick	D28/89
D230,011 S *	1/1974	Cohen	D9/504
D252,445 S *	7/1979	Rhodes	D9/504
D281,054 S *	10/1985	Menrad	D9/688
D424,719 S *	5/2000	Freeman	D26/20

D434,221 S * 11/2000 Chao D3/265

* cited by examiner

Primary Examiner—Charles A. Rademaker

Assistant Examiner—Dana L Sipos

(74) *Attorney, Agent, or Firm*—Sonnenschein Nath & Rosenthal LLP

(57) **CLAIM**

The ornamental design for a container, as shown and described

DESCRIPTION

FIG. 1 is a perspective of a container of the present invention;

FIG. 2 is a front elevation of the container, the rear elevation being identical to the front elevation;

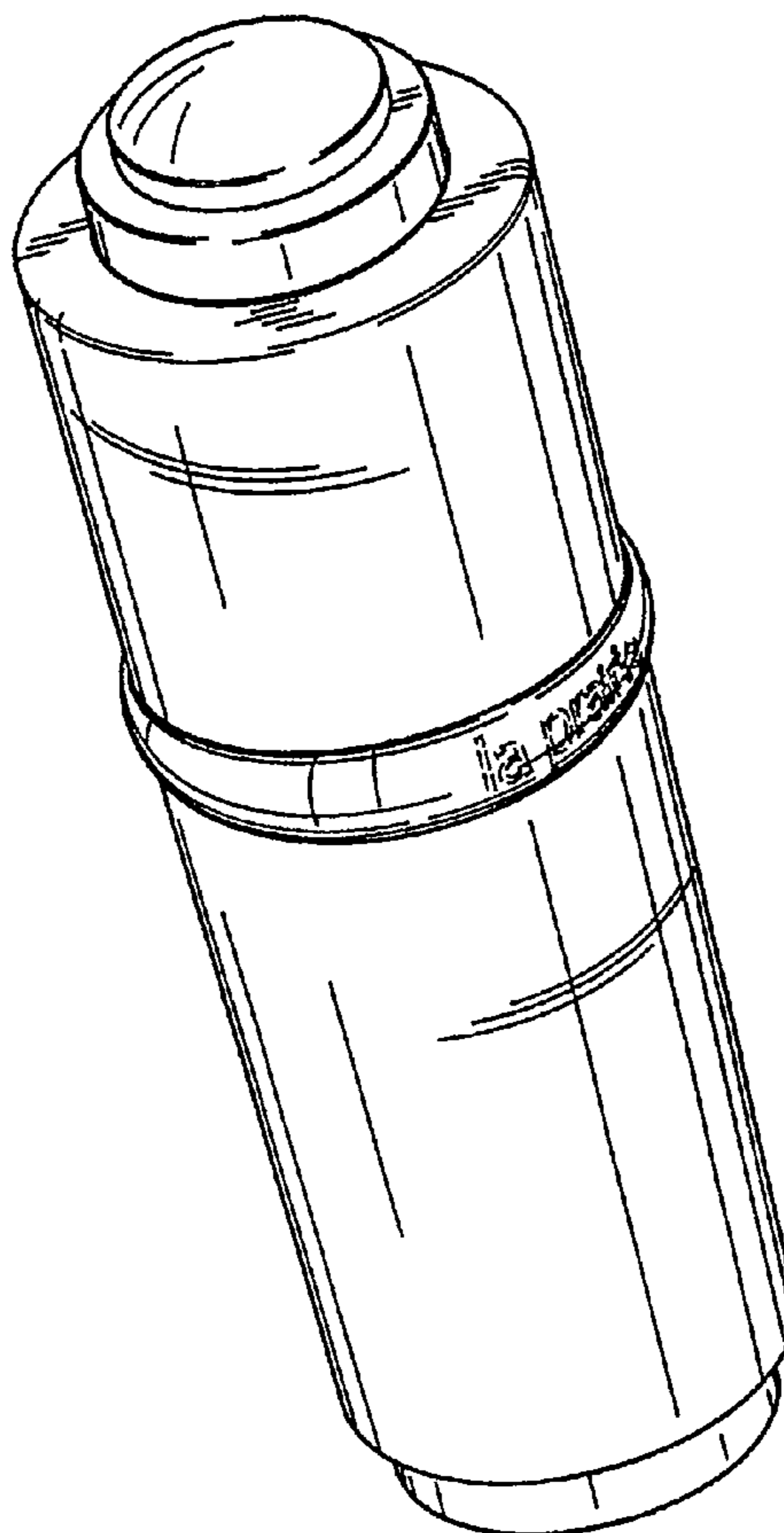
FIG. 3 is a right side elevation of the container, the left side elevation being identical to the right side elevation;

FIG. 4 is a top plan of the container; and,

FIG. 5 is bottom plan of the container.

The broken lines shown in the drawings are for illustrative purposes only and form no part of the claimed design.

1 Claim, 2 Drawing Sheets



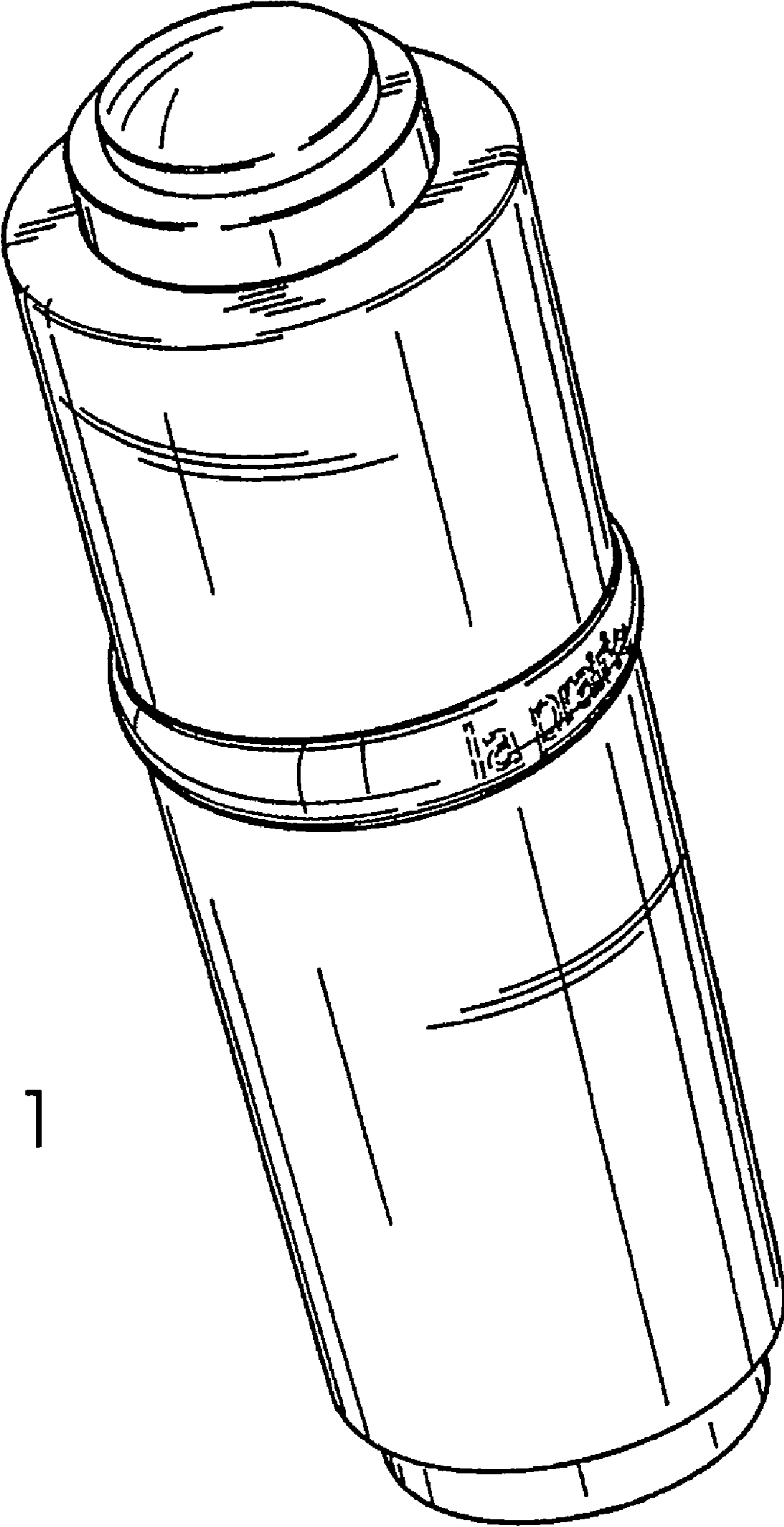


FIG. 1

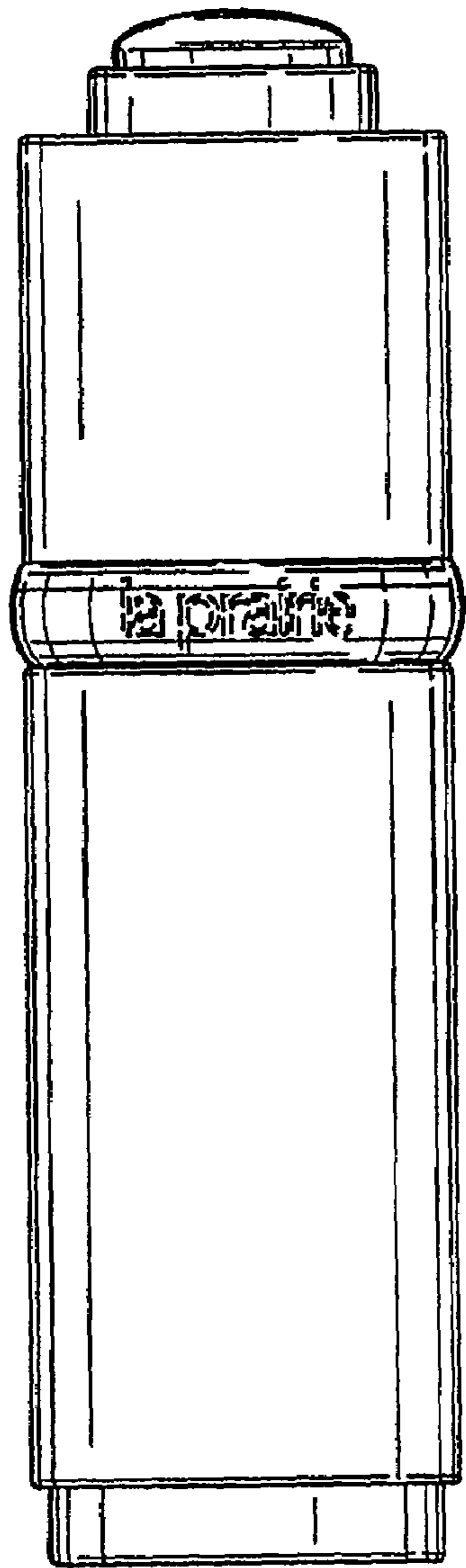


FIG. 2

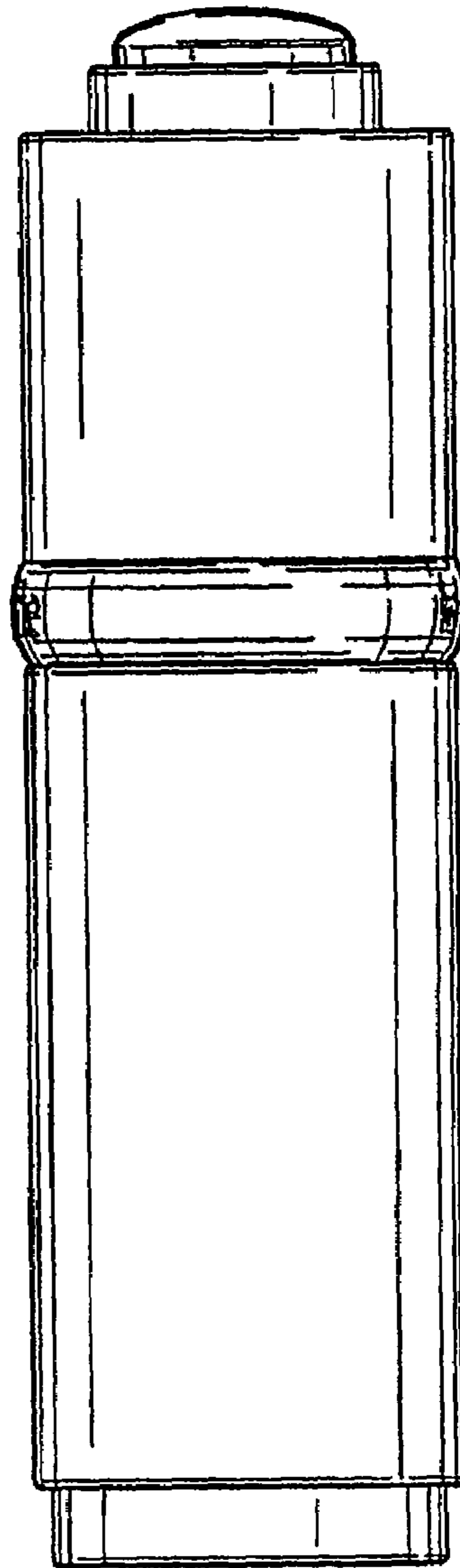


FIG. 3

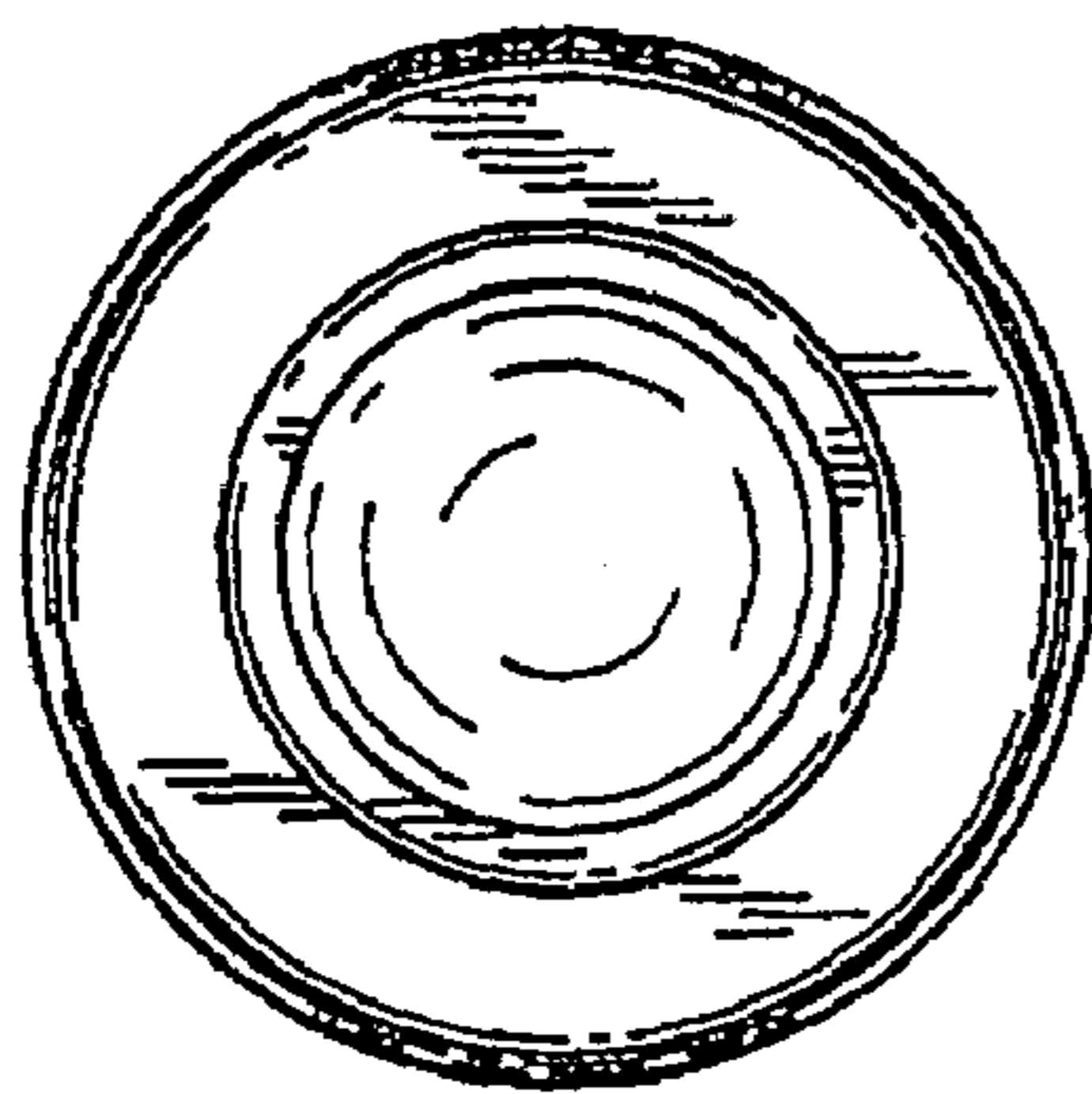


FIG. 4

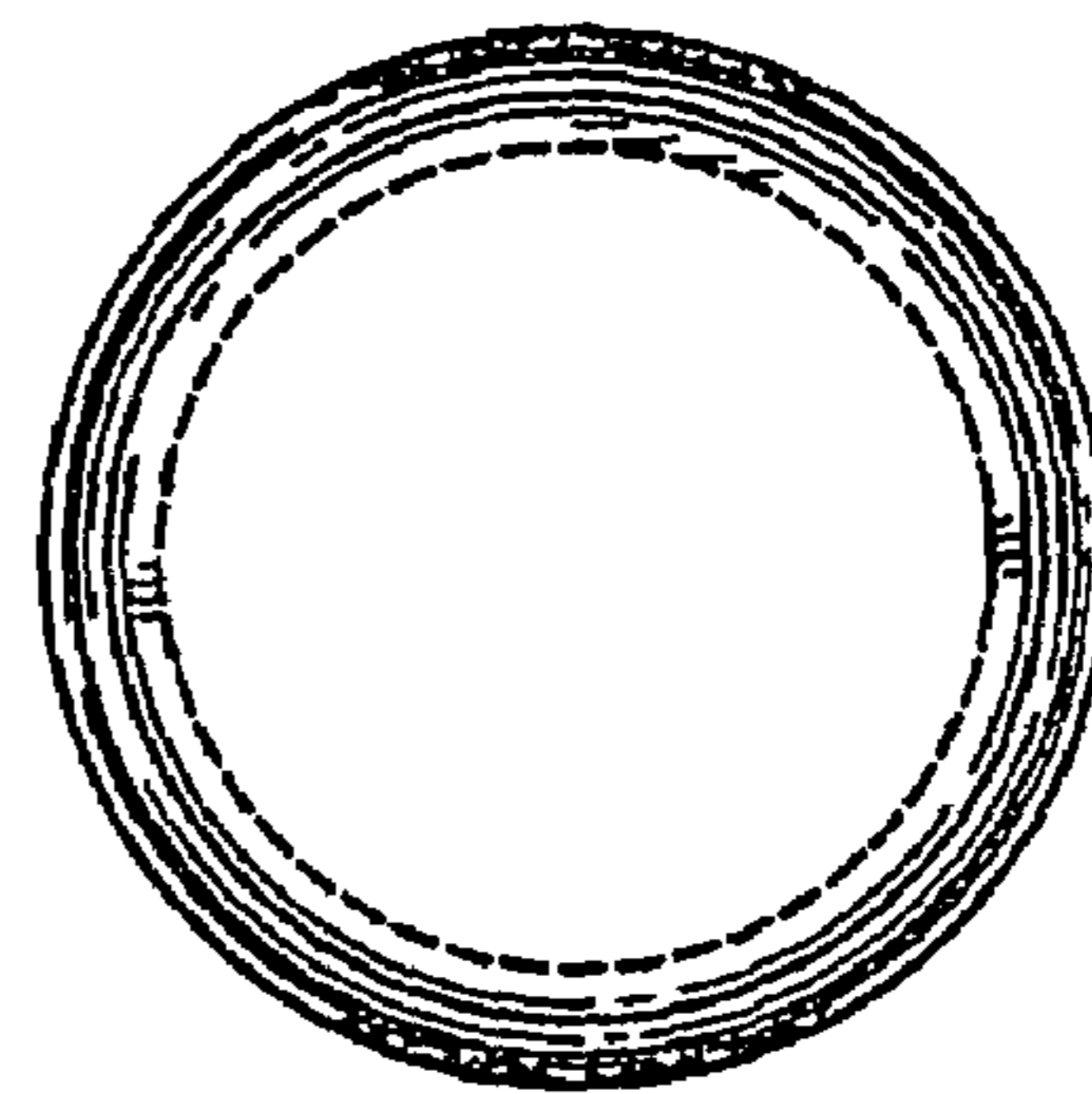


FIG. 5