



US00D562136S

(12) **United States Design Patent**
Bernstein

(10) **Patent No.:** **US D562,136 S**

(45) **Date of Patent:** **** Feb. 19, 2008**

(54) **DECLINED DISPENSING PLATFORM**

(76) Inventor: **David Bernstein**, 2563 Greyfield Ct.,
Marietta, GA (US) 30062

(**) Term: **14 Years**

(21) Appl. No.: **29/292,335**

(22) Filed: **Oct. 9, 2007**

(51) **LOC (8) Cl.** **09-07**

(52) **U.S. Cl.** **D9/455**

(58) **Field of Classification Search** D9/337,
D9/341, 414, 415, 418, 420, 421, 422, 423,
D9/424, 432, 455; D19/75; D3/201, 203,
D3/301, 901; D18/56; 221/6, 42, 44; D32/53.1;
206/366, 368, 369, 370, 528, 529, 540, 555,
206/807, 828; 312/45, 209; 414/795.6;
211/59.2, 59.3; 358/302; 229/44; 244/158 R;
220/345.1, 345.2, 345.3, 345.4, 351, 812;
D23/200, 202, 907

See application file for complete search history.

(56) **References Cited**

U.S. PATENT DOCUMENTS

3,915,526	A *	10/1975	Weiman	312/209
4,323,168	A *	4/1982	Callahan	221/42
4,674,635	A *	6/1987	Huldin et al.	206/555
4,744,489	A *	5/1988	Binder et al.	221/6
4,848,584	A *	7/1989	Windorski	206/565
5,322,186	A *	6/1994	Frazier et al.	221/44

5,674,047	A *	10/1997	Lapeus et al.	414/795.6
D400,436	S *	11/1998	Stein	D9/415
D406,756	S *	3/1999	Garganese	D9/418
D453,182	S *	1/2002	Shinano	D18/56
6,409,027	B1 *	6/2002	Chang et al.	211/59.3
D484,542	S *	12/2003	Hassell	D19/75
D485,749	S *	1/2004	Zaksenberg et al.	D9/424
D501,401	S *	2/2005	Shurman	D9/422
D549,452	S *	8/2007	Janky et al.	D3/301
D553,817	S *	10/2007	Moon et al.	D32/53.1
2002/0075517	A1 *	6/2002	Haining	358/302

* cited by examiner

Primary Examiner—T. Chase Nelson

Assistant Examiner—Barbara B Lohr

(57) **CLAIM**

The ornamental design for a declined dispensing platform,
as shown.

DESCRIPTION

FIG. 1 is a front perspective view of a declined dispensing
platform showing my new design;

FIG. 2 is a right side view thereof;

FIG. 3 is a top view thereof;

FIG. 4 is a bottom view thereof;

FIG. 5 is a front view thereof; and,

FIG. 6 is a rear view thereof.

1 Claim, 3 Drawing Sheets

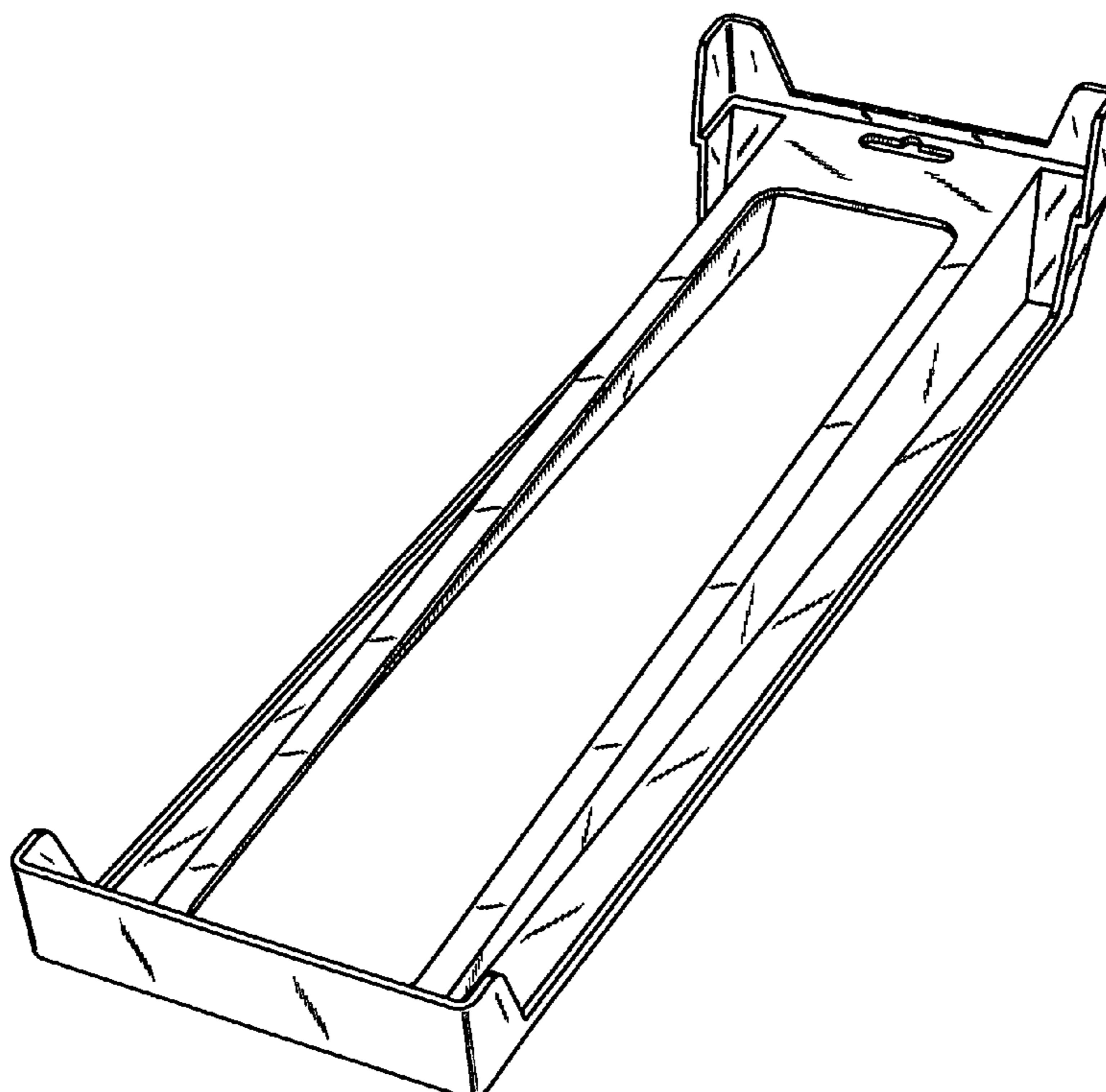


FIG. 1

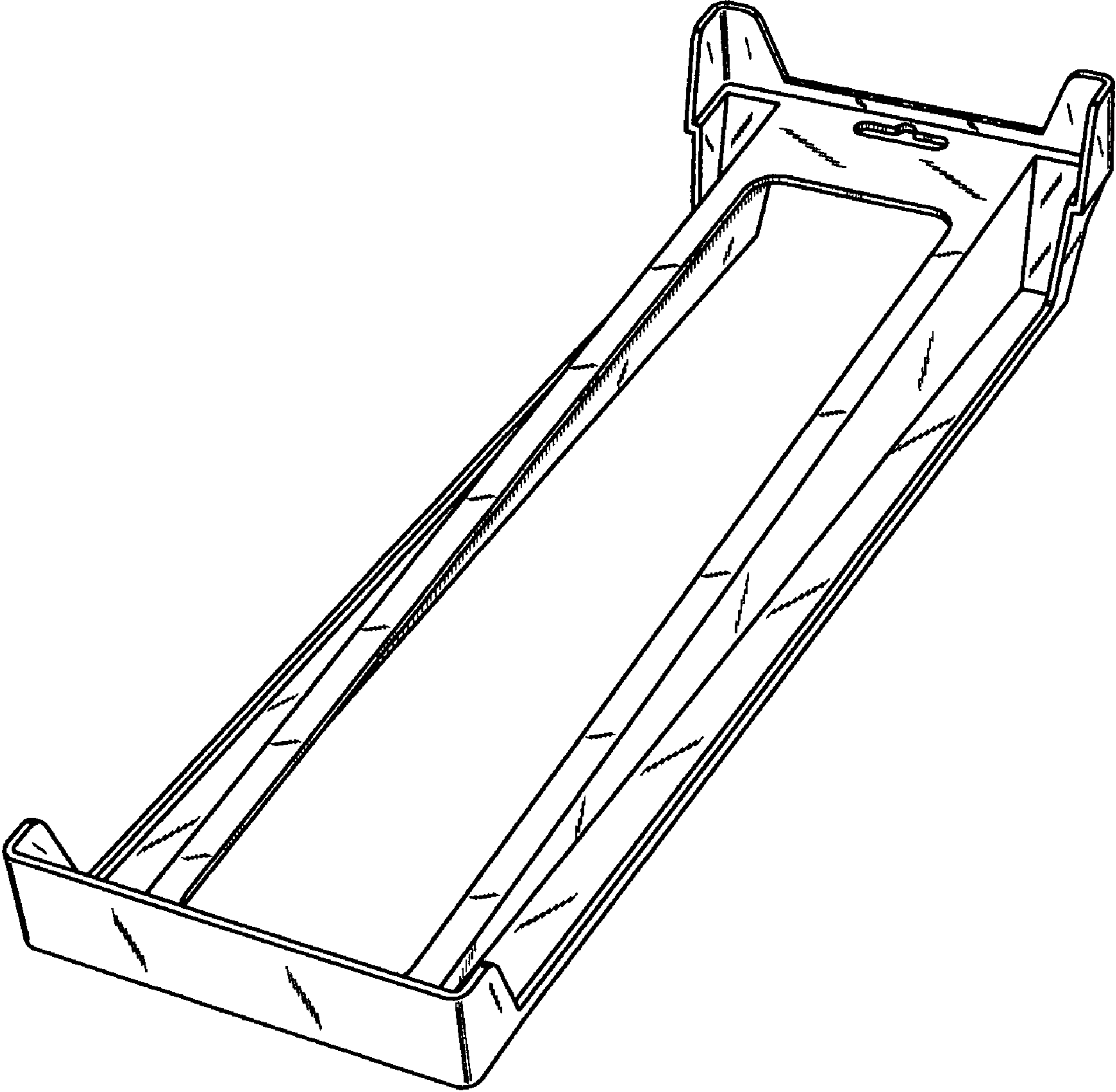


FIG. 2

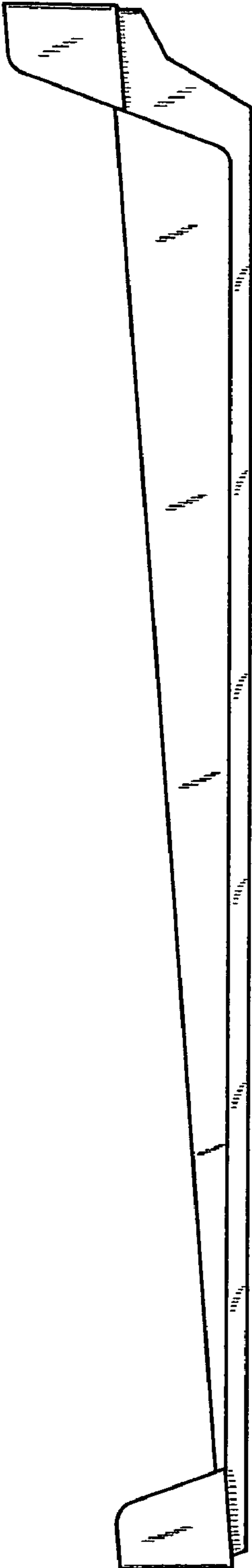


FIG. 3

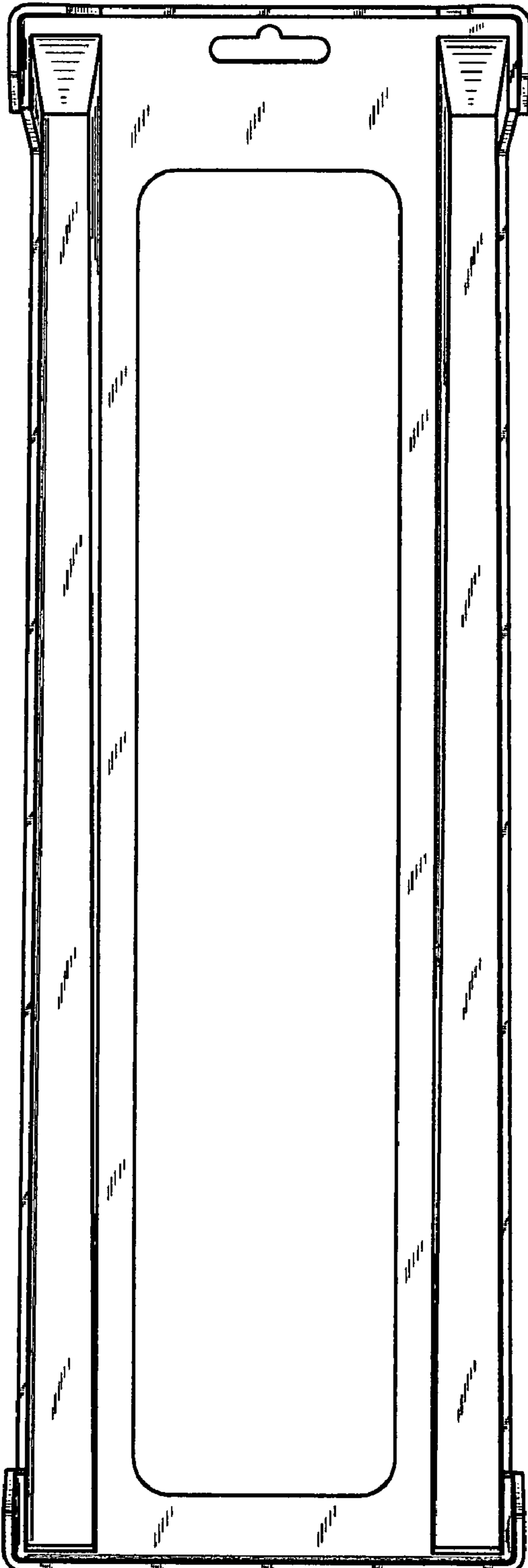


FIG. 4

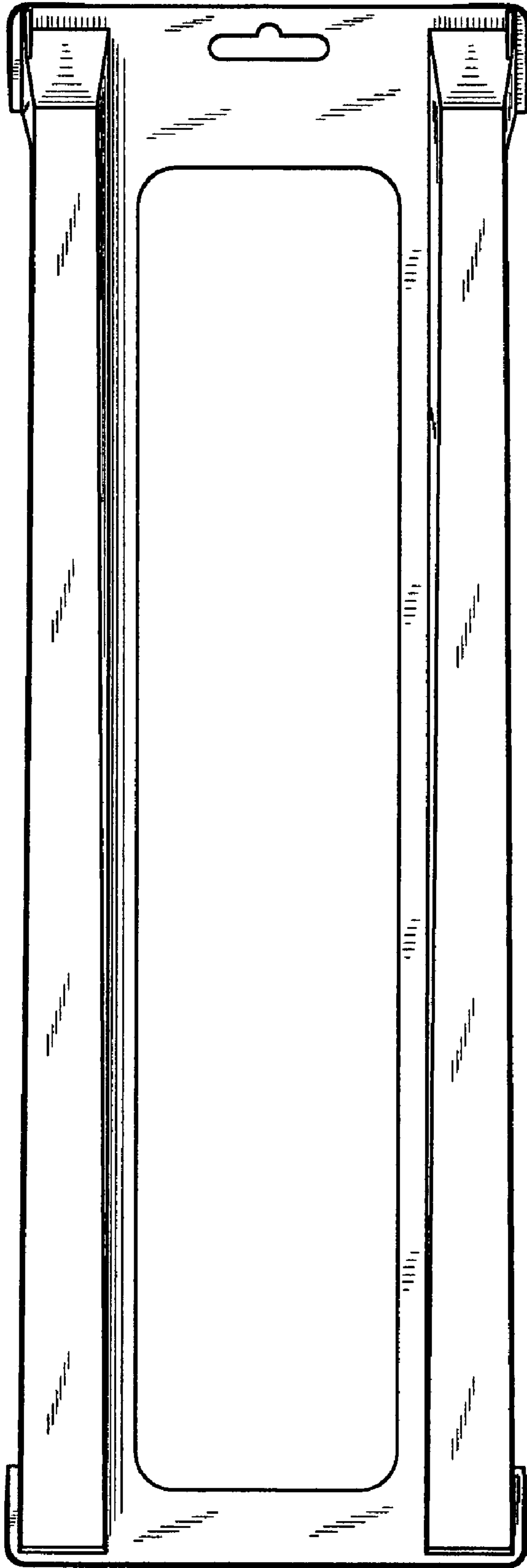


FIG. 5

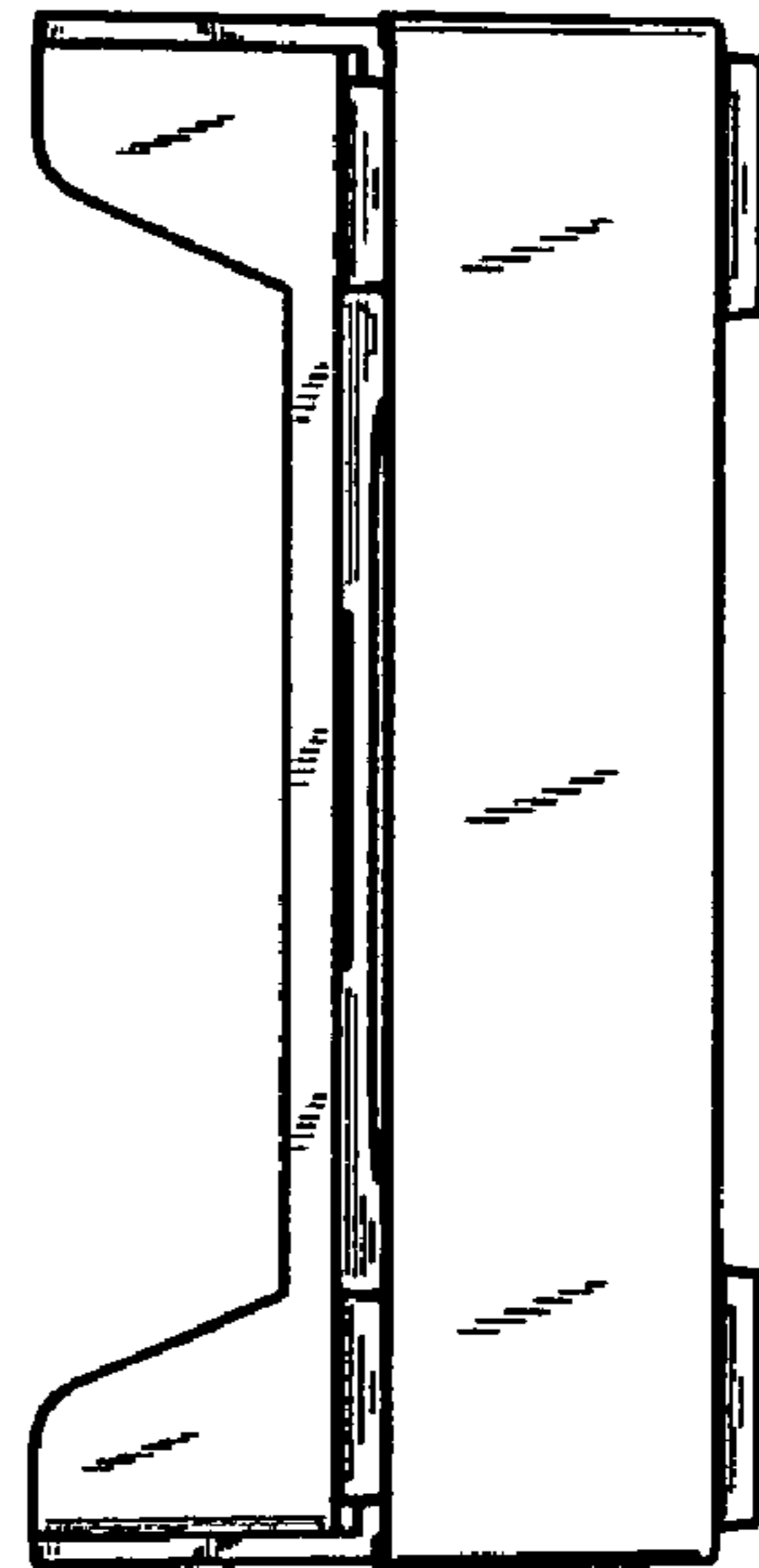


FIG. 6

