



US00D562133S

(12) **United States Design Patent** (10) **Patent No.:** **US D562,133 S**
Liebe et al. (45) **Date of Patent:** **** Feb. 19, 2008**

(54) **ROTARY CLOSURE LID**

(76) Inventors: **Thomas Liebe**, Wylergasse 26, Thun (CH) 3608; **Artur Wichowski**, Kernstrasse 10, Oberwil (CH) 4104

(**) Term: **14 Years**

(21) Appl. No.: **29/250,933**

(22) Filed: **Dec. 6, 2006**

(30) **Foreign Application Priority Data**

Jul. 12, 2006 (EM) 000558762-0001
Jul. 12, 2006 (EM) 000558762-0002
Jul. 12, 2006 (EM) 000558762-0003

(51) **LOC (8) Cl.** **09-07**

(52) **U.S. Cl.** **D9/449; D9/454**

(58) **Field of Classification Search** D9/454, D9/450, 449, 447, 446, 428, 435, 423, 421, D9/420, 422, 426; D7/900, 401.1, 396.1, D7/392; 229/207; D6/518; D34/11, 7, D34/13; D3/323; 222/480, 256; 220/812, 220/810, 480, 345.1, 256.1, 253, 213; 215/322, 215/306, 236, 235

See application file for complete search history.

(56) **References Cited**

U.S. PATENT DOCUMENTS

D155,559 S 10/1949 Tillmann
D198,512 S 6/1964 Burdick et al.
D214,019 S 5/1969 Newman
3,504,821 A 4/1970 Wolbers
D240,686 S * 7/1976 Tretter D7/392
5,072,849 A * 12/1991 Blau 220/253
D358,986 S 6/1995 Heyl et al.
D359,448 S 6/1995 Aronson
D373,954 S 9/1996 Wolff
D399,603 S 10/1998 Hemsley et al.
6,089,397 A * 7/2000 Van Melle 220/270

D444,670 S * 7/2001 Demers D7/401.1
D475,618 S 6/2003 Barnes et al.
D480,303 S 10/2003 Tompkins
D484,408 S 12/2003 Anderson
D486,734 S * 2/2004 Weber D7/392
D524,153 S 7/2006 Reinhard
D527,627 S * 9/2006 Liebe D9/428
7,159,732 B2 * 1/2007 Smith et al. 220/253
D544,167 S * 6/2007 Dukic D34/3
D546,670 S * 7/2007 Sainz D9/420
2006/0163251 A1 * 7/2006 Kelstrom et al. 220/253

* cited by examiner

Primary Examiner—Gary D. Watson

Assistant Examiner—Susan Bennett Hattan

(74) *Attorney, Agent, or Firm*—Gifford, Krass, Groh et al.

(57) **CLAIM**

The ornamental design for a rotary closure lid, as shown and described.

DESCRIPTION

FIG. 1 is a perspective view of an inventive rotary closure lid in a closed position with a vessel bottom depicted in broken lines and forming no part of the claimed design;

FIG. 2 is a perspective view of the inventive rotary closure lid depicted in FIG. 1 in an open position;

FIG. 3 is a front view of the inventive rotary closure lid depicted in FIG. 1;

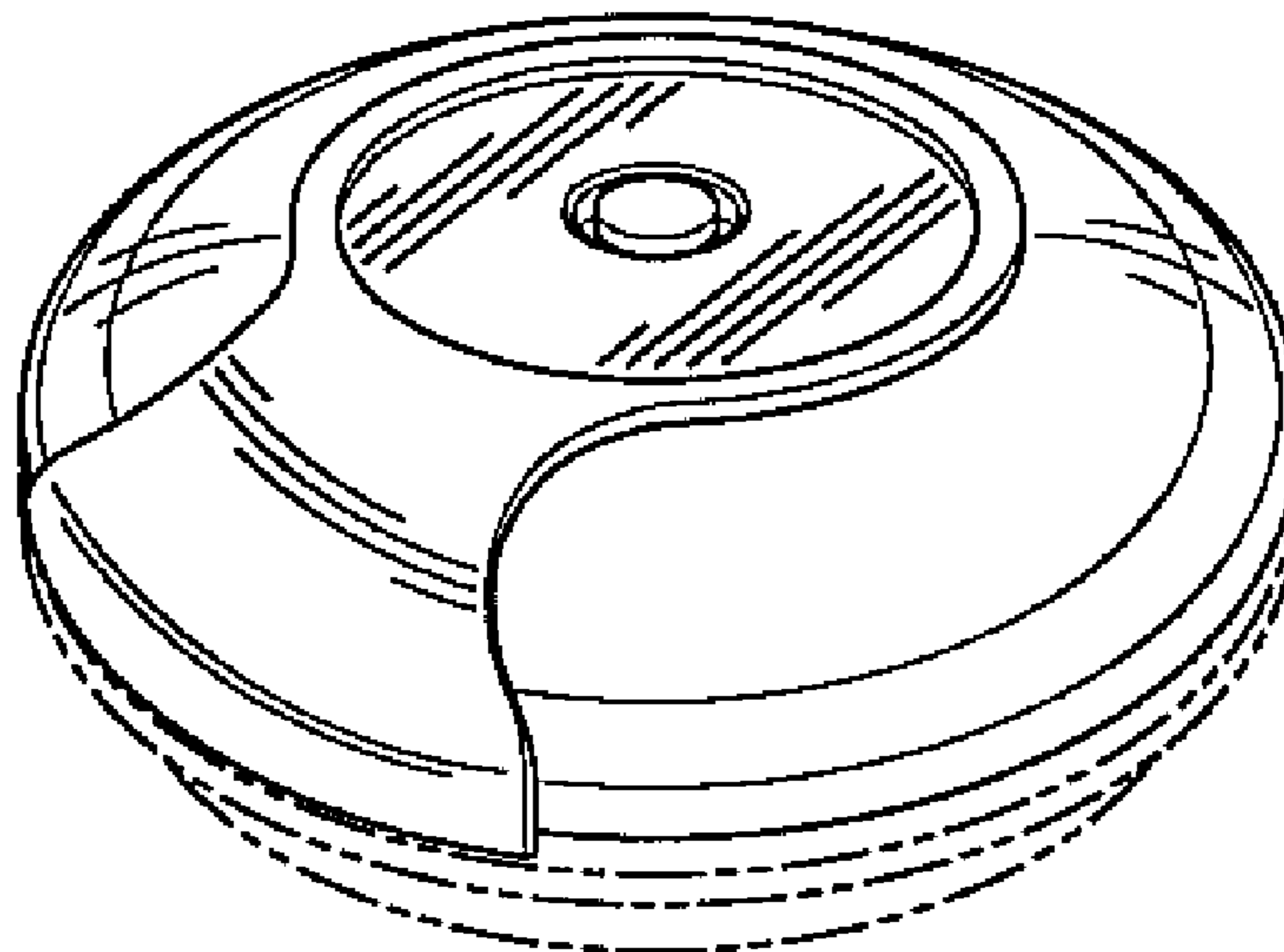
FIG. 4 is a top view of the inventive rotary closure lid depicted in FIG. 1;

FIG. 5 is a side view of the inventive rotary closure lid depicted in FIG. 1;

FIG. 6 is a rear view of the inventive rotary closure lid depicted in FIG. 1; and,

FIG. 7 is a bottom view of the inventive rotary closure lid depicted in FIG. 1.

1 Claim, 1 Drawing Sheet



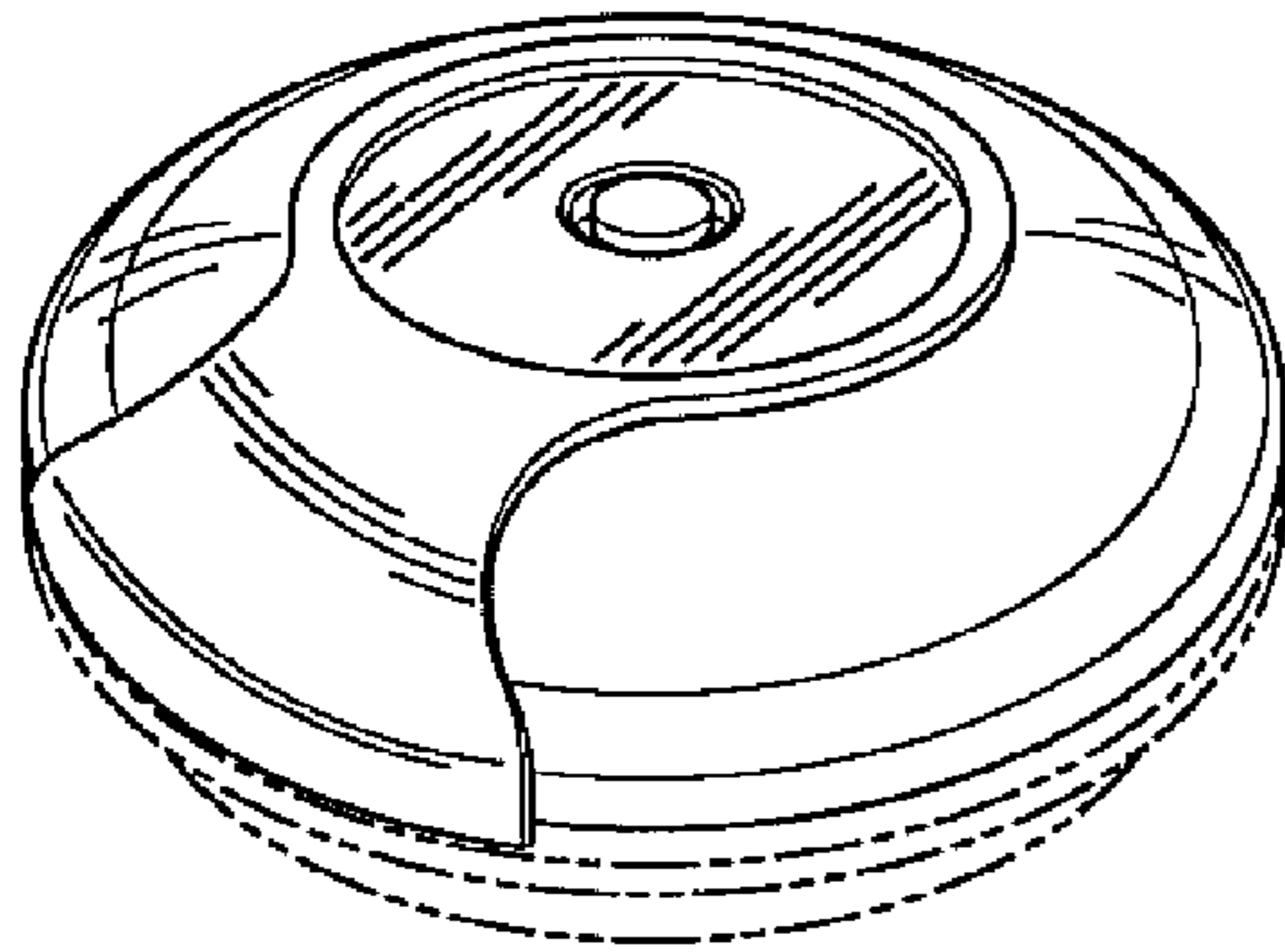


FIG. 1

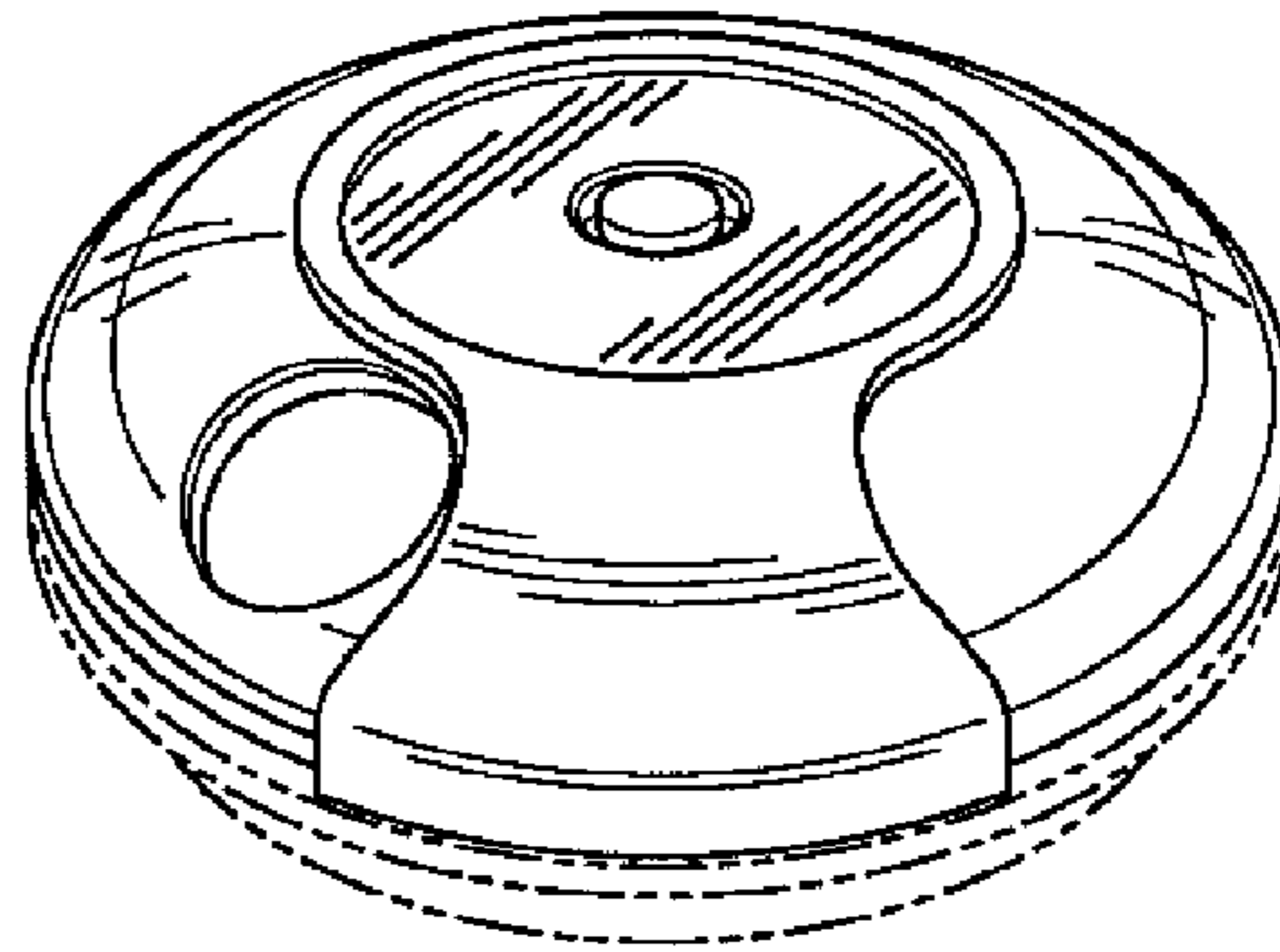


FIG. 2

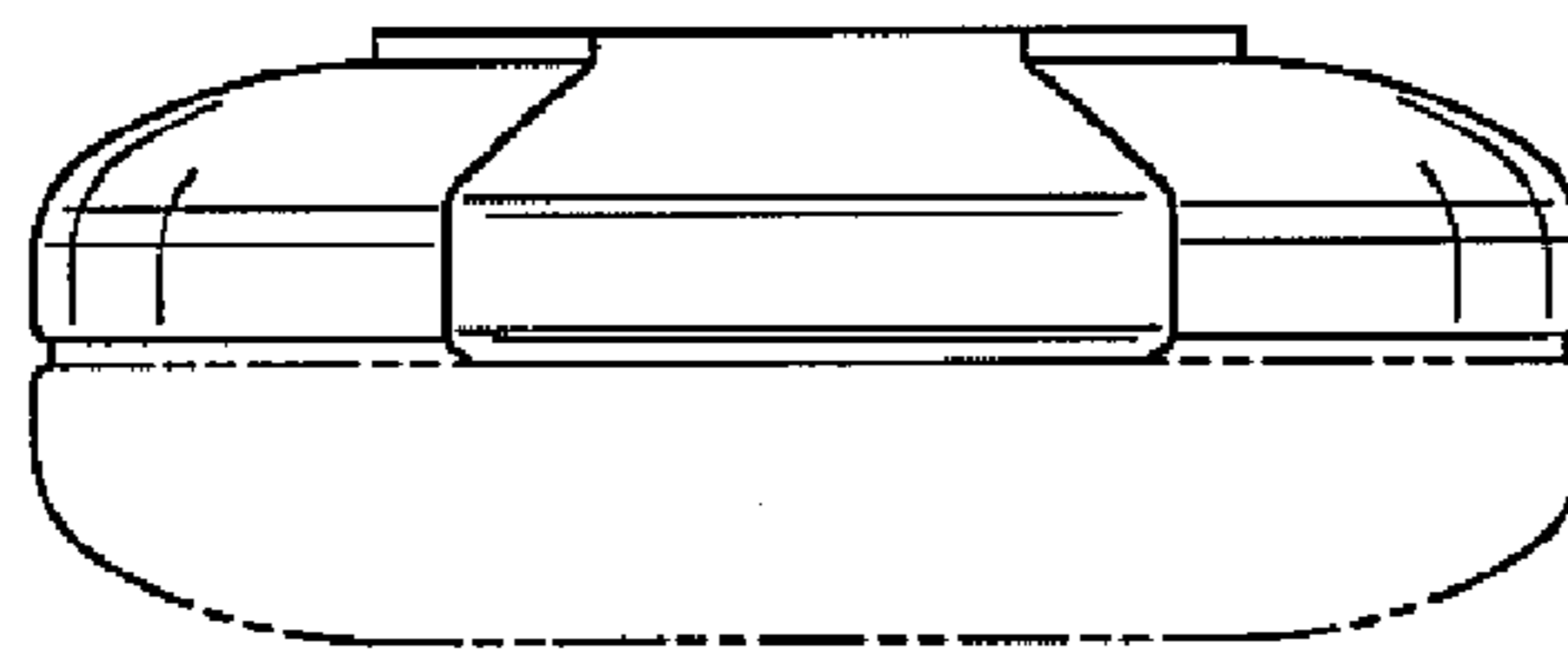


FIG. 3

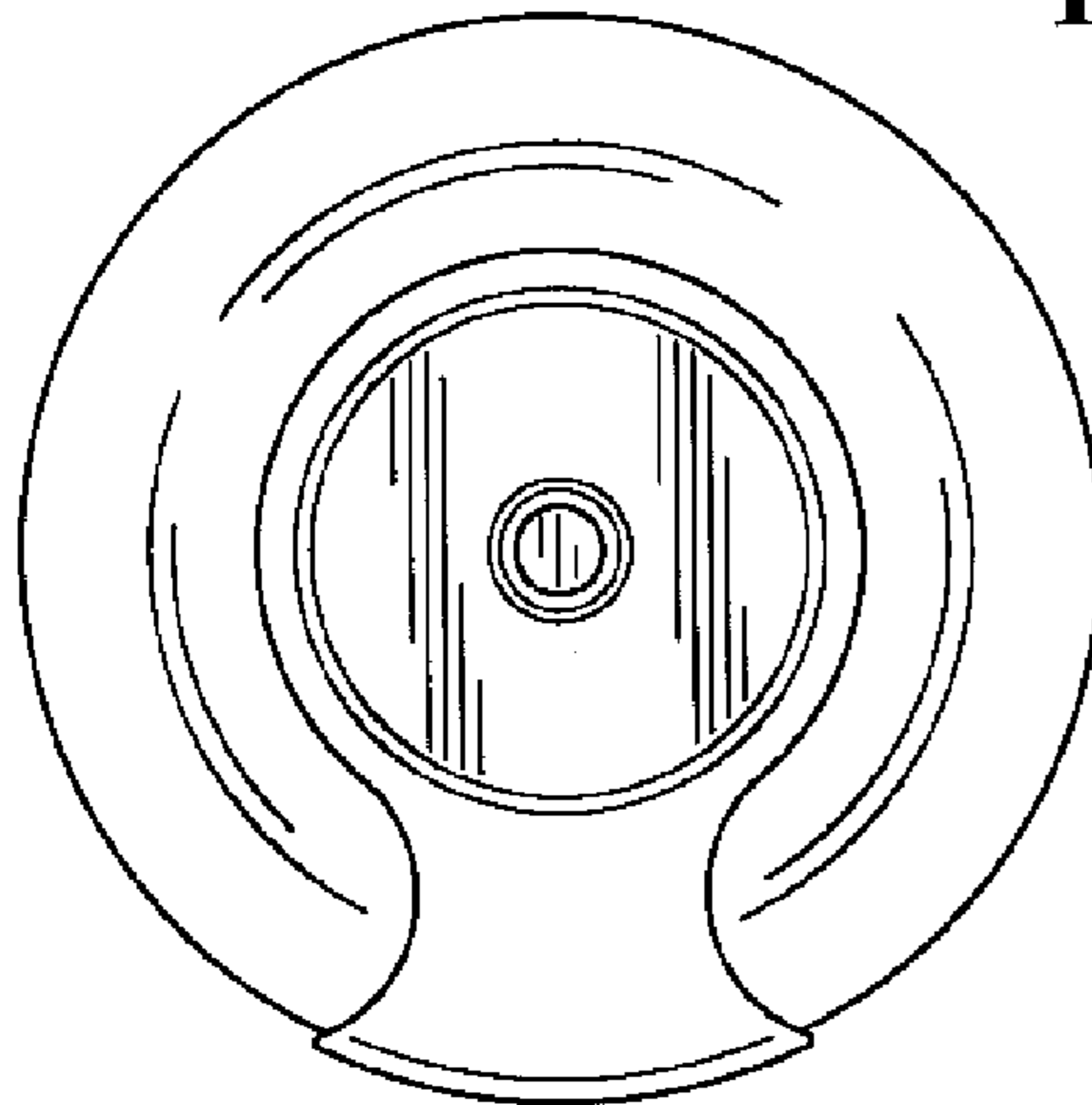


FIG. 4

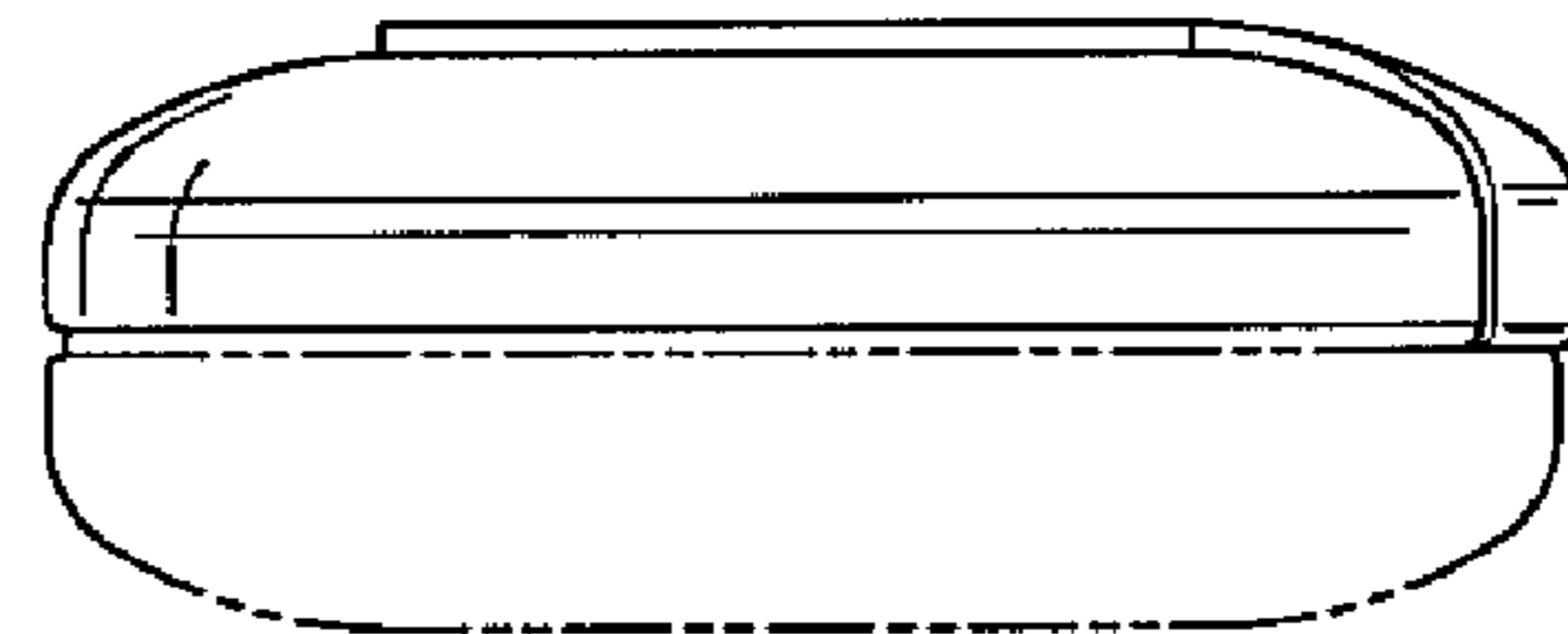


FIG. 5

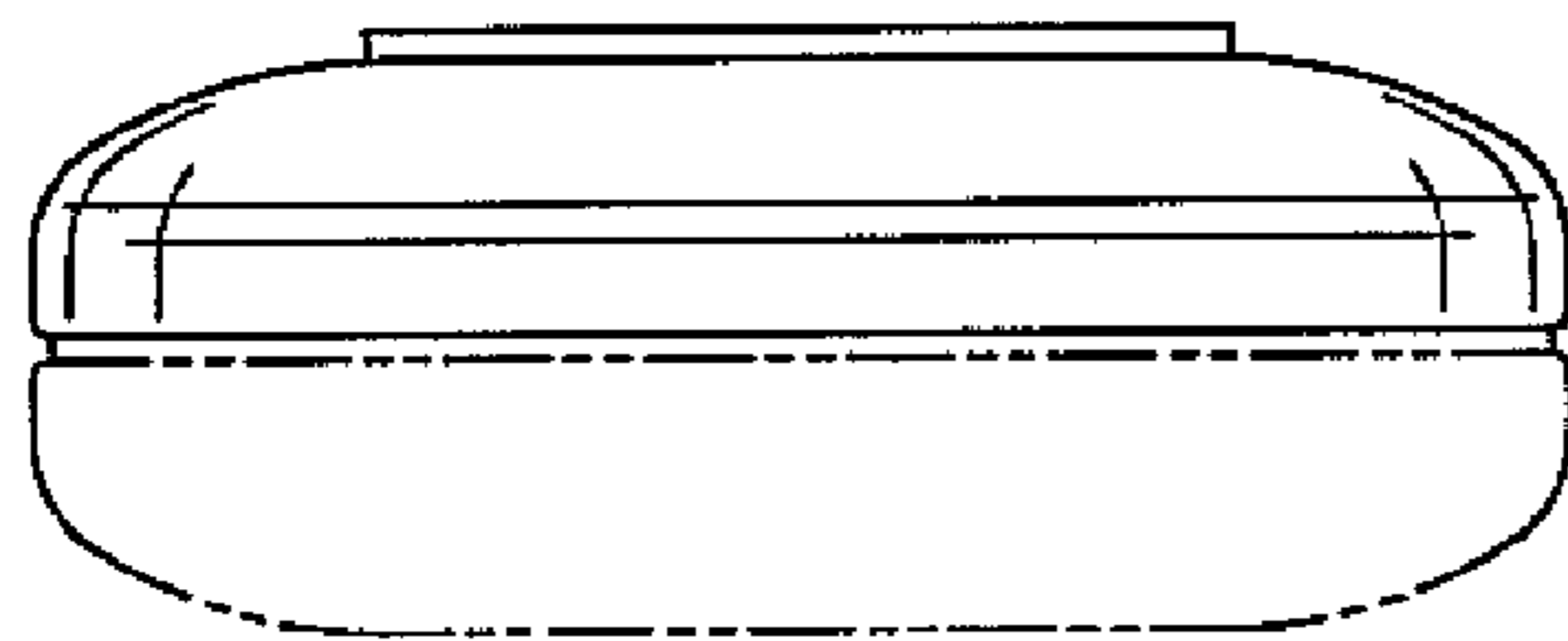


FIG. 6

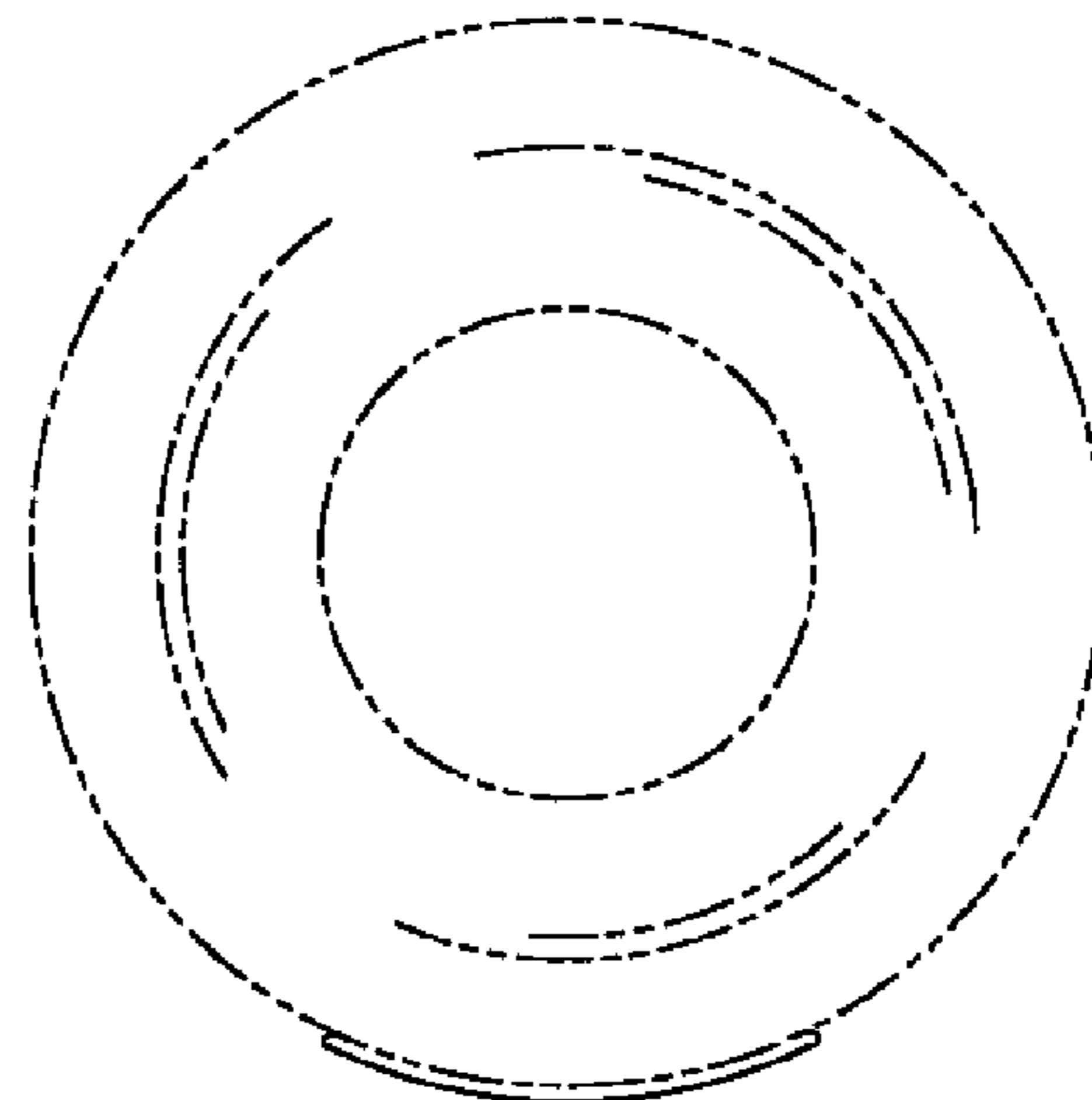


FIG. 7